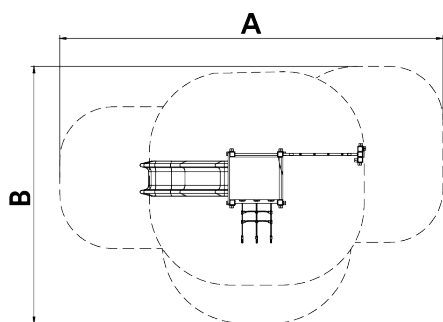


6+

Certified  
EN1176  
product



The REB line is designed with **ecodesign and open playability** criteria in mind. Games made from **ReBnew** plastic profiles, **100% recycled and recyclable**, recovered from the selective collection packaging fraction. Considering that plastic waste takes between 100 and 1,000 years to degrade, this creative reuse promotes circular economy.

**Multigame structure composed of a platform with different access for climbing and descending (climbing net and inclined climbing ramp), polyethylene slide and roof.**



A=7250mm  
B=4800mm



25.34m<sup>2</sup>

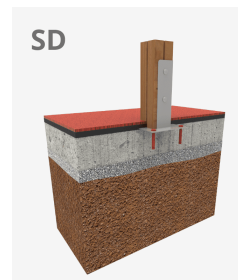


0.90m

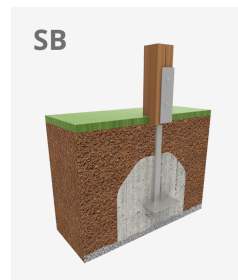


7

SD



SB



## Materials:

**Structure, Structural Panels, ReBnew:** 100% recycled plastic material with a dark ochre or light gray tone applied to give the material a colored mass. This, together with its irregular surface finish, makes the board extremely durable as it perfectly conceals possible scratches caused by acts of vandalism. It does not require maintenance, does not splinter or crack, and does not rot or dry out.

- Weather resistance.
- Resistant to oils, acids, and seawater.
- Does not degrade. Does not splinter.
- Antigraffiti.
- Resistant to moisture, does not absorb water, quick drying.
- ECOLOGICAL, it comes from recycled material and is also recyclable.
- Long service life.
- 100% Recyclable.
- Without pollutants.
- Manufactured from high-quality recycled plastics.

**Decorative Panels, ECOPLAY:** HDPE produced with recycled material. High-Density Polyethylene that is characterised by its resistance to chemical abrasives and is not affected by corrosion as it is a polymer. Due to its elasticity and lightness, it offers high impact resistance, making it very difficult to break.

**Metal parts, DurPint:** Steel with thermoplastic coating PPA 571 with a thickness of 400 µ.

**Fixings:** electro galvanised and stainless steel quality 8.8 DIN267, AISI-304.

- None of the materials requires a specific treatment for its disposal.
- If the product is subject to severe use, maintenance should be increased.
- Don't use the product before the installation/maintenance is ready.
- Please check the maintenance instructions.

Biggest part (mm): 4980x4750x1960 / Heaviest part (kg): 740

**IMPACT ZONE:** Required safety surface. It is advised to coat the floor according to the EN1176-1:2017 standard.

Spare parts availability: 10 years.

Ground anchoring screws not included.

## Playful features:

