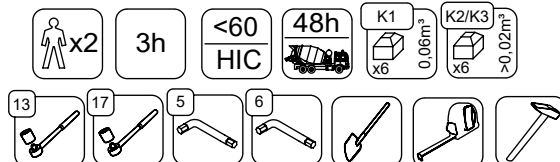
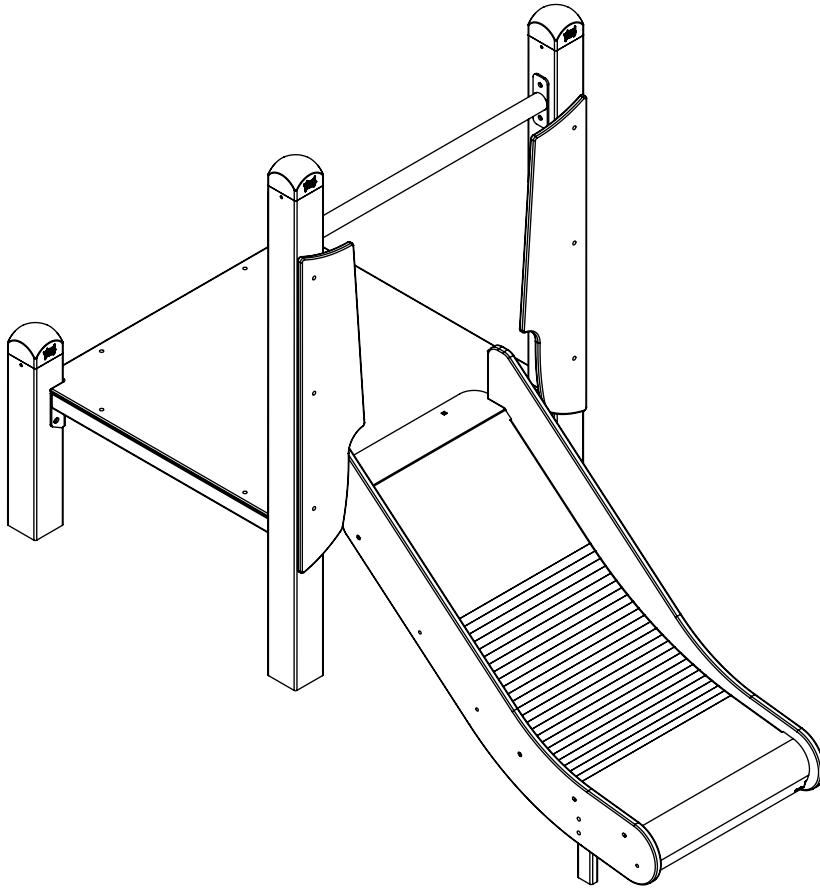
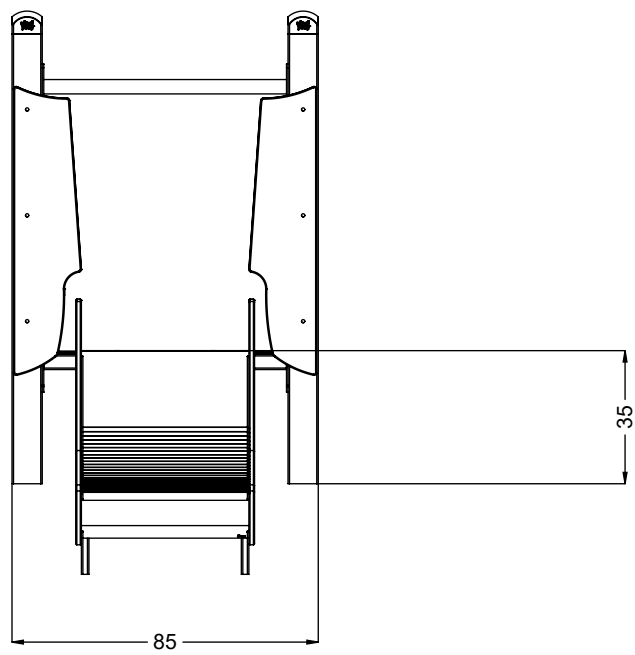
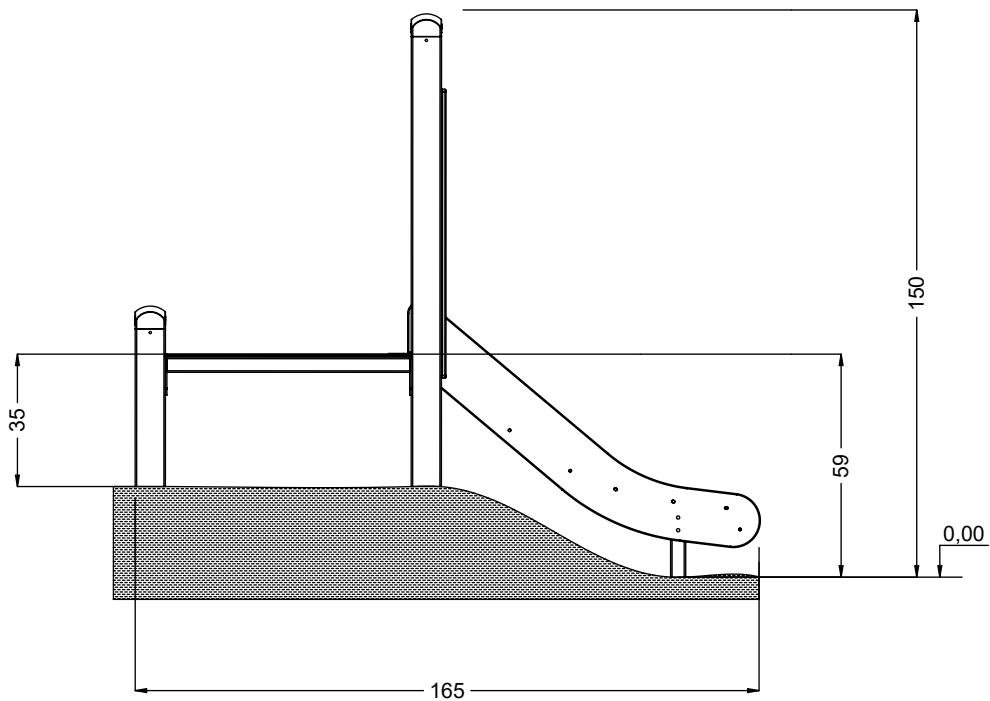
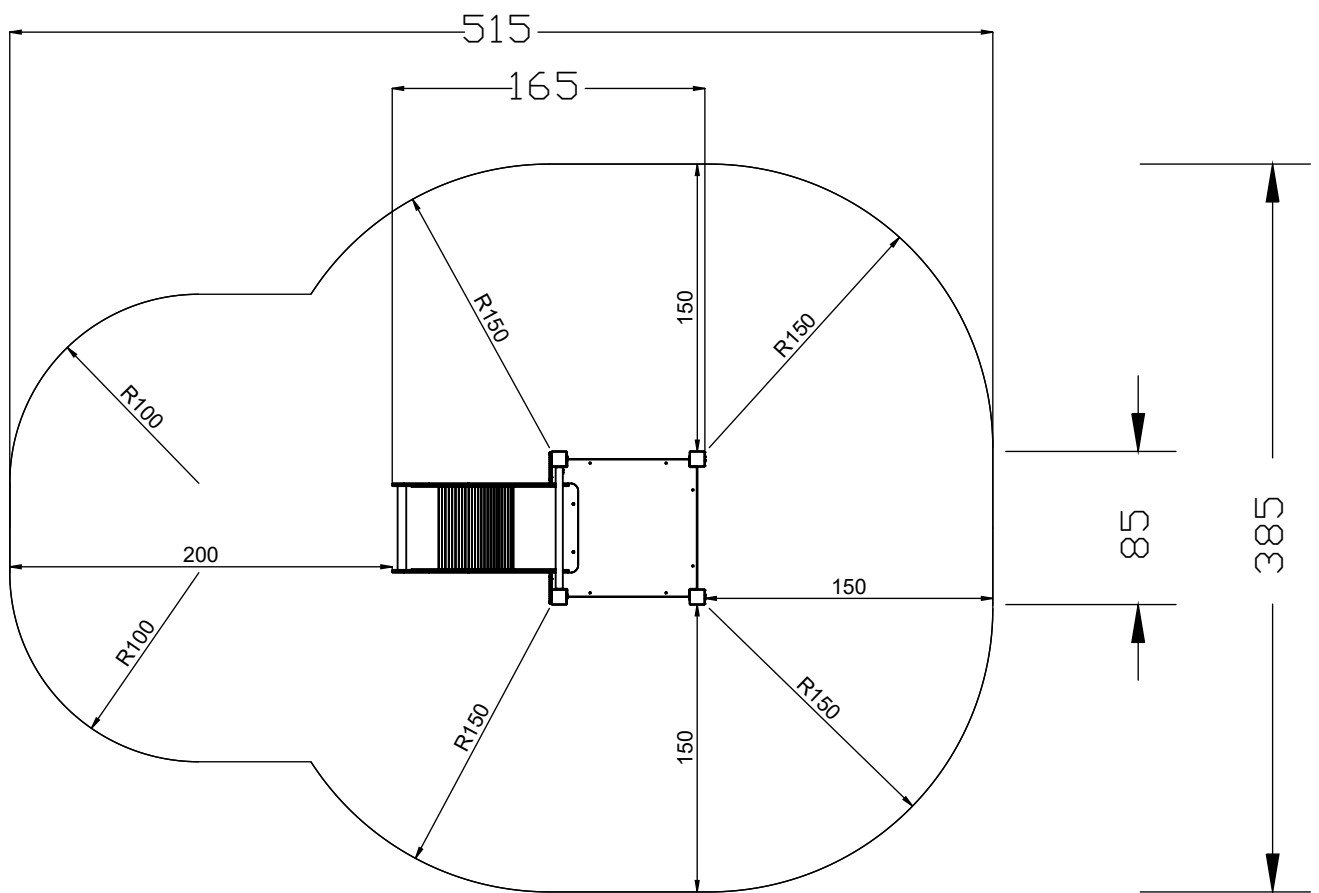


# 1751

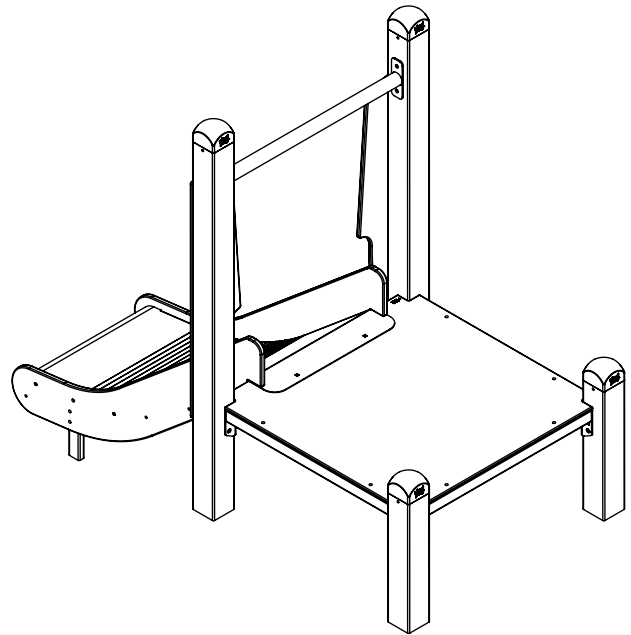
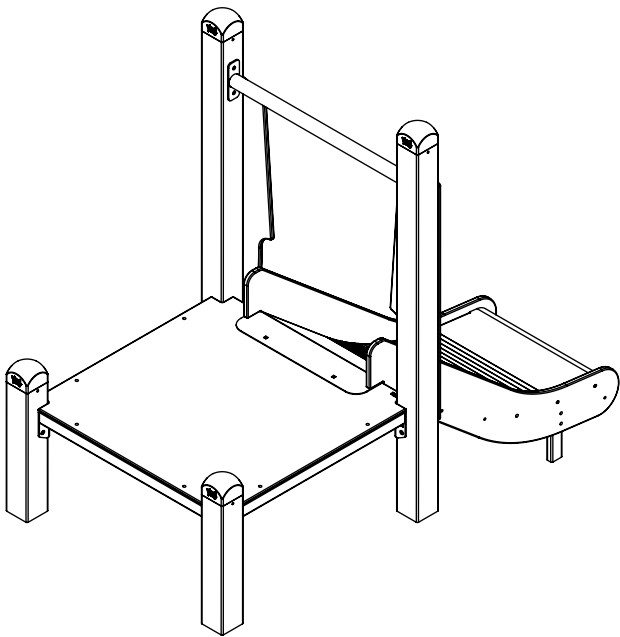
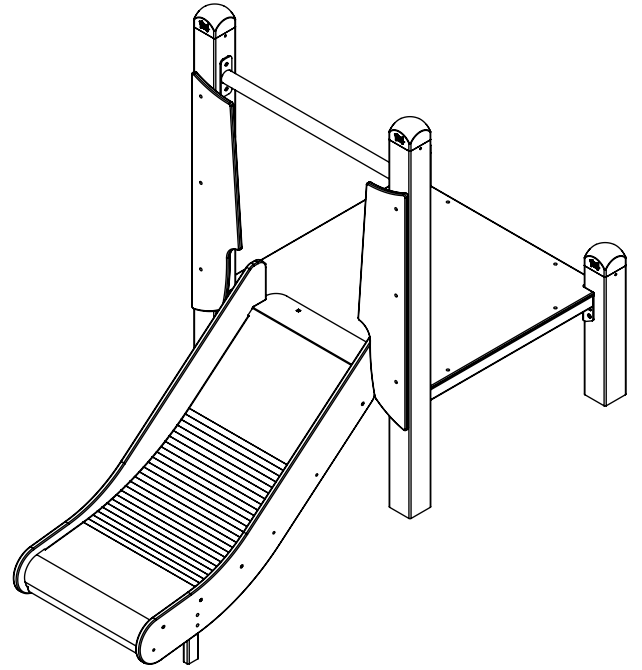
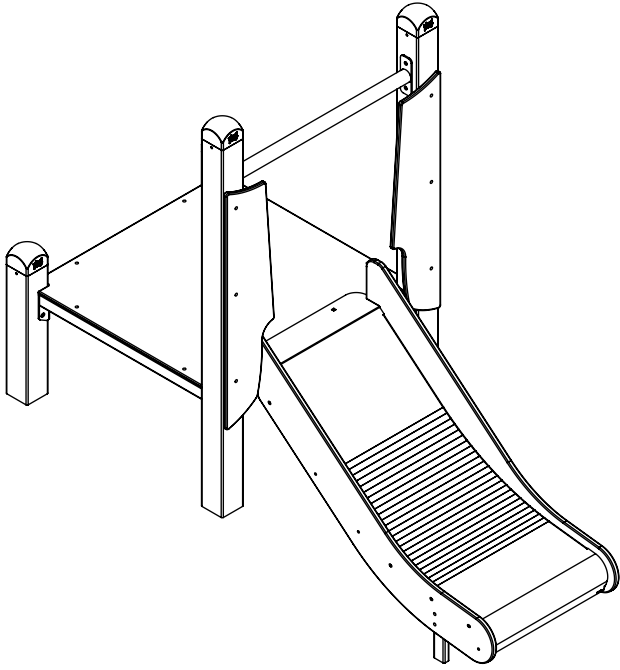






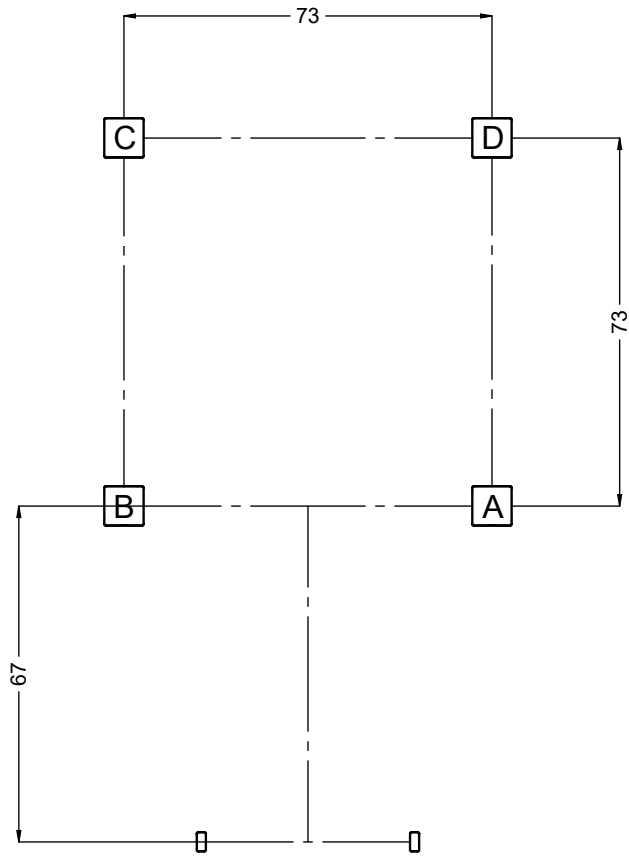
[cm]

vinci  
play

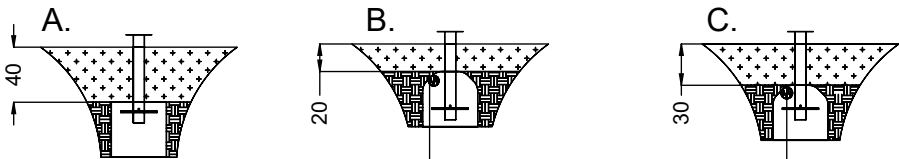


[cm]

vinci  
play

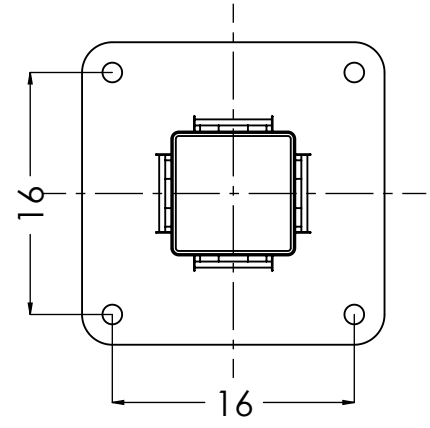
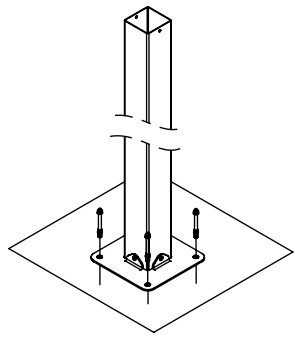
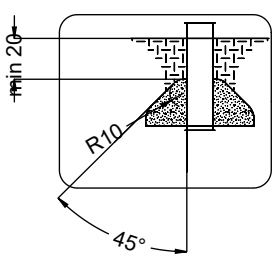


**48h**



**K1**  
  
 x6 0.06 m<sup>3</sup>

**K2/K3**  
  
 x6 0.02 m<sup>3</sup>



**K2**

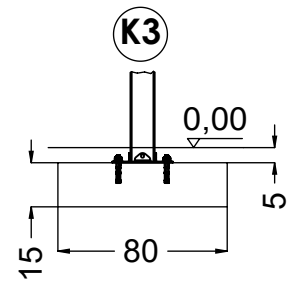
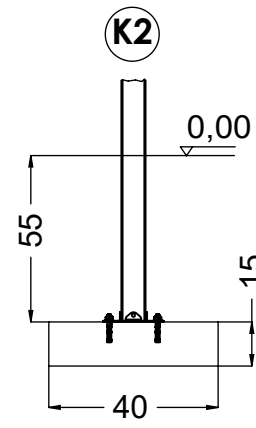
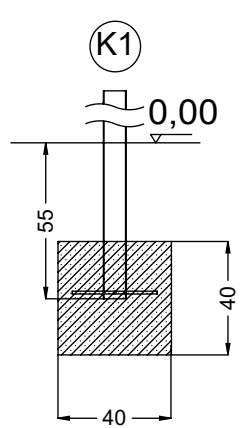
M10x120 x16

**NOT INCLUDED**

**K3**

M10x120 x16

**NOT INCLUDED**

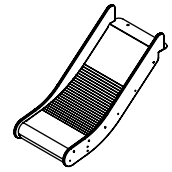
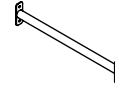
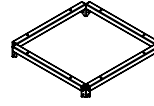


[cm]

vinci play



173144(A) 173145(B) 173146(C) 173147(D)  
x1 x1 x1 x1



172100 142117 994108  
x1 x1 x1

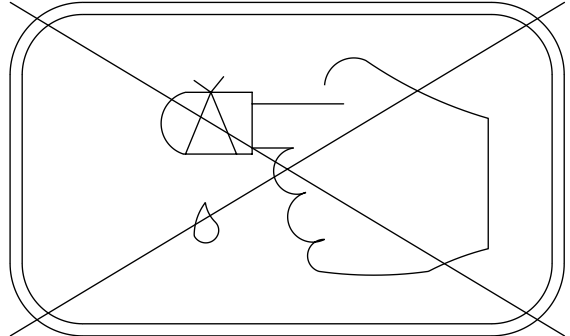
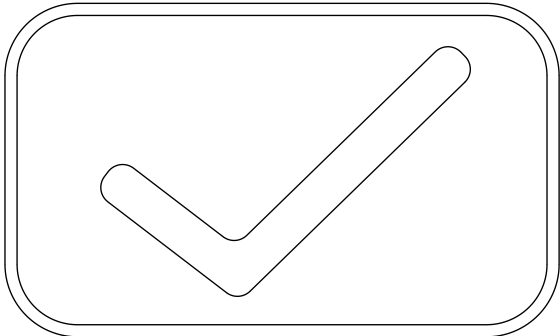
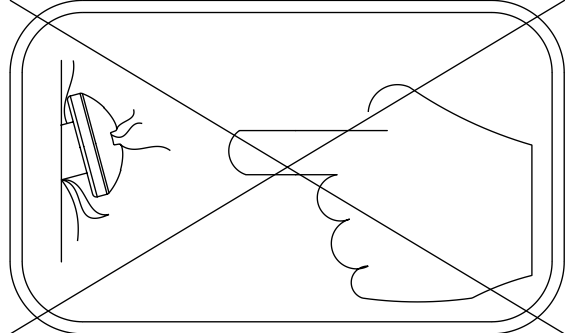
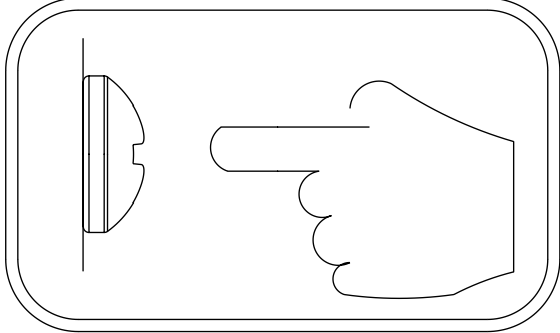
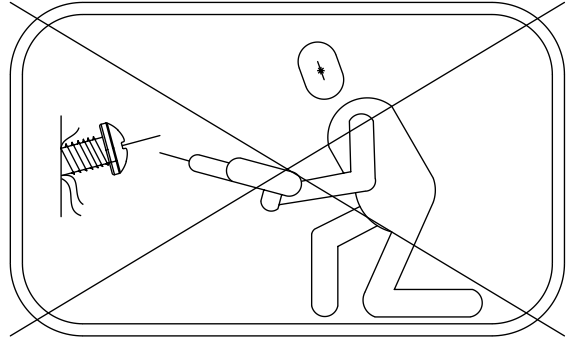
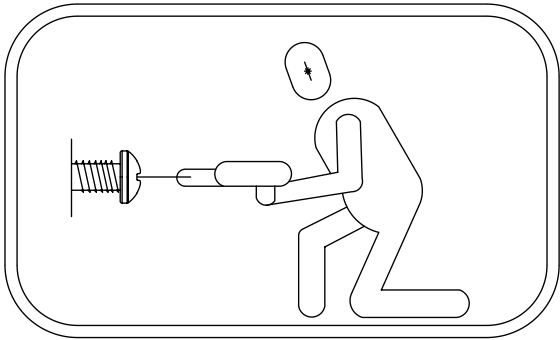
S1  171122 x1	S6  171234 x1	 171233 x1	 171112 x2
------------------------	------------------------	------------------	------------------

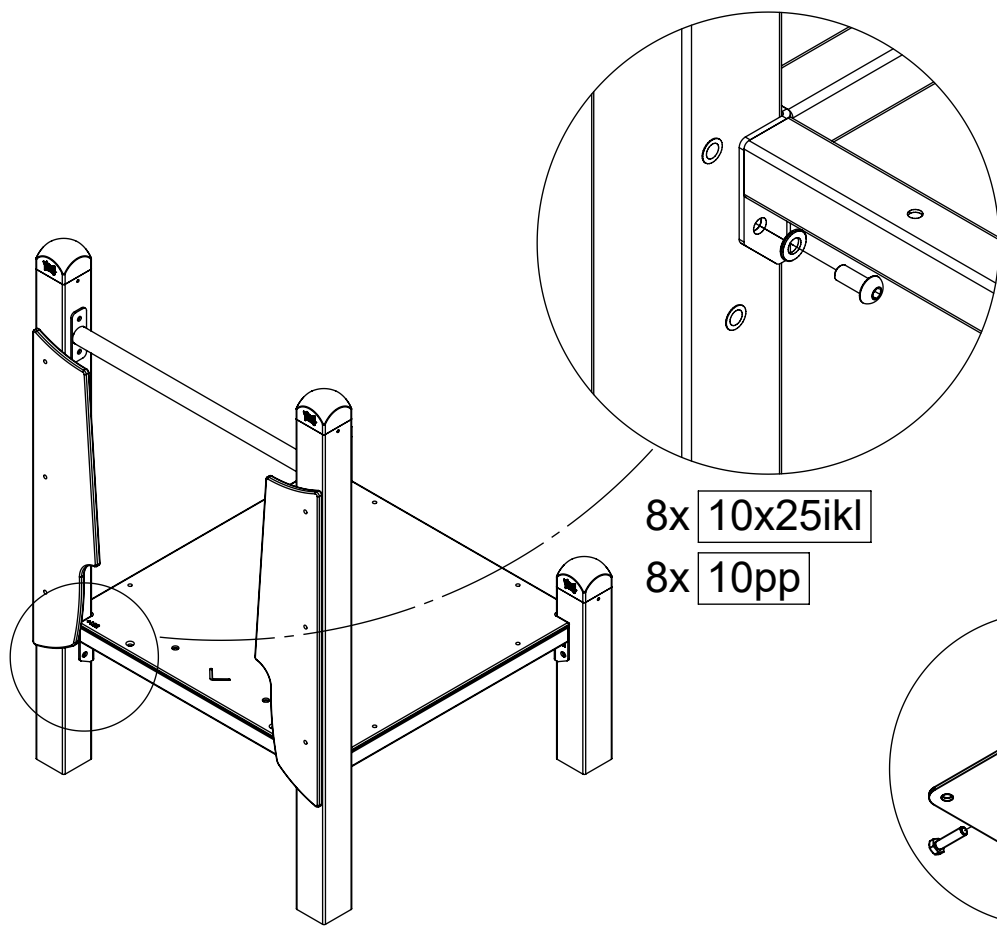
K2, K3  b231 x4	K3  b219-2 x2	K1, K2  P78-3 x2
--------------------------	------------------------	---------------------------

				<b>K3</b>
173148(A)	173149(B)	173150(C)	173151(D)	
x1	x1	x1	x1	

Qty.	ST/INOX
16	10 pp (K2,K3)
16	10 nh (K2,K3)
16	10x20 m (K2,K3)
12	10x25 ikl
8	10 pp
6	8x25 ikl
1	E34 (K1,K3)
1	E35 (K2)
1	V001

Qty.	HPL
1	17p005
1	17p017(s1)
1	17p019(s6)
1	17p061(s6)

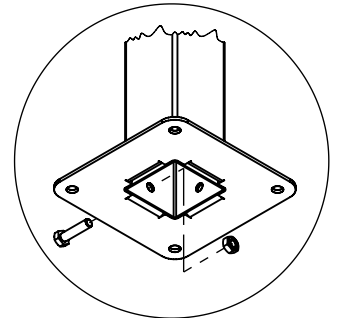




8x 10x25ikl

8x 10pp

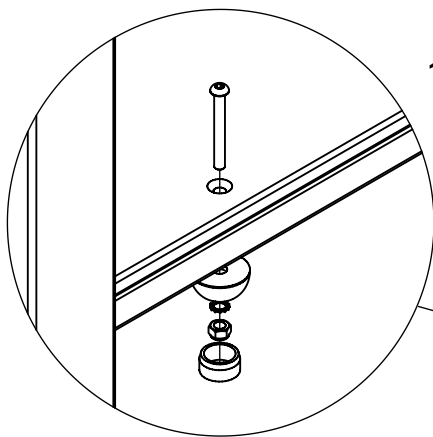
K2, K3



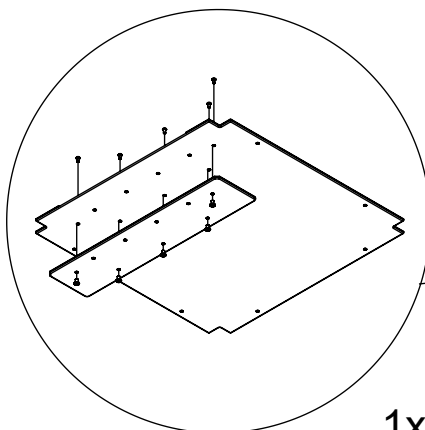
16x 10x20m

16x 10pp

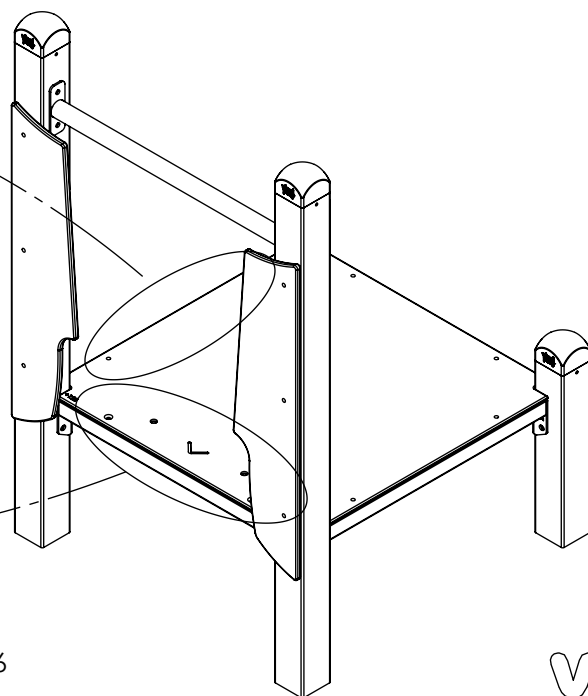
16x 10nh

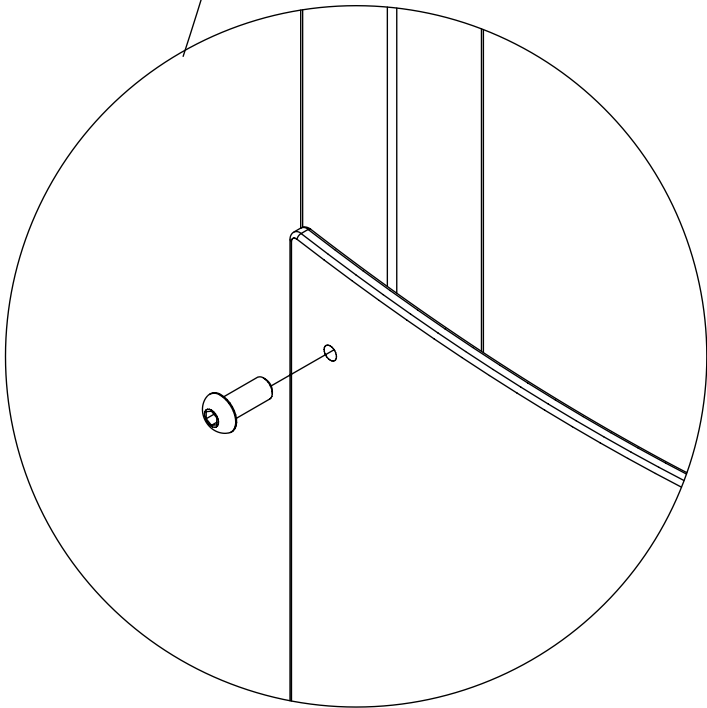
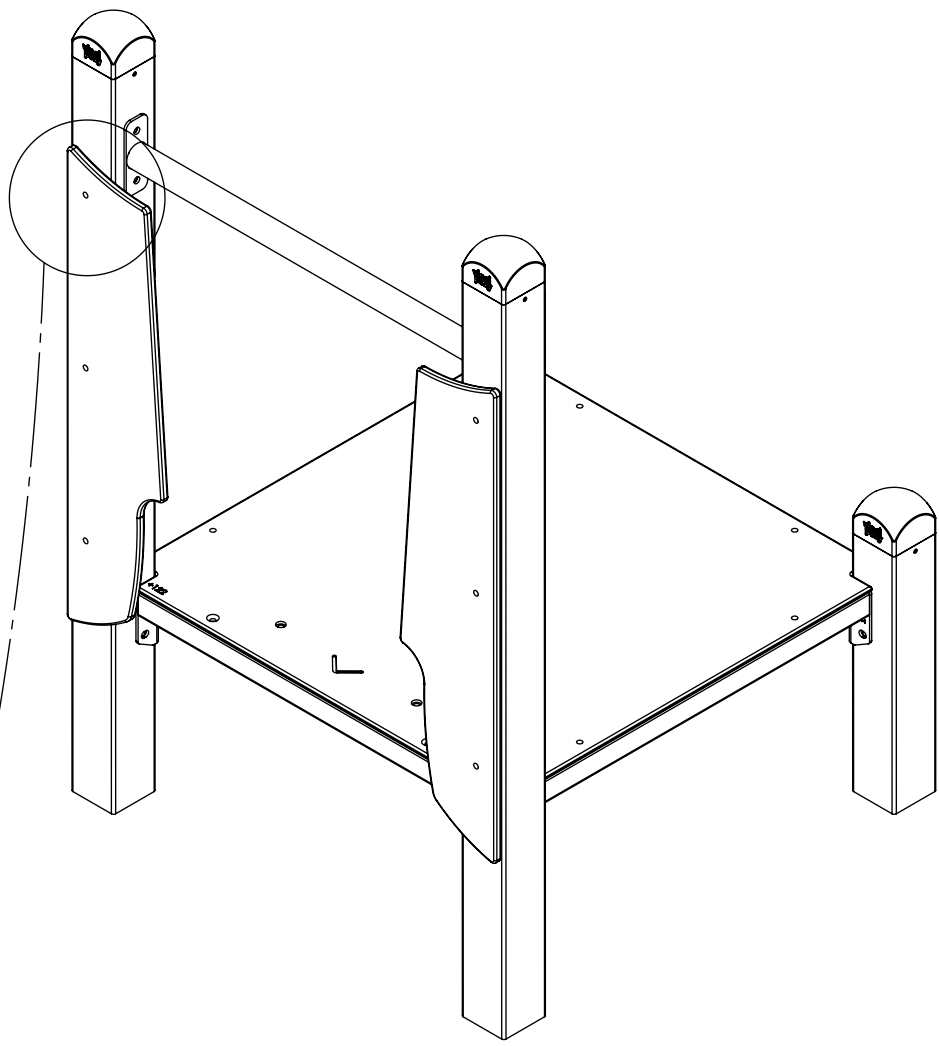


1x 17p005



1x 17p061<sup>S6</sup>

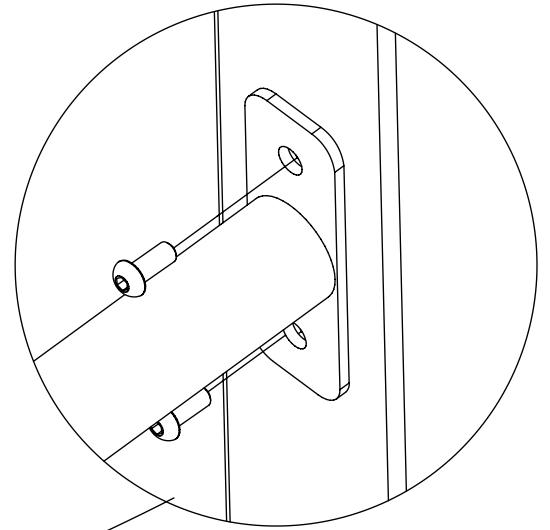




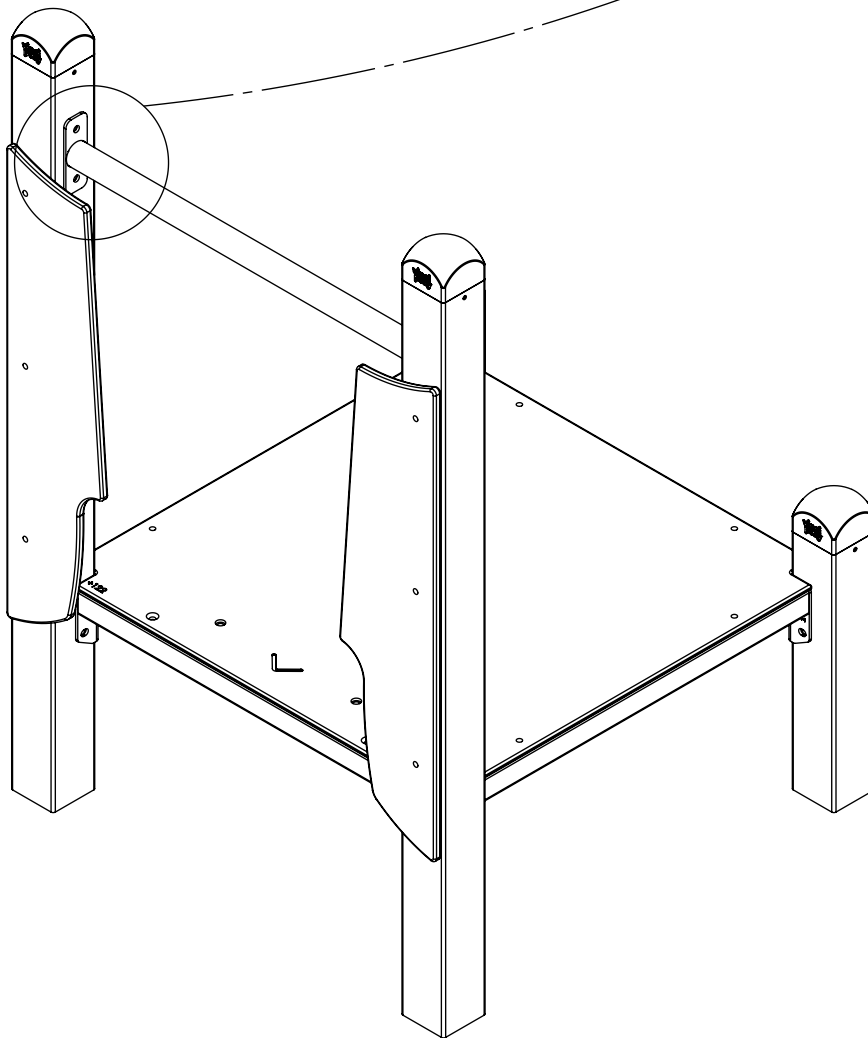
6x 8x25i<sup>kl</sup>

[cm]

vinci  
play

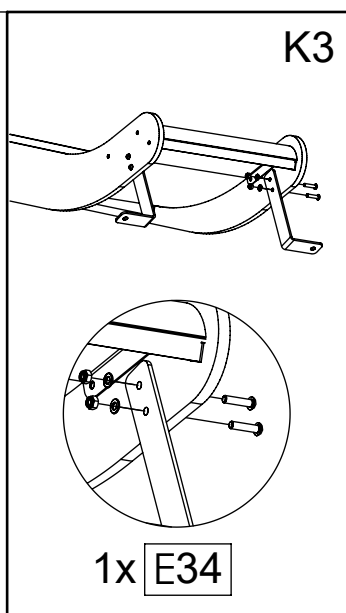
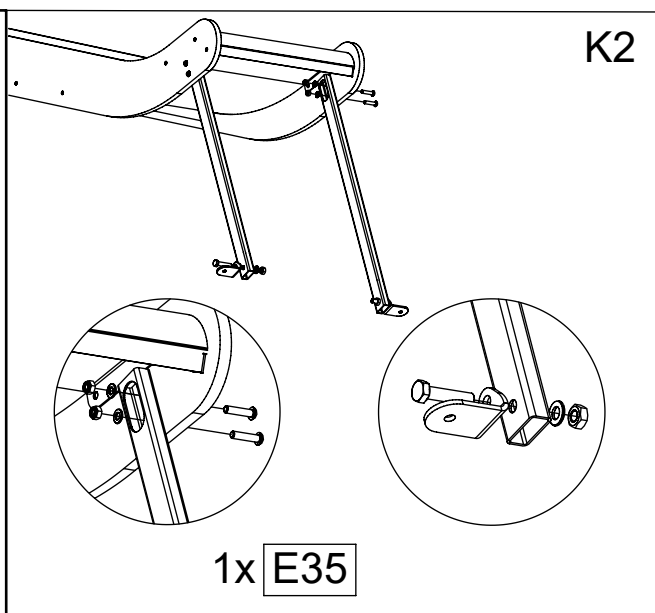
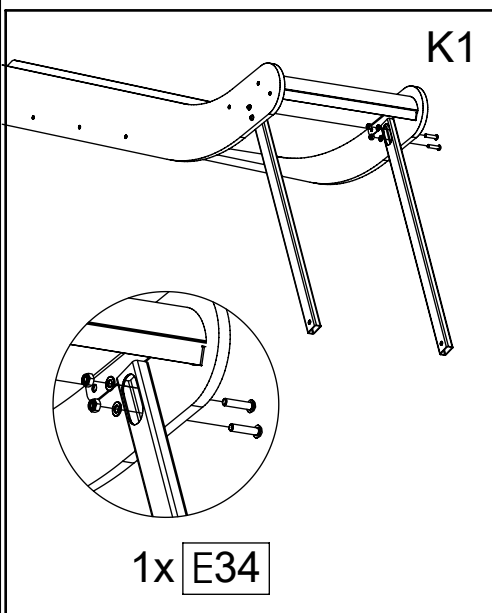


4x 10x25ikl

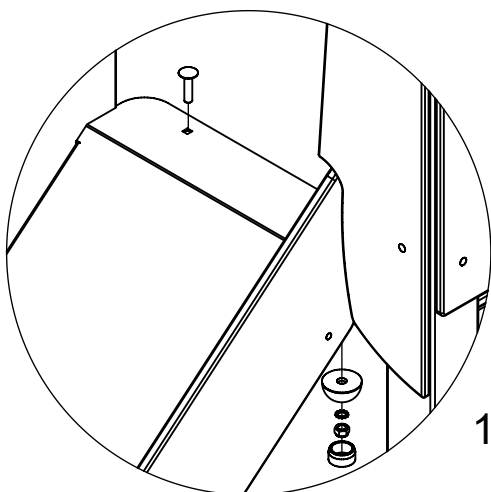
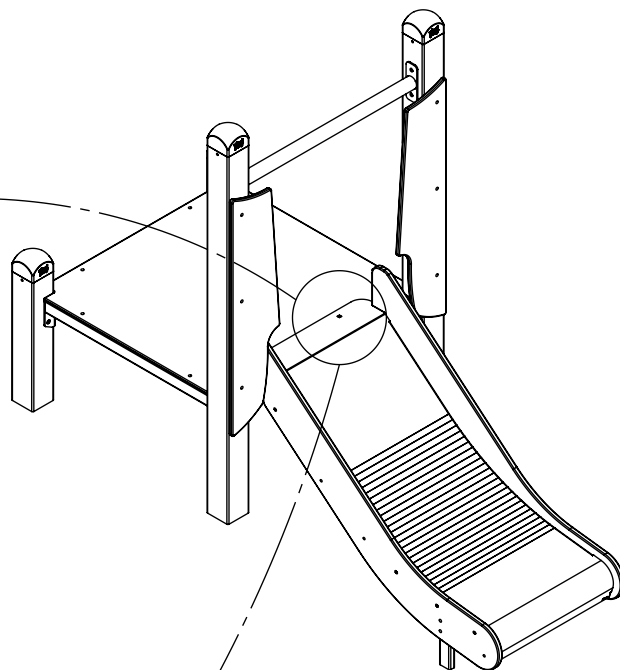
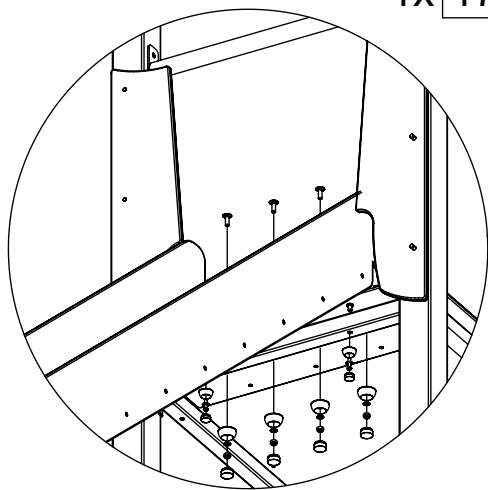


[cm]

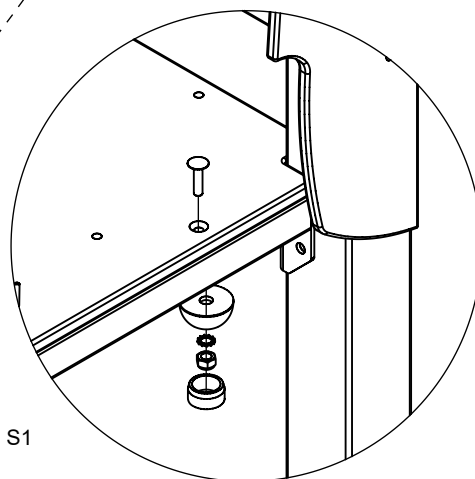
vinci  
play



1x 17p019<sup>S6</sup>

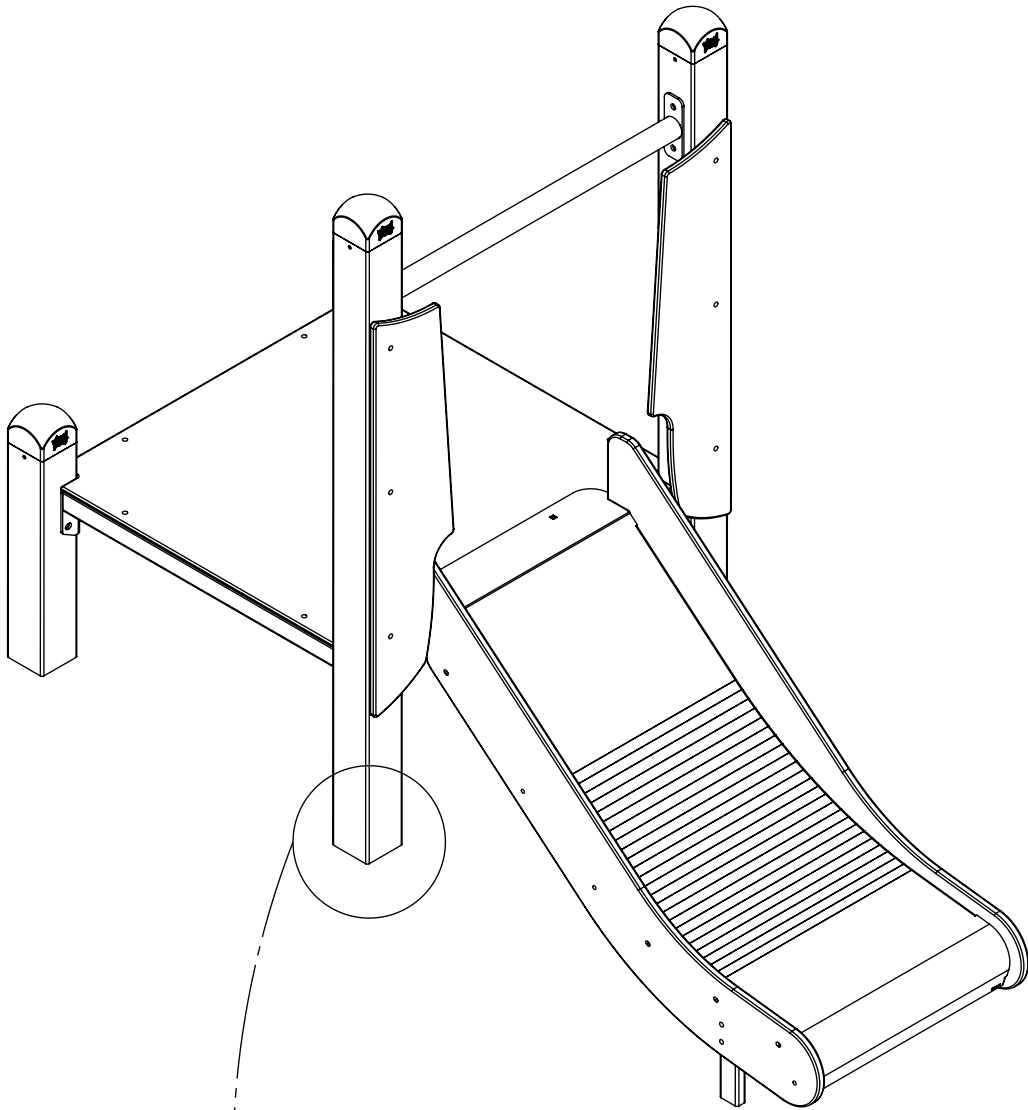


1x 17p017<sup>S1</sup>



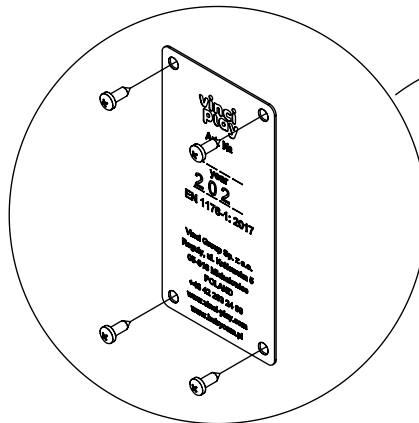
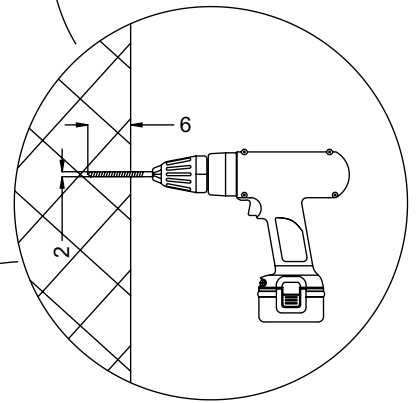
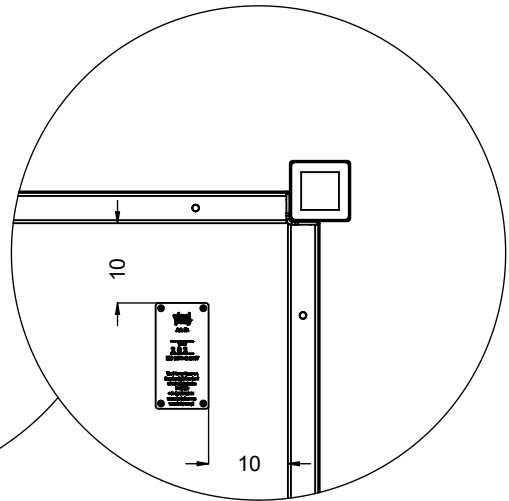
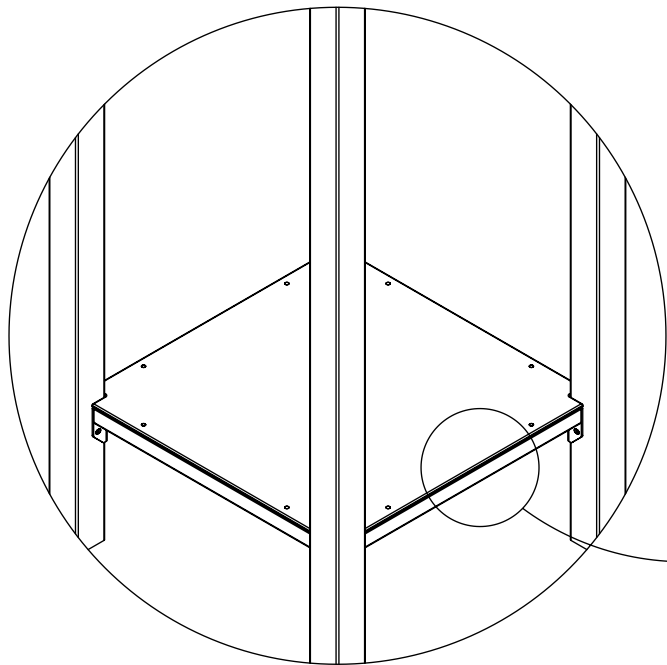
[cm]

vinci  
play



[cm]

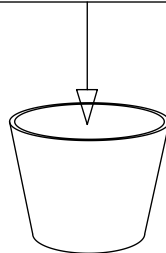
vinci  
play



V001

Part No:  
000000-  
00000

000000-00000



[cm]

vinci  
play