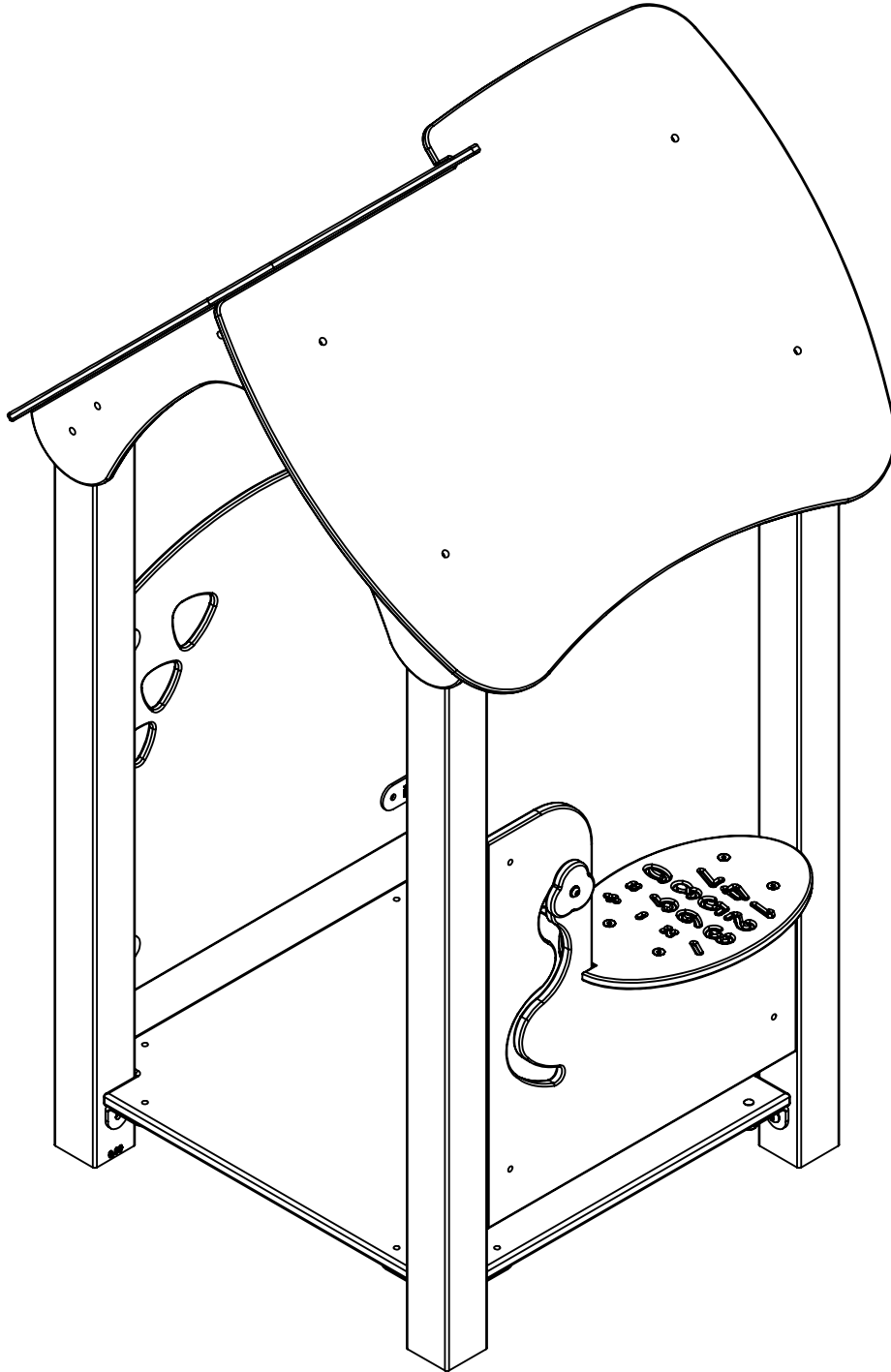


0100



2h

<60
HIC

48h

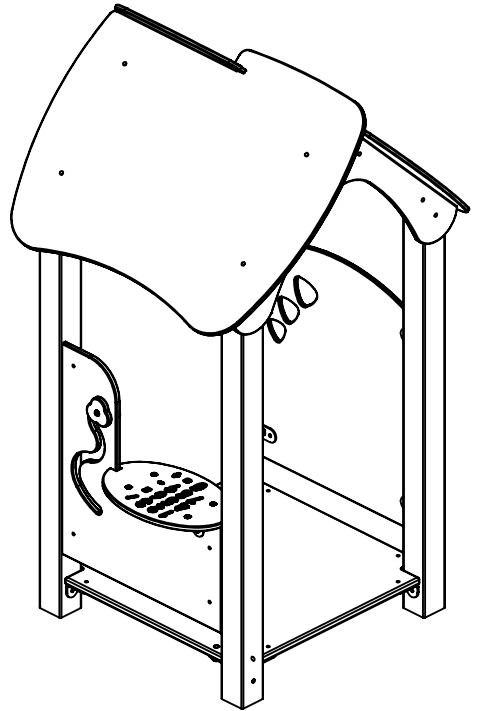
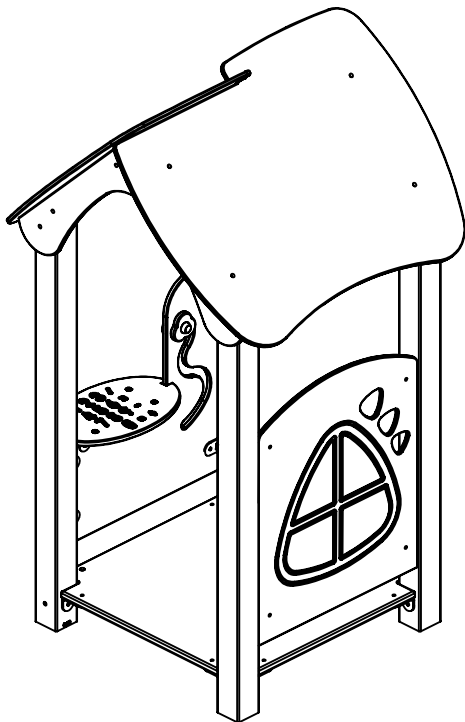
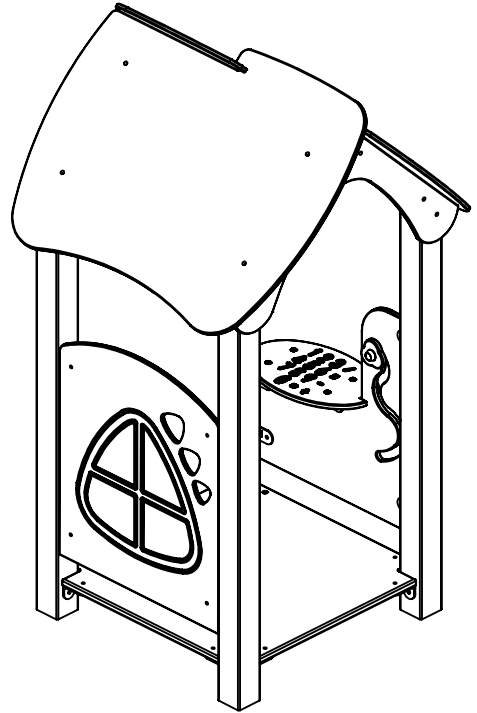
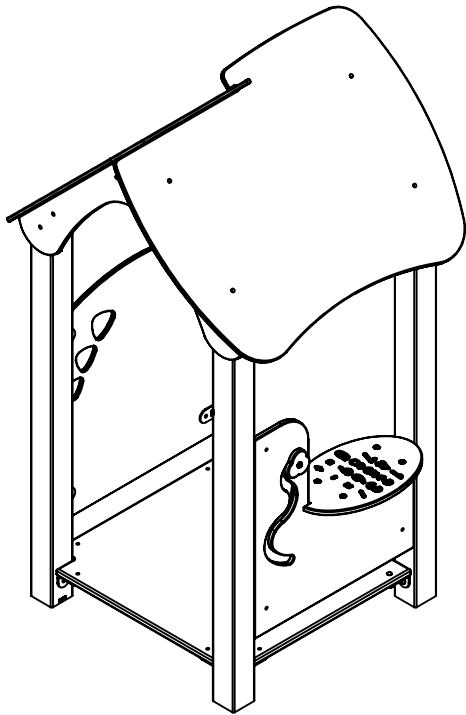
x4 0,06 m³

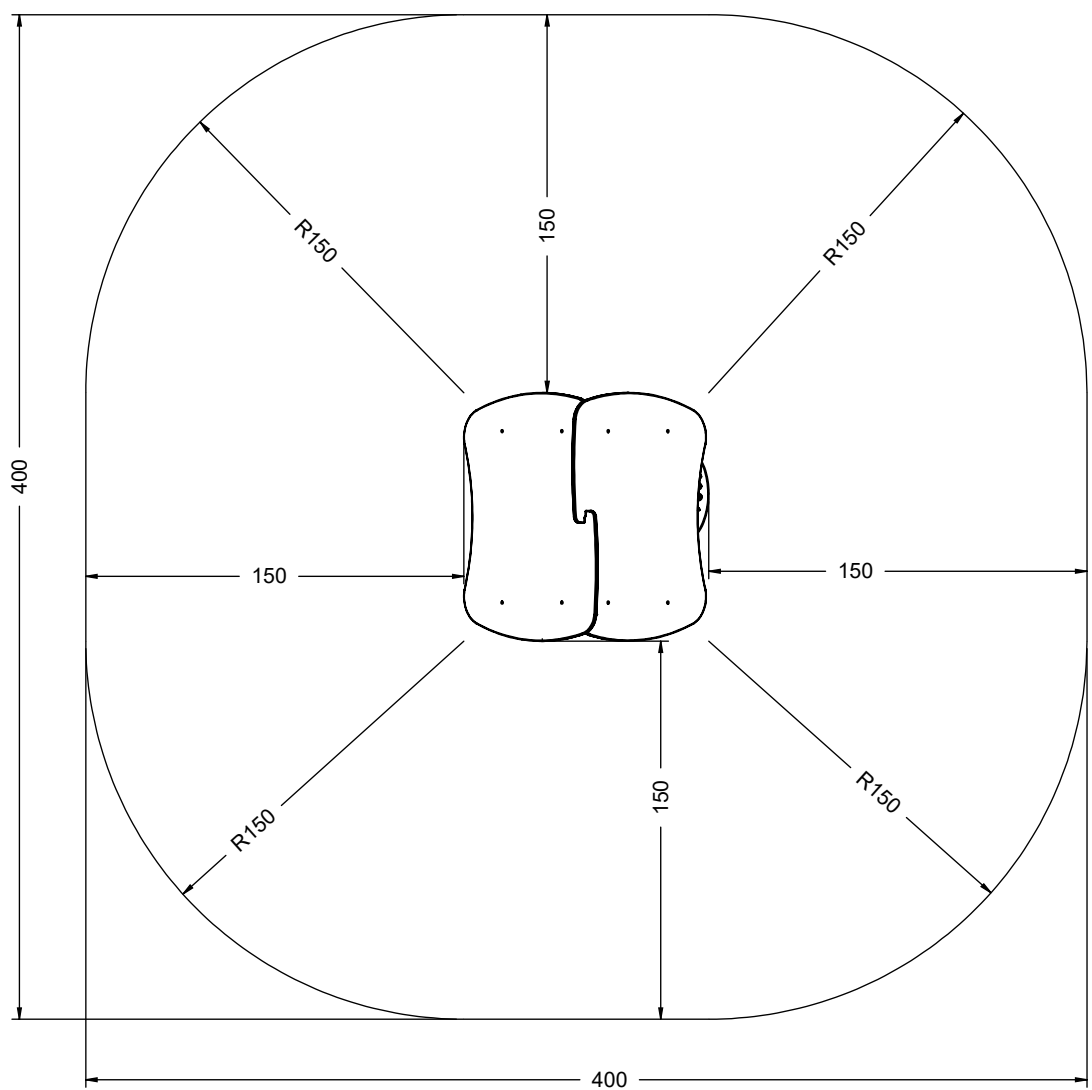
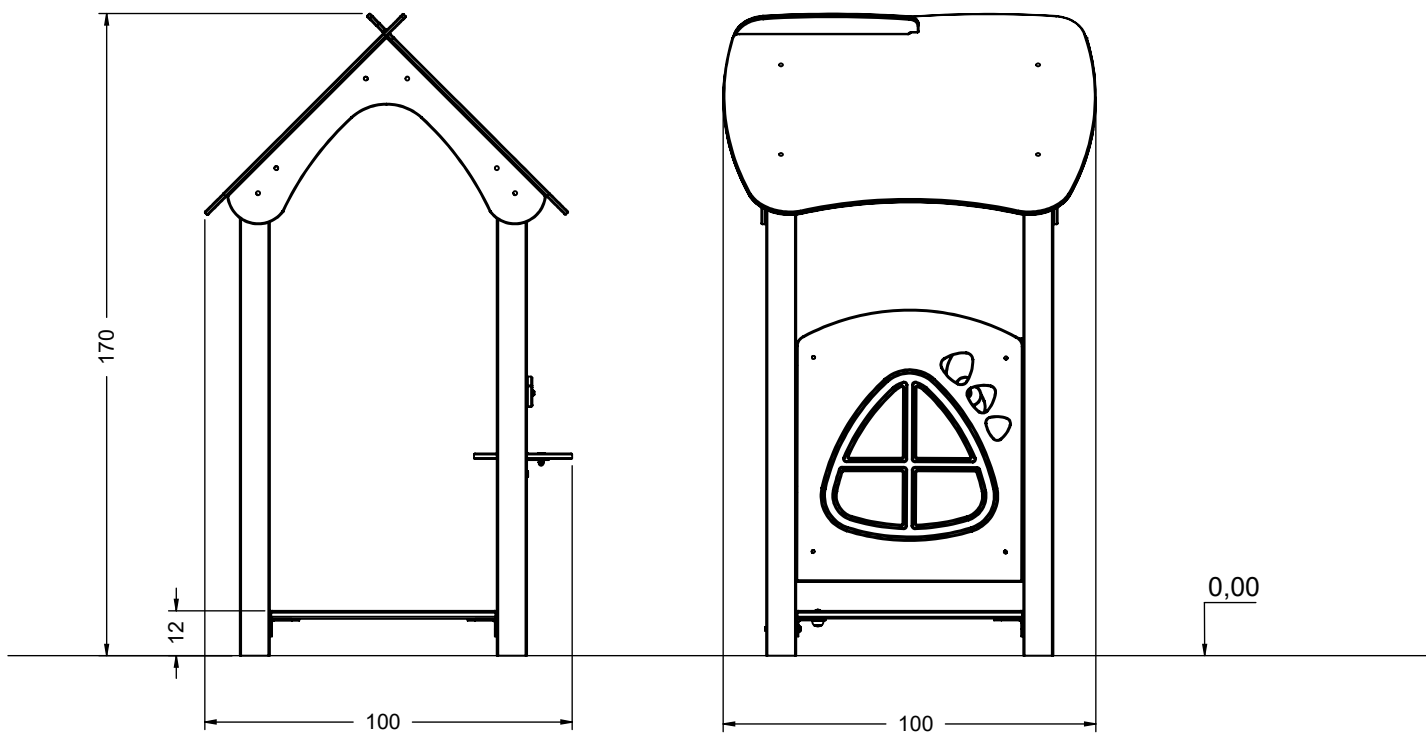
K2/K3
x4 ~0,10 m³



v013
14.04.2023
K.M.
[cm]

vinci
play

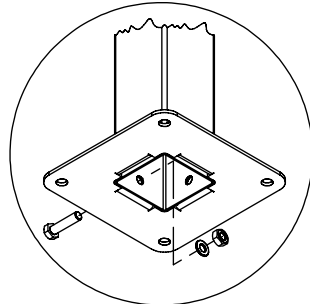
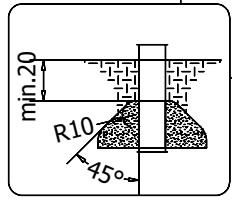
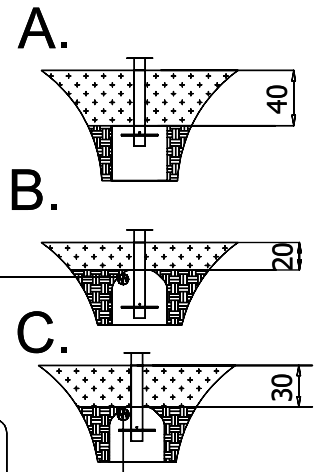
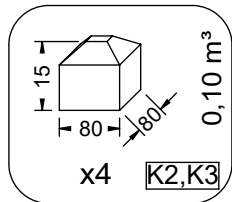
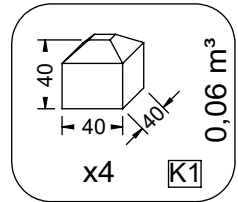
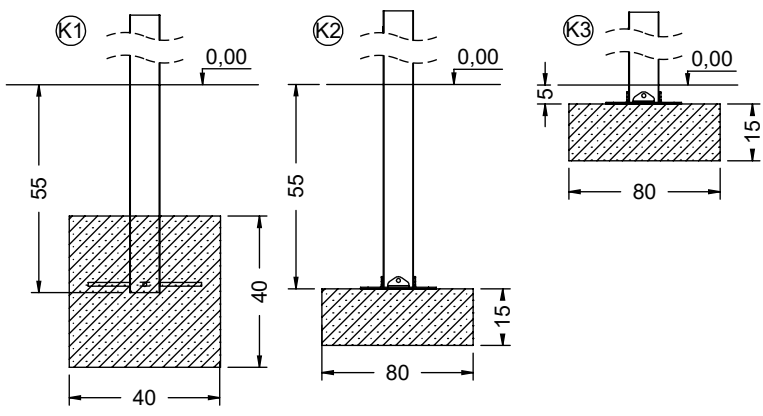




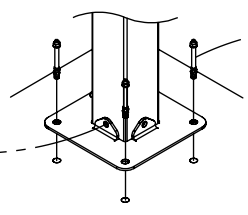
[cm]



vinci
play



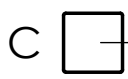
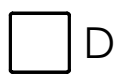
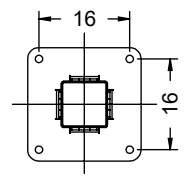
E37



16x M10x120 (K2)
16x M10x120 (K3)

Ø10

NOT INCLUDED



68



68

[cm]

vinci play



100 A
x1



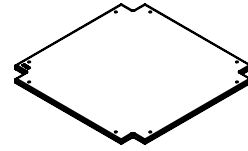
100 B
x1



100 C
x1



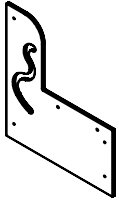
100 D
x1



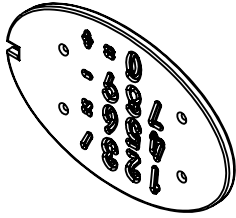
011225
x1



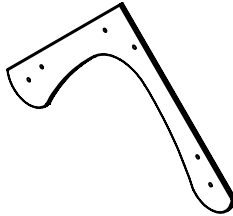
011105



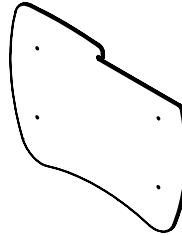
011122
x1



011154
x1

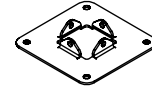


011119
x2



011143
x2

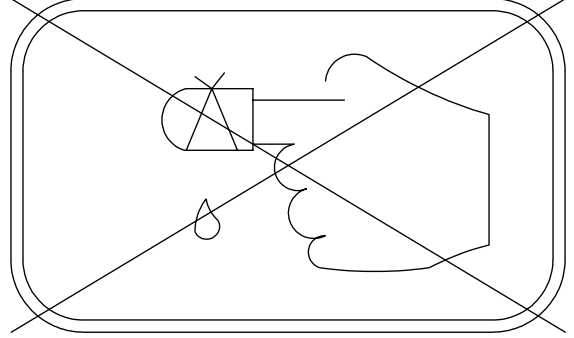
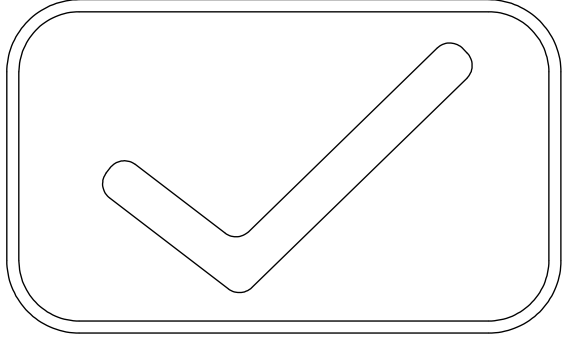
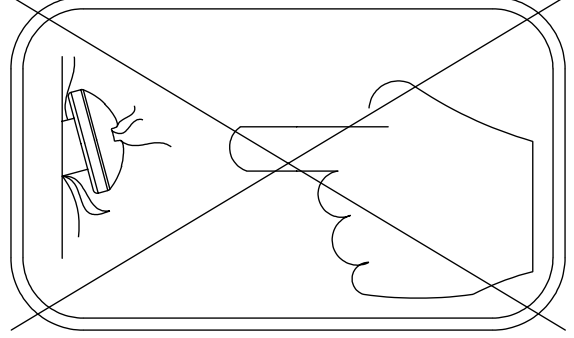
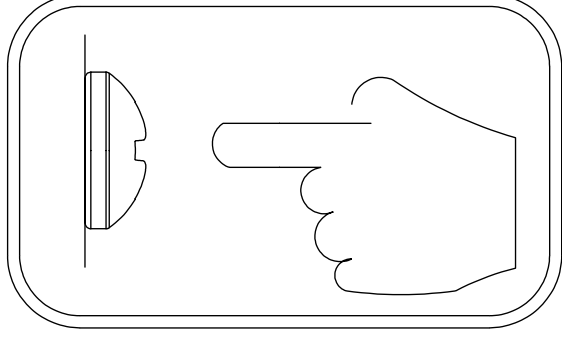
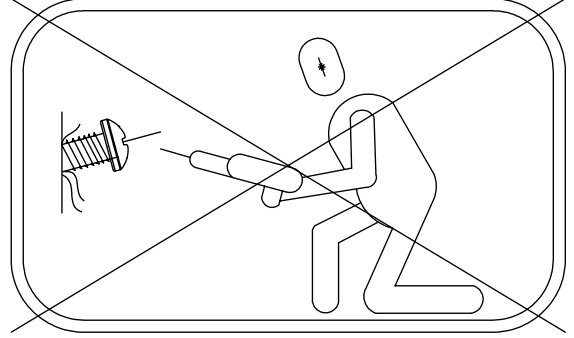
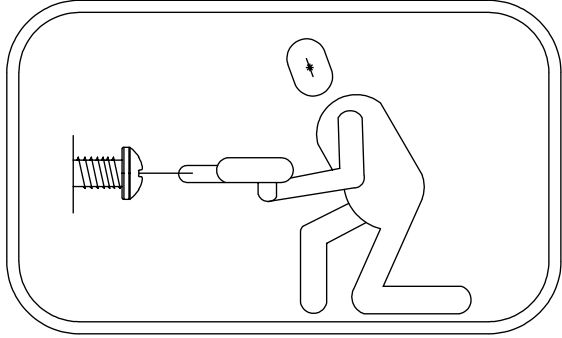
K2, K3

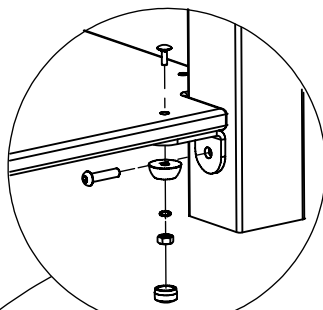
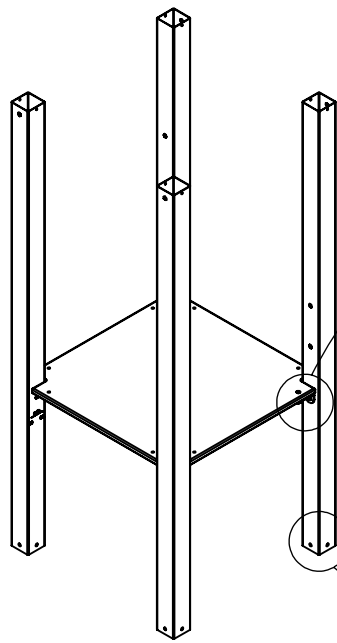


B231
x4

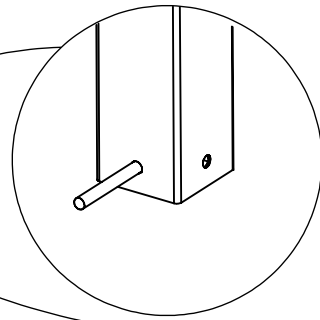
	HPDE	HPL	ST/INOX
1x	CE1	CL1	
1x	CE3	CL3	
1x	CE4	CL4	
1x	CE6	CL6	
1x	CE17	CL17	
1x	CE111	E93	
			E37 (K2,K3)
1x			V001

	PLYWOOD	HPL
1x	PS11	PH9

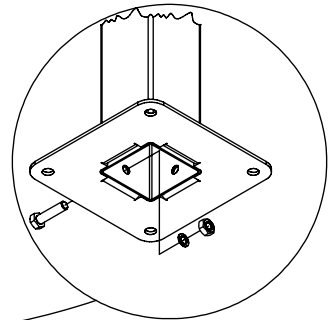




PLYWOOD HPL
1x PS11 PH9

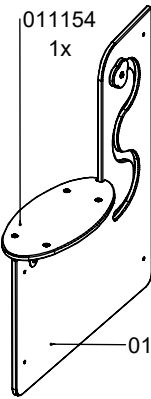
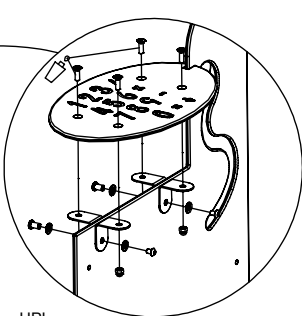
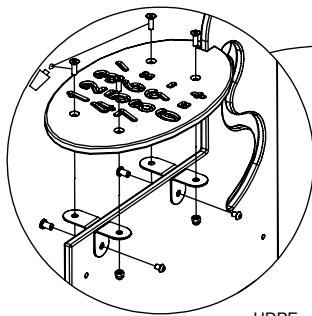


K1

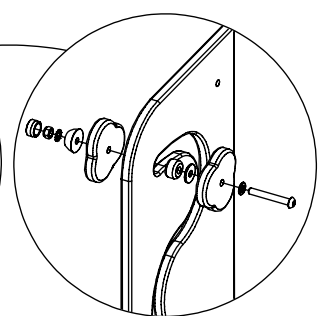
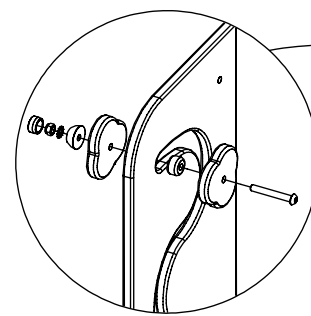


K2,K3

E37

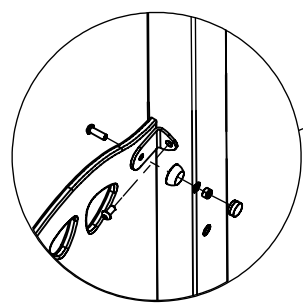


011154
1x

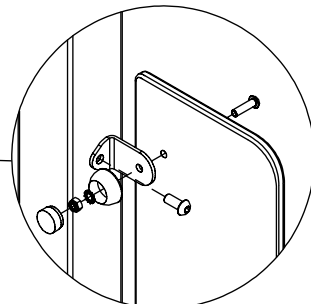
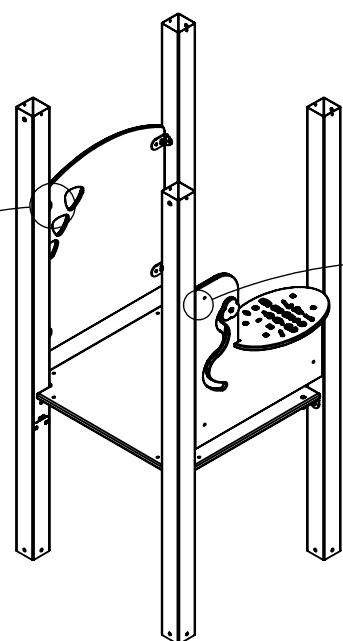


HDPE HPL
1x CE6 CL6

HDPE HPL
1x CE17 CL17



PLYWOOD HPL
1x CE1 CL1

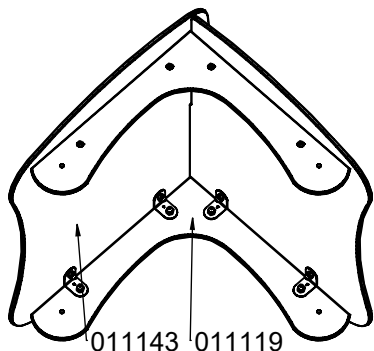


HDPE HPL
1x CE4 CL4

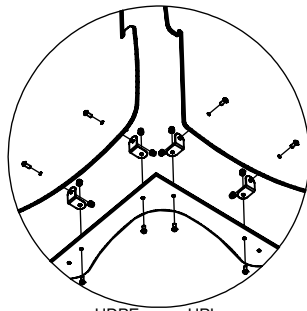
[cm]



vinci
play



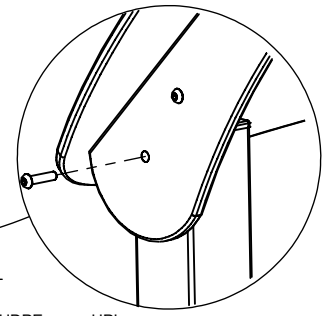
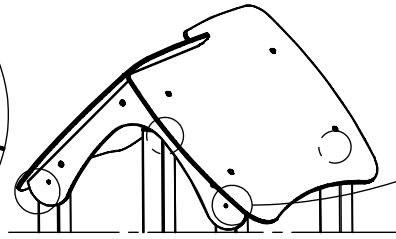
011143 011119
2x 2x



1x

HDPE
CE3

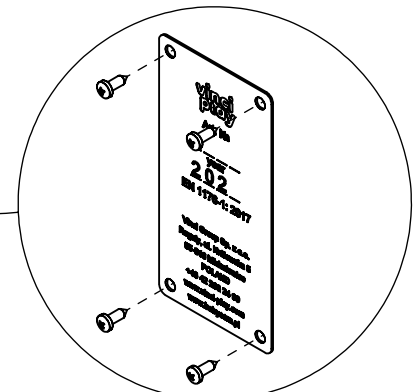
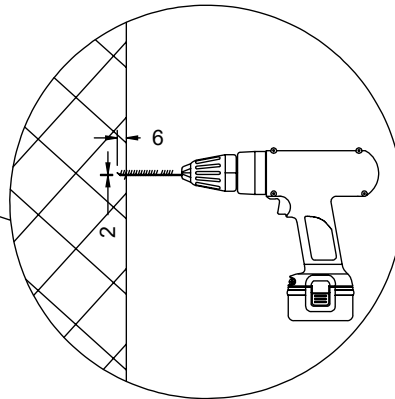
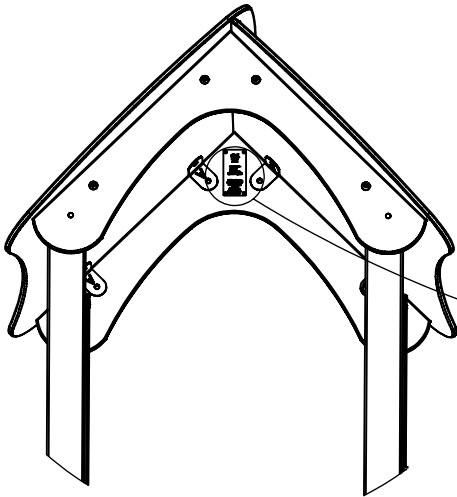
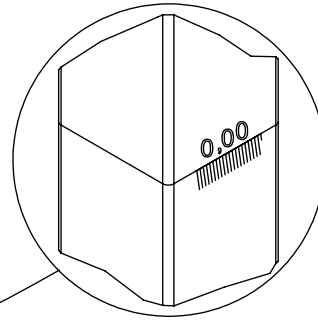
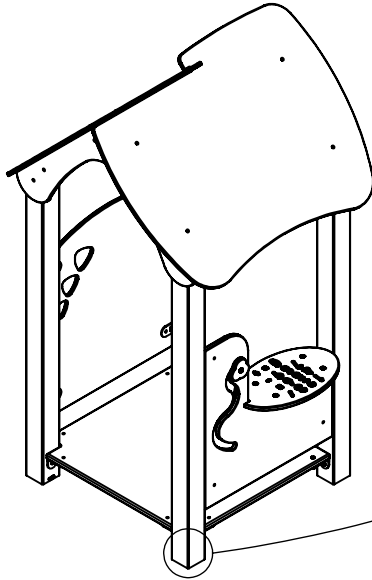
HPL
CL3



1x

HDPE
CE111

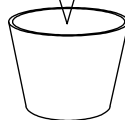
HPL
E93



V001

Part No:
000000-
00000

000000-00000



[cm]

vinci
play