

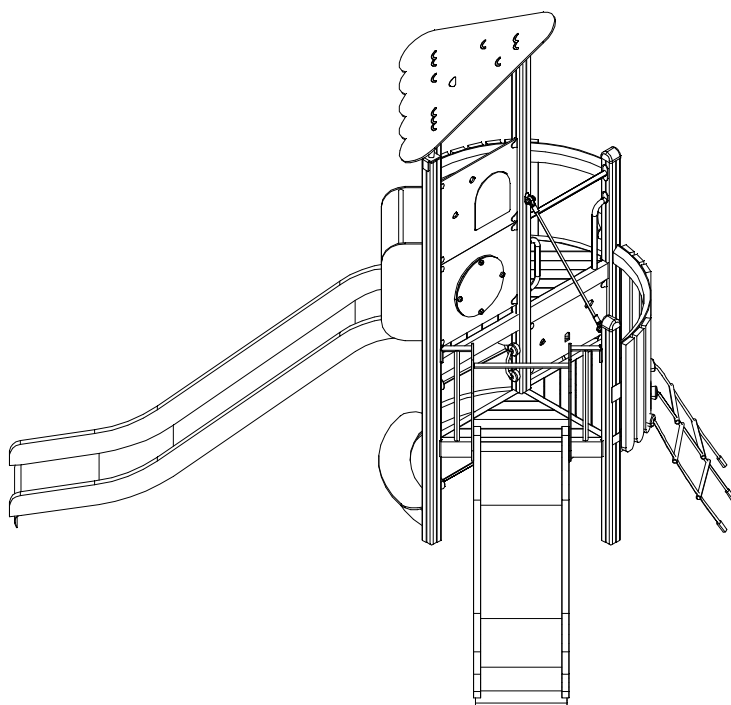


PRIME

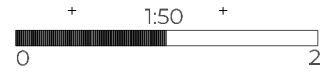
ASENNUSOHJE  
MONTERINGSANSVISNING  
INSTALLATION INSTRUCTION  
AUFBAUANLEITUNG  
NOTICE D'INSTALLATION

DATE: 26.1.2026

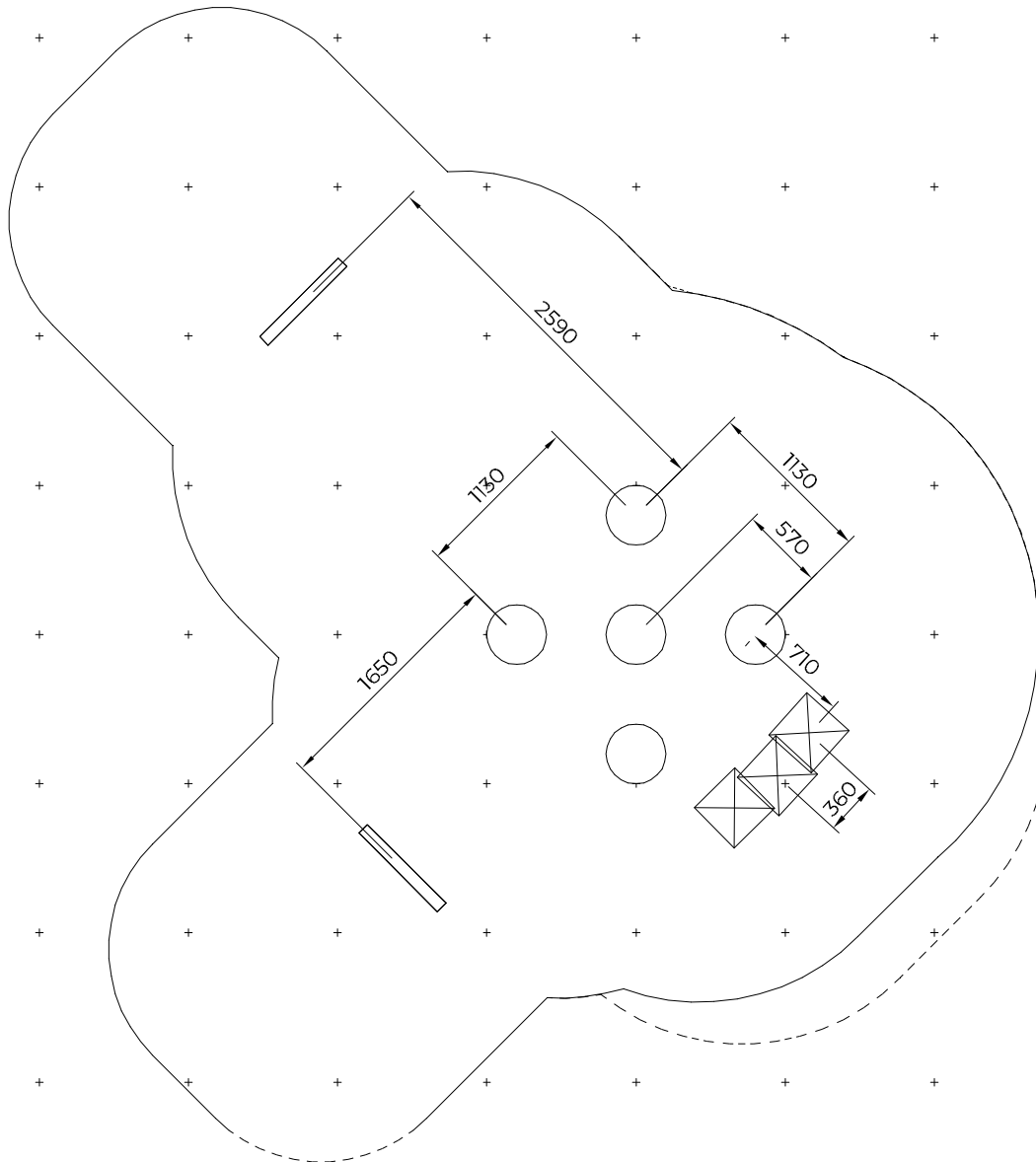
F24106M



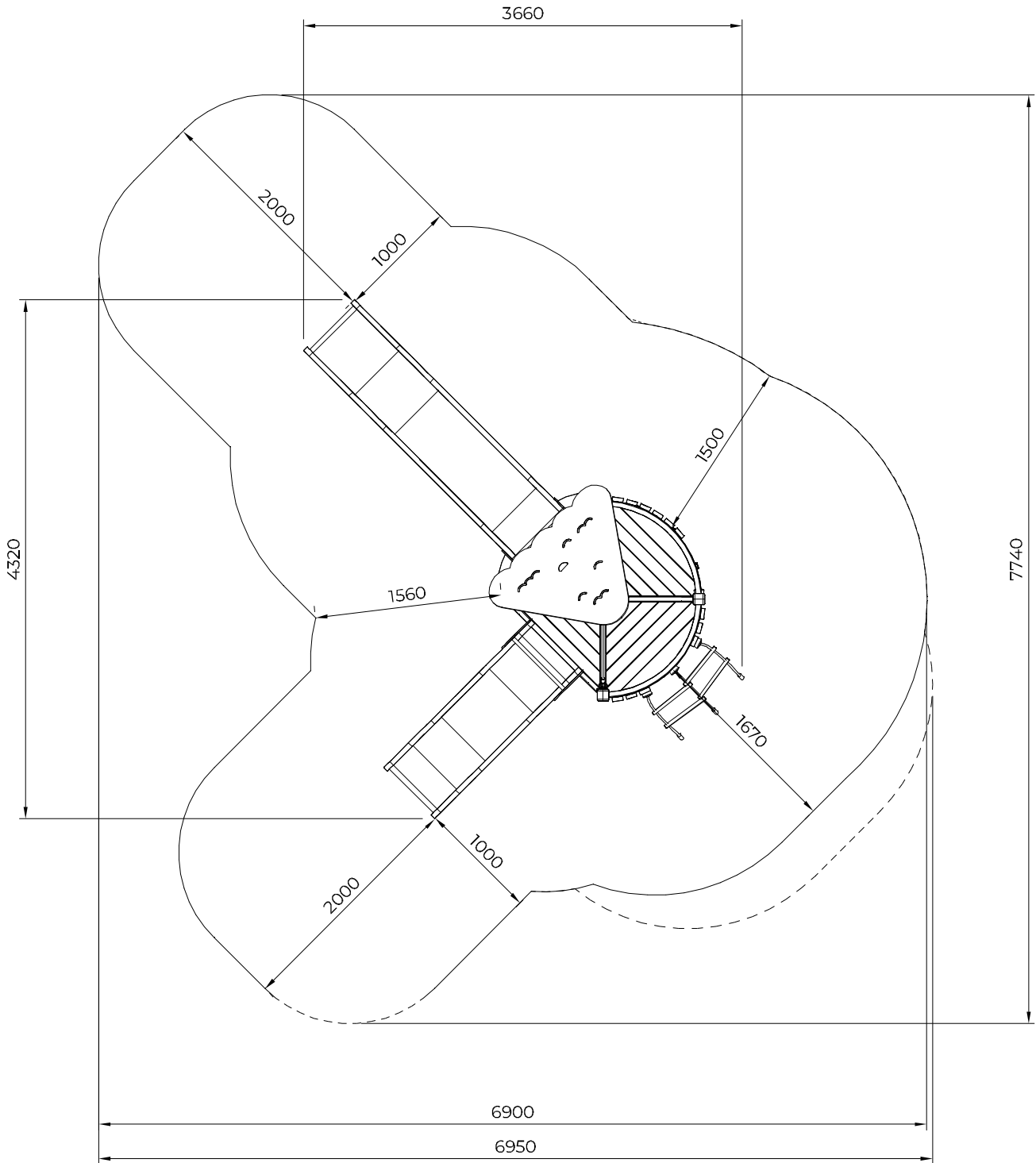
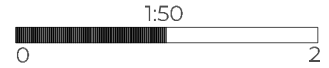
710468-001	PCS 2	712032-001	PCS 1	712037-001	PCS 1	712045-001	PCS 2	712049-001	PCS 1	712397	PCS 1
		L 1650		L 2150		L 2950		L 3350			
712434	PCS 1	712497	PCS 2	712499	PCS 2	712513-001	PCS 1	712522-001	PCS 1	712600	PCS 1
						+870		+1470			
712619-303	PCS 1	712724-001	PCS 2	712730	PCS 1	712743-303	PCS 2	712747-001	PCS 7	712752	PCS 3
		L 1096						L 704			
712780	PCS 1	712788	PCS 2	712797	PCS 1	712798	PCS 1	712819-001	PCS 4	712837	PCS 1
L 704											
712889	PCS 5	712941-001	PCS 2	712953-303	PCS 1	712954	PCS 4	712999	PCS 1	713087-303	PCS 1
L 700											
713090	PCS 2	713150-001	PCS 2	713174	PCS 1	713212	PCS 1	713337	PCS 1	713345	PCS 1
		L1027						12x1199x1336			
713352-001	PCS 2		PCS		PCS		PCS		PCS		PCS

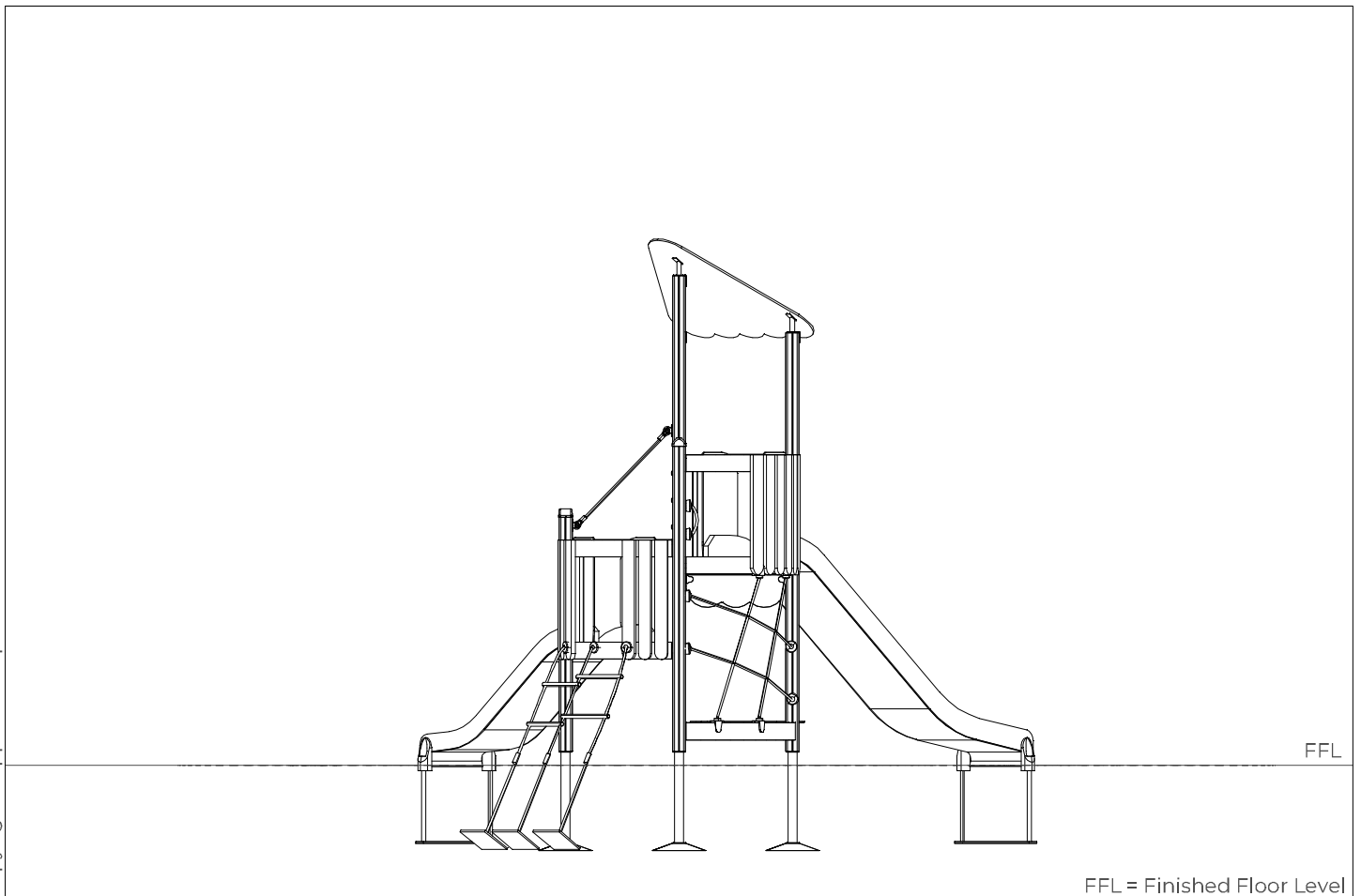
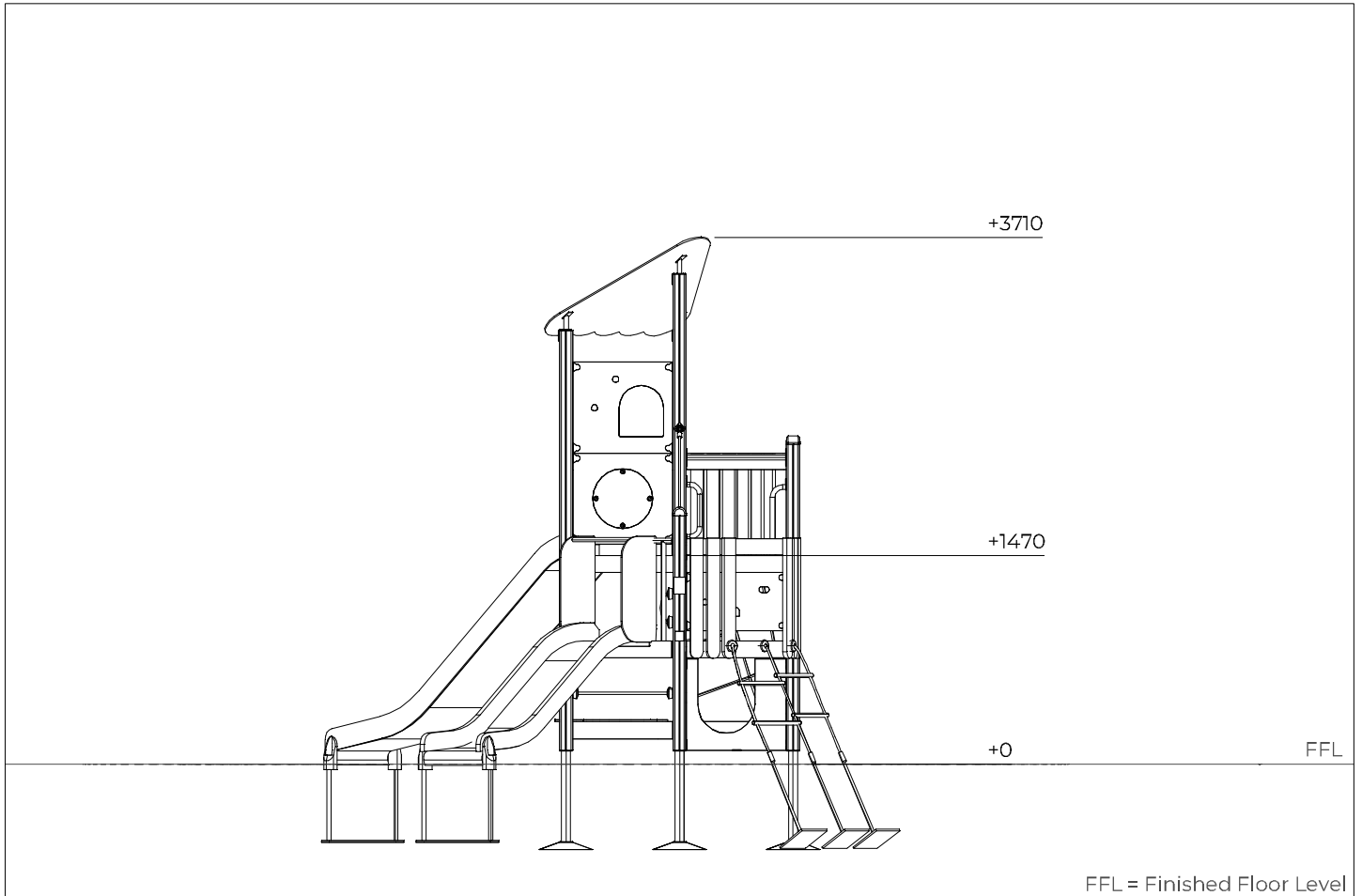


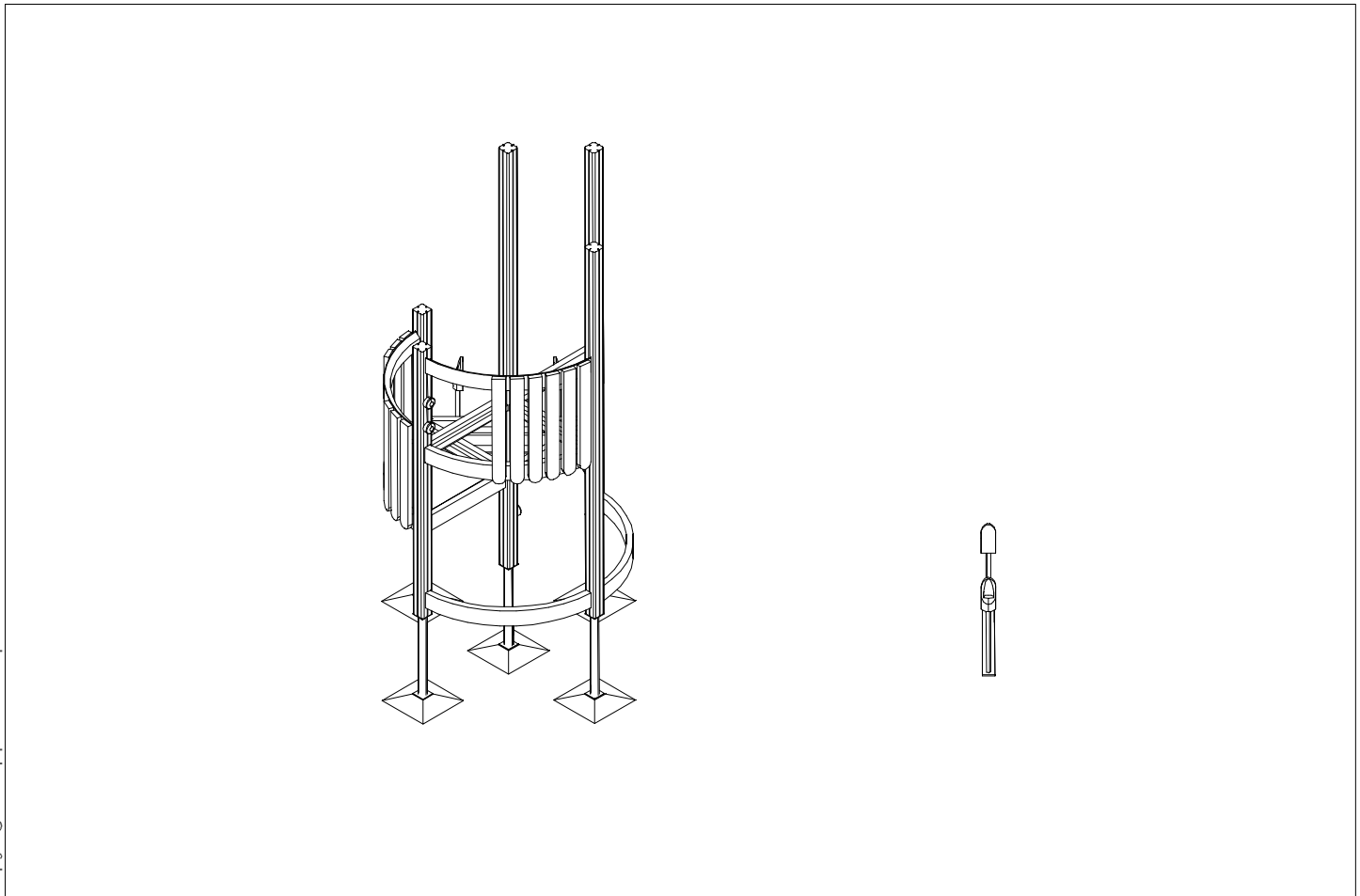
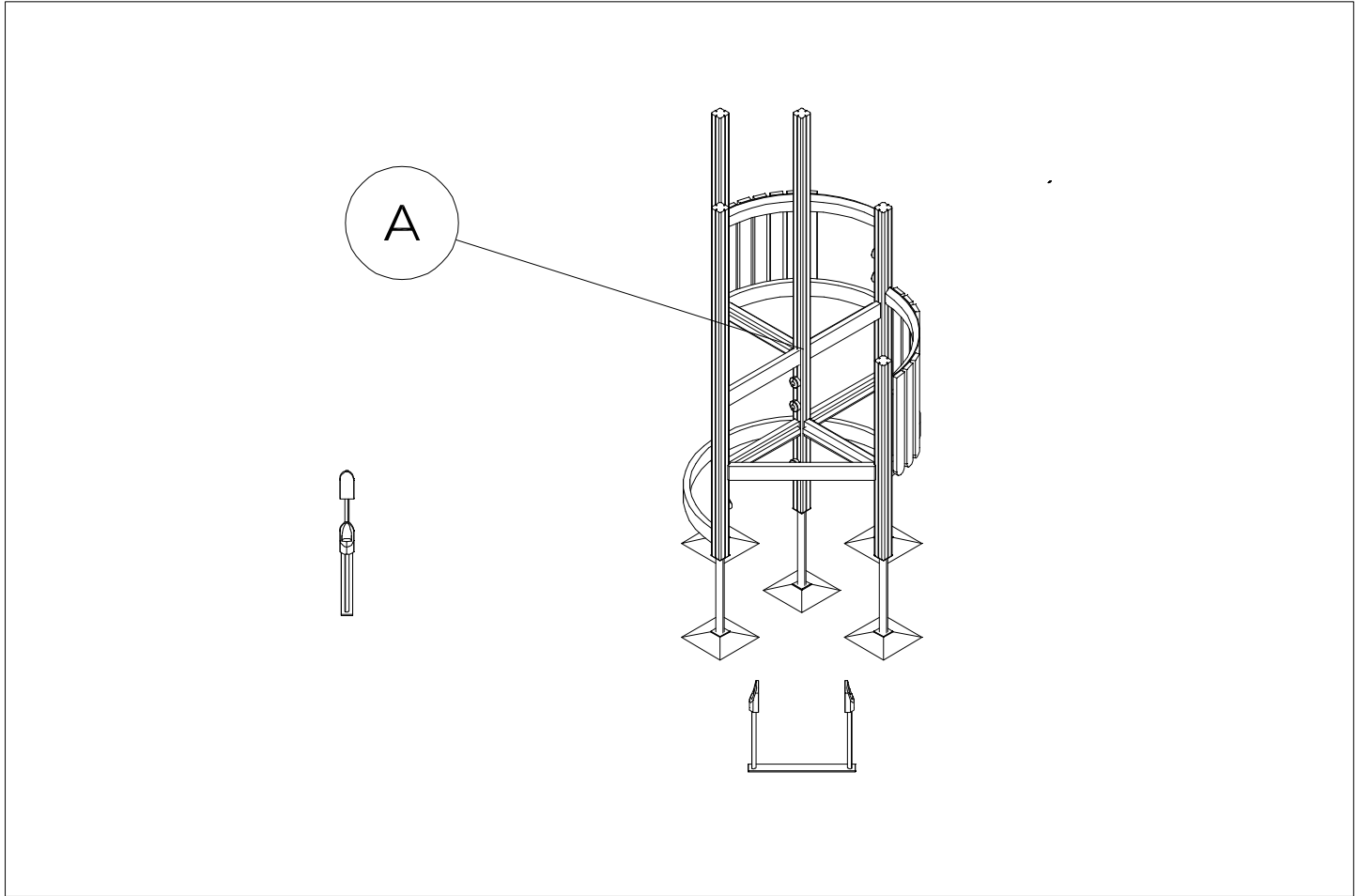
Grid size = 1000 mm

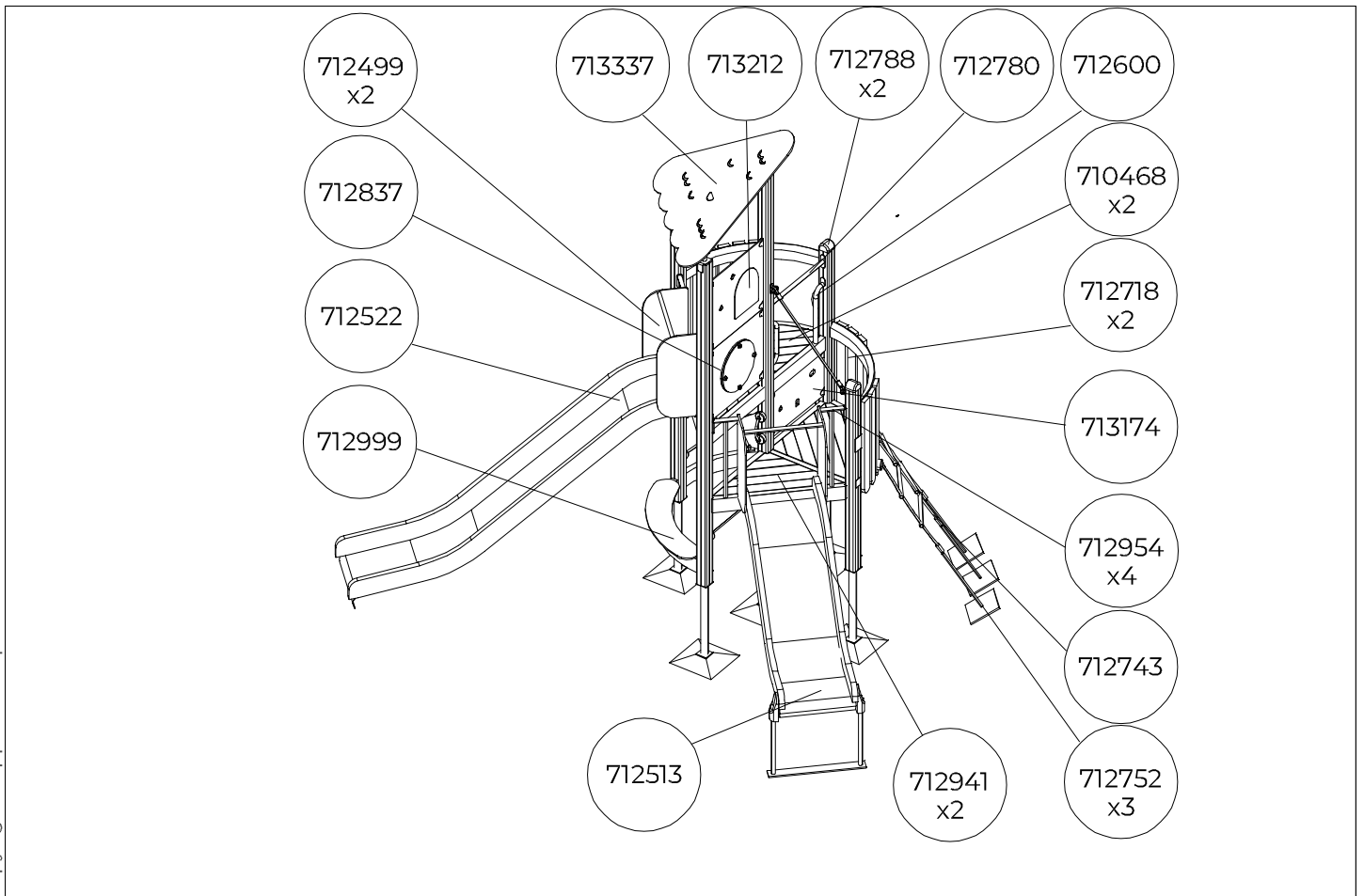
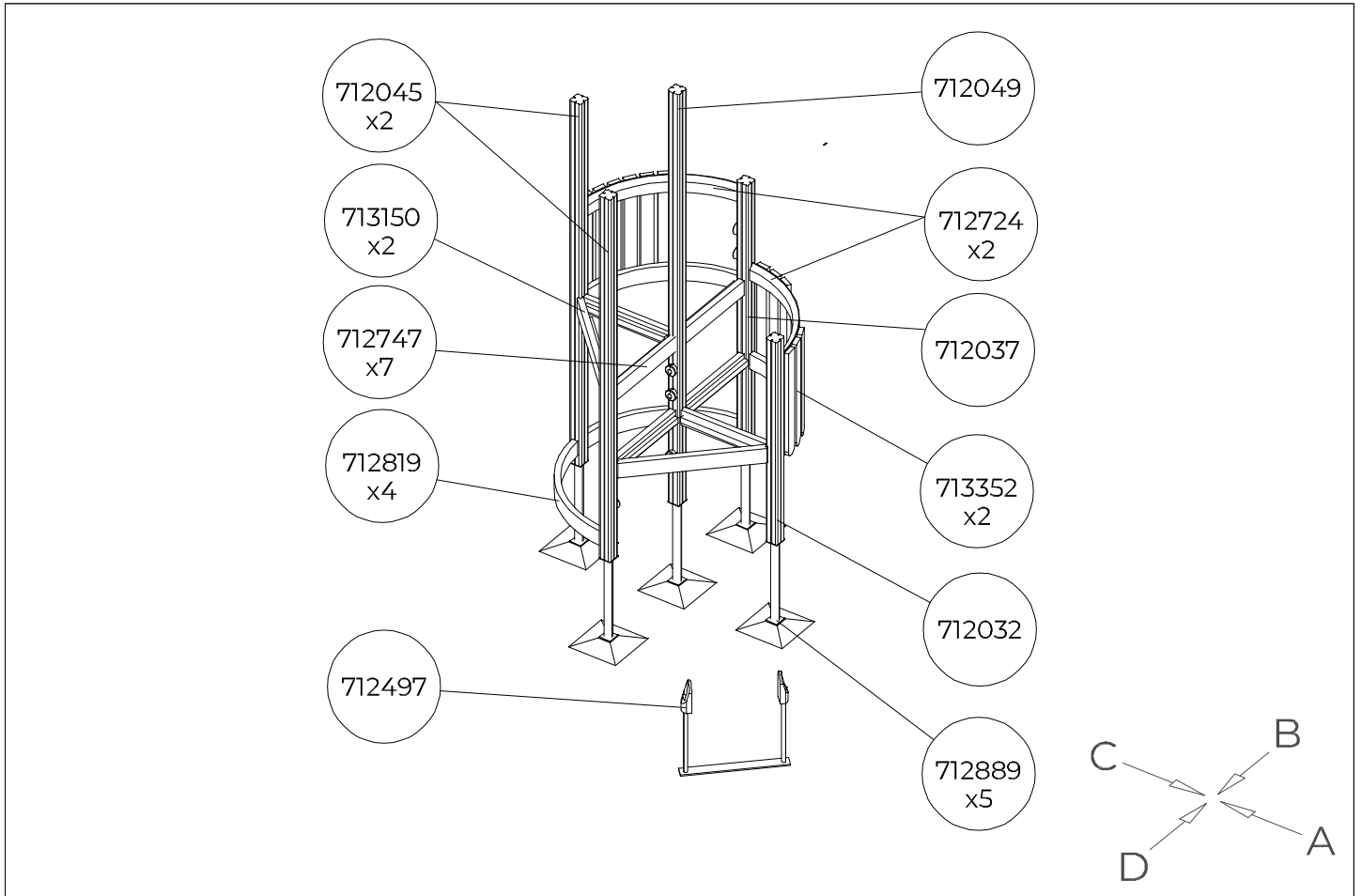


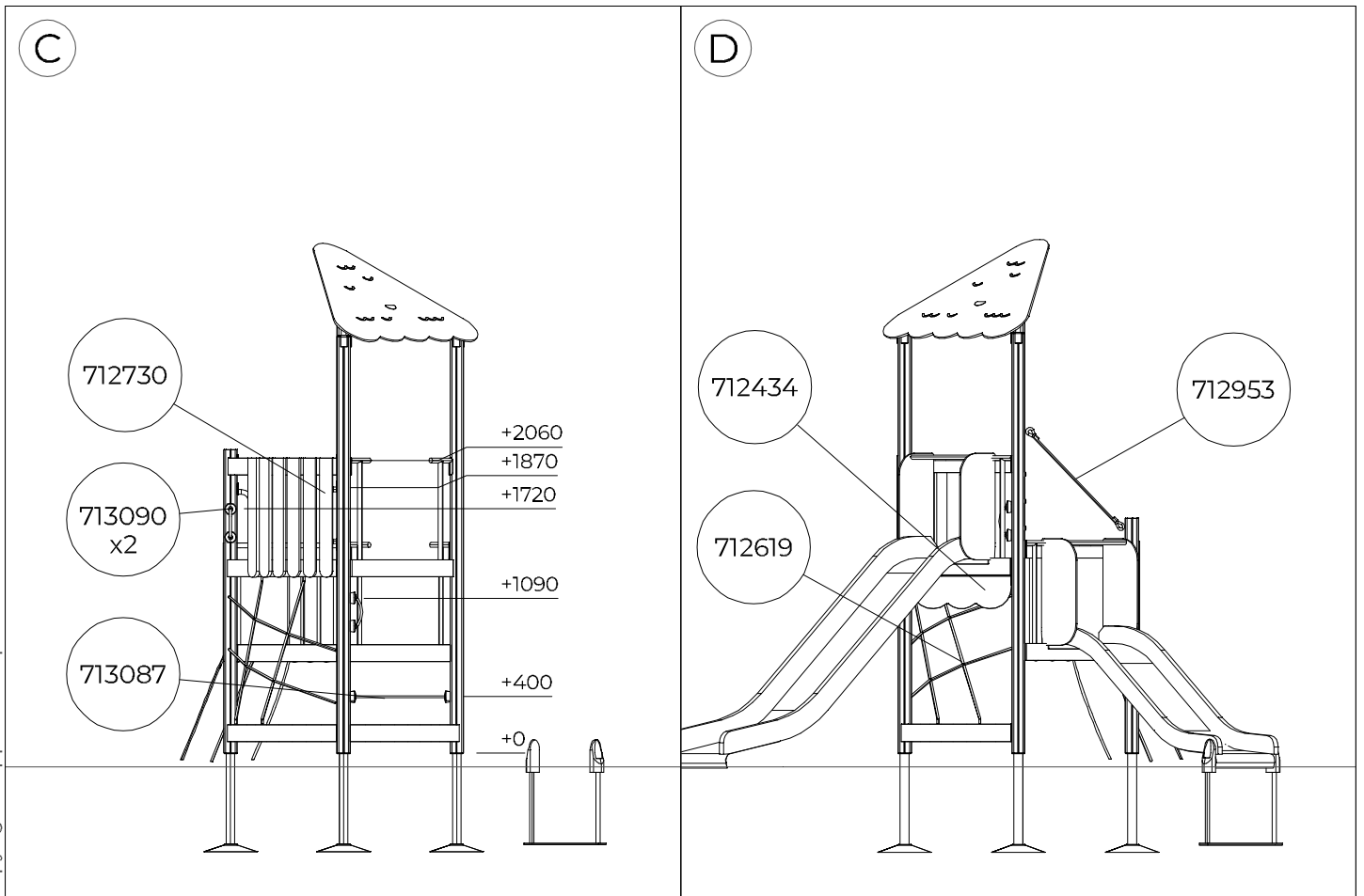
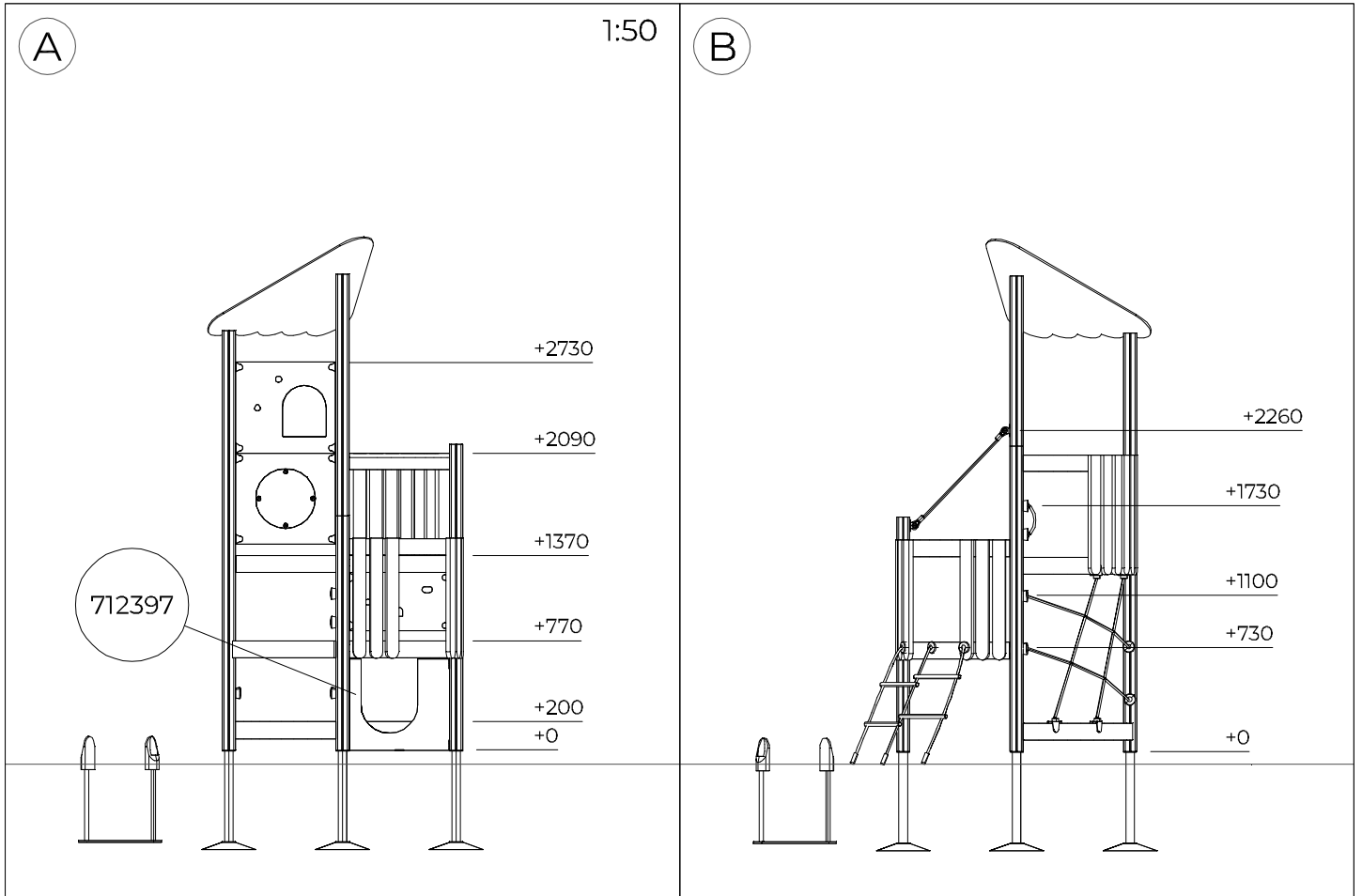
— EN/AS Impact Area 32 m<sup>2</sup>  
- - - Falling Space 33 m<sup>2</sup>  
Max Falling Height 1470 mm

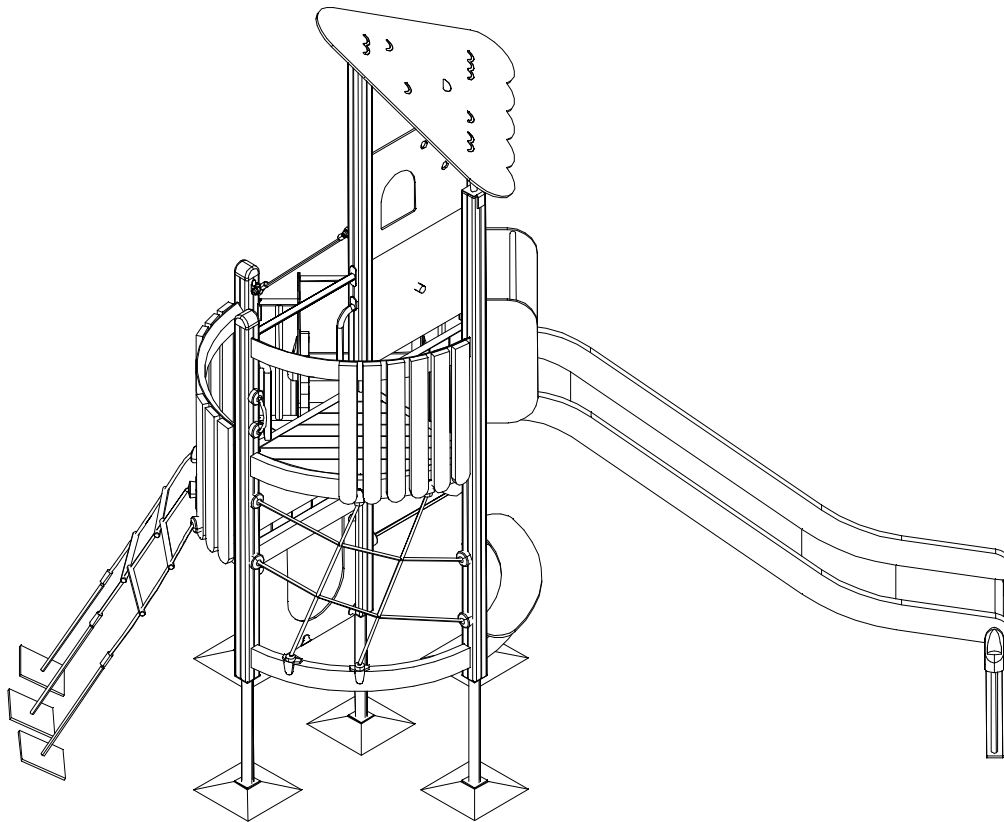
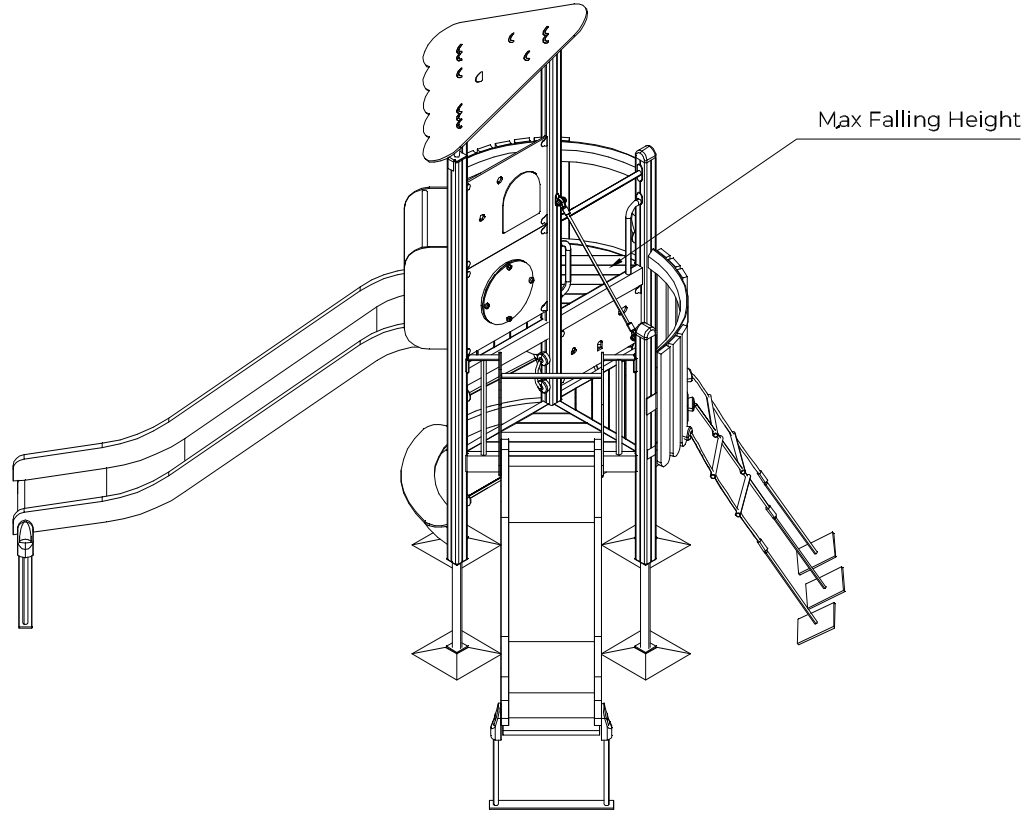


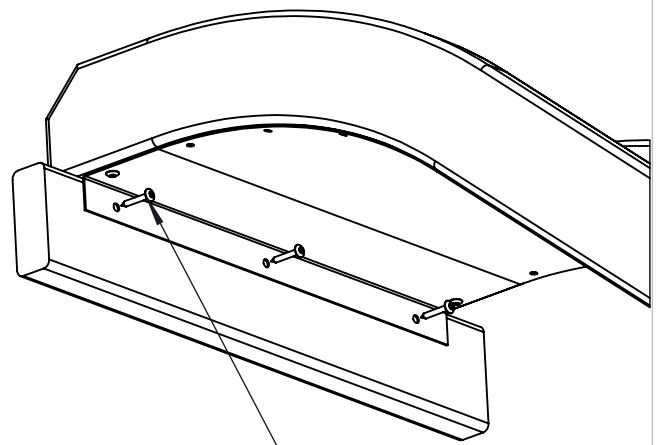
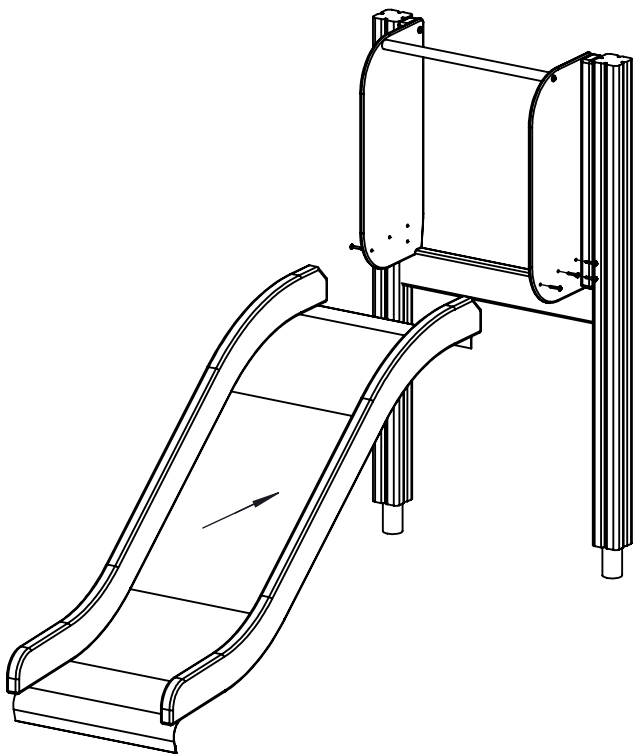
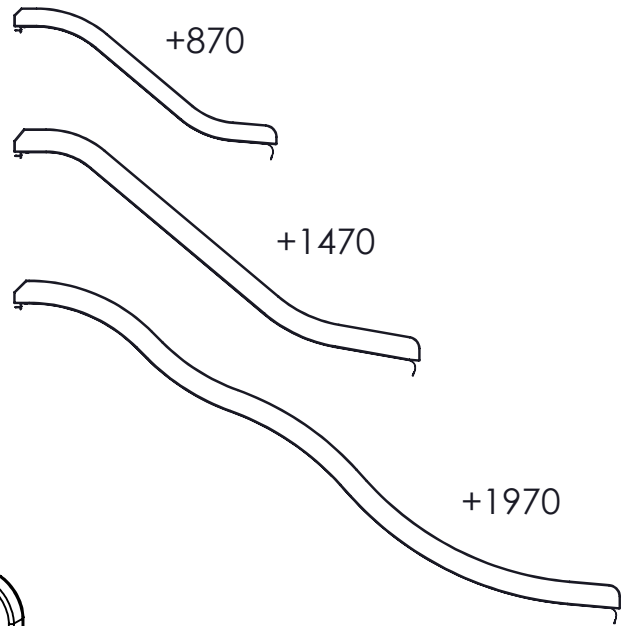
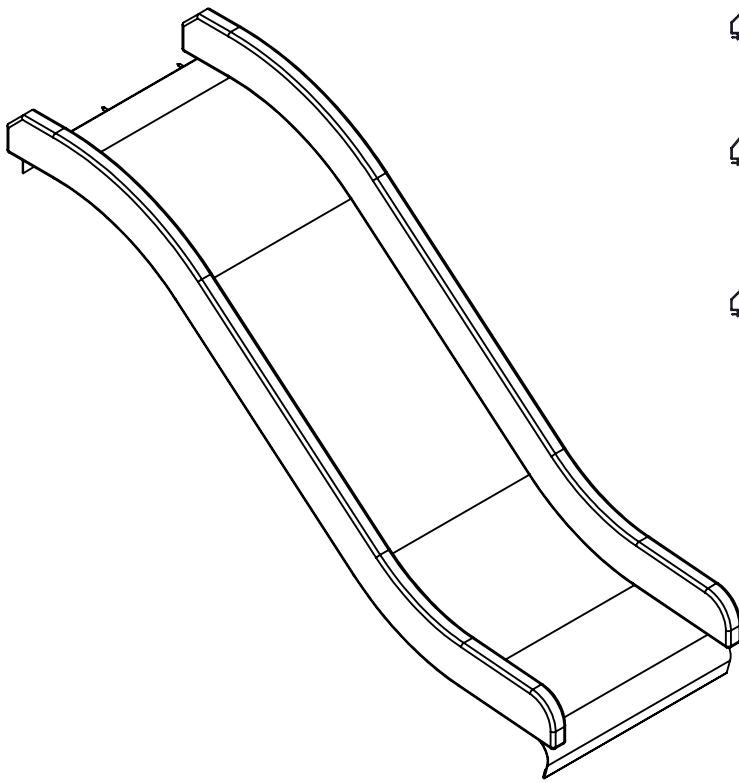


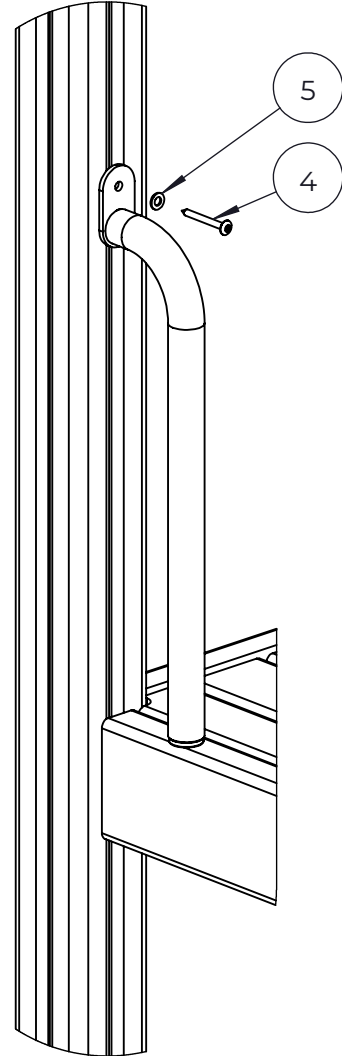
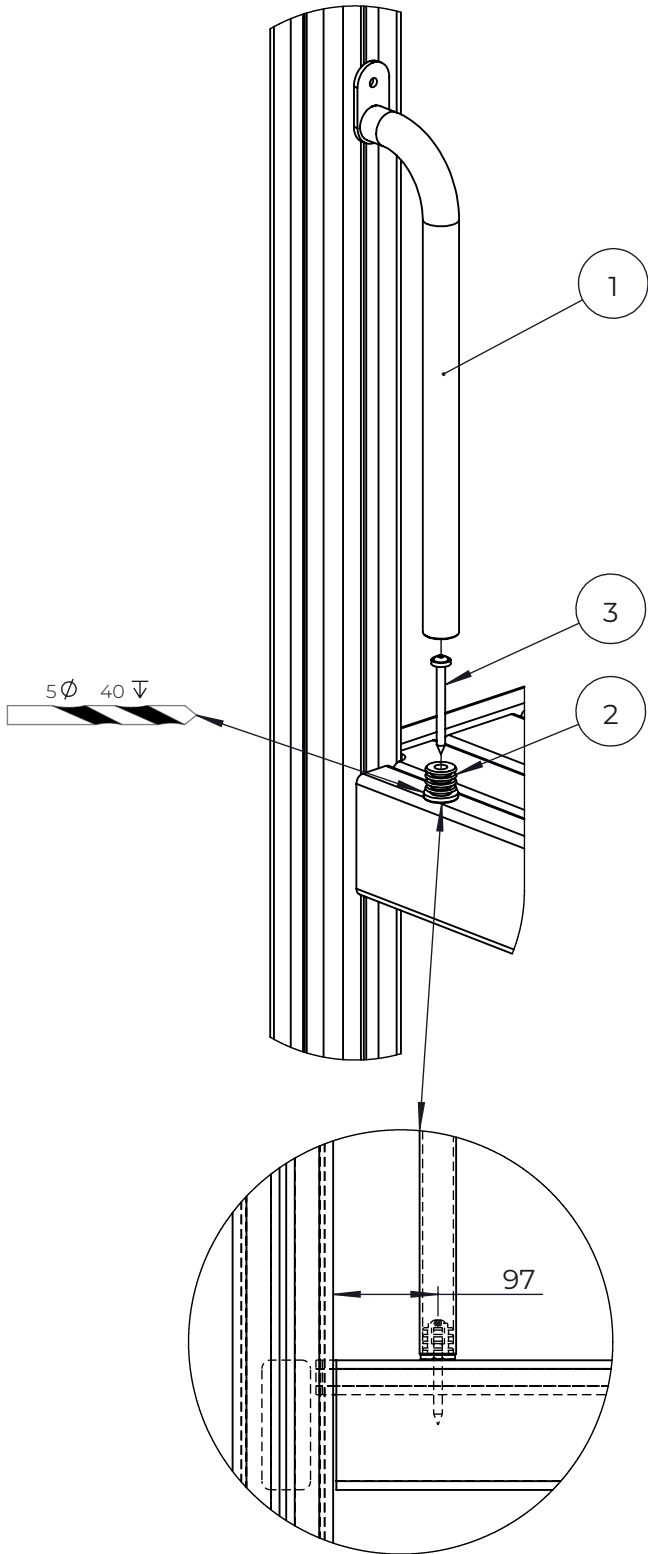




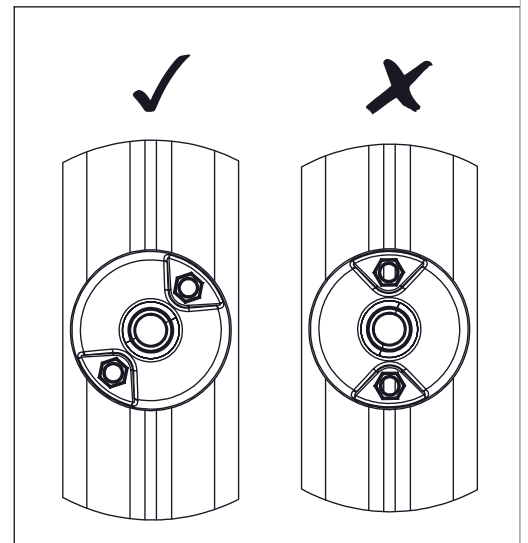
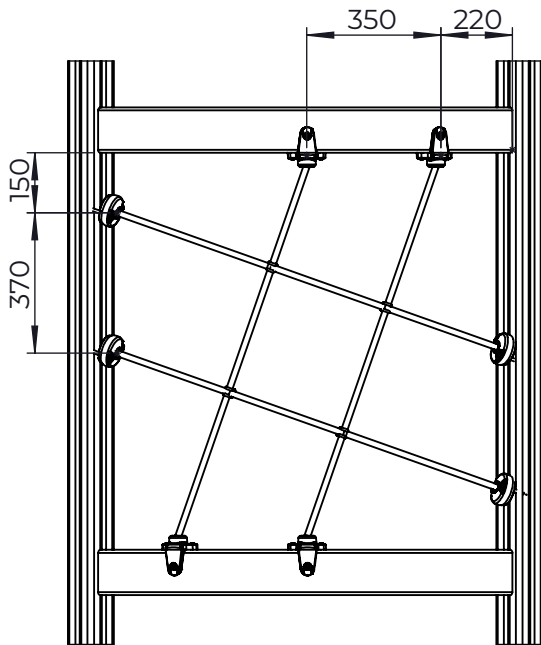
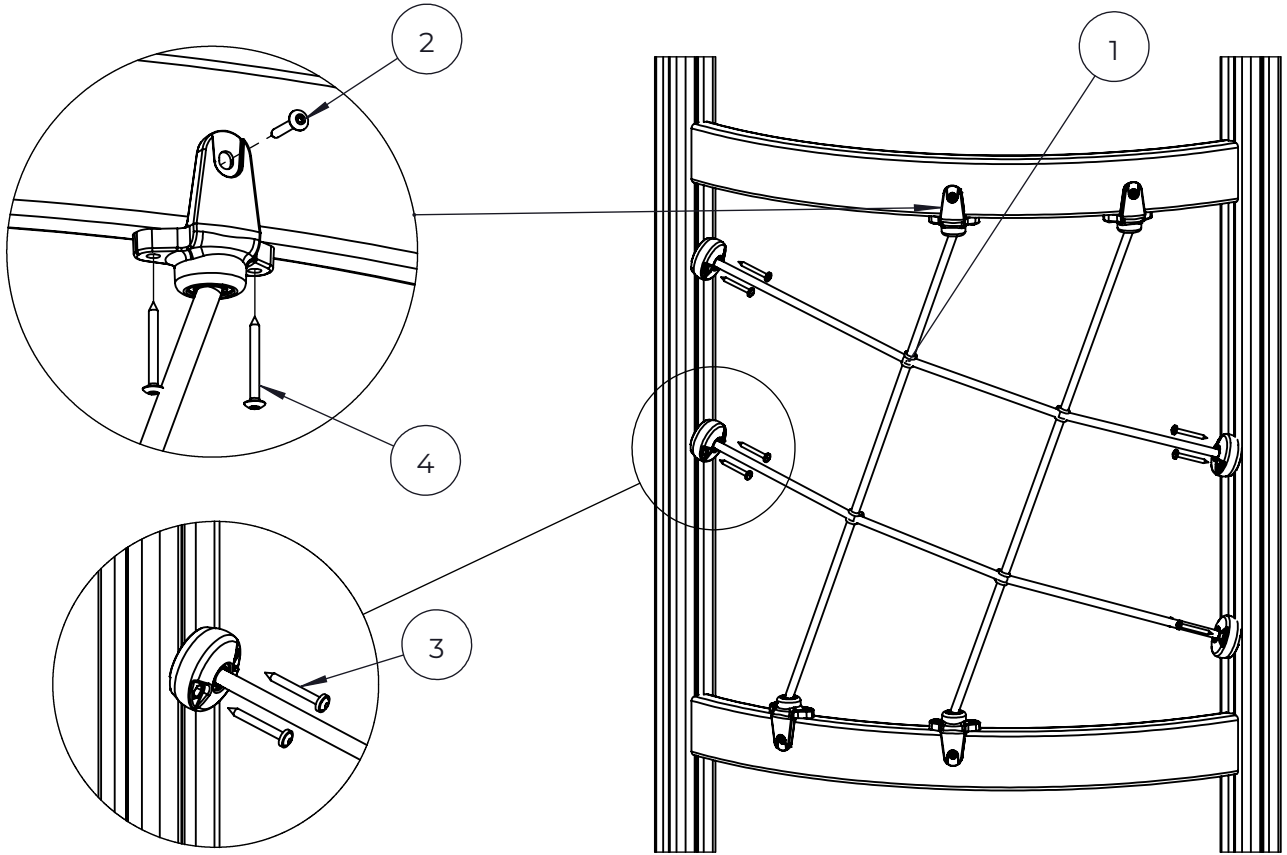




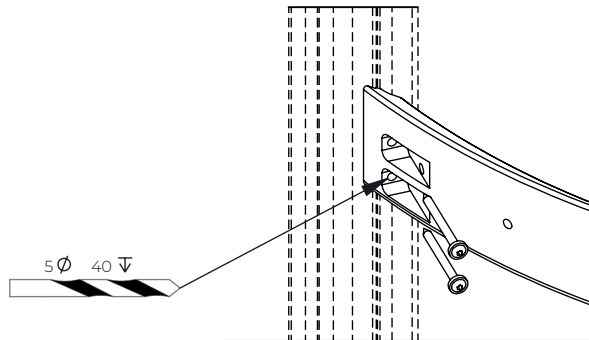
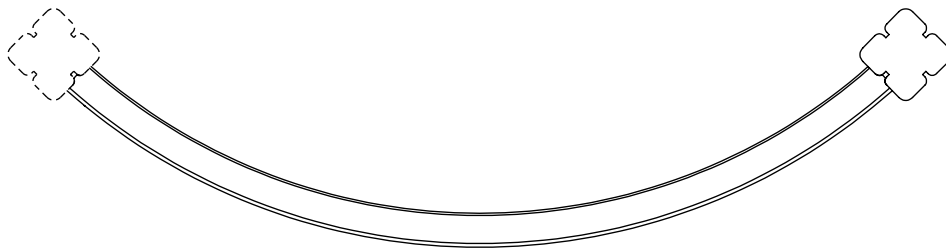
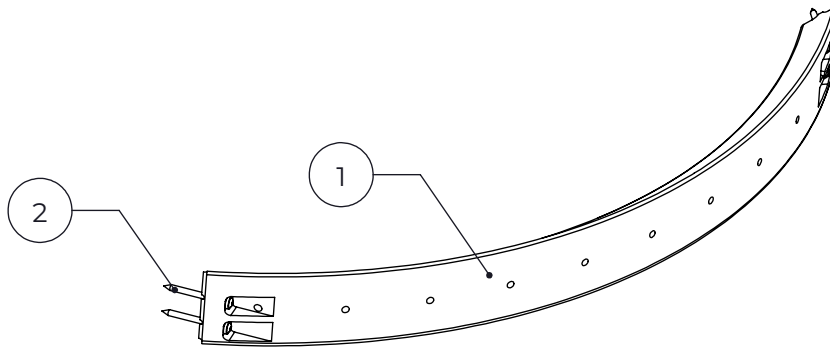




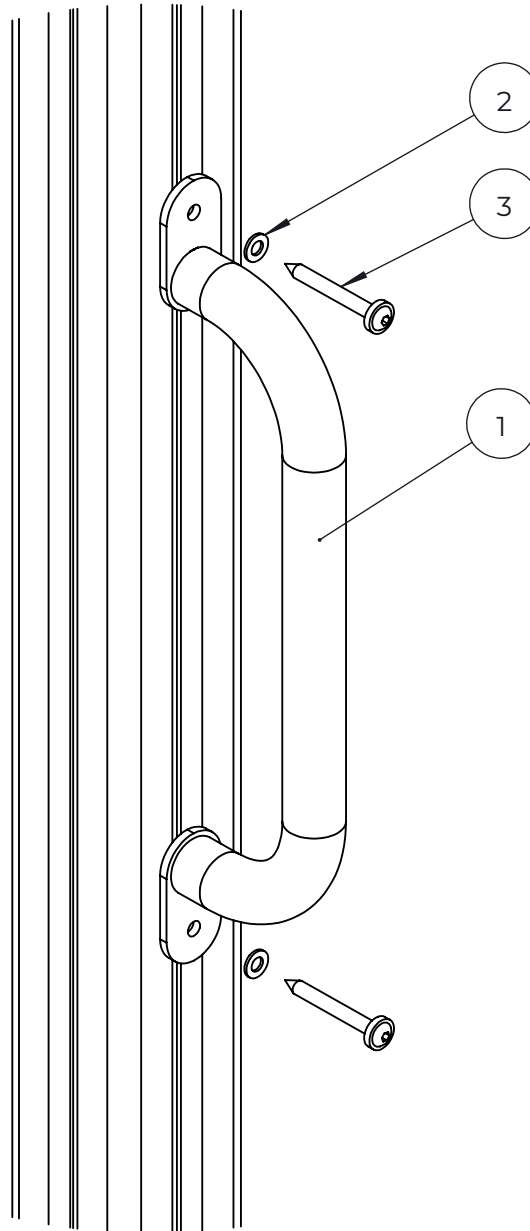
NO.	ITEM CODE			QTY.
1	914172	HAND GRIP	40x114x540	1
2	908057	CONNECTOR	Ø32/29-L5/30	1
3	903093	SPECIAL SCREW	Ø8x90	1
4	980123	SPECIAL SCREW	Ø7x60	1
5	909256	WASHER	Ø16/8.4x1.6	1



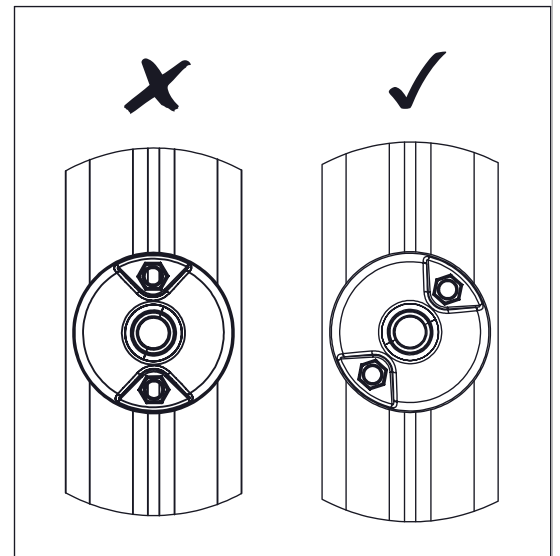
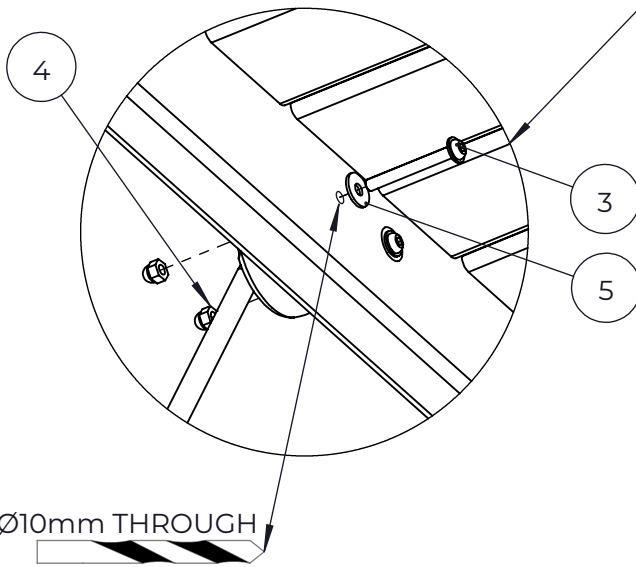
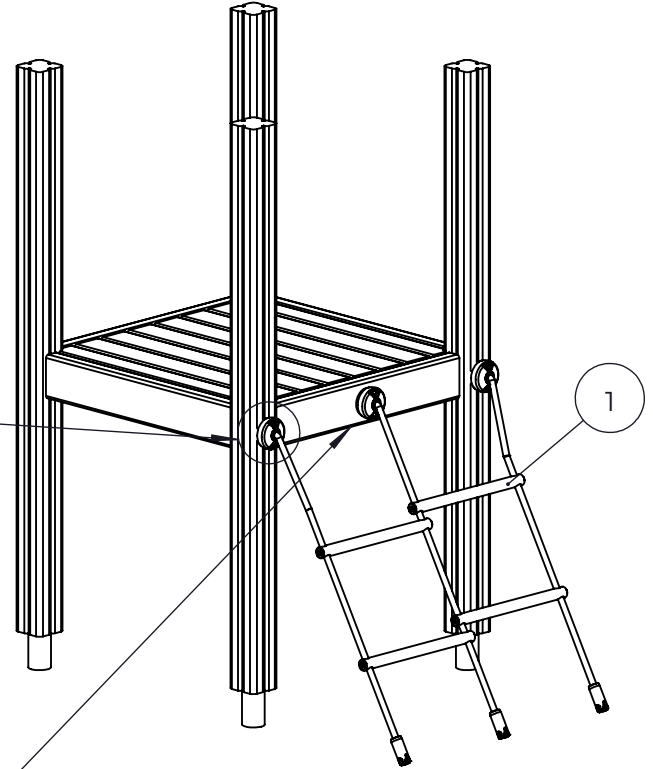
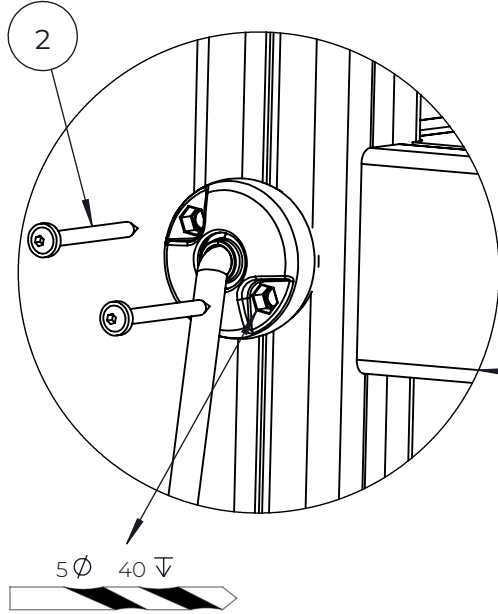
NO.	ITEM CODE			QTY.
1	712584	NET ASSEMBLY	1050x1065	1
2	980128	SPECIAL SCREW	Ø7x40	4
3	900240	SPECIAL SCREW	Ø8x70	8
4	980123	SPECIAL SCREW	Ø7x60	8



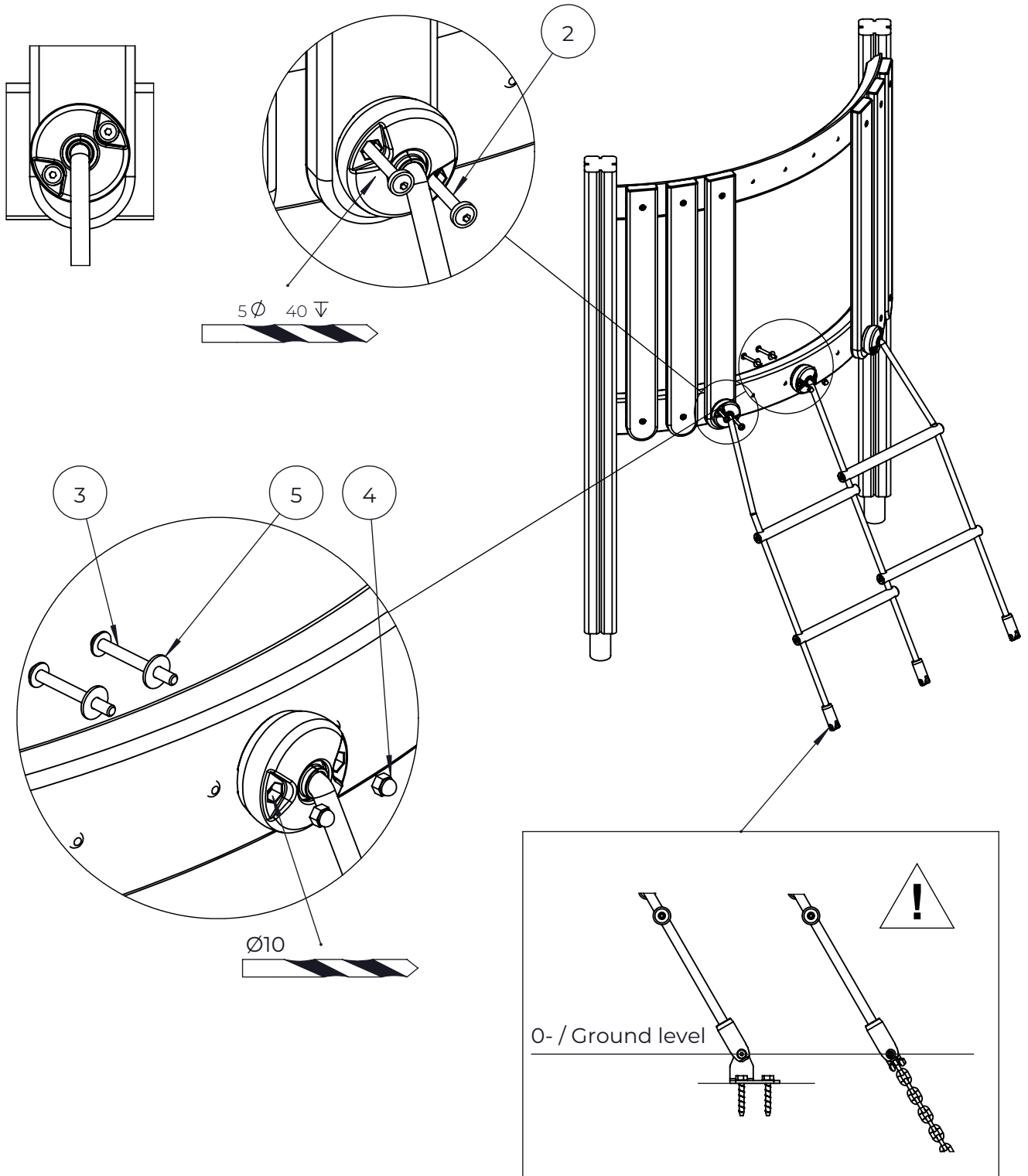
NO.	ITEM CODE			QTY.
1	710469	ARCH ELEMENT	45x120x1096	1
2	903093	SPECIAL SCREW	Ø8x90	4



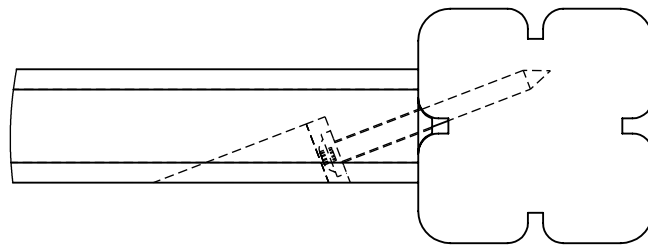
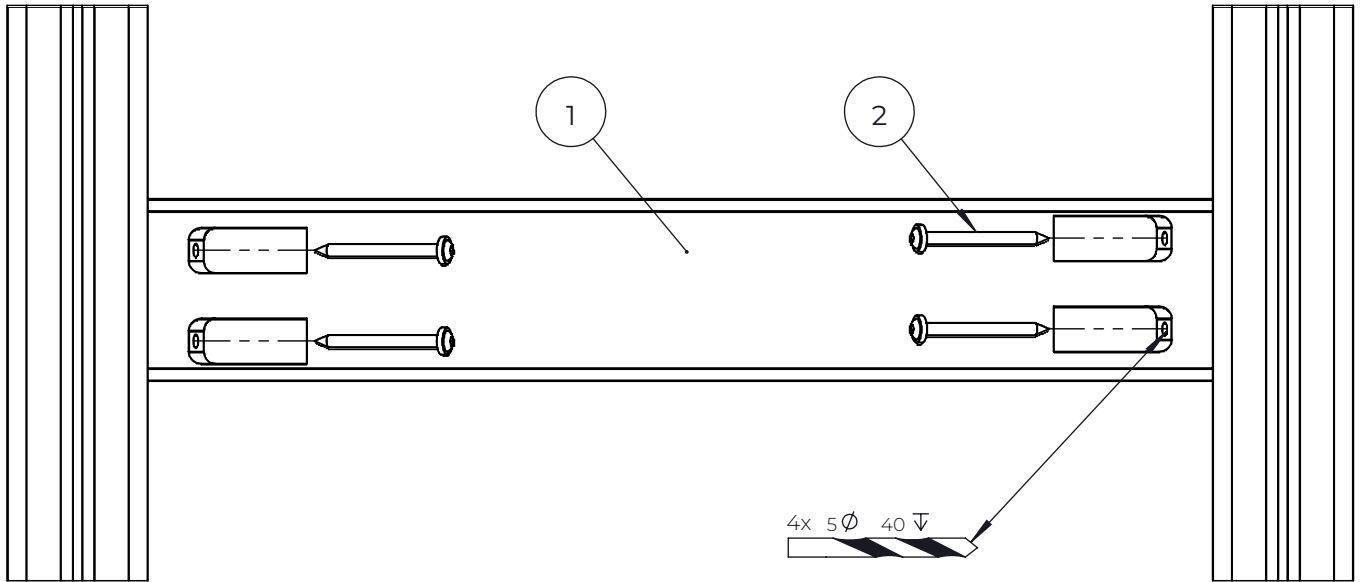
NO.	ITEM CODE			QTY.
1	914419	GRIP	40x119x490	1
2	909256	WASHER	Ø16/8.4x1.6	2
3	900240	SPECIAL SCREW	Ø8x70	2



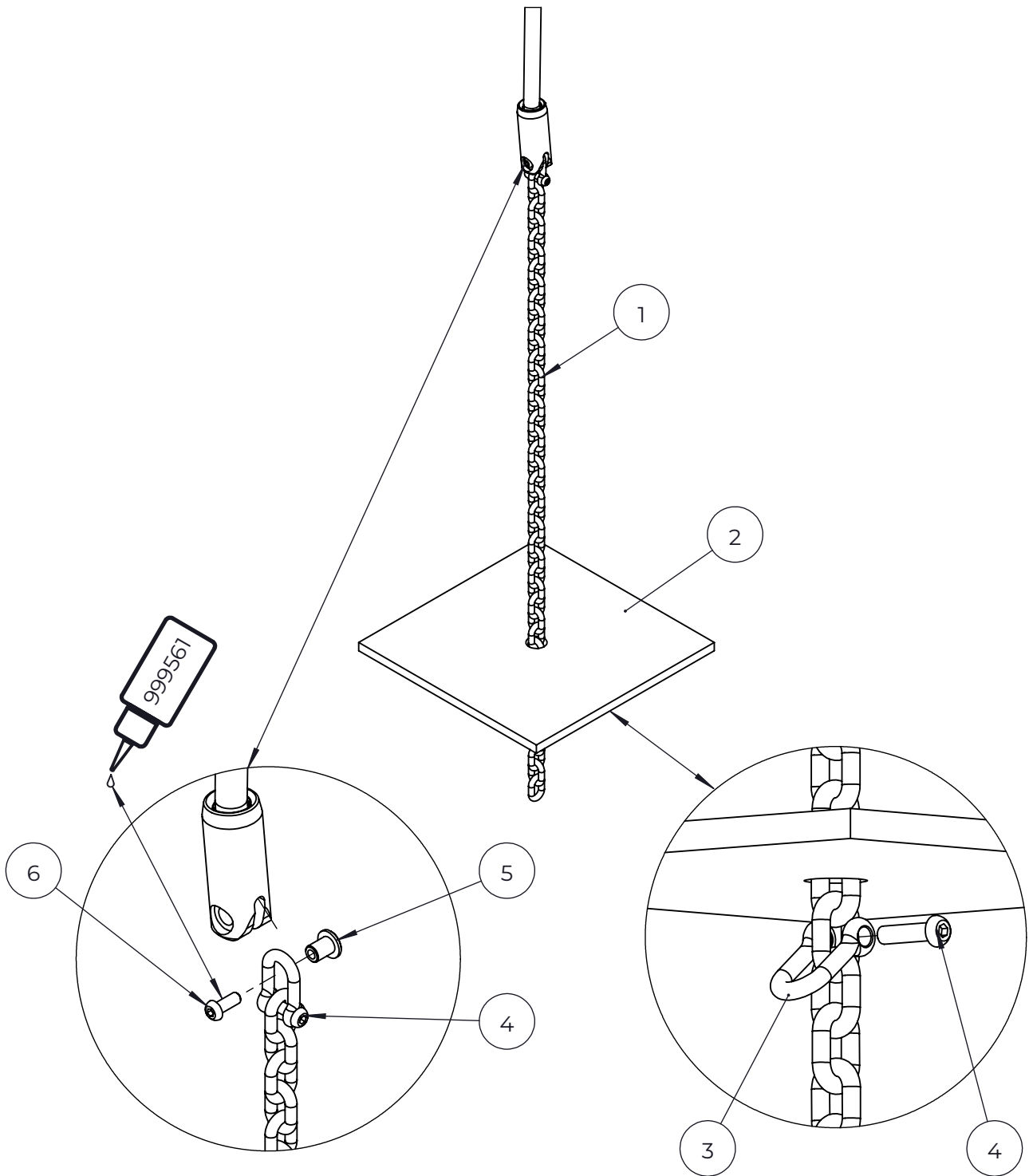
NO.	ITEM CODE			QTY.
1	712741	CLIMBING ELEMENT	+870	1
2	903093	SPECIAL SCREW	Ø8x90	4
3	909867	ALLEN SCREW	M8x70	2
4	909633	NUT	M8	2
5	980152	WASHER	Ø24/8.4x2	2



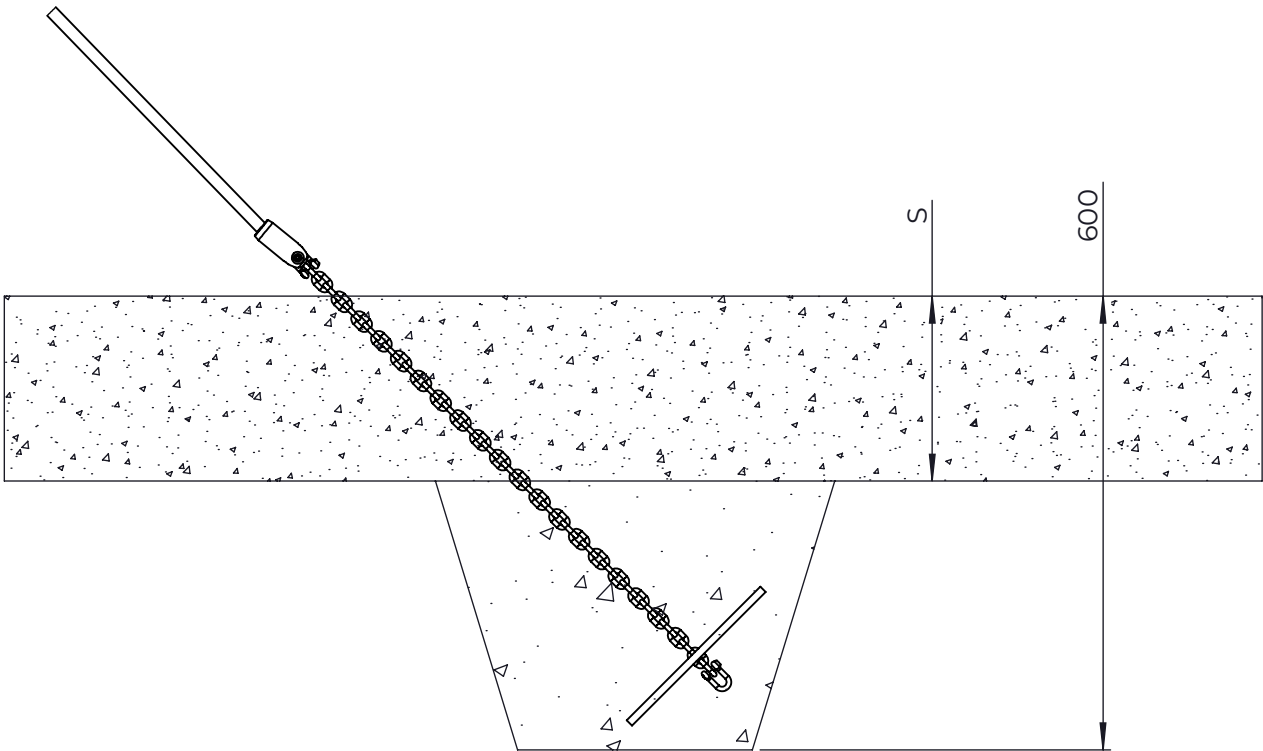
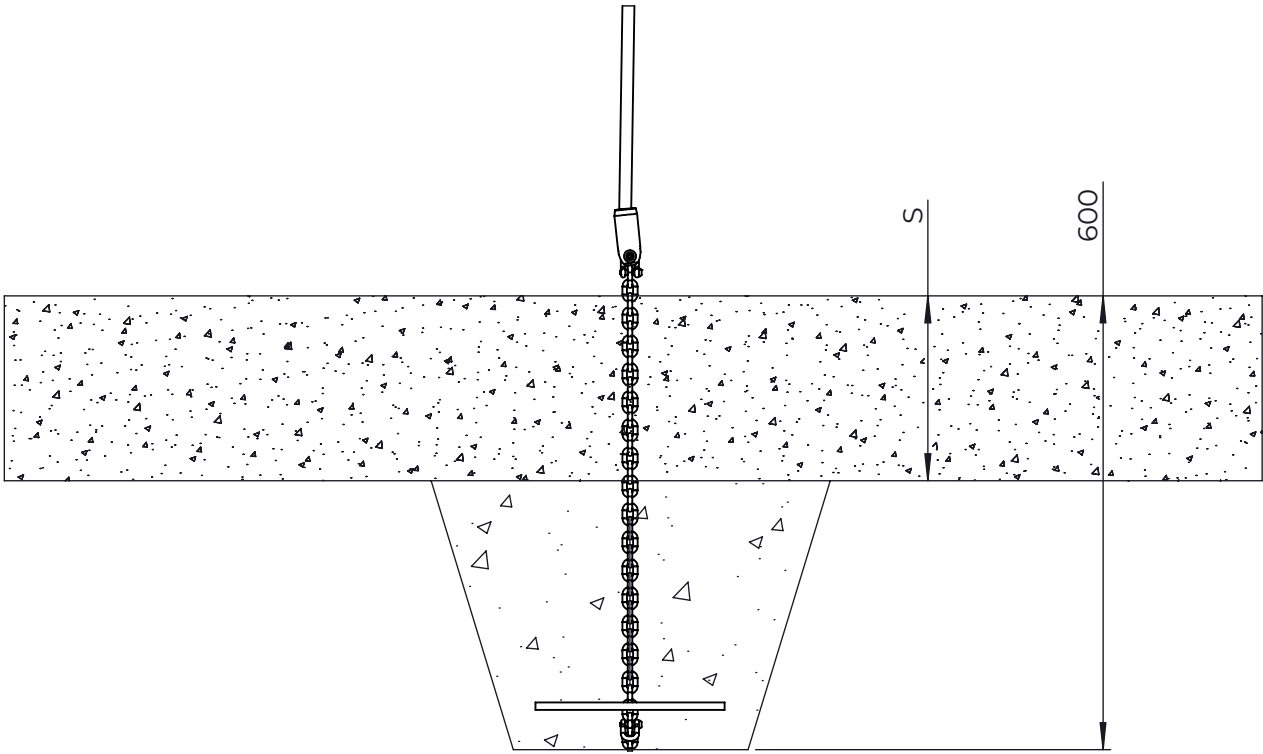
NO.	ITEM CODE			QTY.
1	712741	CLIMBING ELEMENT	+870	1
2	903093	SPECIAL SCREW	Ø8x90	4
3	909867	ALLEN SCREW	M8x70	2
4	909633	NUT	M8	2
5	980152	WASHER	Ø24/8.4x2	2

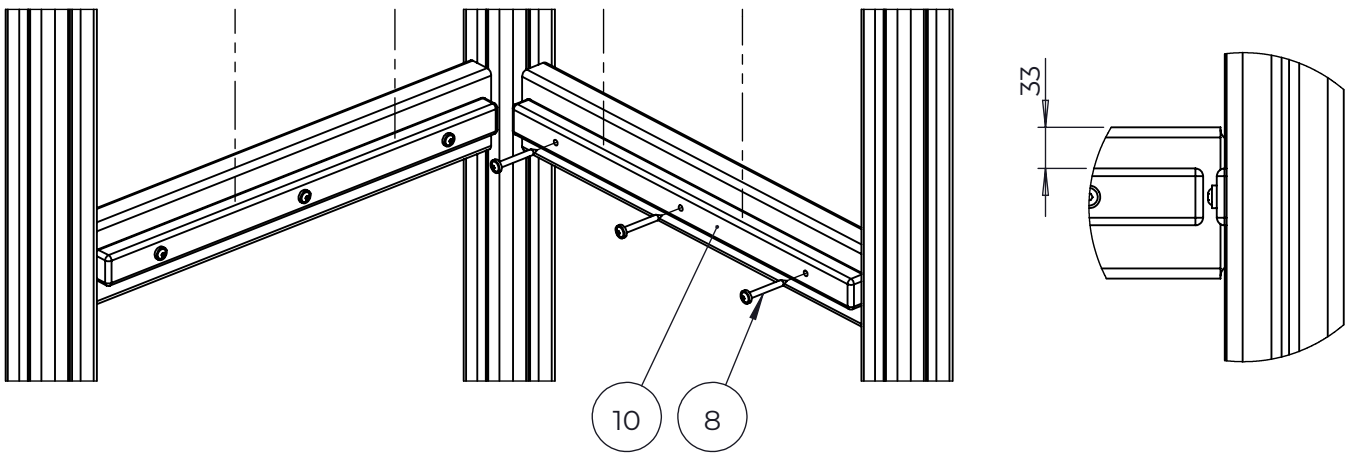
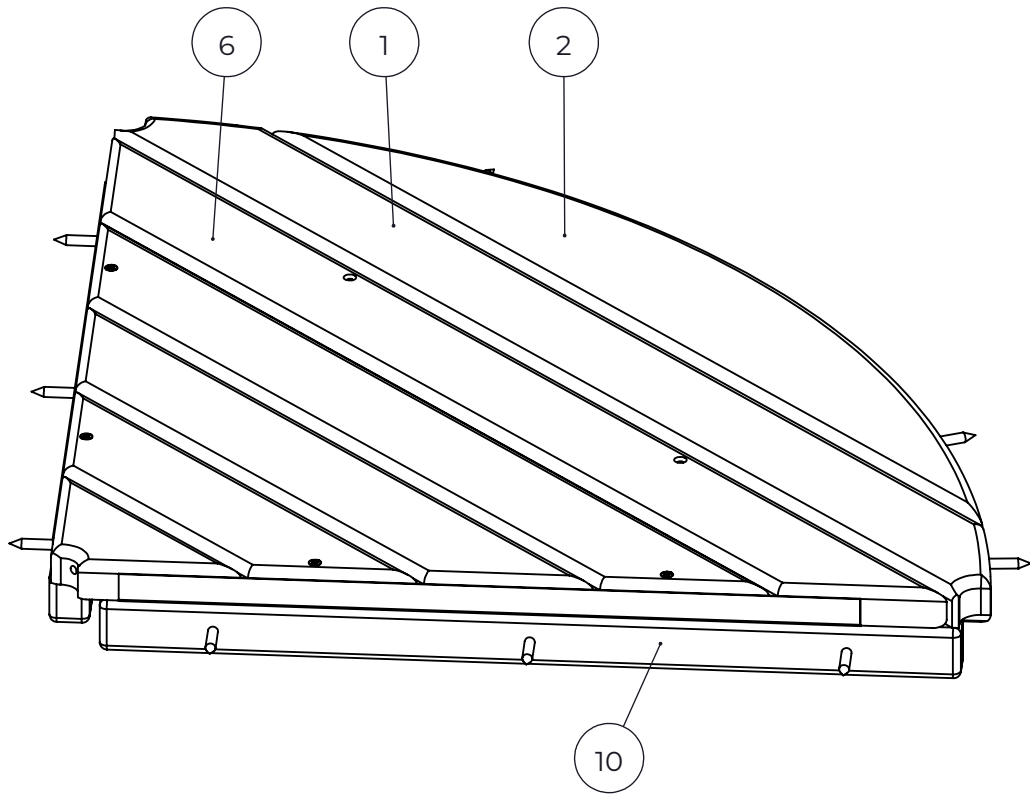


NO.	ITEM CODE			QTY.
1	712079	BOOM	45x120x715	1
2	903093	SPECIAL SCREW	Ø8x90	4

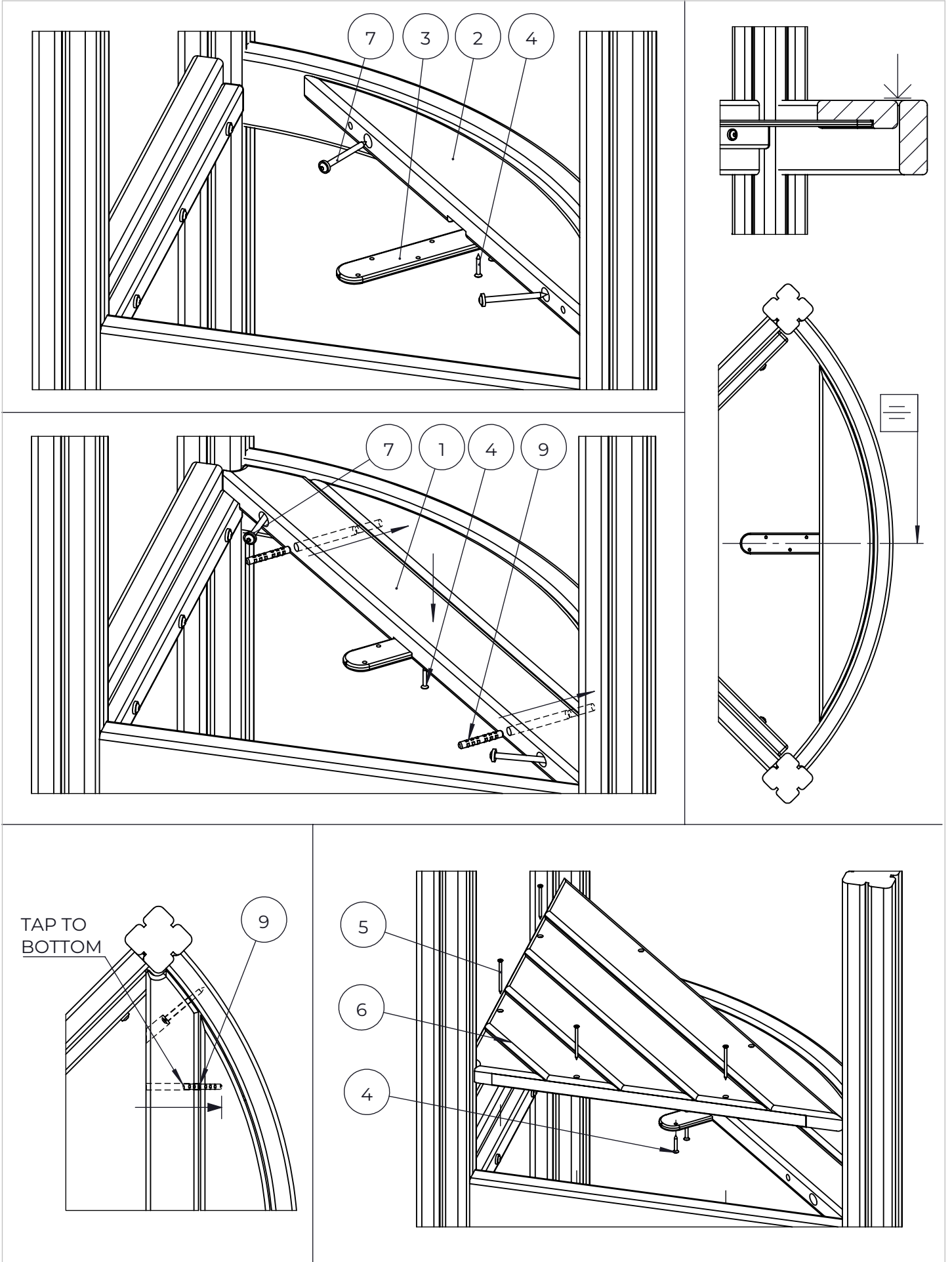


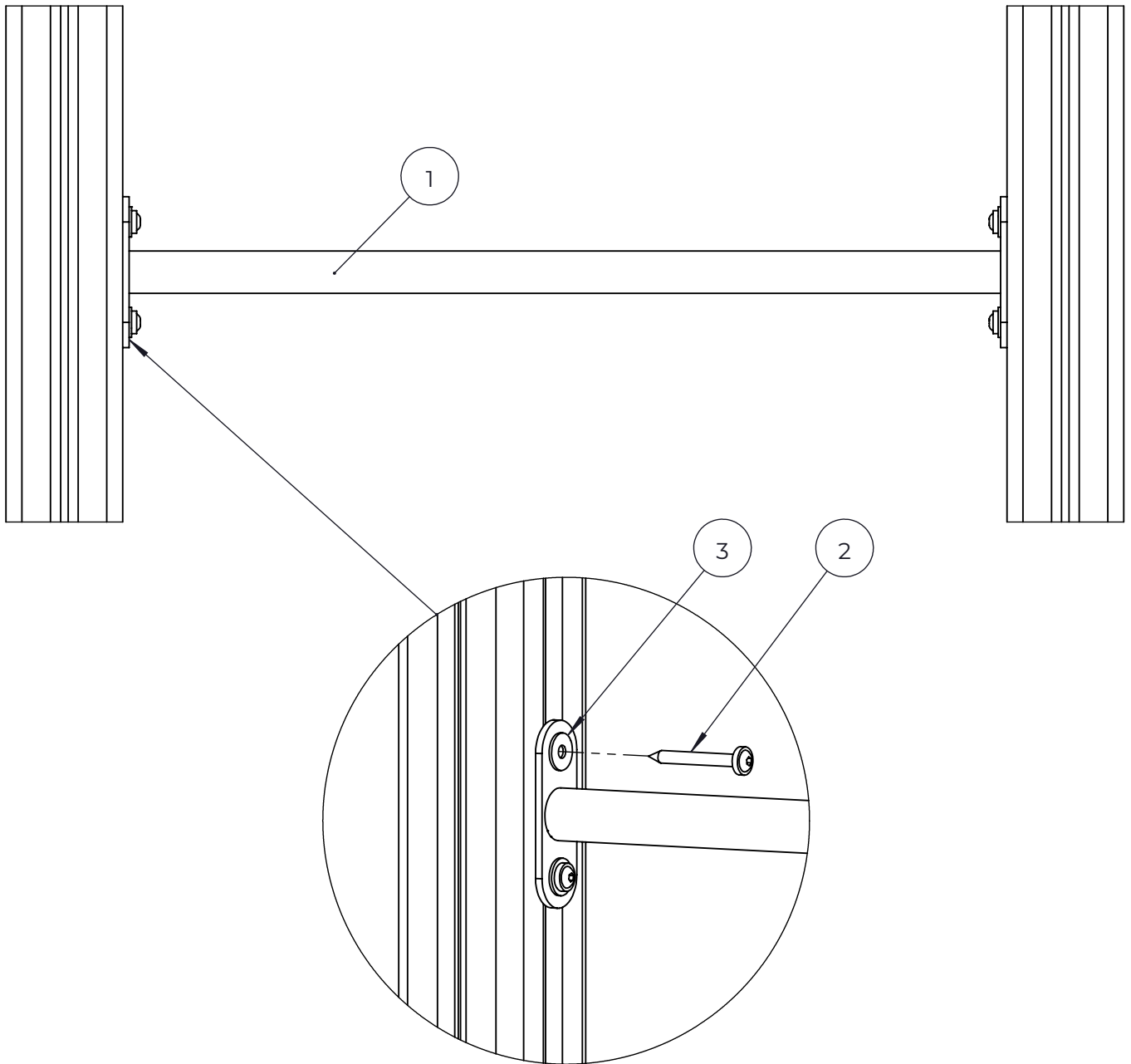
NO.	ITEM CODE			QTY.
1	914905	CHAIN		1
2	712587	PLATE	250x250x10	1
3	909636	SHACKEL	M6x38x24	2
4	906985	ALLEN SCREW	M6x25	2
5	900850	SPECIAL NUT	M6	1
6	909310	ALLEN SCREW	M6 x 16	1



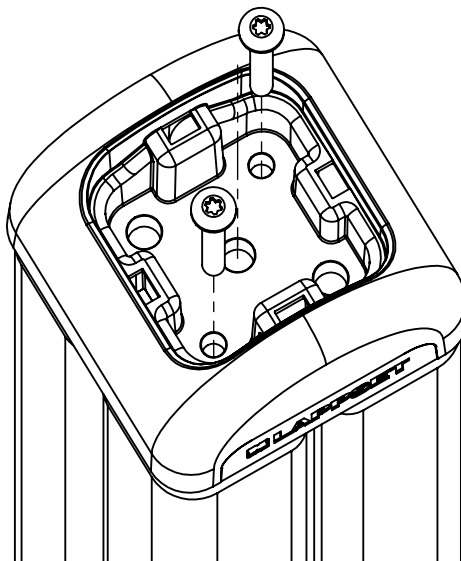
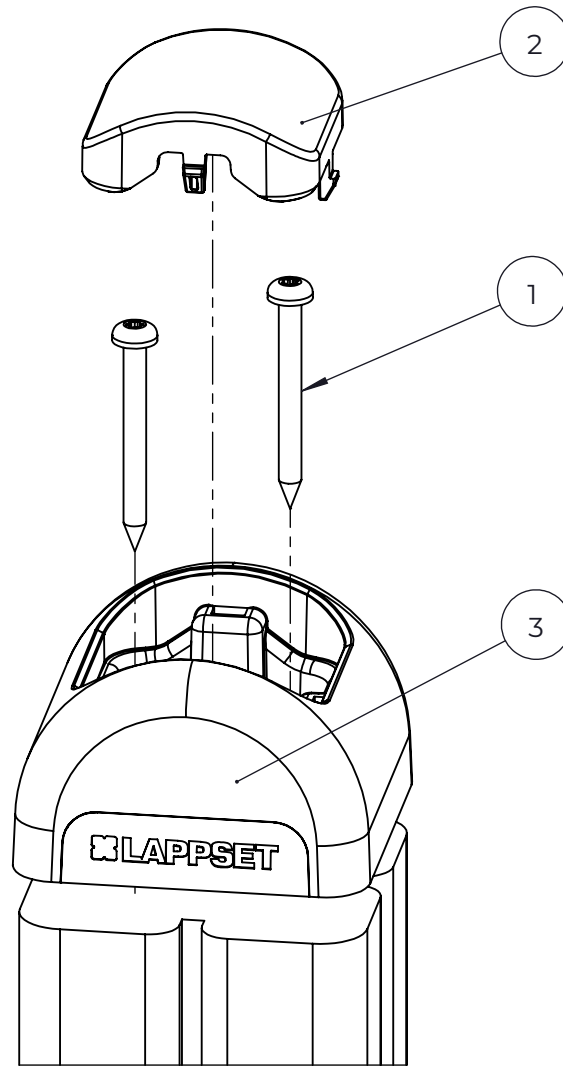


NO.	ITEM CODE			QTY.
1	710453	PLANK	45x95x1023	1
2	710405	PLANK	45x133x870	1
3	710466	PLATE	10x50x280	1
4	980129	SCREW	Ø5x35	6
5	980101	COUNTERSUNK SCREW	Ø4,5 x 70	4
6	712956	FLOOR ELEMENT	32x714x714	1
7	903093	SPECIAL SCREW	Ø8x90	4
8	900240	SPECIAL SCREW	Ø8x70	6
9	909567	PIN	Ø10 X 75	2
10	709709	STRIP	32x45x685	2

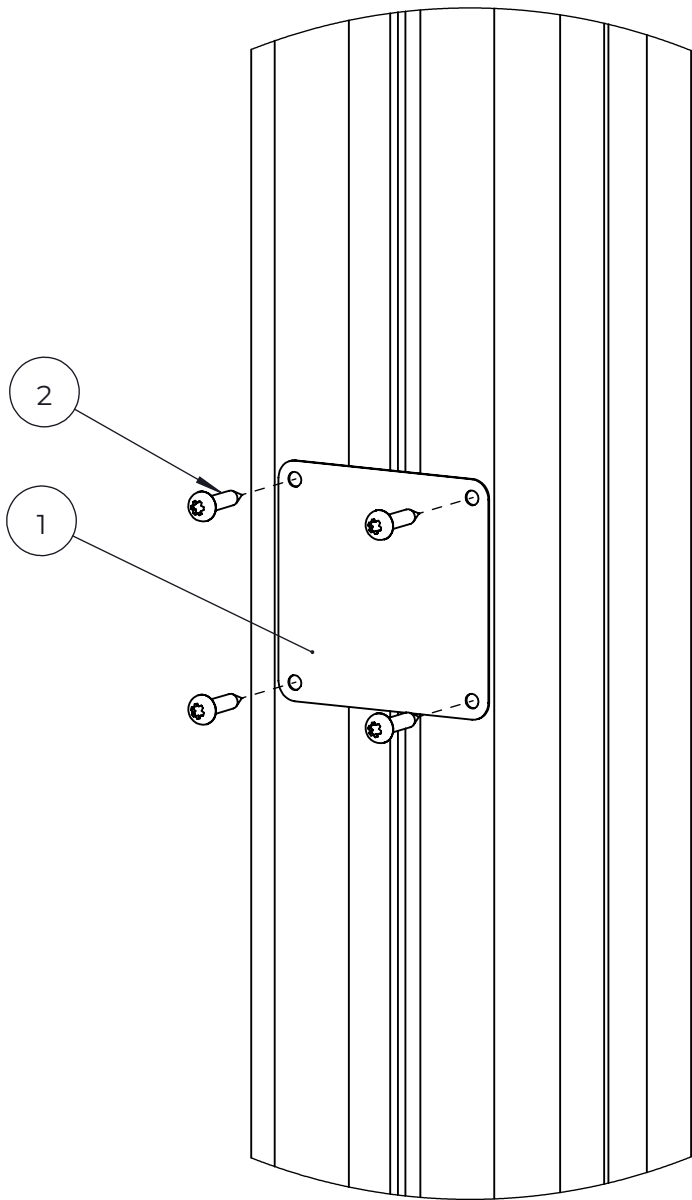




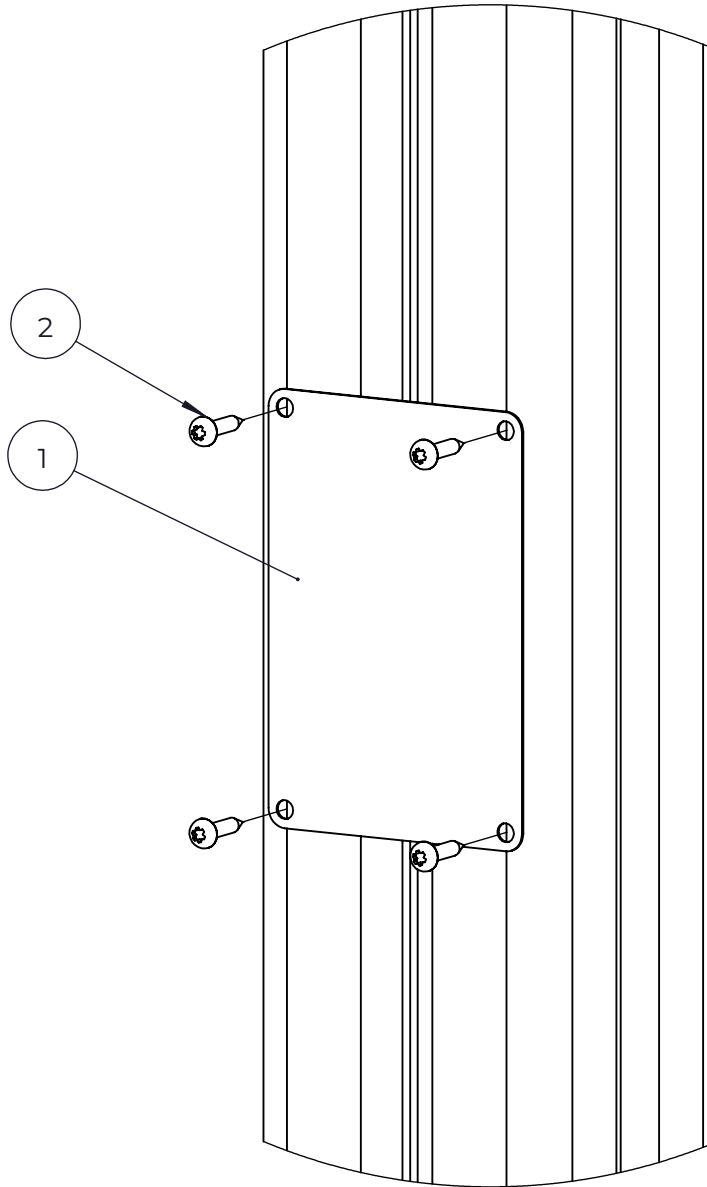
NO.	ITEM CODE			QTY.
1	914099	BAR ELEMENT	40x120x704	1
2	900240	SPECIAL SCREW	Ø8x70	4
3	980152	WASHER	Ø24/8.4x2	4



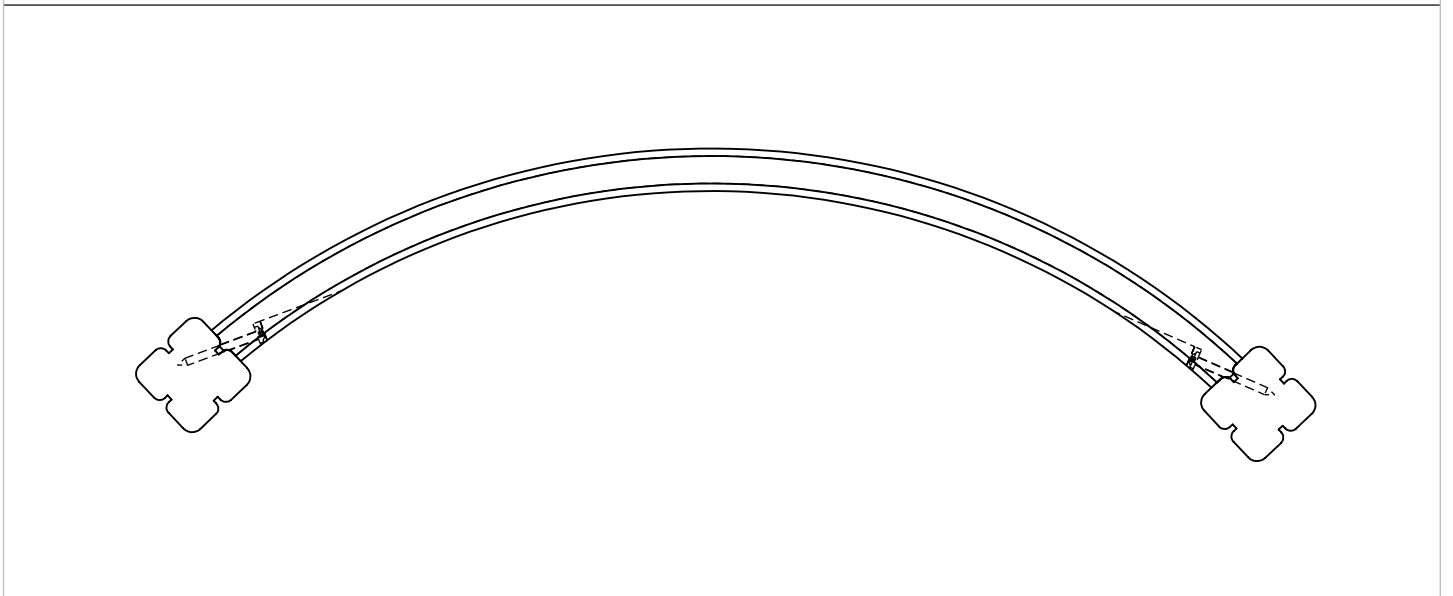
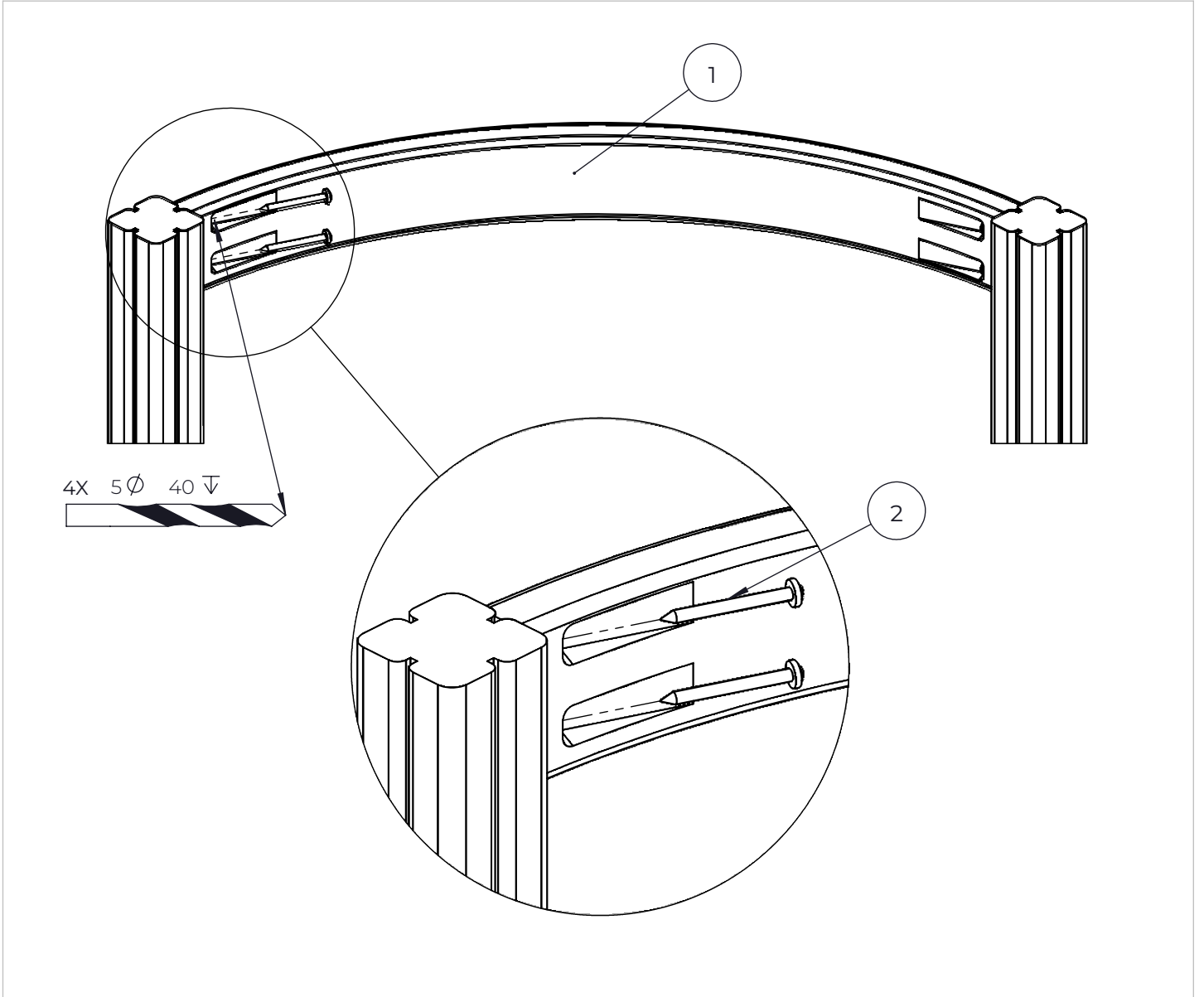
NO.	ITEM CODE			QTY.
1	980131	SCREW	Ø6x60	2
2	915379	TOP HAT COVER	67,5x67,6x34	1
3	915378	TOP HAT BASE	95x95x60	1



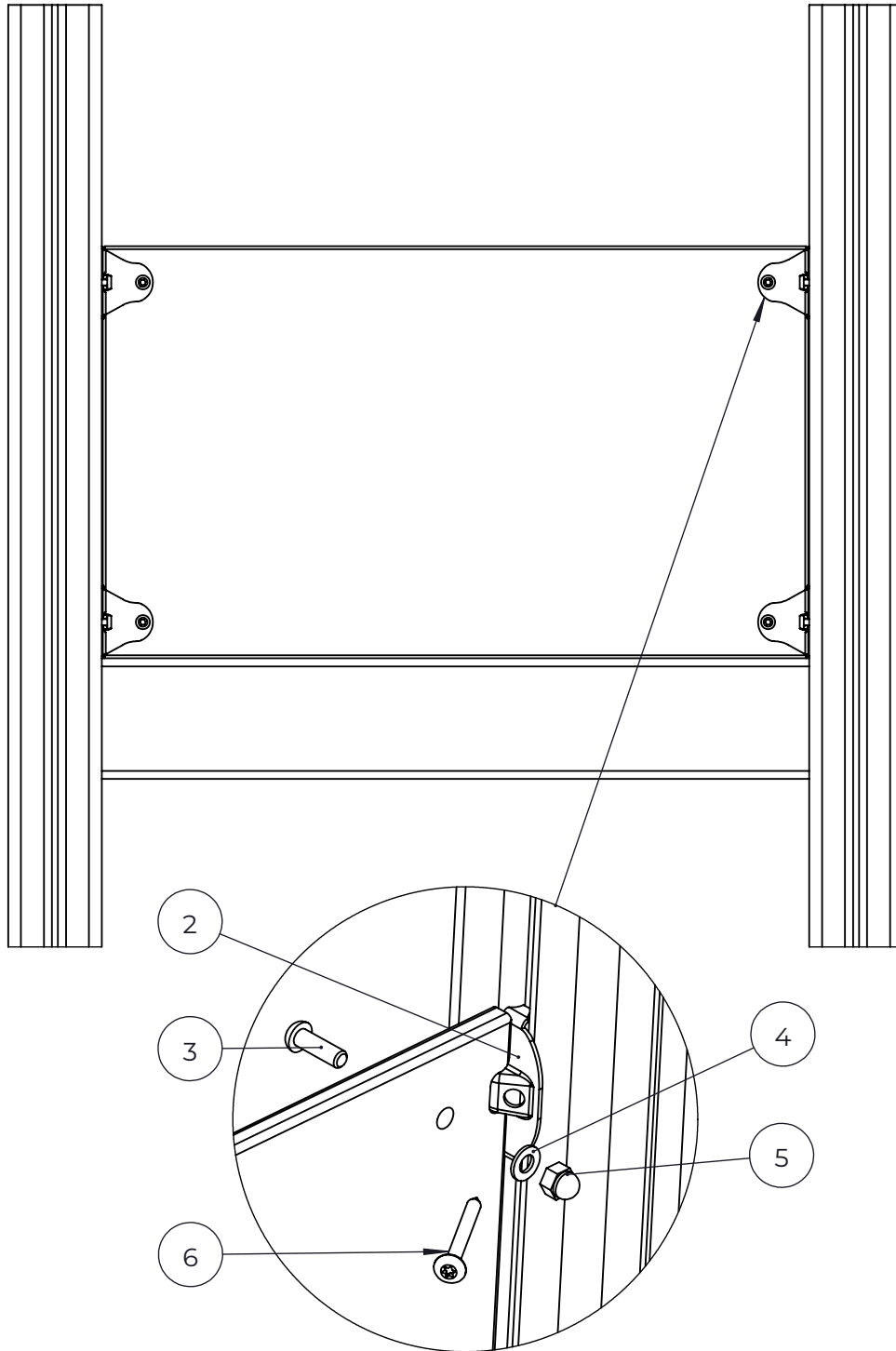
NO.	ITEM CODE			QTY.
1	702286	PRINTED LABEL	65x65	1
2	980114	SCREW	Ø4x20	4



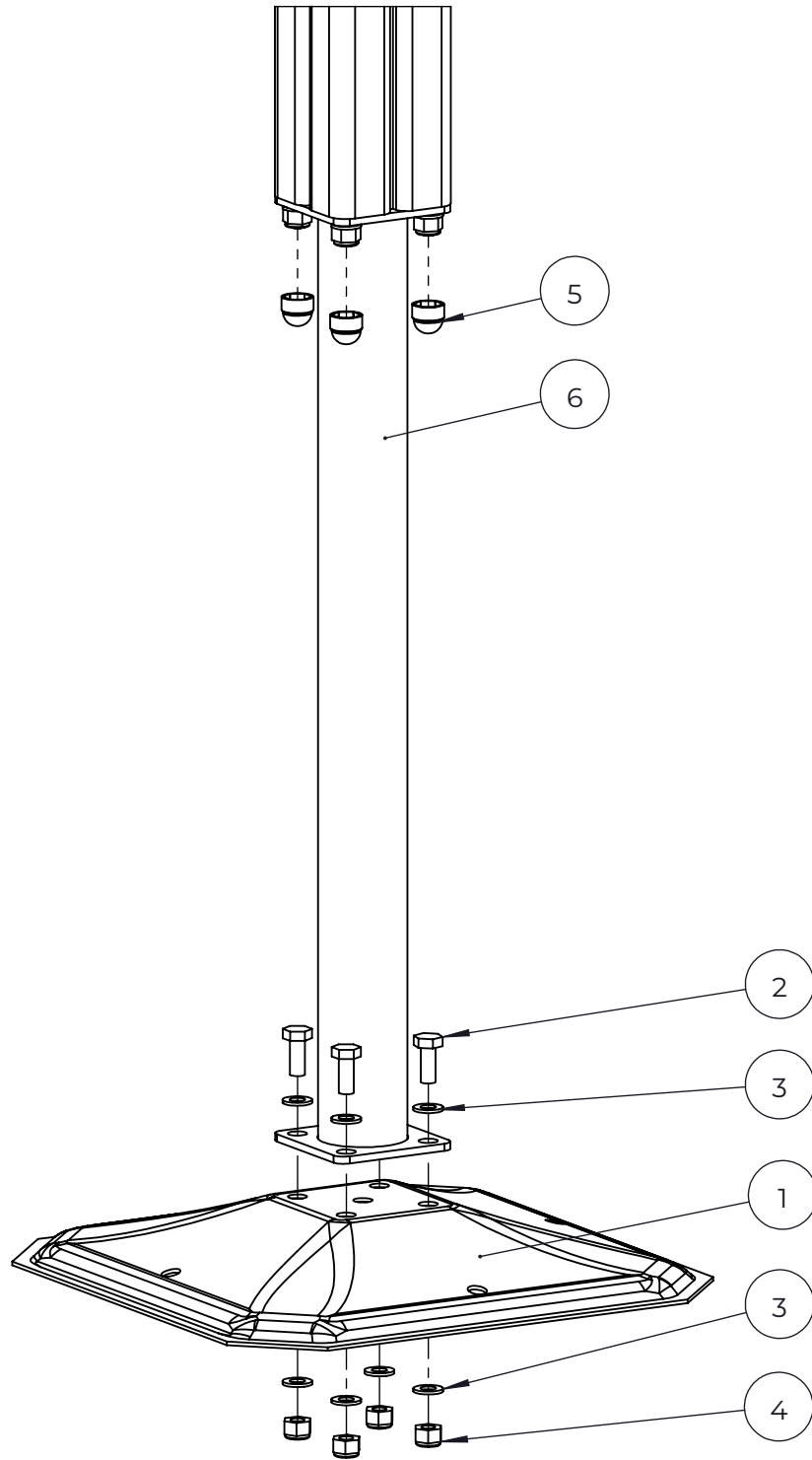
NO.	ITEM CODE			QTY.
1	702339	PRINTED LABEL	118x78	1
2	980114	SCREW	Ø4x20	4



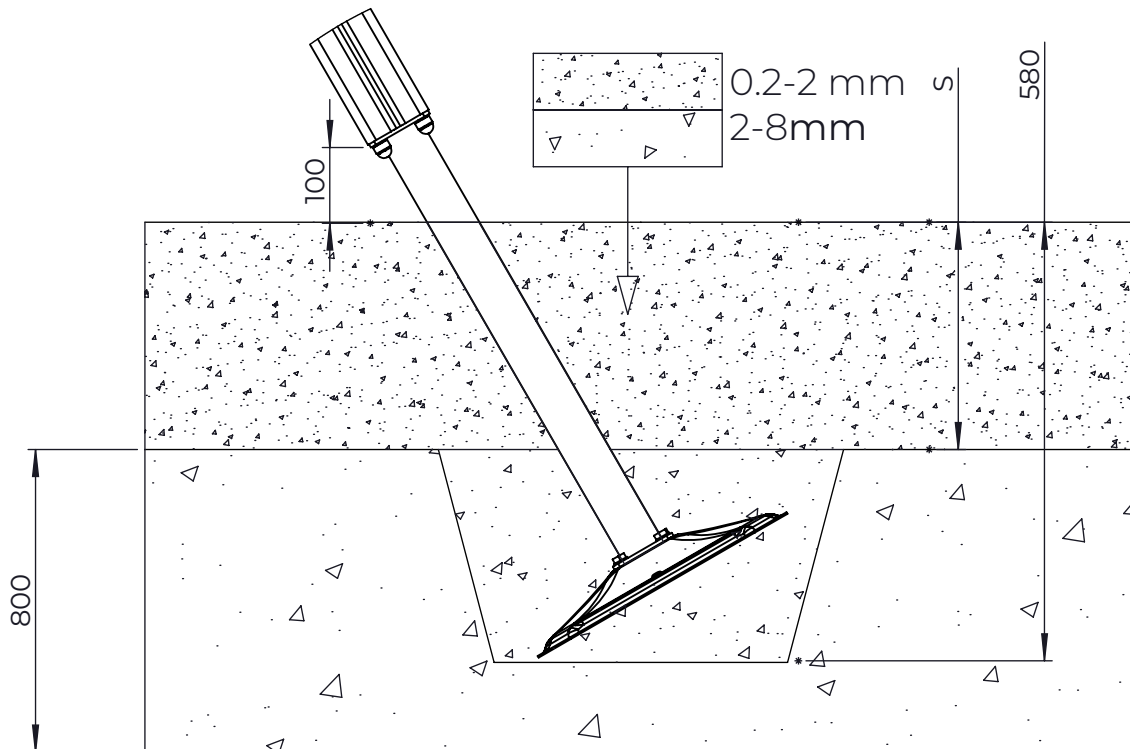
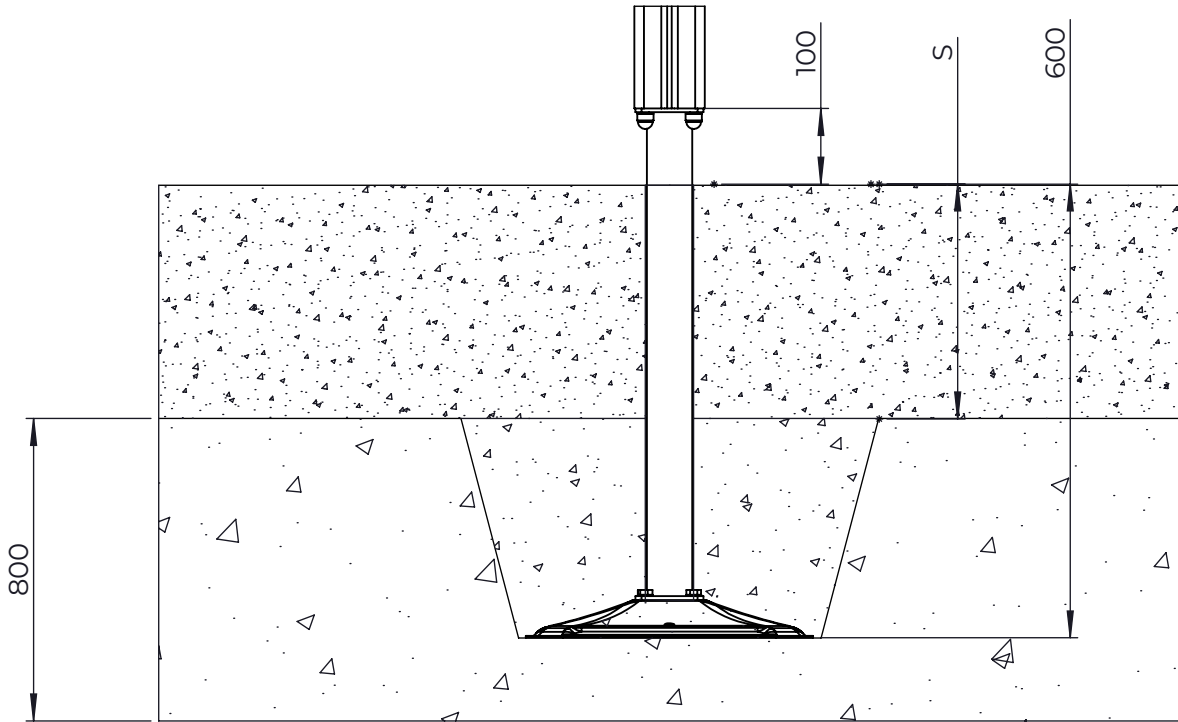
NO.	ITEM CODE			QTY.
1	711718	ARCH ELEMENT	45x120x1096	1
2	903093	SPECIAL SCREW	Ø8x90	4

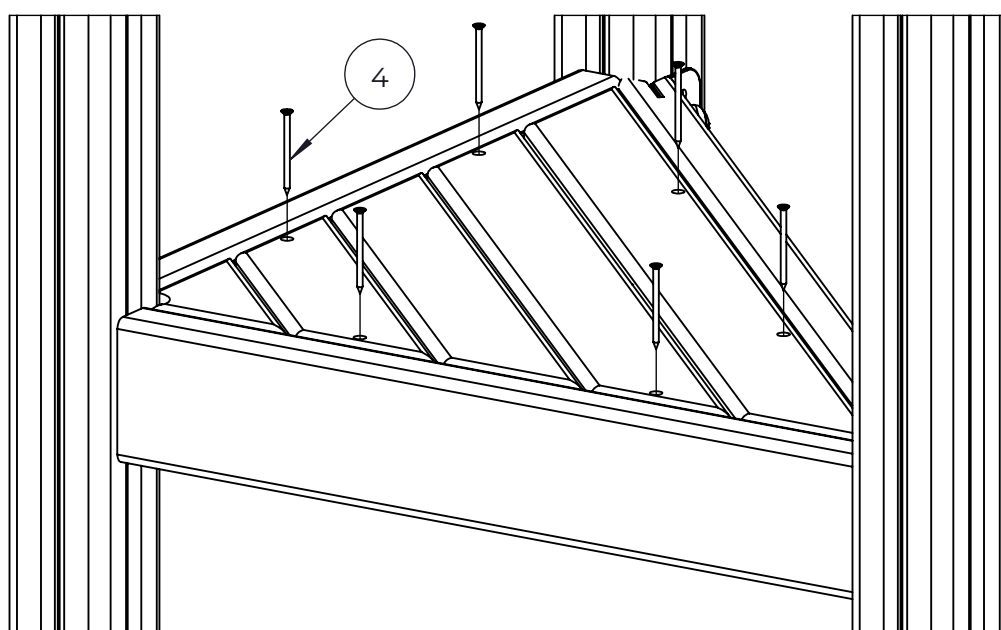
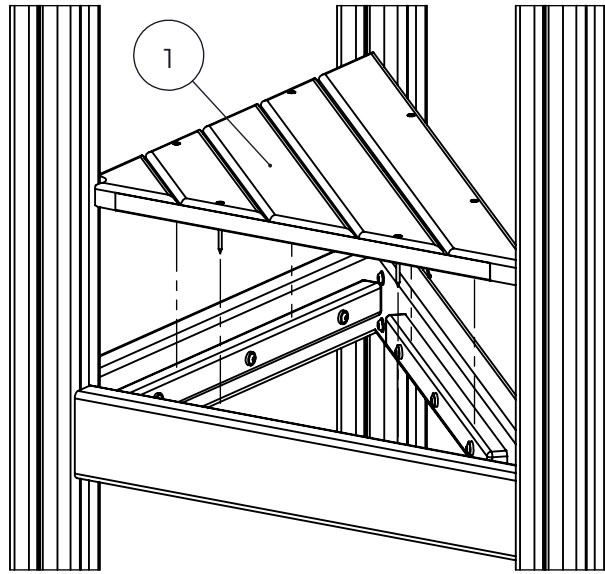
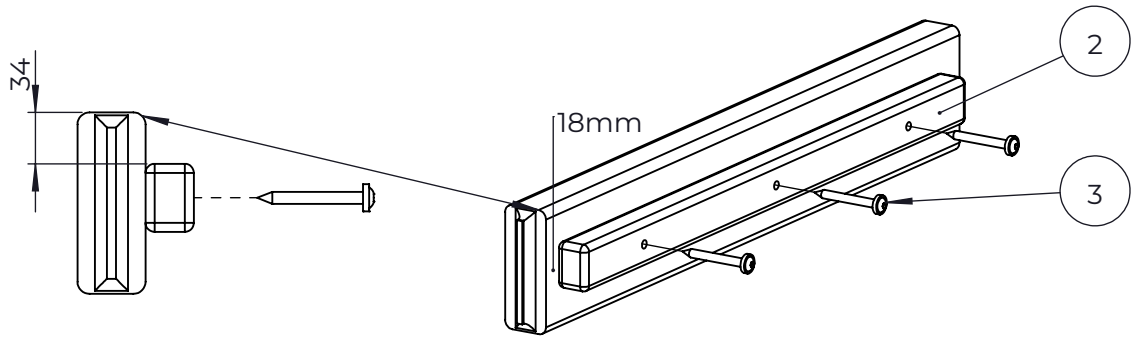


NO.	ITEM CODE			QTY.
2	903176	CLAMP		4
3	909850	ALLEN SCREW	M8x25	4
4	909256	WASHER	Ø16/8.4x1.6	4
5	909633	NUT	M8	4
6	980123	SPECIAL SCREW	Ø7x60	4

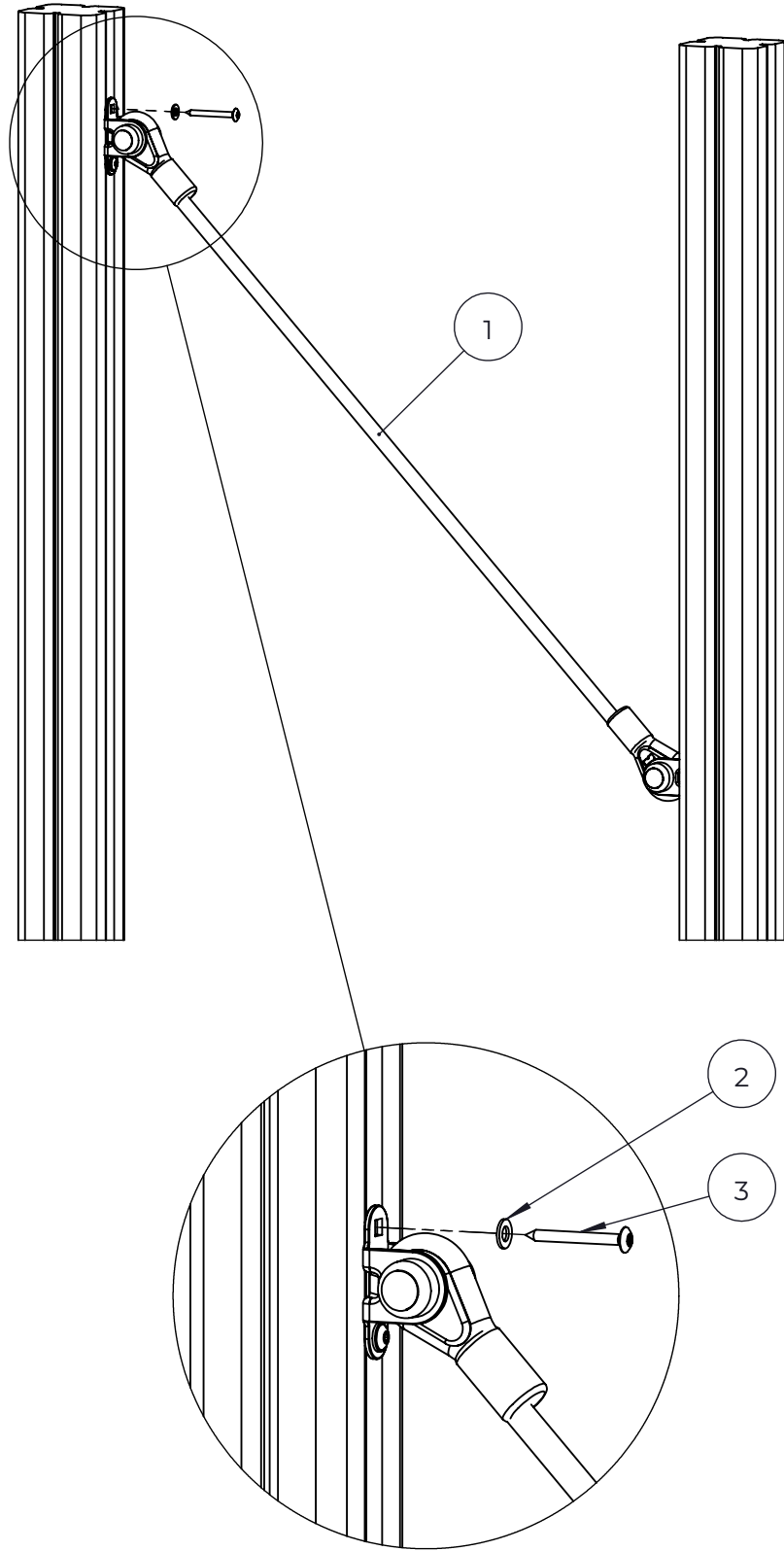


NO.	ITEM CODE			QTY.
1	909519	FOUNDATION PLATE	380 x 380 x 45	1
2	909639	BOLT	M10x25	4
3	909638	WASHER	Ø20 / 10.5	8
4	909637	NUT	M10	4
5	905104	OUTSIDE PLUG	M10	4
6	909511	FOUNDATION TUBE	90x90x650	1

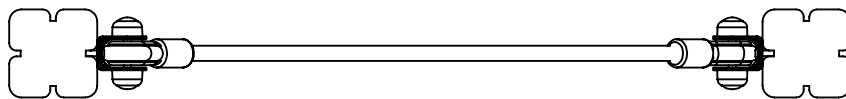
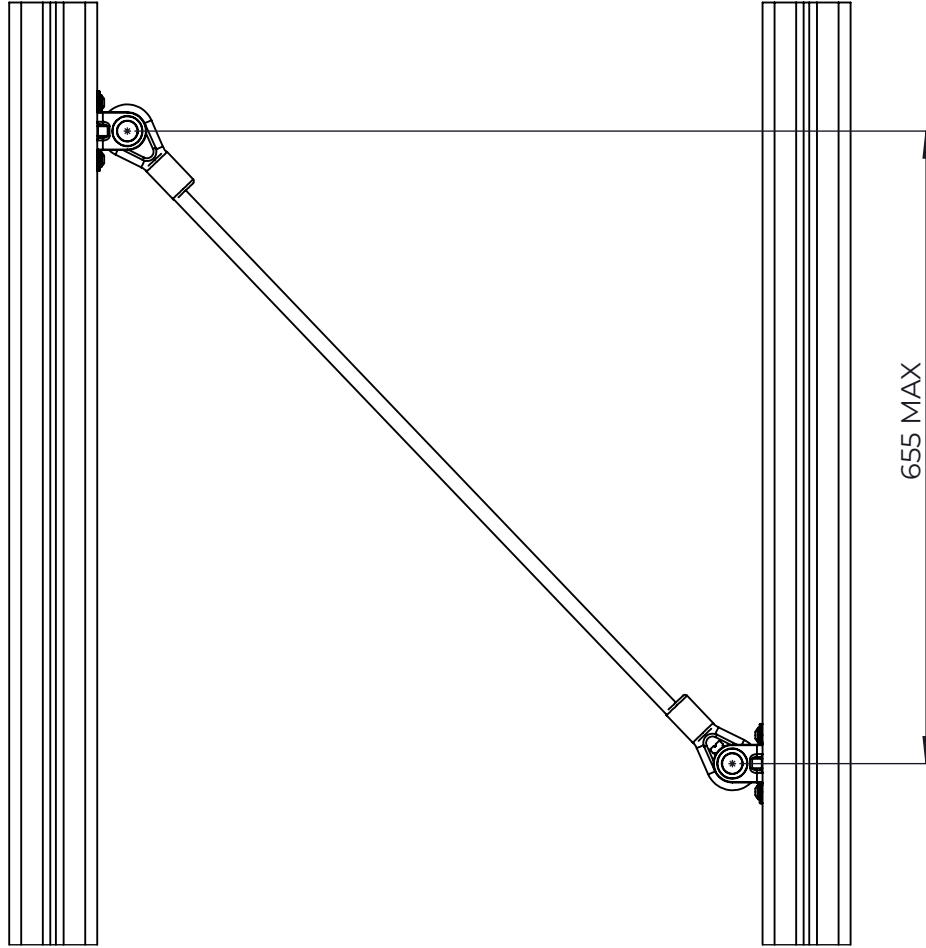


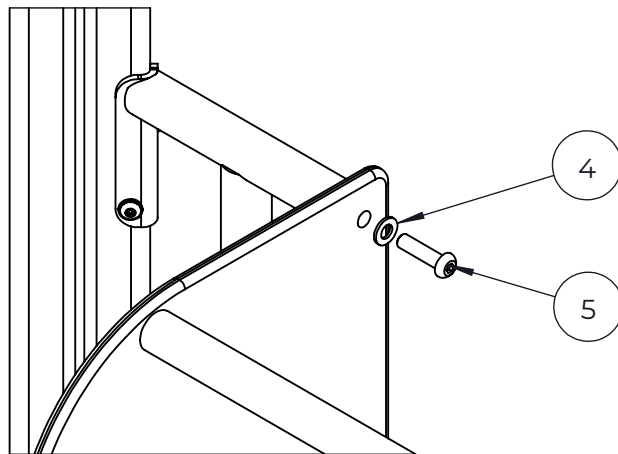
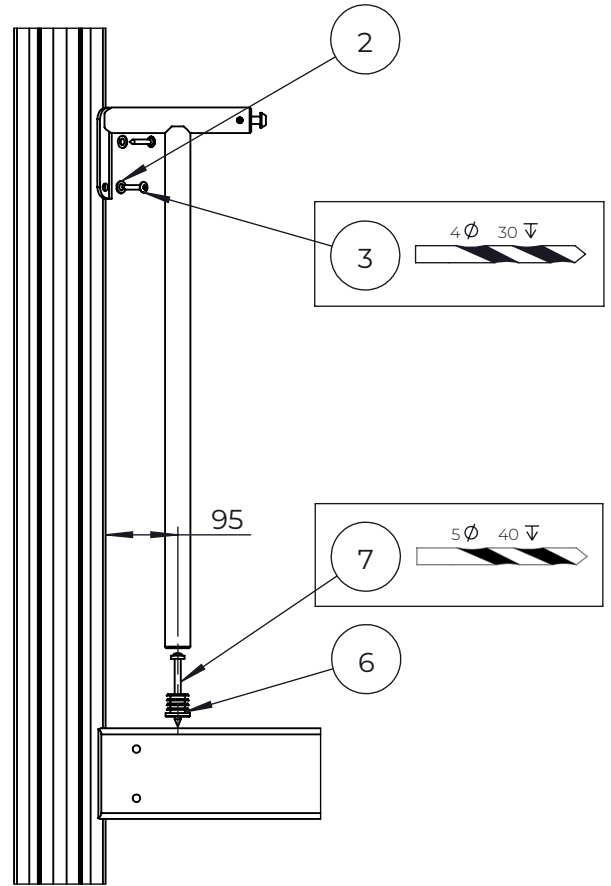
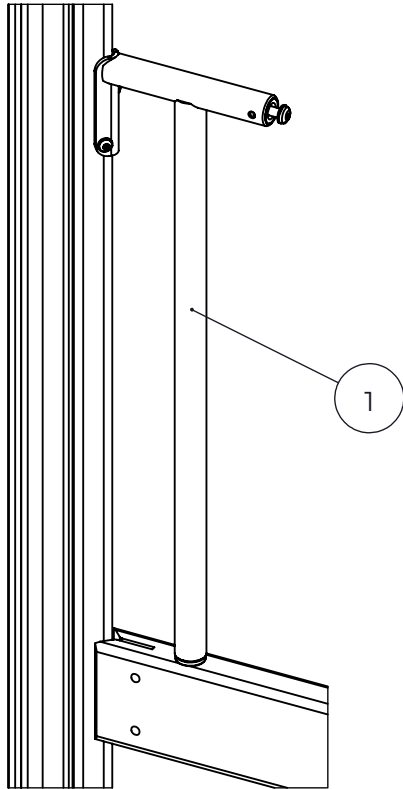


NO.	ITEM CODE			QTY.
1	712956-001	FLOOR ELEMENT	32x714x714	1
2	706508-001	STRIP	32x45x650	3
3	900240	SPECIAL SCREW	Ø8x70	9
4	980101	SCREW	Ø4.5x70	6

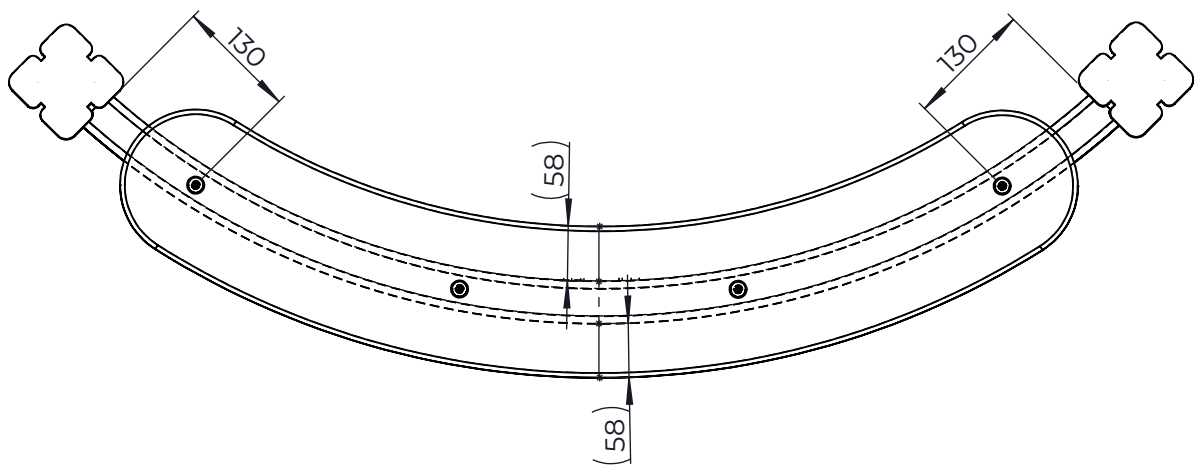
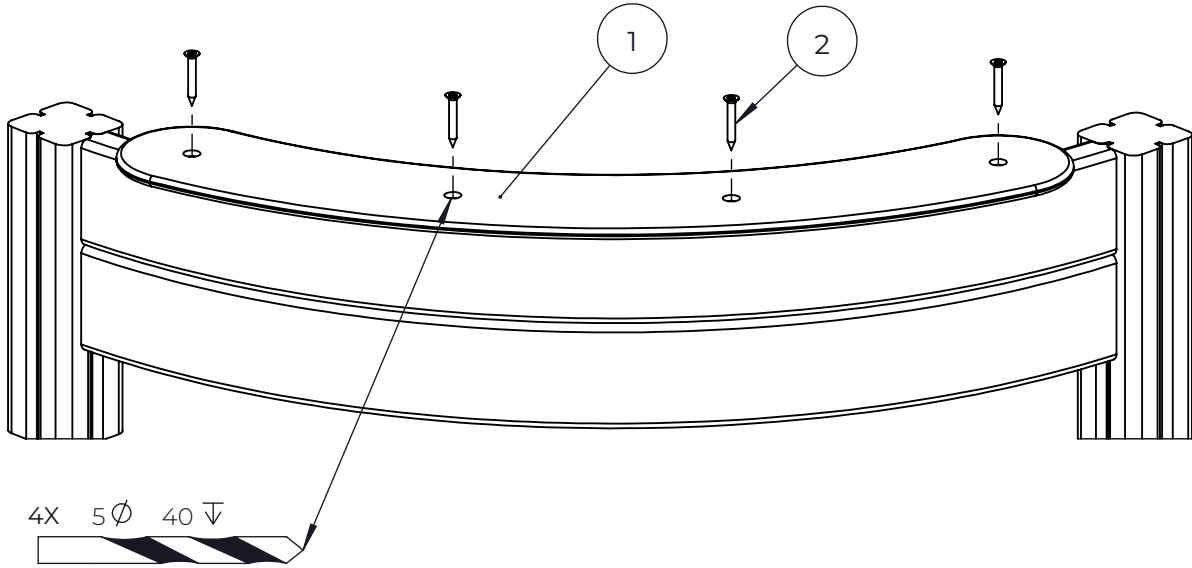


NO.	ITEM CODE			QTY.
1	713259	ROPE ELEMENT	L 926	1
2	909256	WASHER	Ø16/8.4x1.6	4
3	980123	SPECIAL SCREW	Ø7x60	4

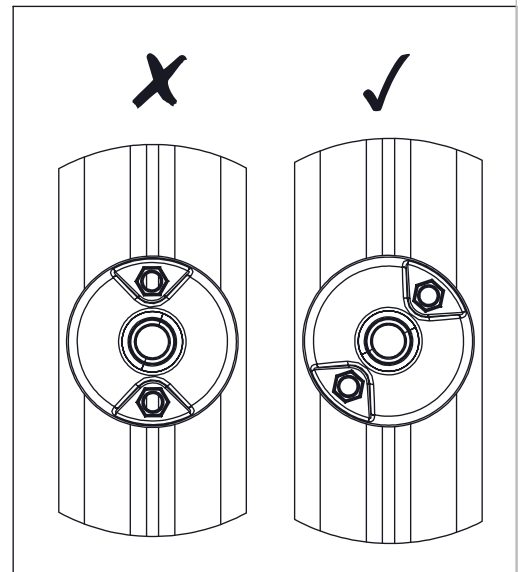
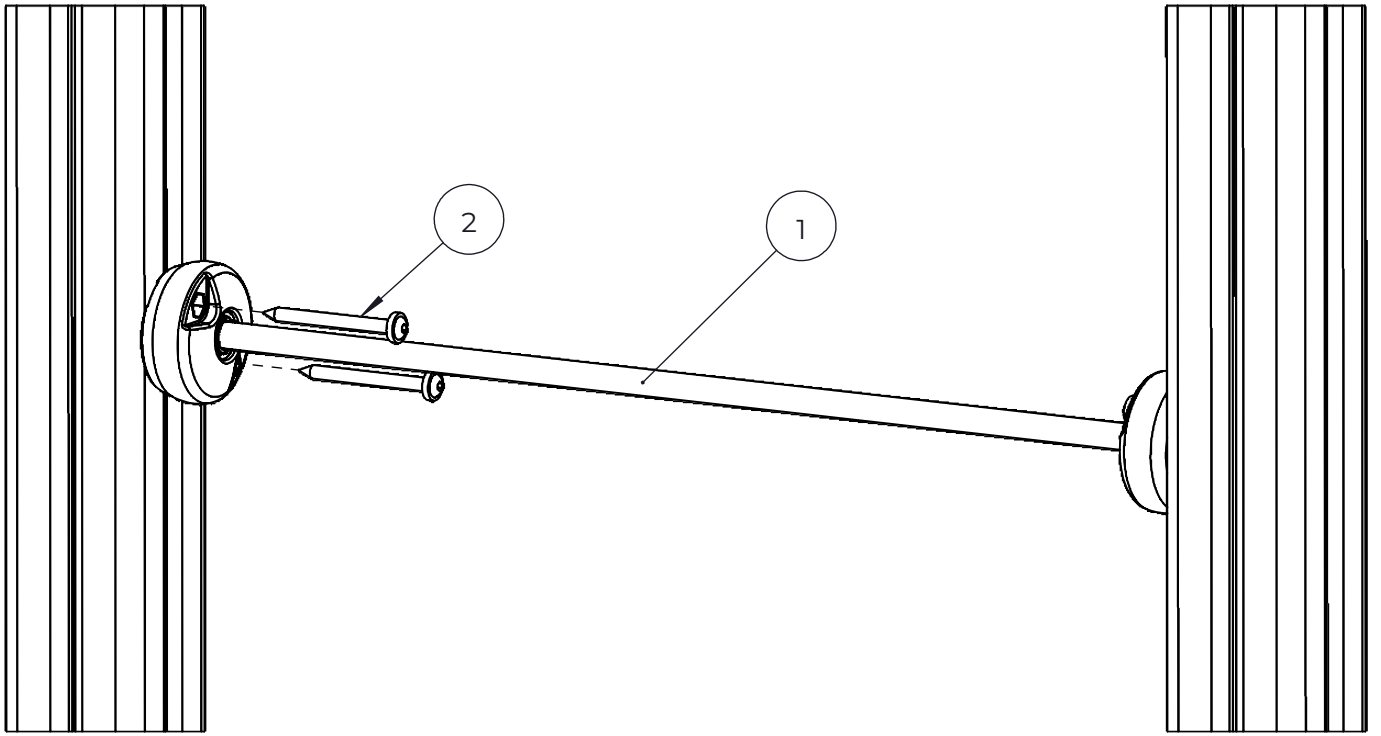




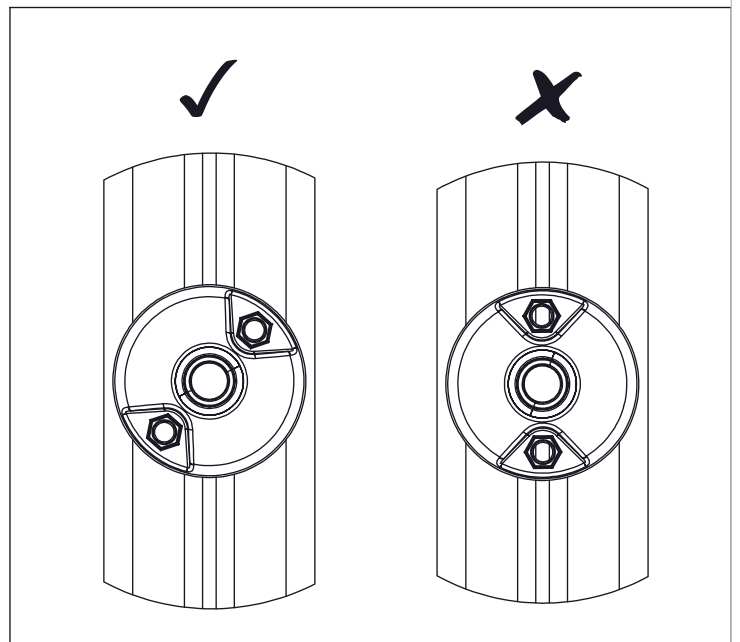
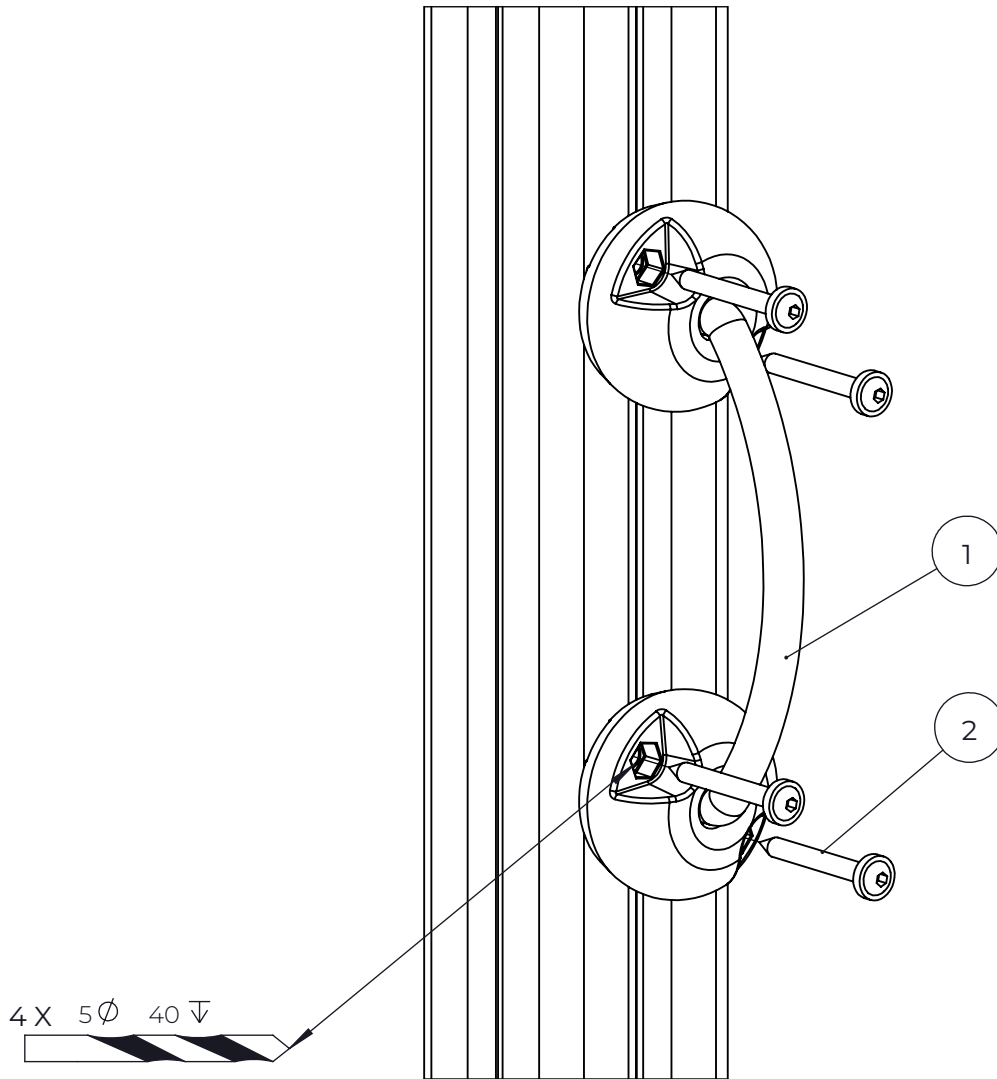
NO.	ITEM CODE			QTY.
1	914400	ADAPTER ELEMENT		1
2	909256	WASHER	Ø16/8.4x1.6	2
3	980128	SPECIAL SCREW	Ø7x40	2
4	901302	WASHER	Ø20/10.5x2	1
5	907727	ALLEN SCREW	M10x40	1
6	908057	CONNECTOR	Ø32/29-L5/30	1
7	903093	SPECIAL SCREW	Ø8x90	1



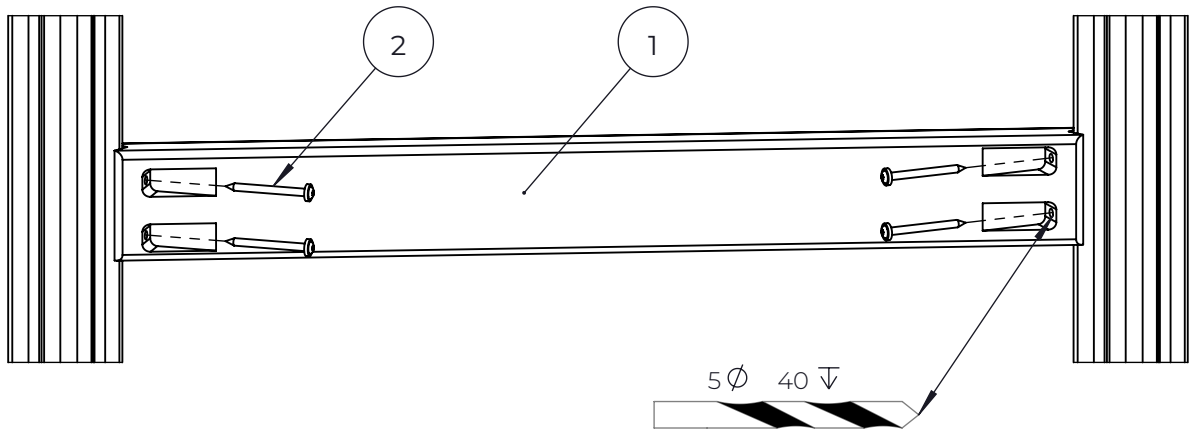
NO.	ITEM CODE			QTY.
1	711801	PLATE	12x283x1013	1
2	906630	SCREW	Ø8x60	4



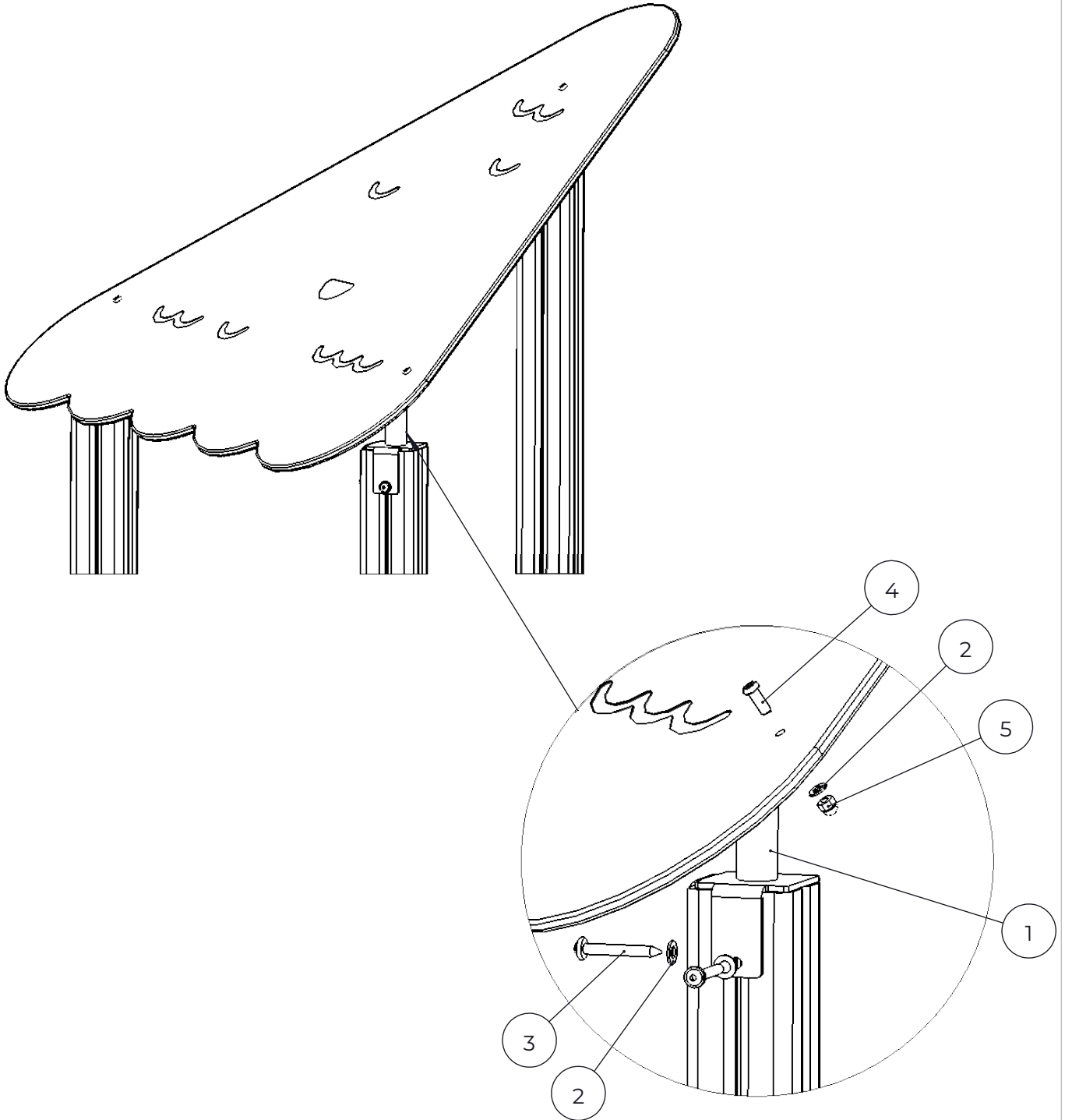
NO.	ITEM CODE			QTY.
1	709649	ROPE FENCE	Ø16x705	1
2	903093	SPECIAL SCREW	Ø8x90	4



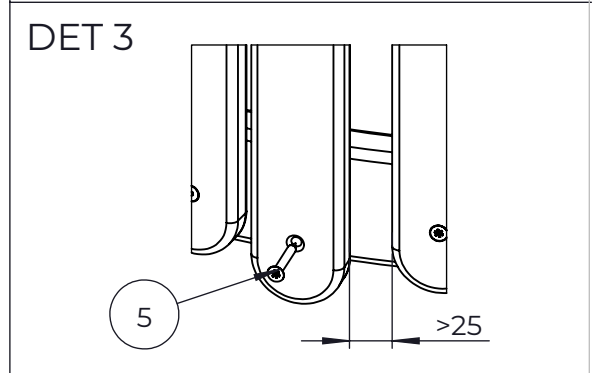
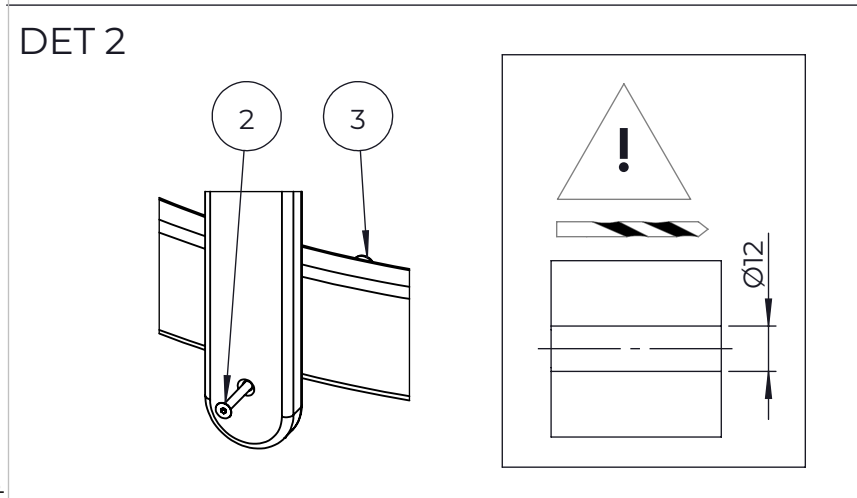
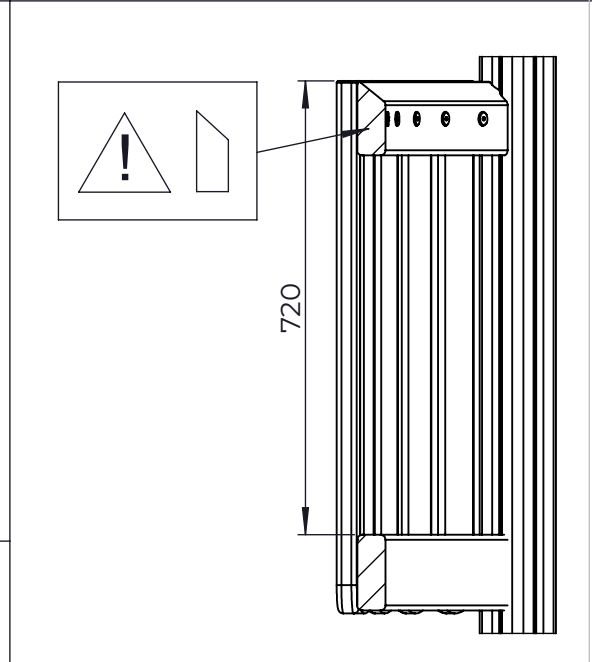
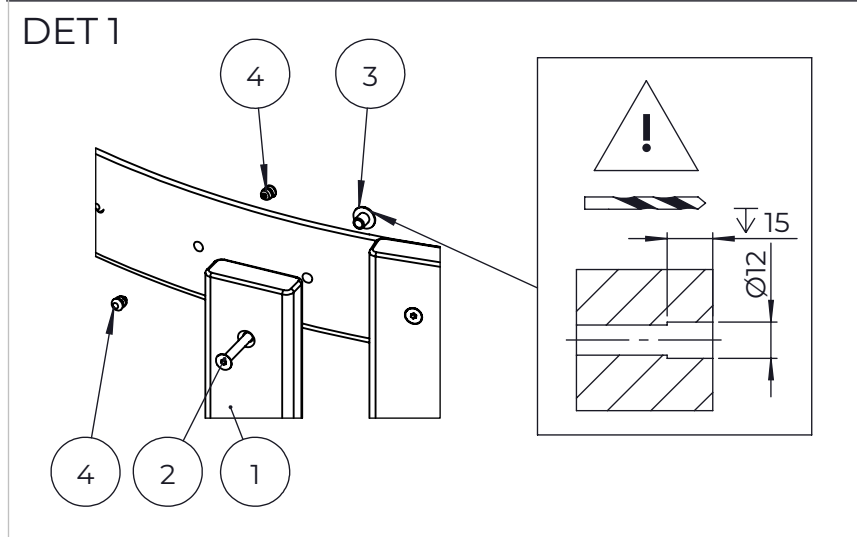
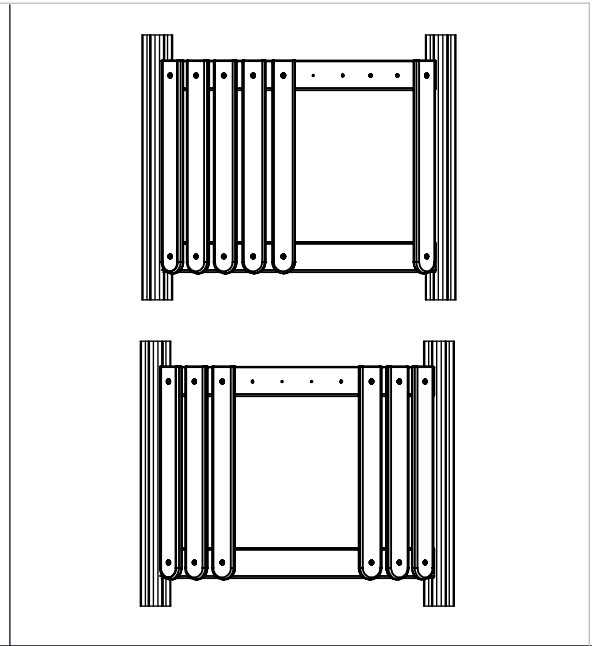
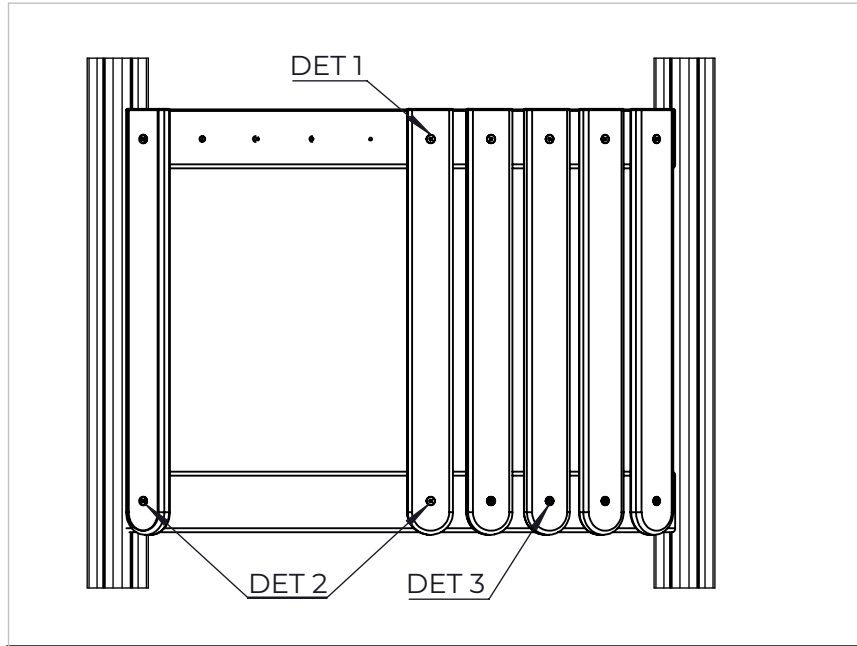
NO.	ITEM CODE			QTY.
1	705510	ROPE		1
2	900240	SPECIAL SCREW	Ø8x70	4



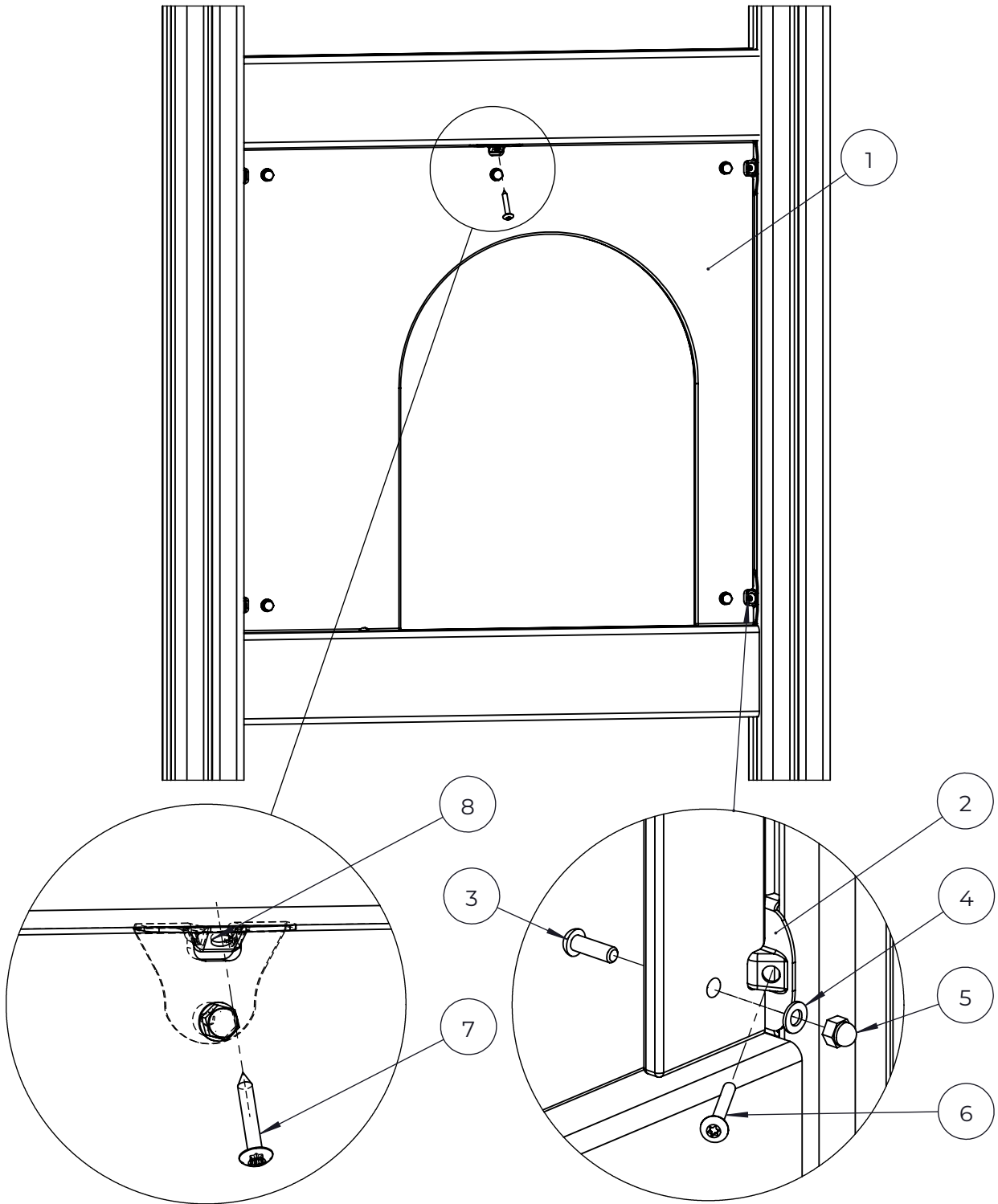
NO.	ITEM CODE			QTY.
1	713149	BOOM	80M DIAGONAL	1
2	903093	SPECIAL SCREW	Ø8x90	4



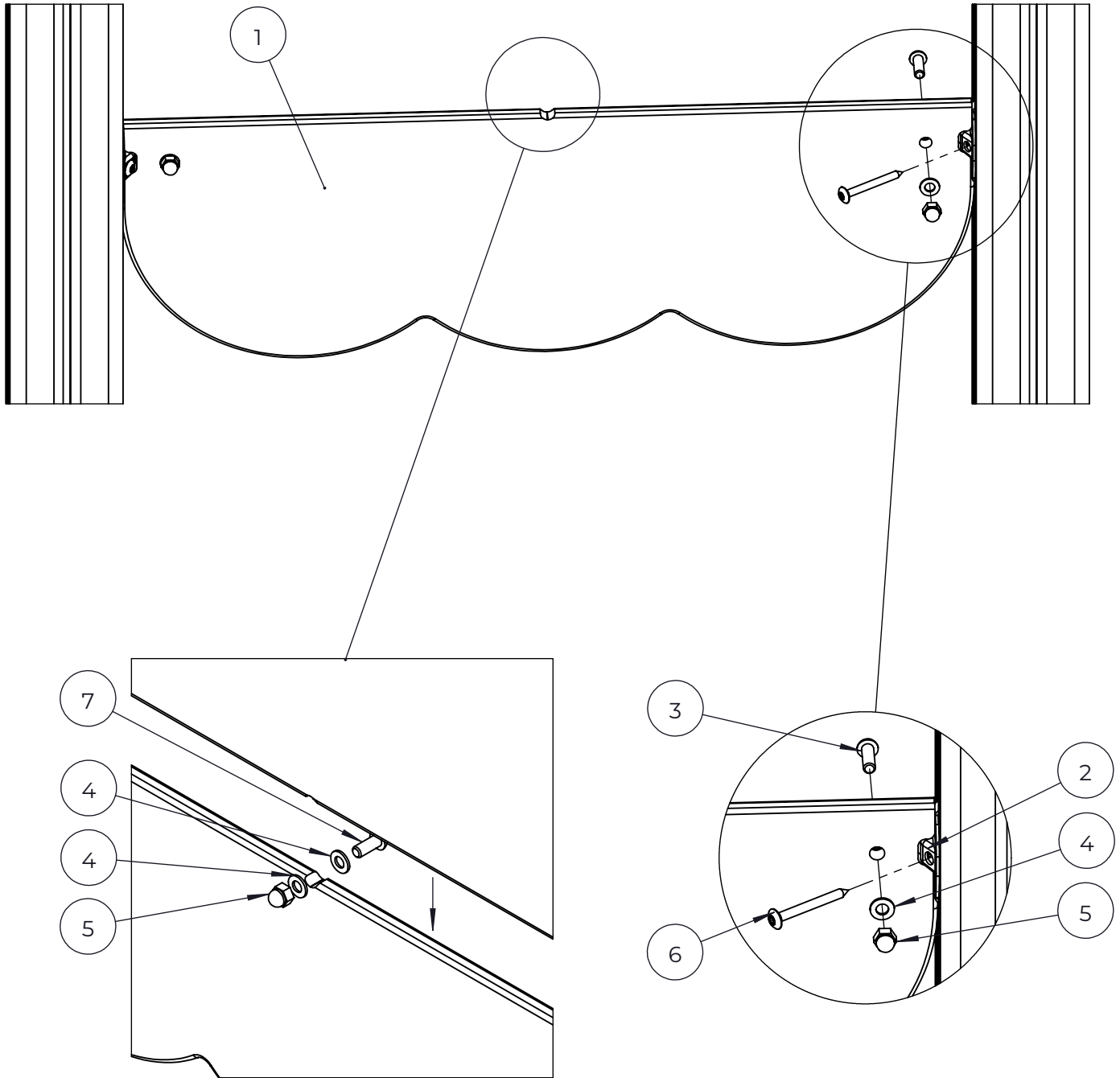
NO.	ITEM CODE			QTY.
1	915527	ATTACHMENT PIECE	95x95x204	3
2	909256	WASHER	Ø16/8.4x1.6	9
3	900240	SPECIAL SCREW	Ø8x70	6
4	909850	ALLEN SCREW	M8x25	3
5	909633	NUT	M8	3



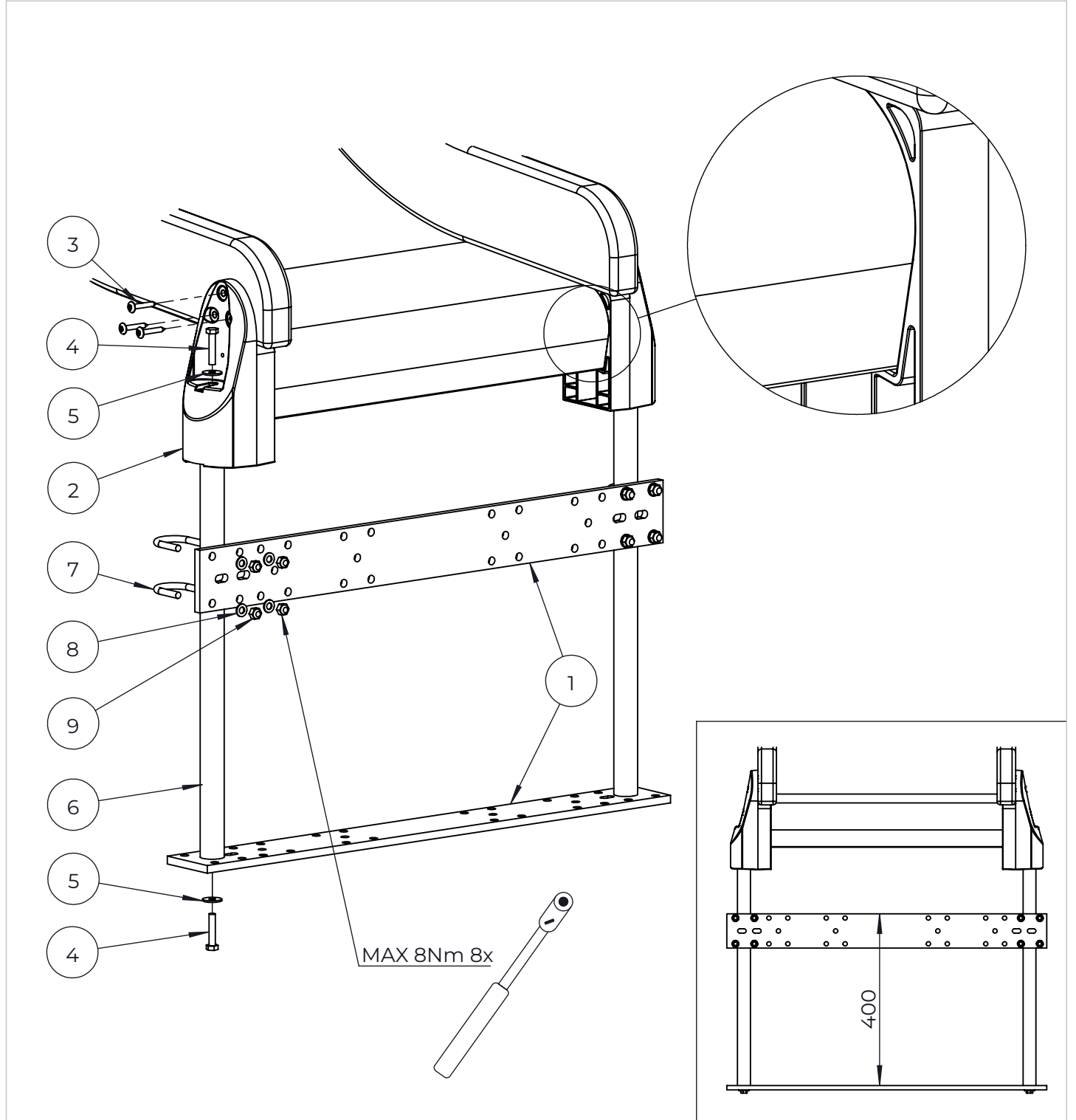
NO.	ITEM CODE			QTY.
1	710471	LATH	32x95x845	6
2	911808	COUNTERSUNK SCREW	M8x70	8
3	914858	SPECIAL NUT	M8x12	8
4	903533	PEITETULPPA	$\varnothing 9$	8
5	906630	SCREW	$\varnothing 8 \times 60$	4



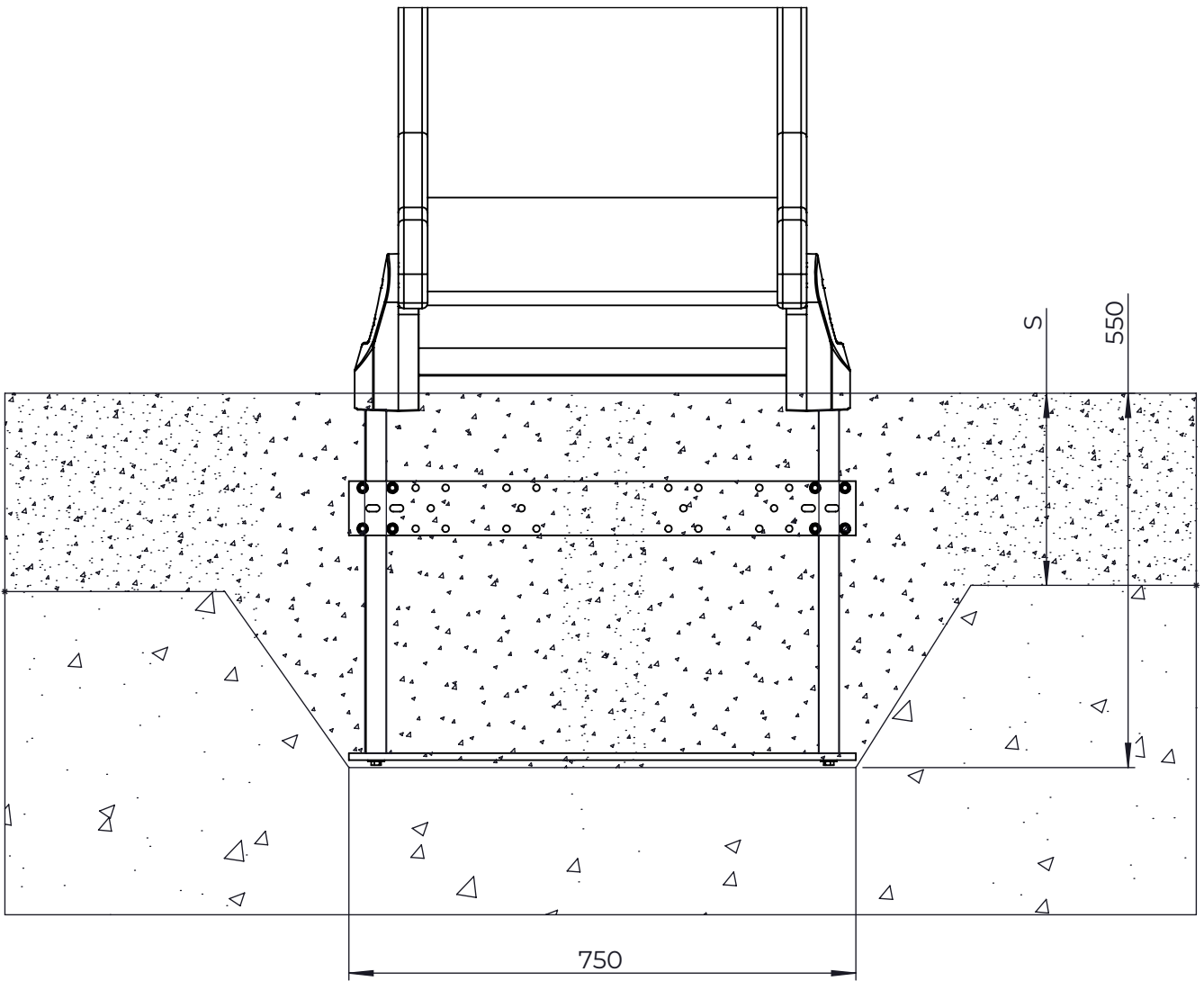
NO.	ITEM CODE			QTY.
1	712468	PLATE	12x640x702	1
2	903176	CLAMP		4
3	909850	ALLEN SCREW	M8x25	5
4	909256	WASHER	Ø16/8.4x1.6	5
5	909633	NUT	M8	5
6	980123	SPECIAL SCREW	Ø7x60	4
7	980128	SPECIAL SCREW	Ø7x40	1
8	903215	CLAMP		1

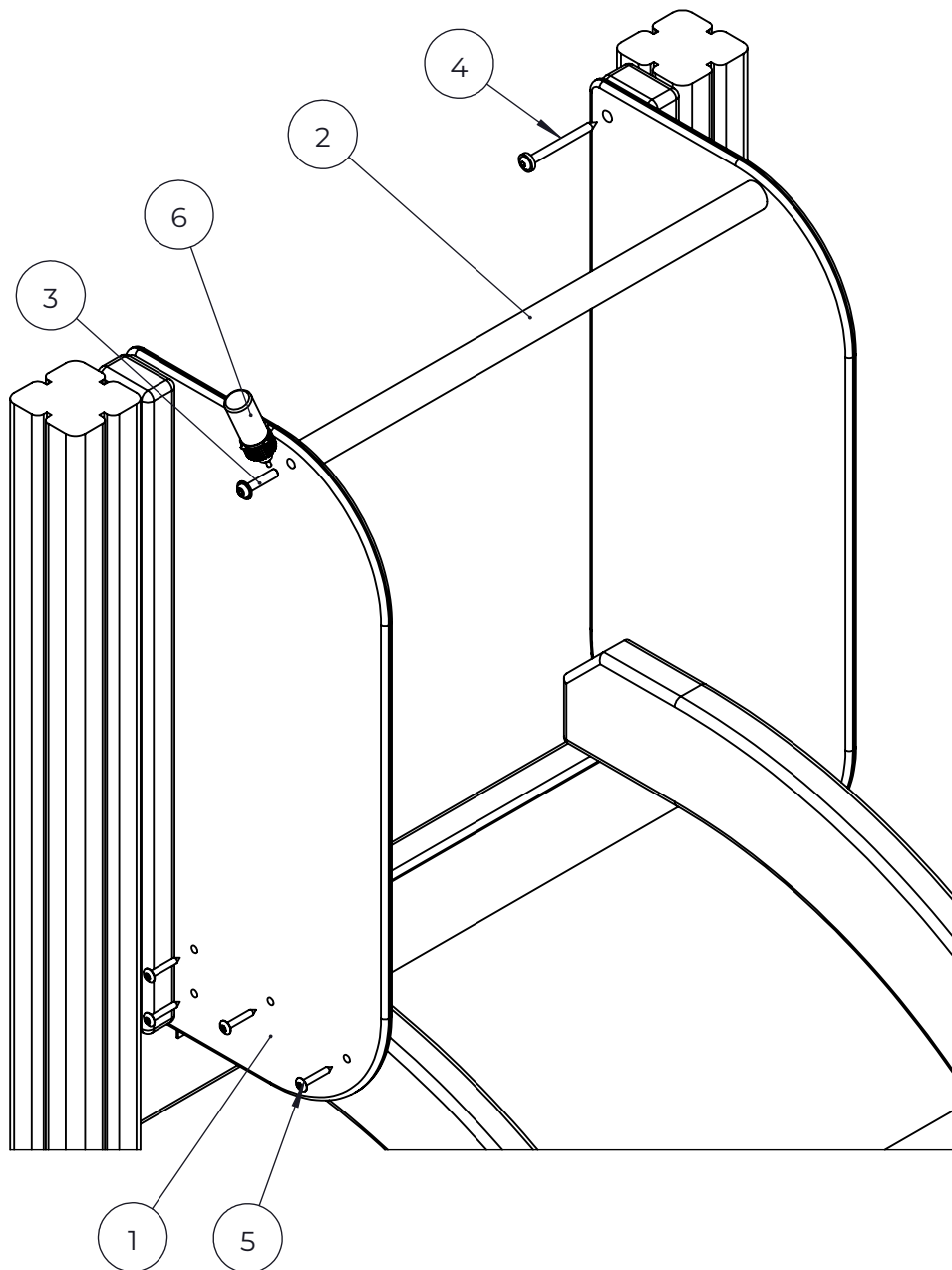


NO.	ITEM CODE			QTY.
1	711676	PLATE	12x230x702	1
2	903176	CLAMP		2
3	909850	ALLEN SCREW	M8x25	2
4	909256	WASHER	Ø16/8.4x1.6	4
5	909633	NUT	M8	3
6	980123	SPECIAL SCREW	Ø7x60	2
7	905827	ALLEN SCREW	M8x20	1



NO.	ITEM CODE			QTY.
1	707133	PLATE	10x80x745	2
2	901879	CLAMP		2
3	980128	SPECIAL SCREW	Ø7x40	6
4	909210	BOLT	M8x40	4
5	905051	WASHER	Ø24/8.4	4
6	901868	BAR		2
7	901115	U-BOLT		4
8	909256	WASHER	Ø16/8.4x1.6	8
9	980160	NUT	M8	8





NO.	ITEM CODE			QTY.
1	711709	PLATE	12x343x747	2
2	914171	RAIL	Ø34x598	1
3	909876	ALLEN SCREW	M8x40	2
4	903093	SPECIAL SCREW	Ø8x90	2
5	980128	SPECIAL SCREW	Ø7x40	8
6	999561	THREAD GLUE HARD	10 g	1