

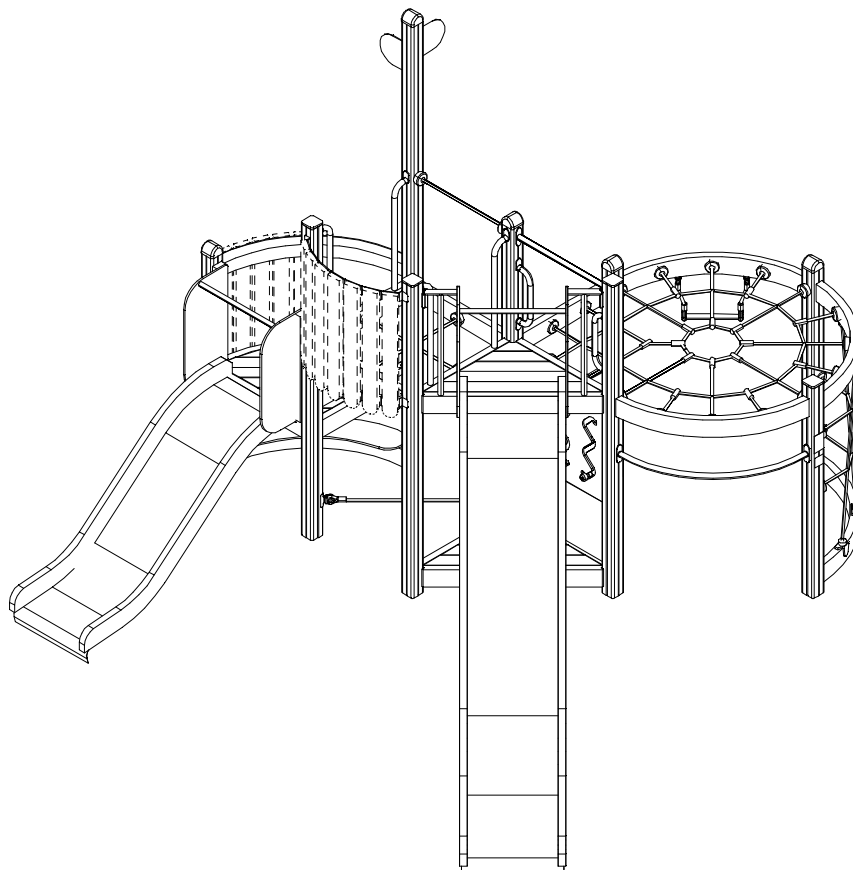


PRIME

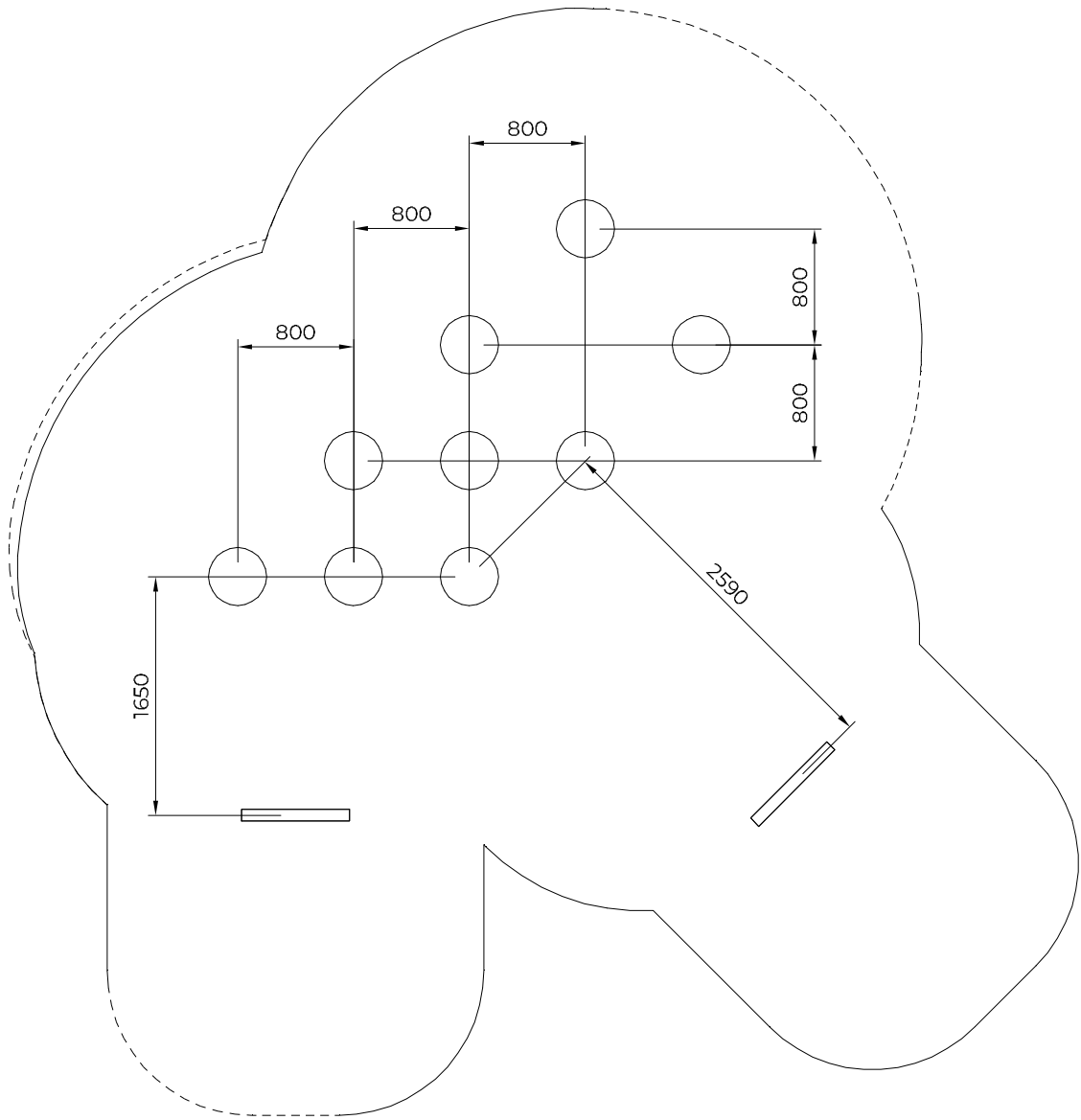
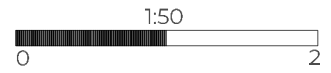
ASENNUSOHJE
MONTERINGSANSVISNING
INSTALLATION INSTRUCTION
AUFBAUANLEITUNG
NOTICE D'INSTALLATION

DATE: 10.2.2026

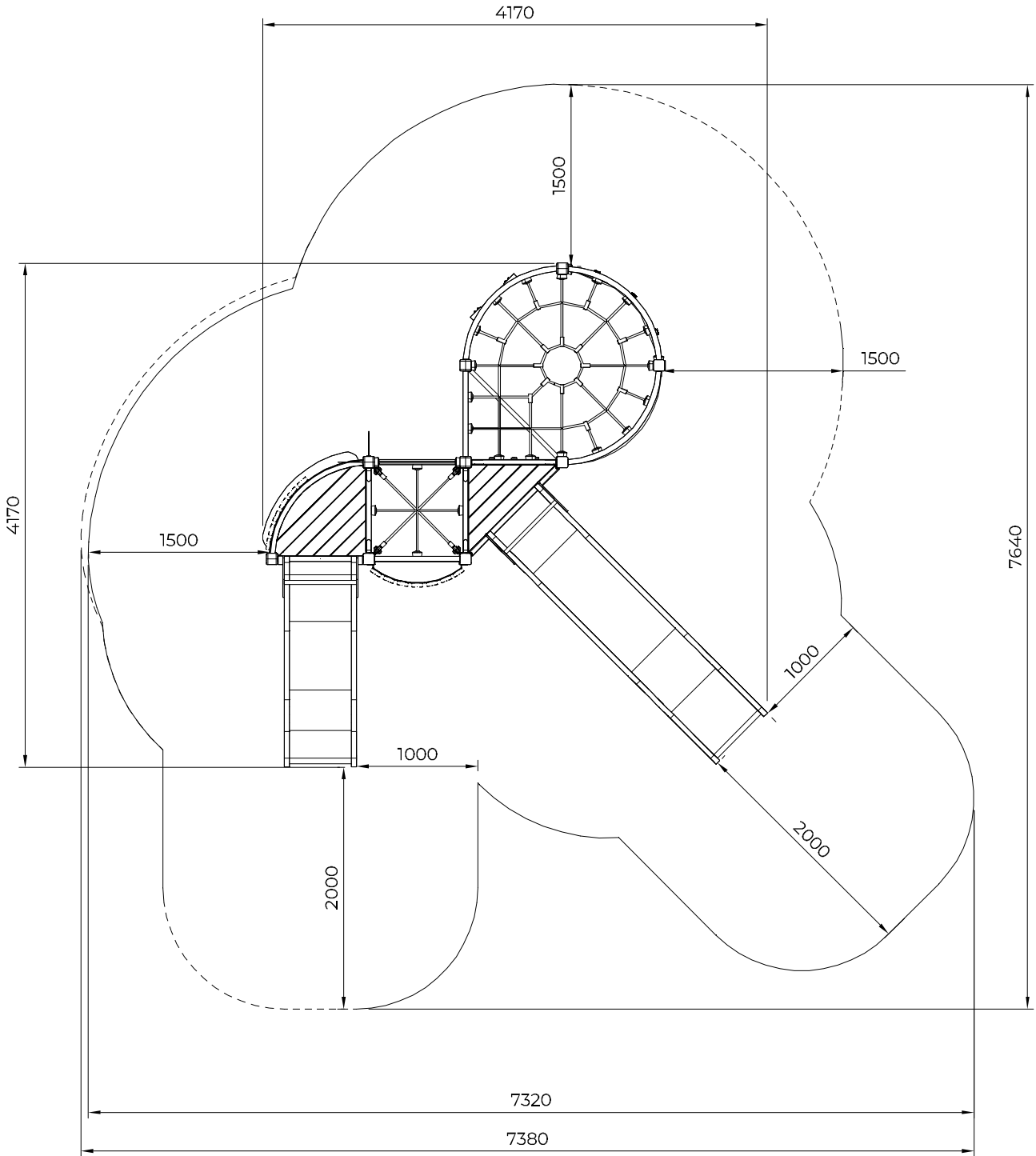
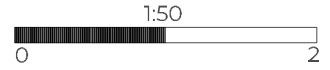
F24108M

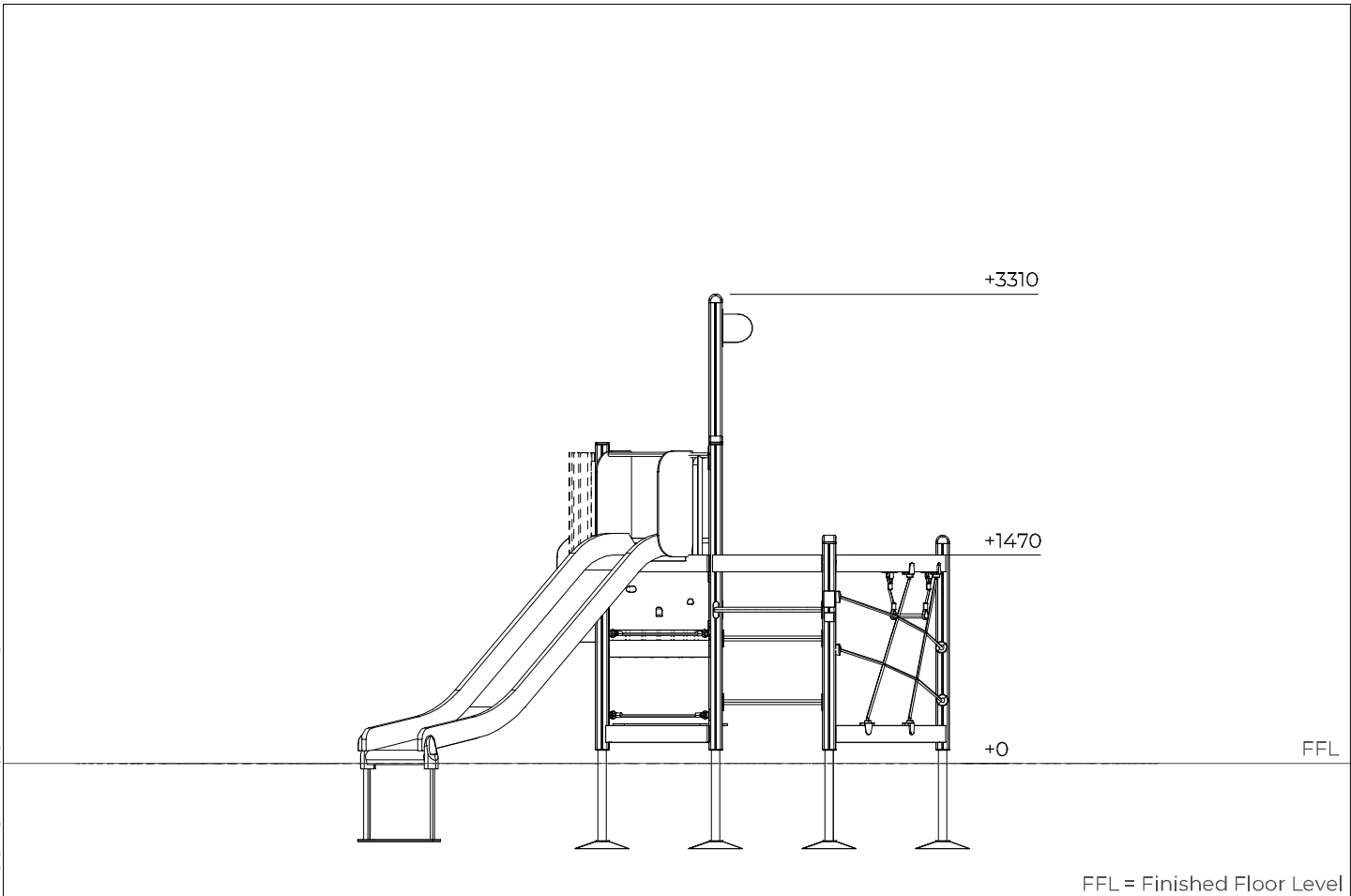
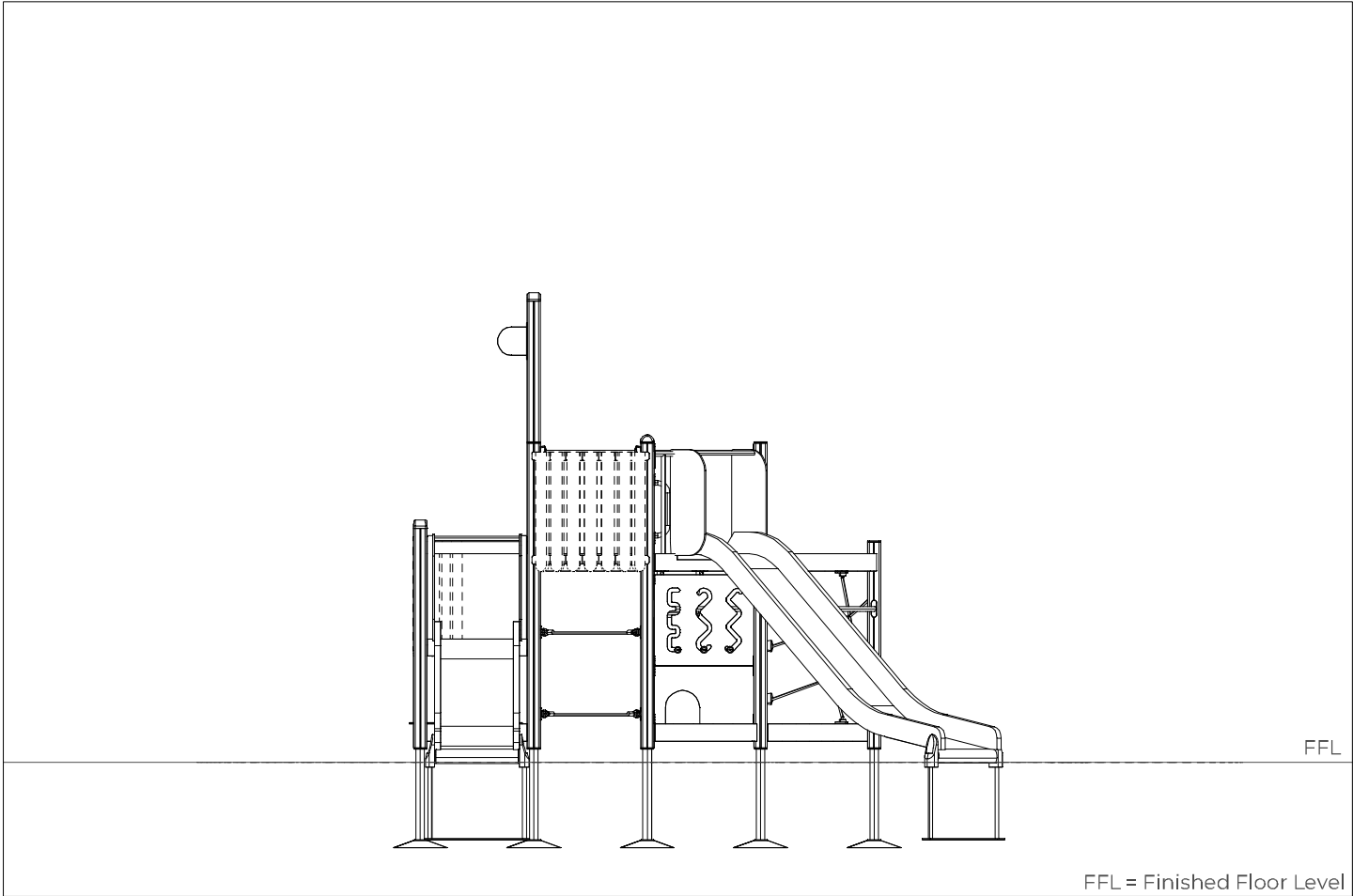


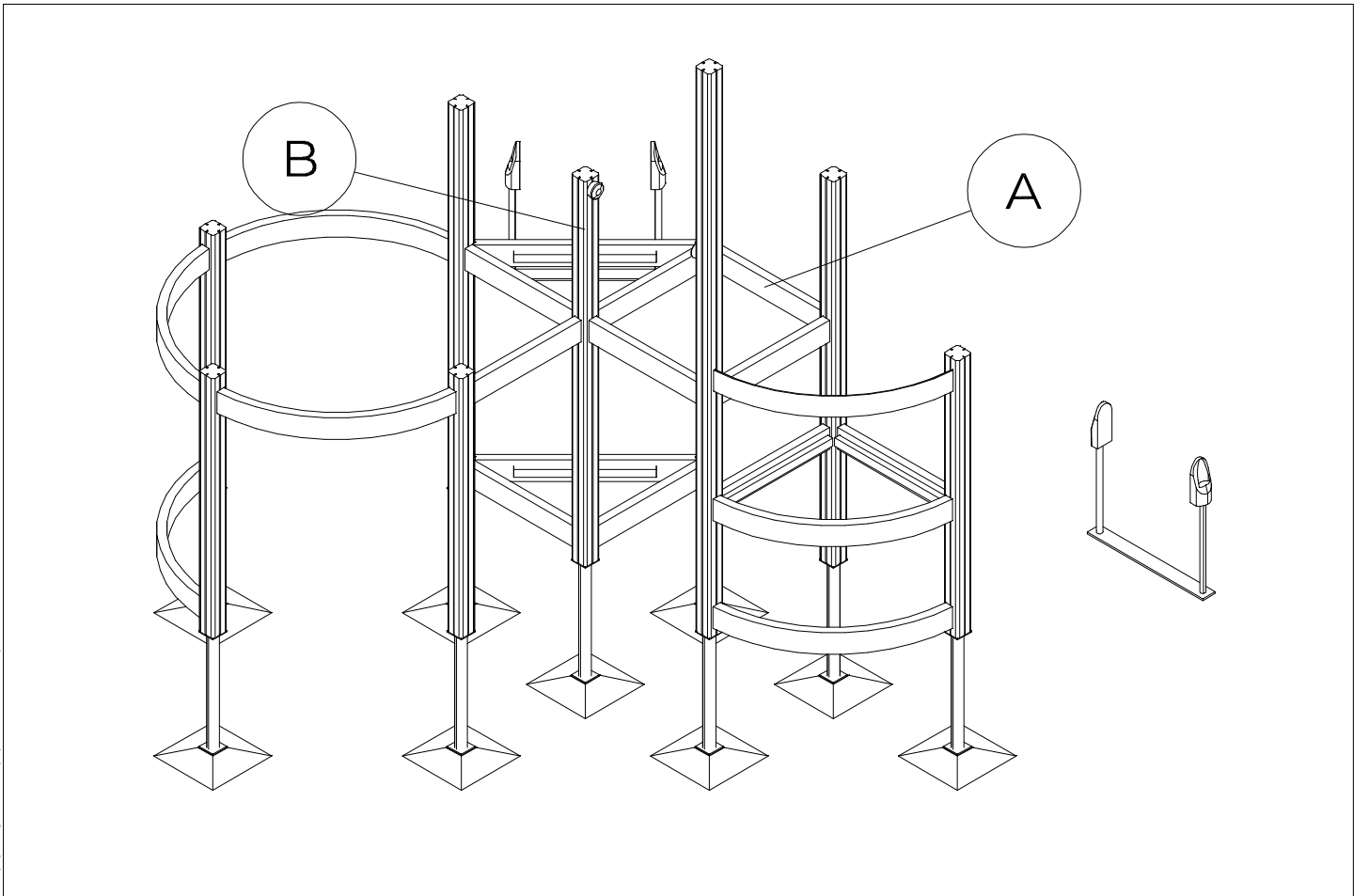
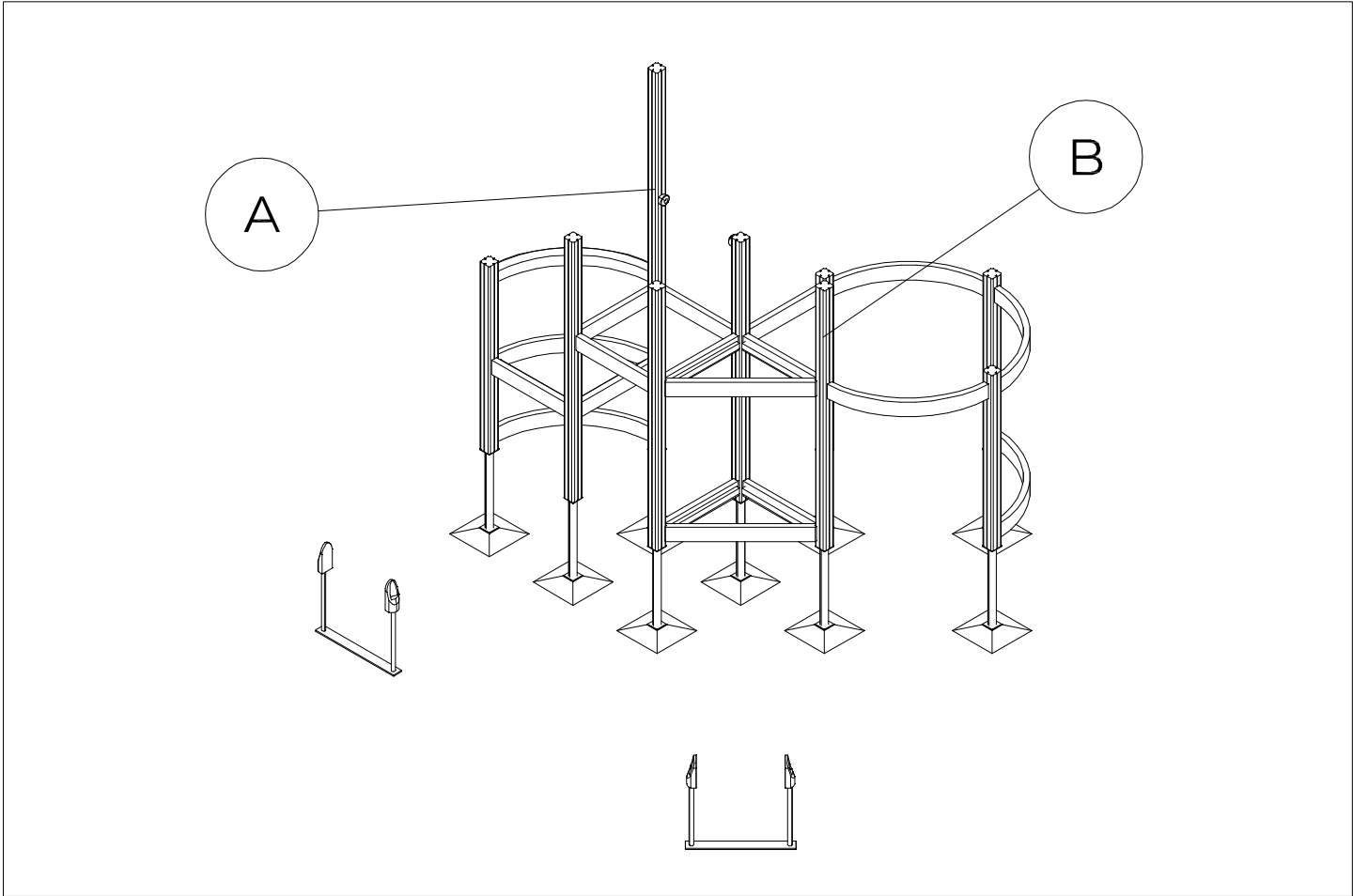
710468-001	PCS 1	712030-001	PCS 3	712031-001	PCS 1	712037-001	PCS 4	712047-001	PCS 1	712433	PCS 1
		L 1450		L 1550		L 2150		L 3150			
712497	PCS 2	712499	PCS 2	712501-001	PCS 1	712513-001	PCS 1	712517-001	PCS 1	712522-001	PCS 1
						+870				+1470	
712562	PCS 1	712619	PCS 1	712724-001	PCS 1	712730	PCS 2	712747-001	PCS 11	712751	PCS 2
				L 1096				L 704			
712754	PCS 4	712760	PCS 4	712780	PCS 3	712788	PCS 5	712797	PCS 1	712798	PCS 1
				L 704							
712817	PCS 1	712818	PCS 1	712819-001	PCS 6	712822	PCS 1	712889	PCS 9	712941-001	PCS 2
								L 700			
712954	PCS 2	712999	PCS 1	713003	PCS 1	713080	PCS 2	713087	PCS 1	713150-001	PCS 2
										L1027	
713174	PCS 1	713231	PCS 1	713352-001	PCS 1		PCS		PCS		PCS

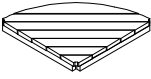


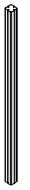

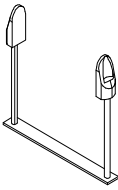

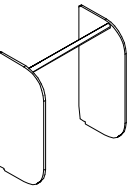









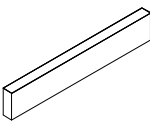

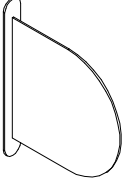



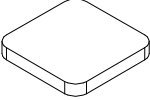

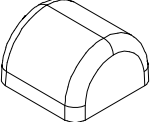

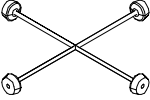



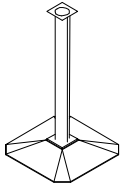




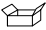
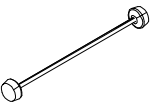

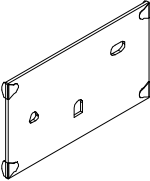

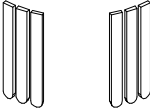



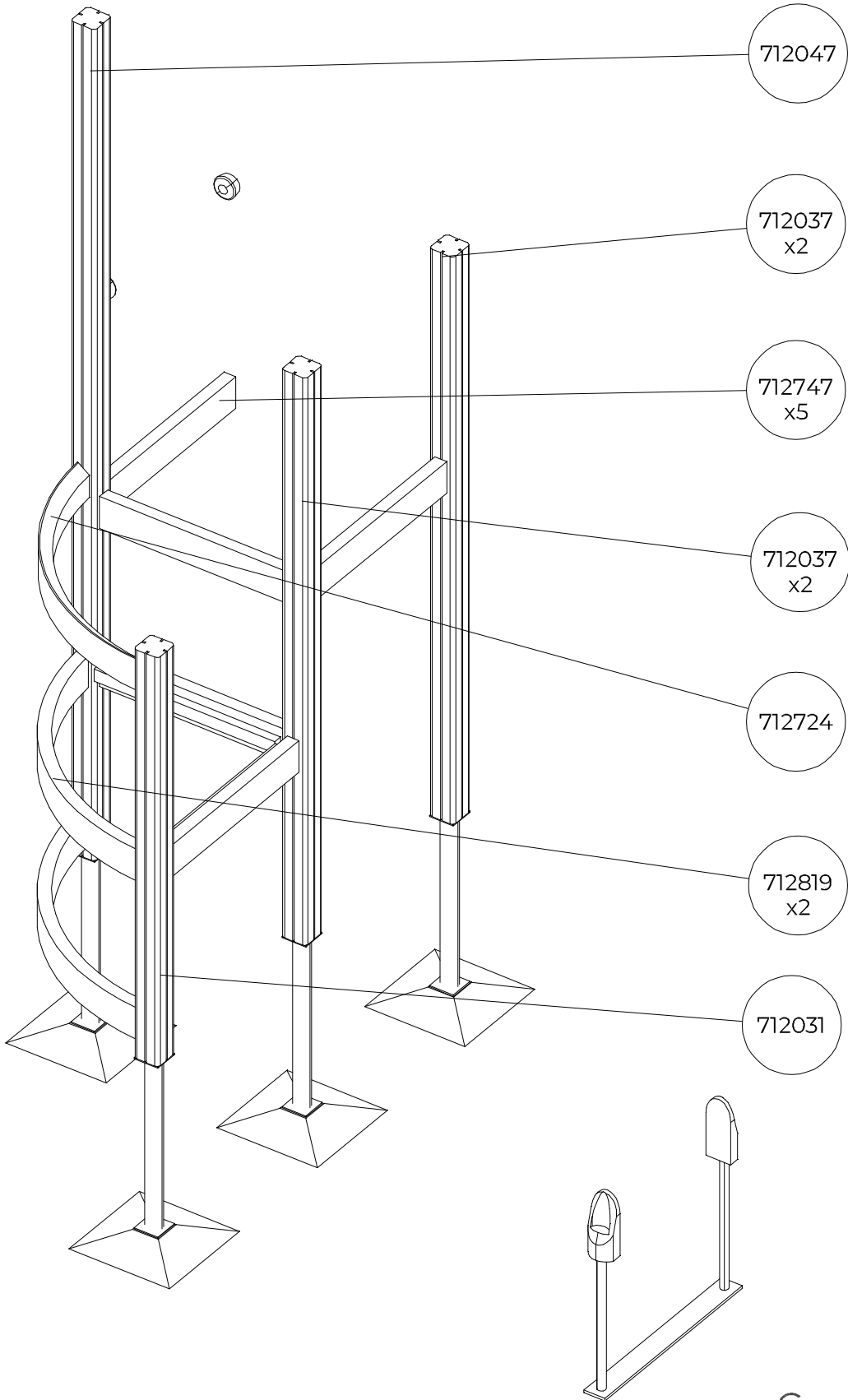
— EN/AS Impact Area 38 m²
- - - Falling Space 39 m²
Max Falling Height 1470 mm







  710468-001	PCS 1	 L 1550 712031-001	PCS 1	 L 2150 712037-001	PCS 2	 L 3150 712047-001	PCS 1	  712497	PCS 1	  712499	PCS 1
  712501-001	PCS 1	 +870  712513-001	PCS 1	  712517-001	PCS 1	 L 1096  712724-001	PCS 1	 L 704  712747-001	PCS 5	  712751	PCS 2
  712754	PCS 2	  712760	PCS 2	  712788	PCS 2	  712817	PCS 1	  712819-001	PCS 2	 L 700  712889	PCS 4
  712999	PCS 1	  713080	PCS 2	  713087	PCS 1	  713174	PCS 1	  713352-001	PCS 1		PCS
	PCS		PCS		PCS		PCS		PCS		PCS
	PCS		PCS		PCS		PCS		PCS		PCS
	PCS		PCS		PCS		PCS		PCS		PCS



712047

712037
x2

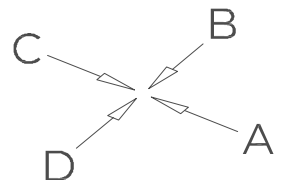
712747
x5

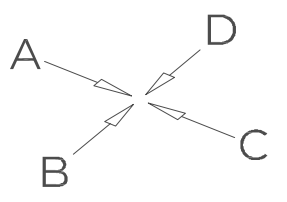
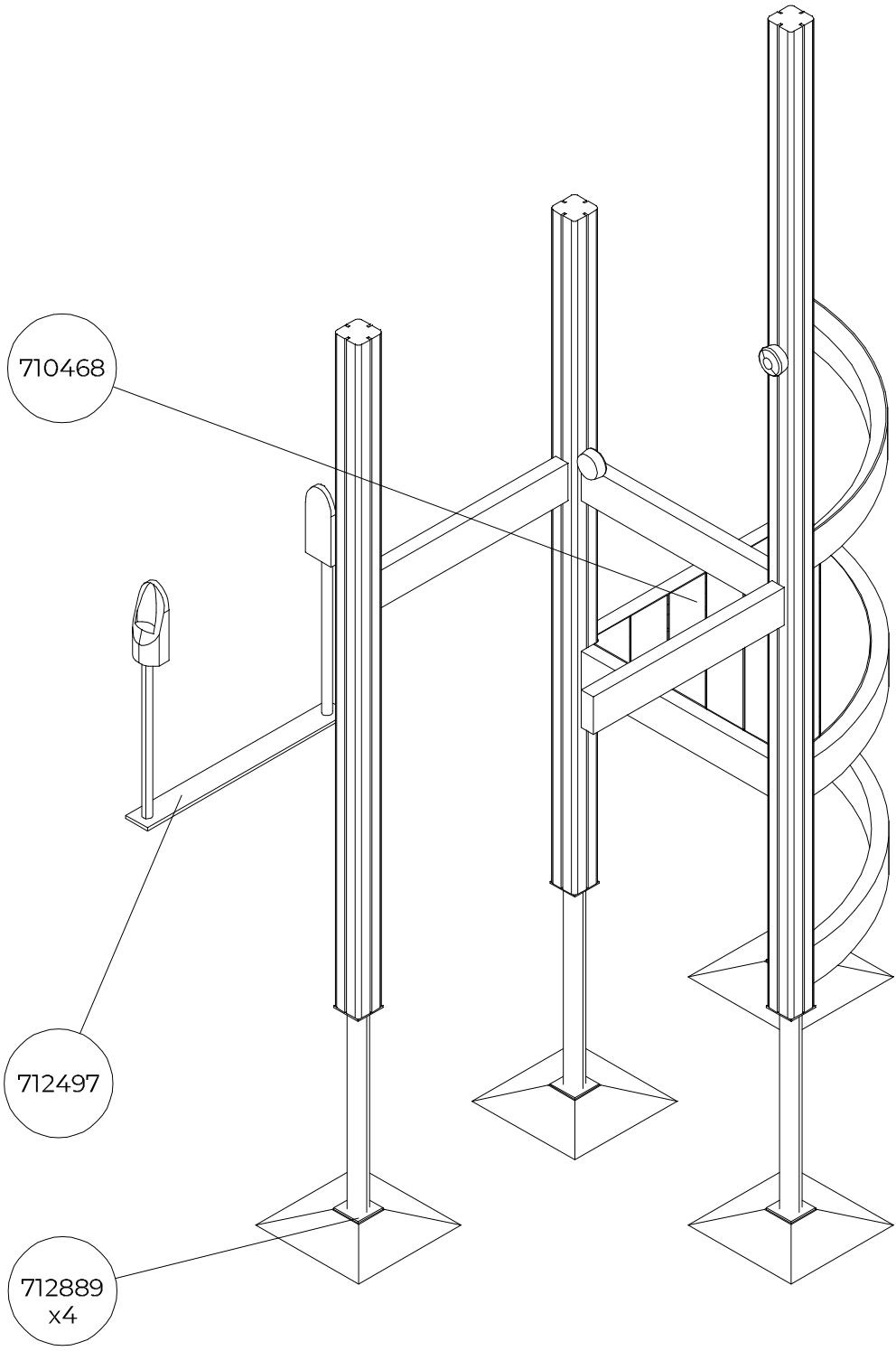
712037
x2

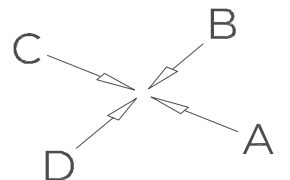
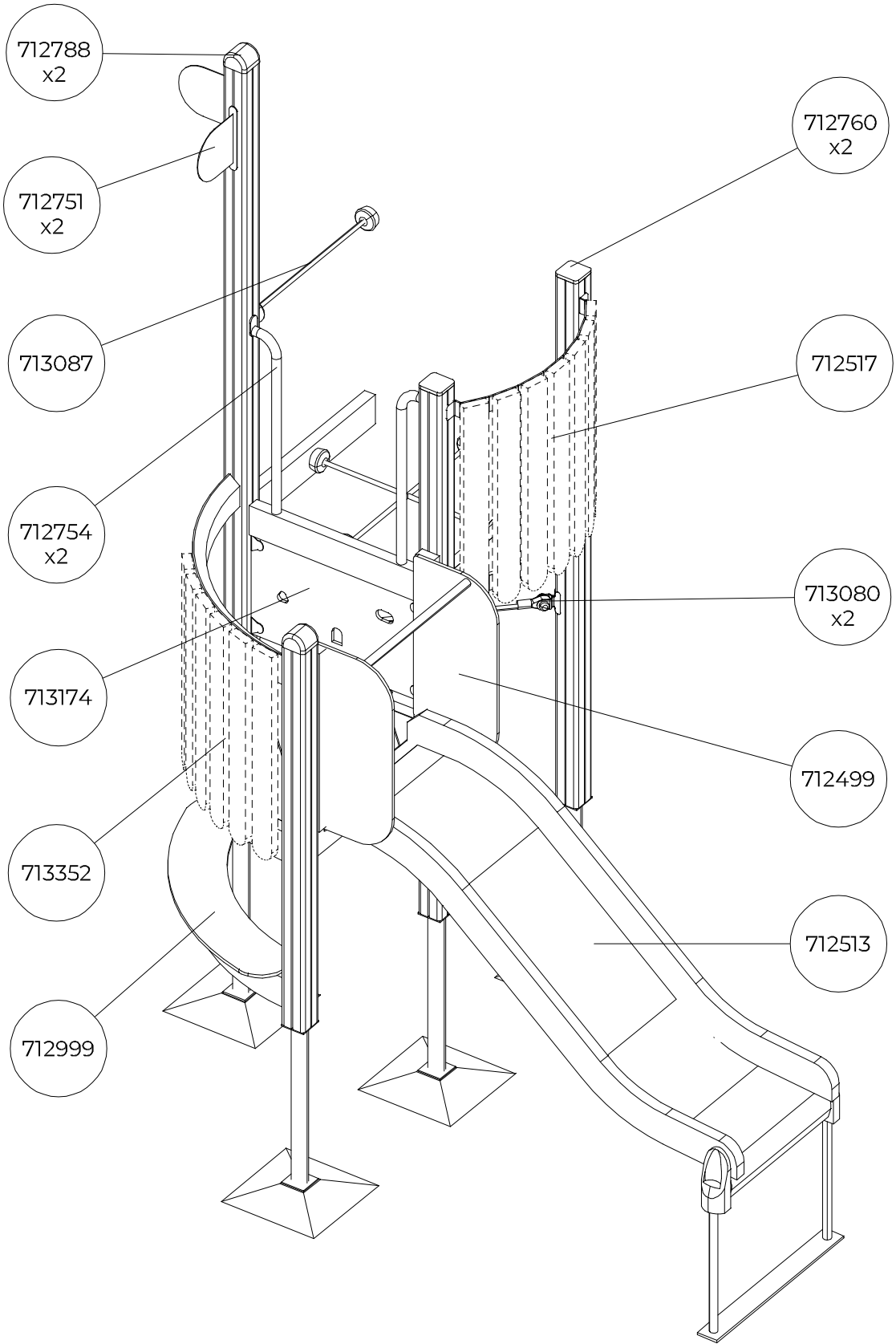
712724

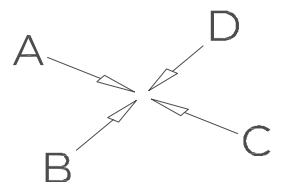
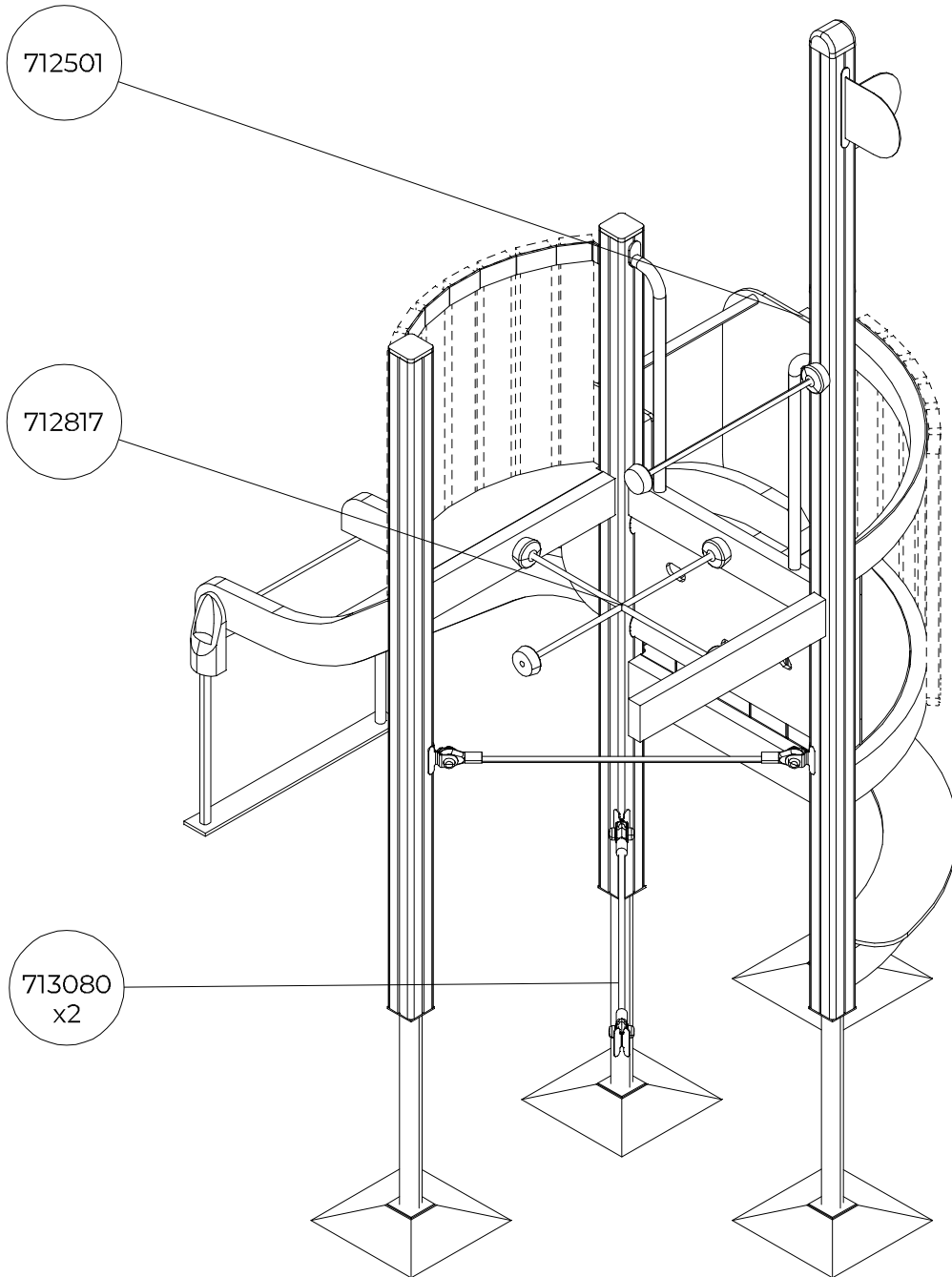
712819
x2

712031

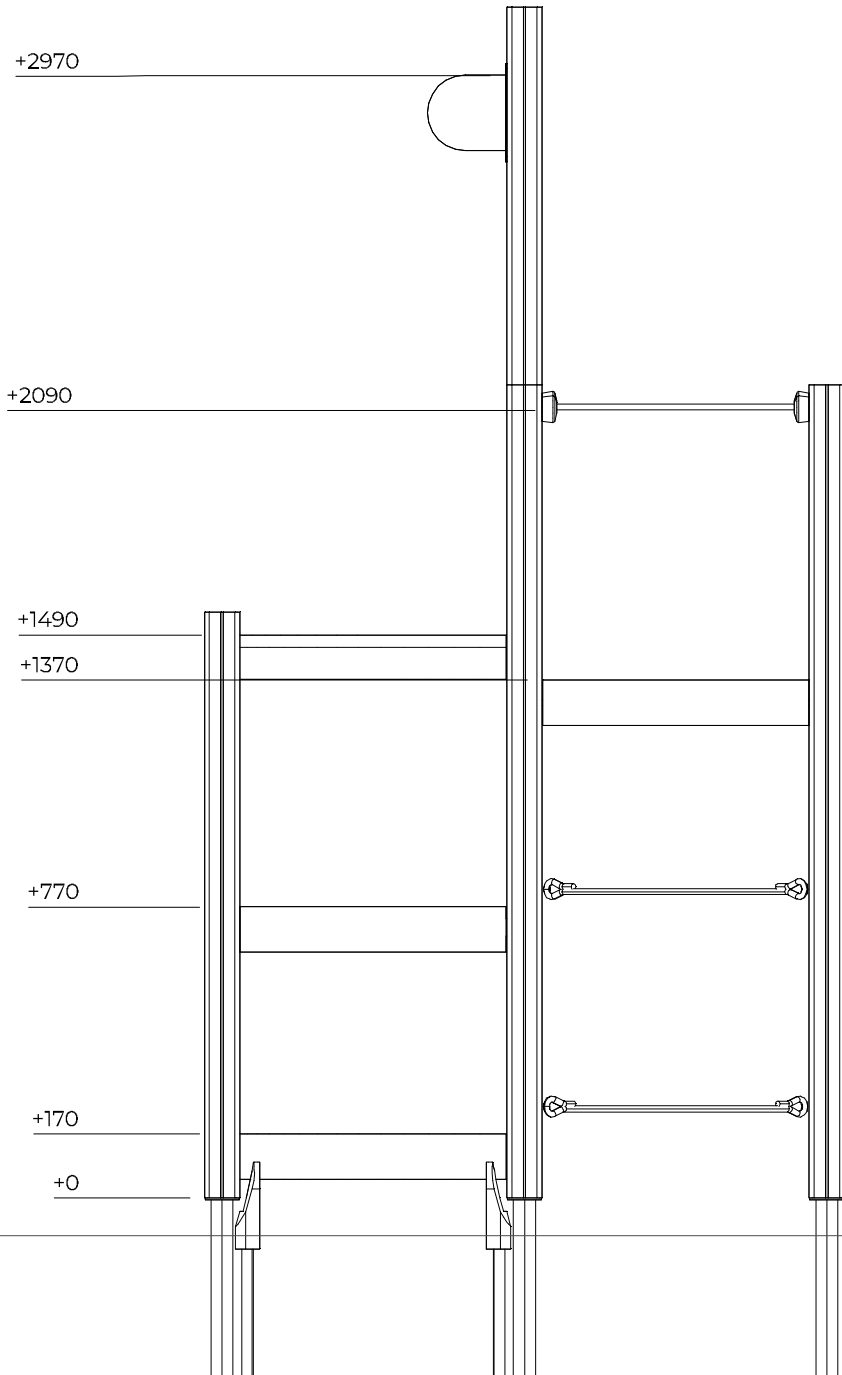




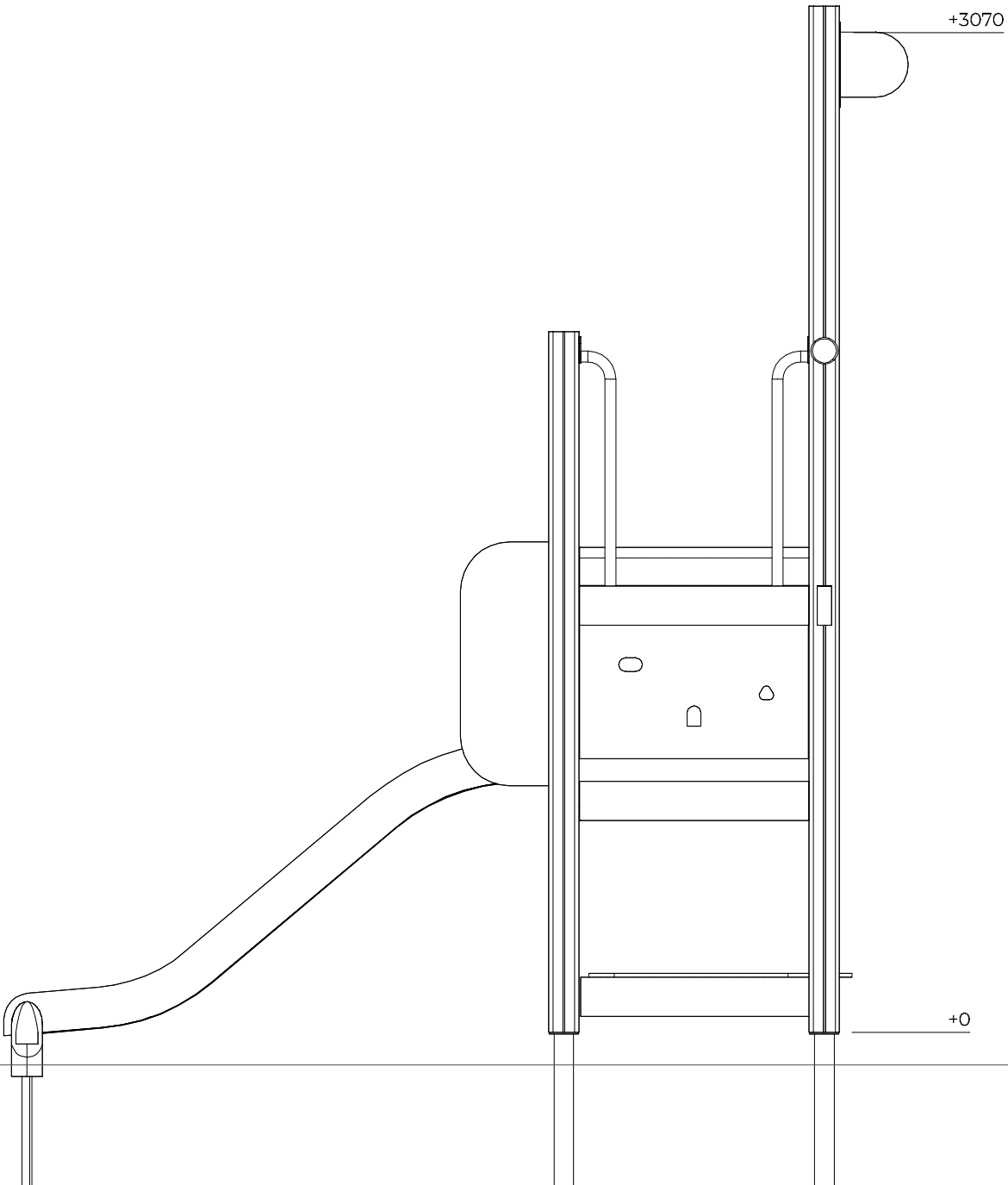




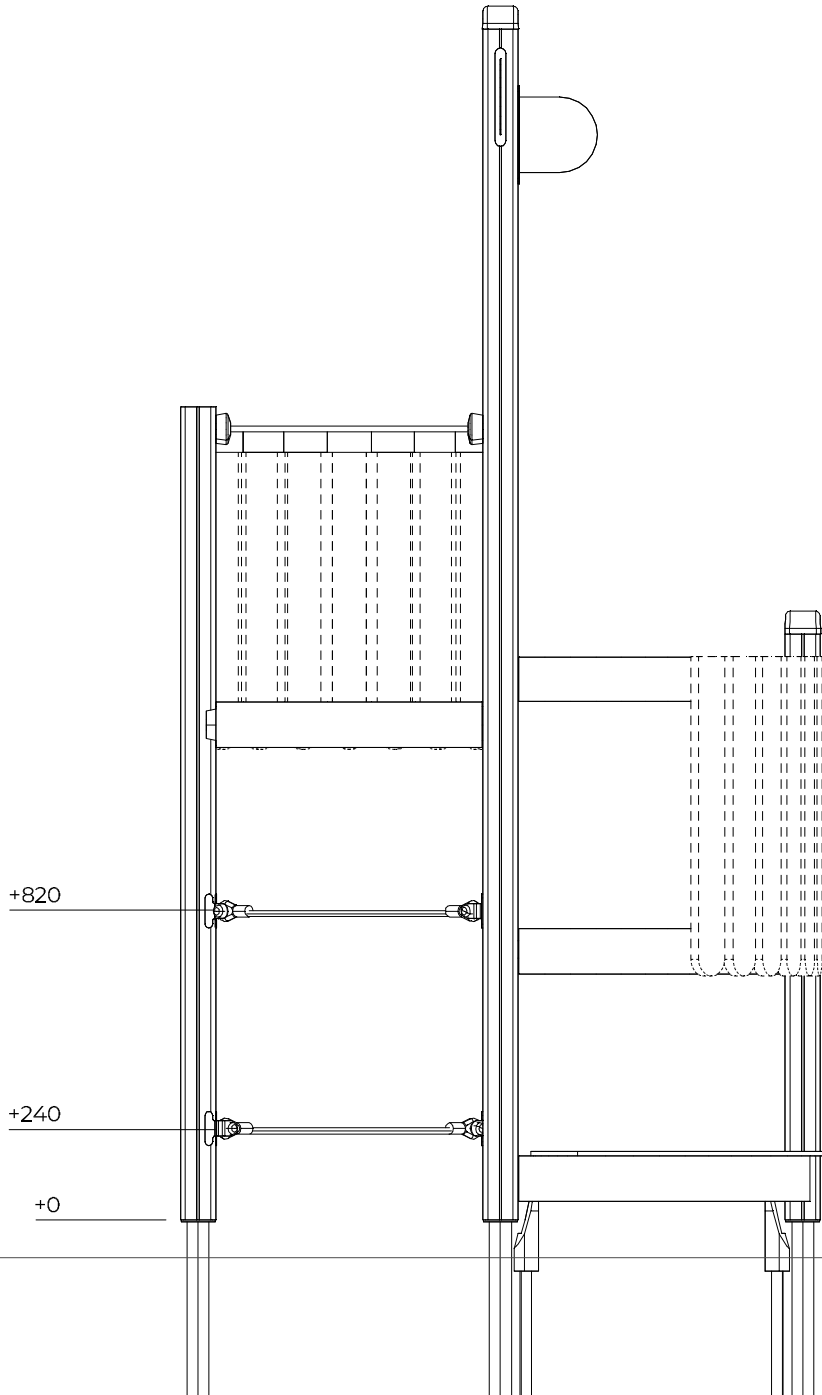
A



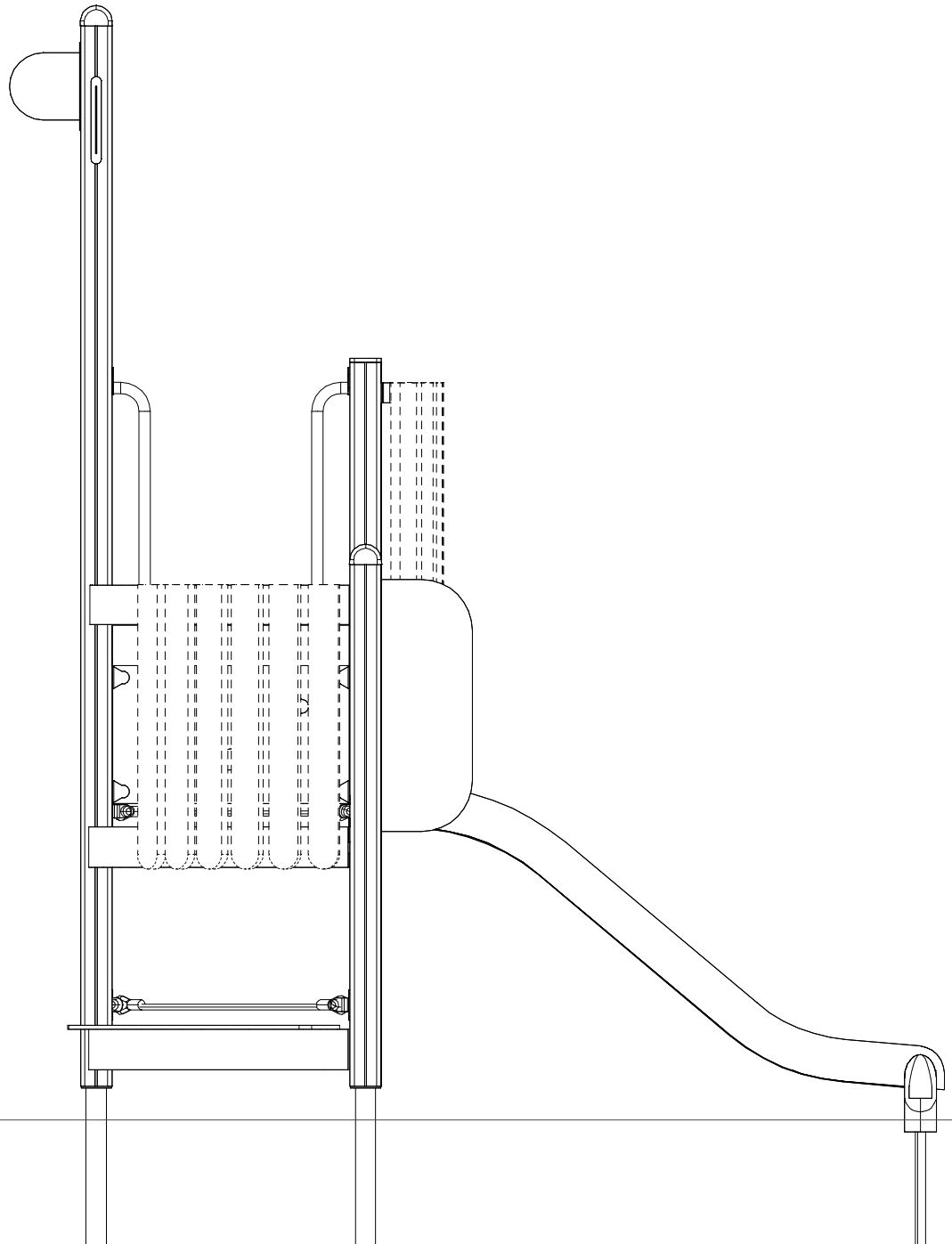
(B)

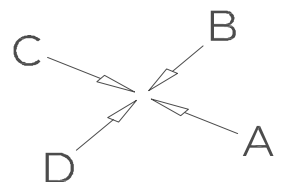
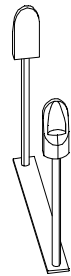
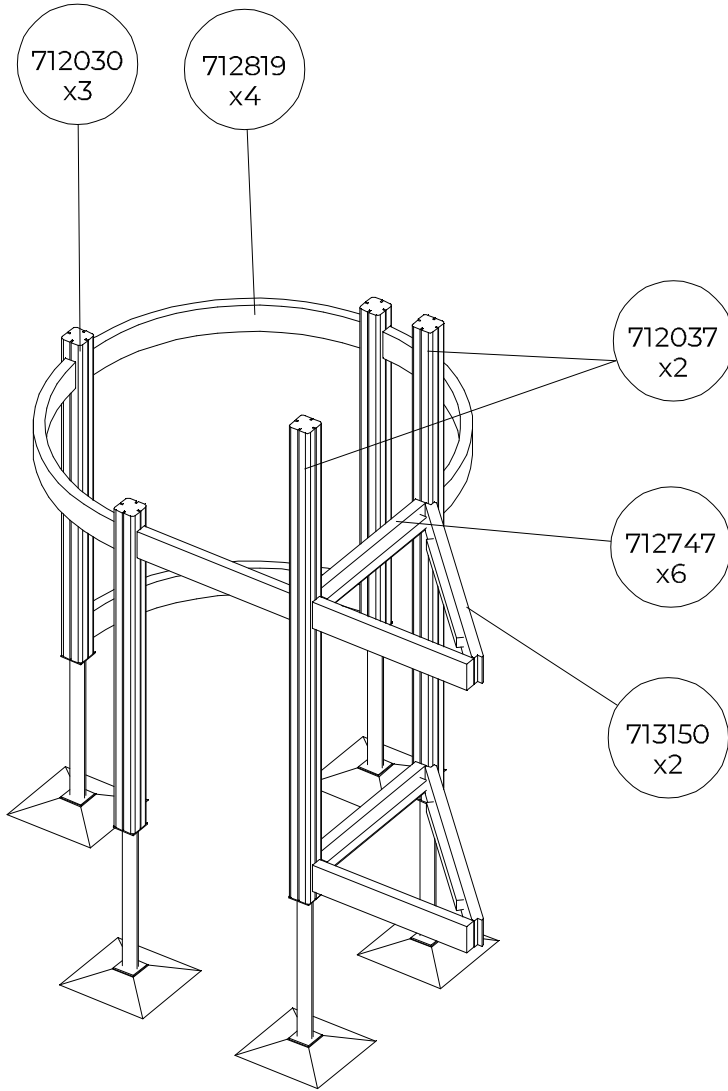


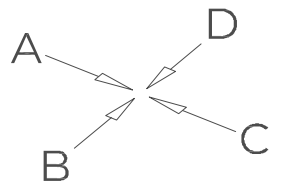
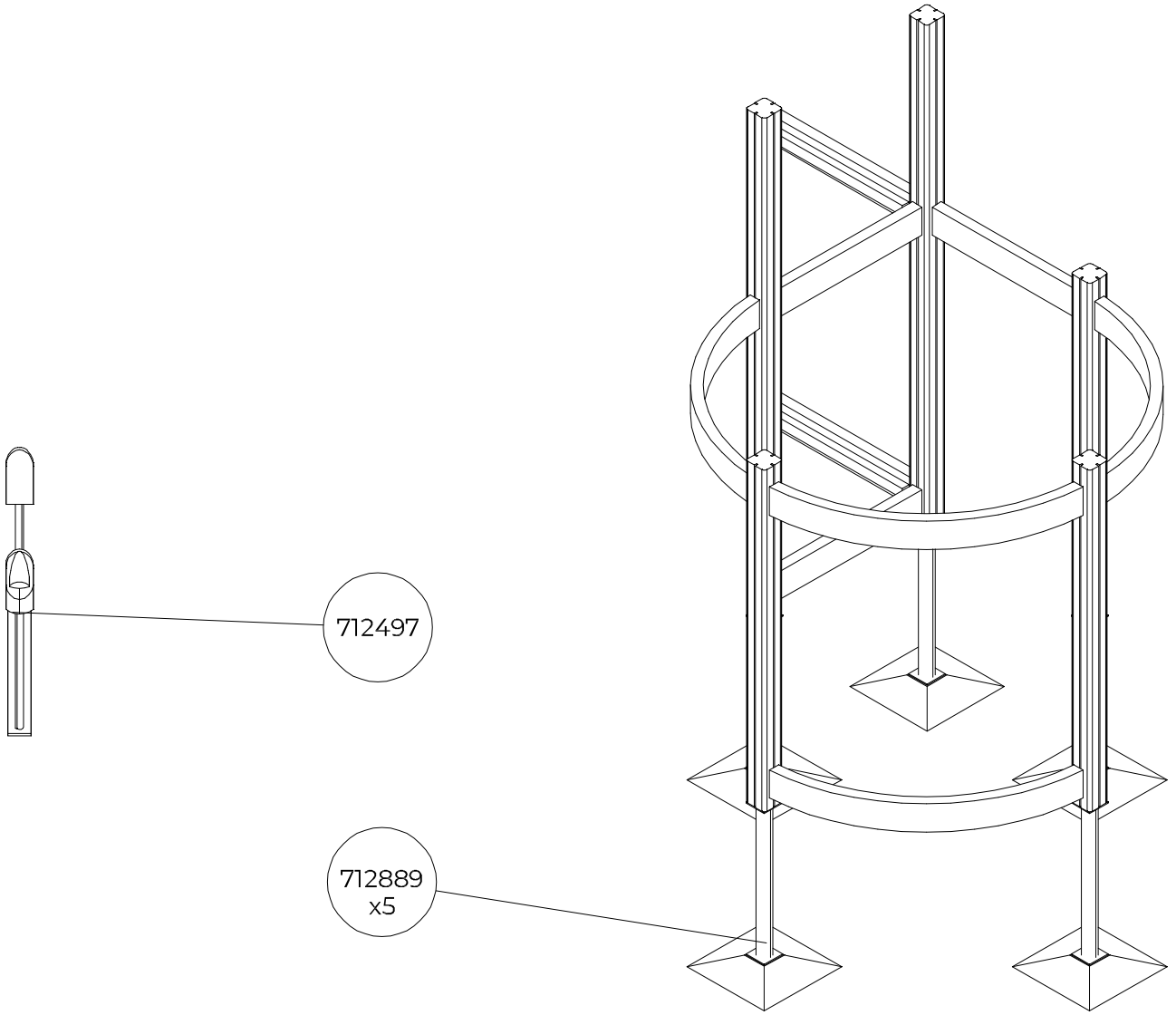
C

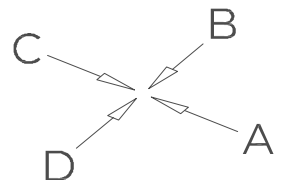
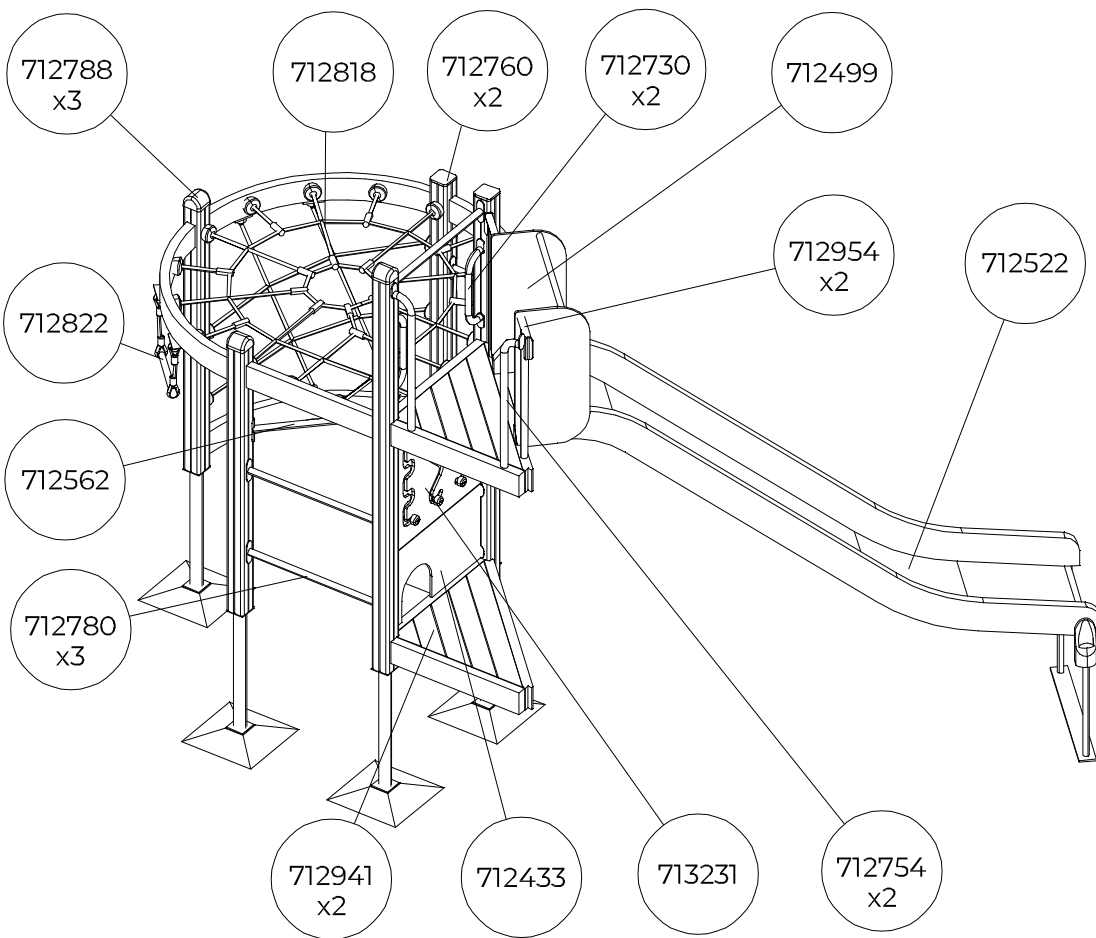


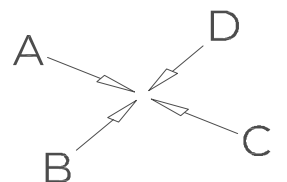
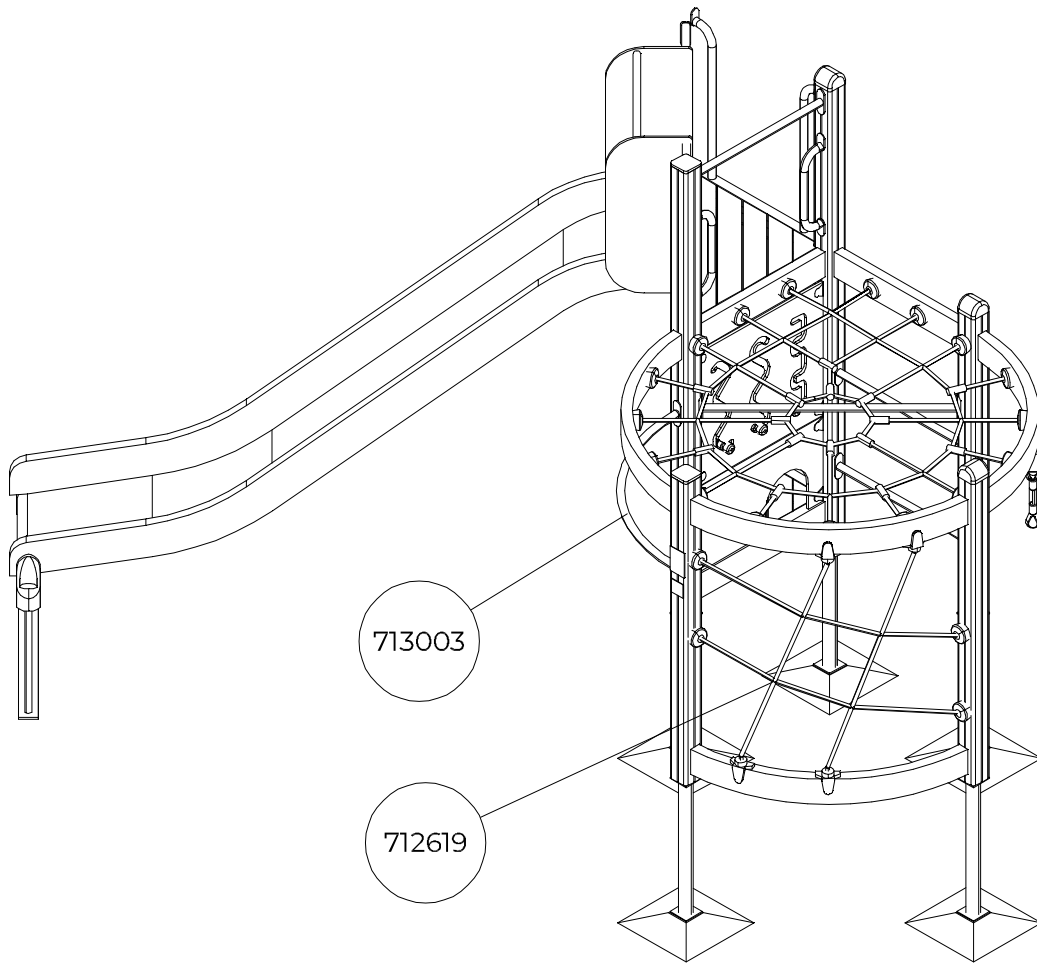
D





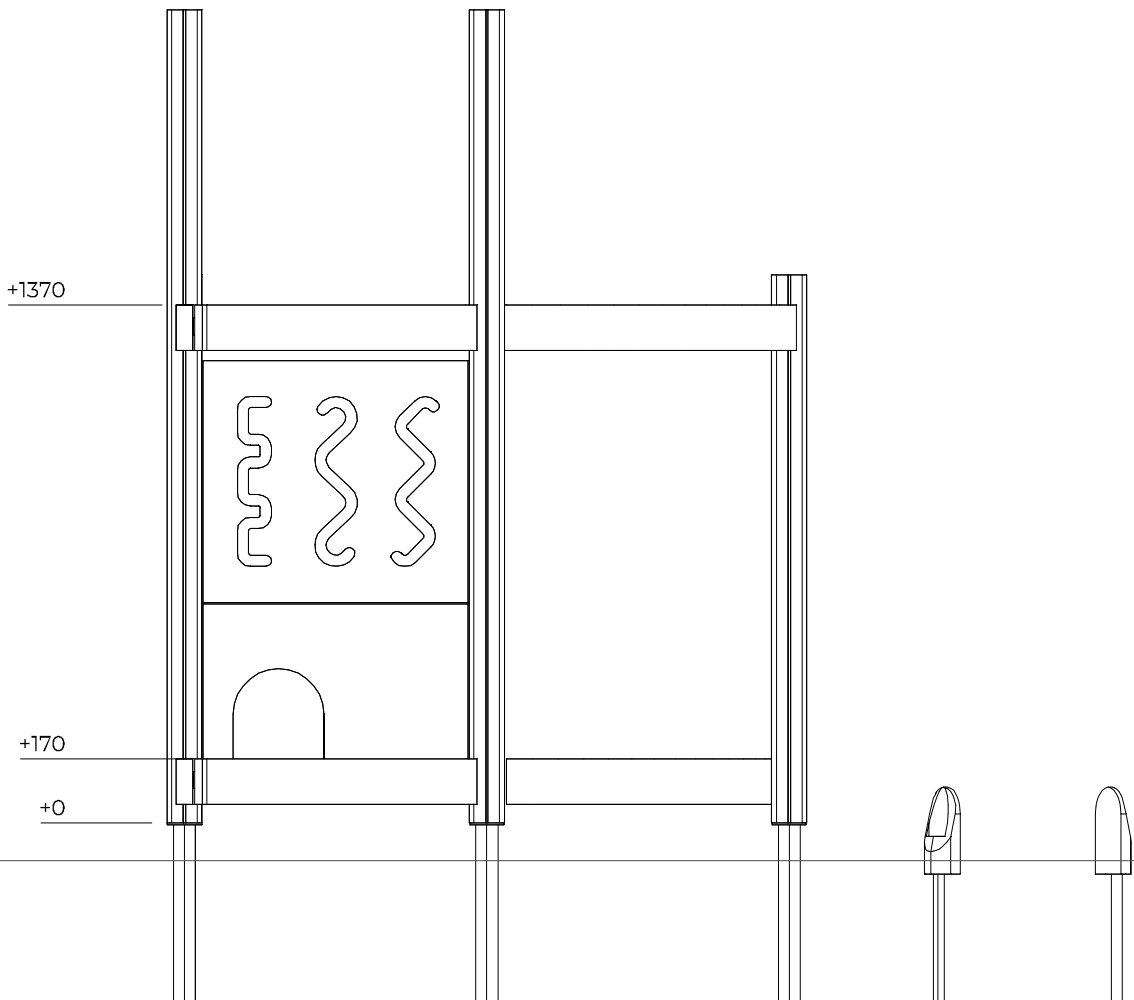




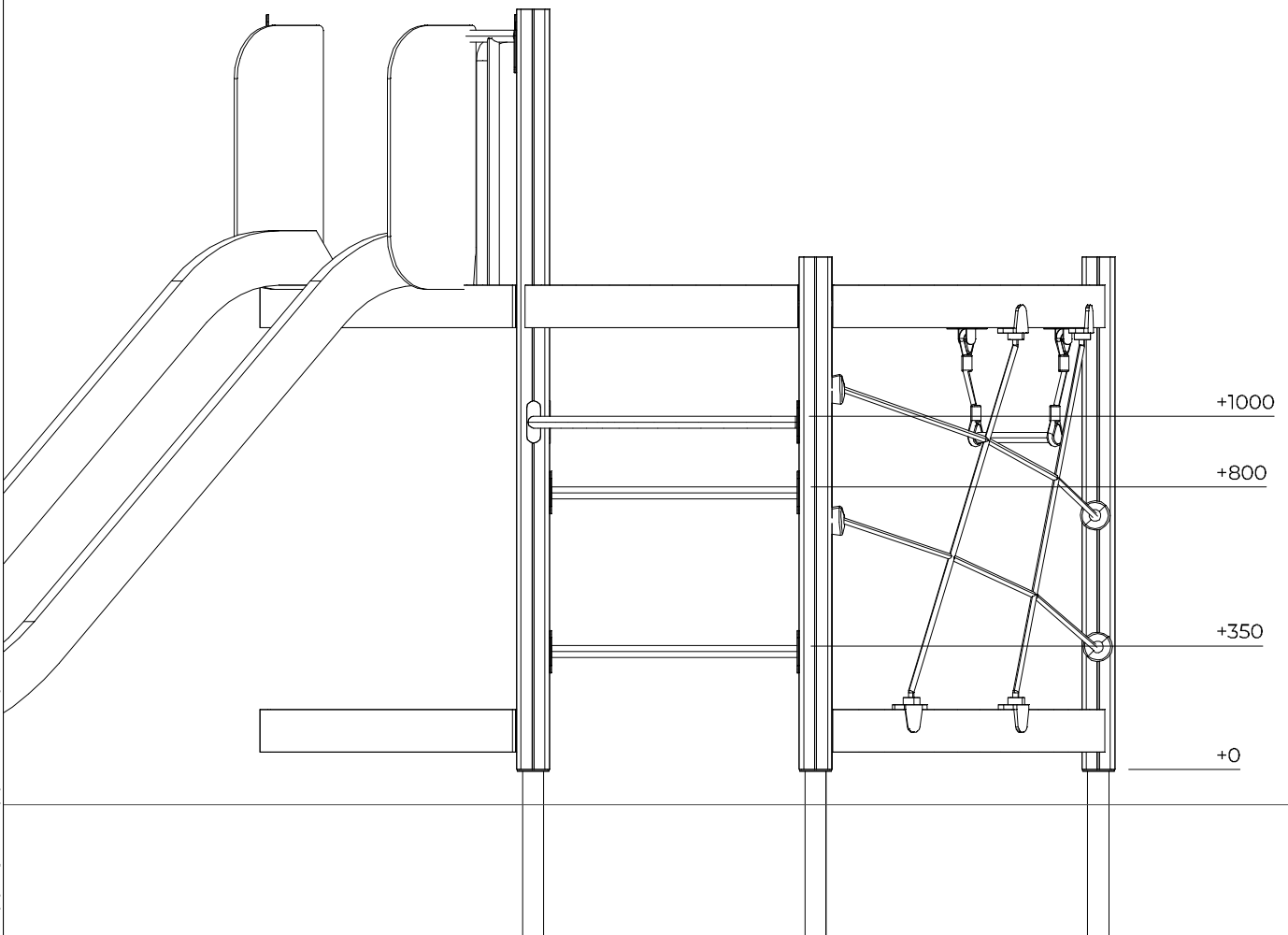


A

1:20

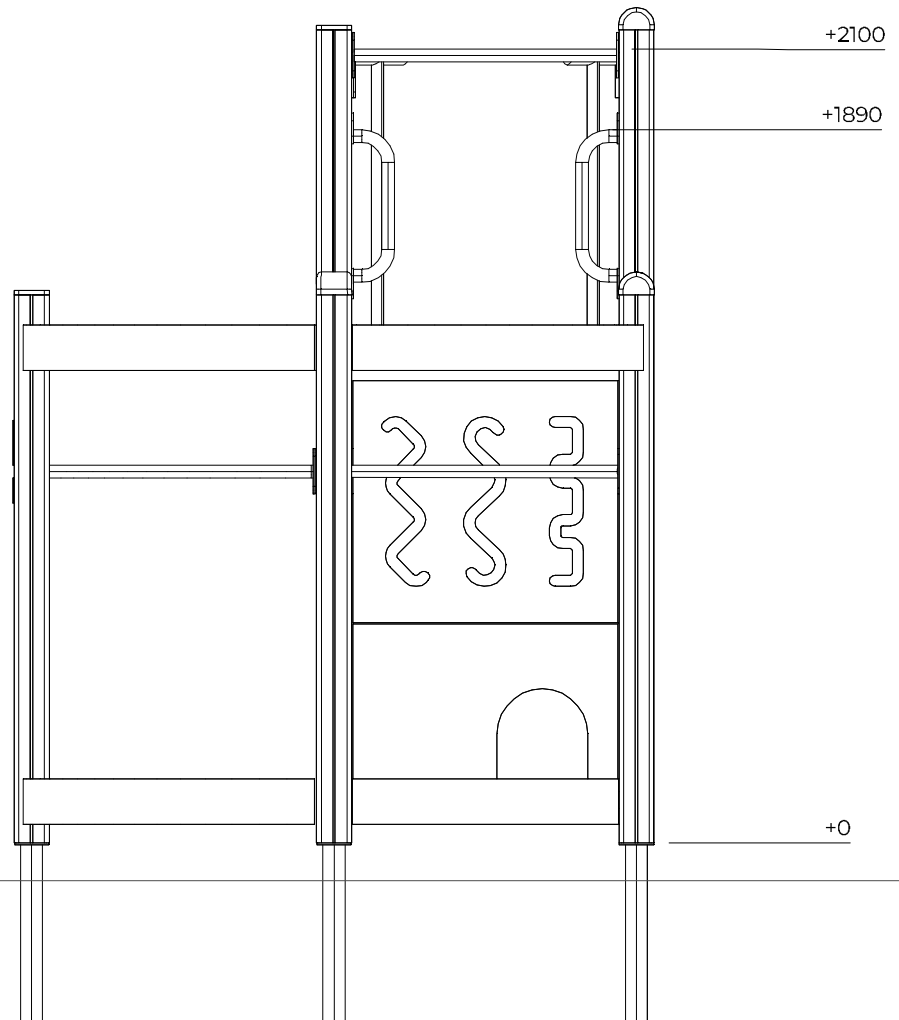


B



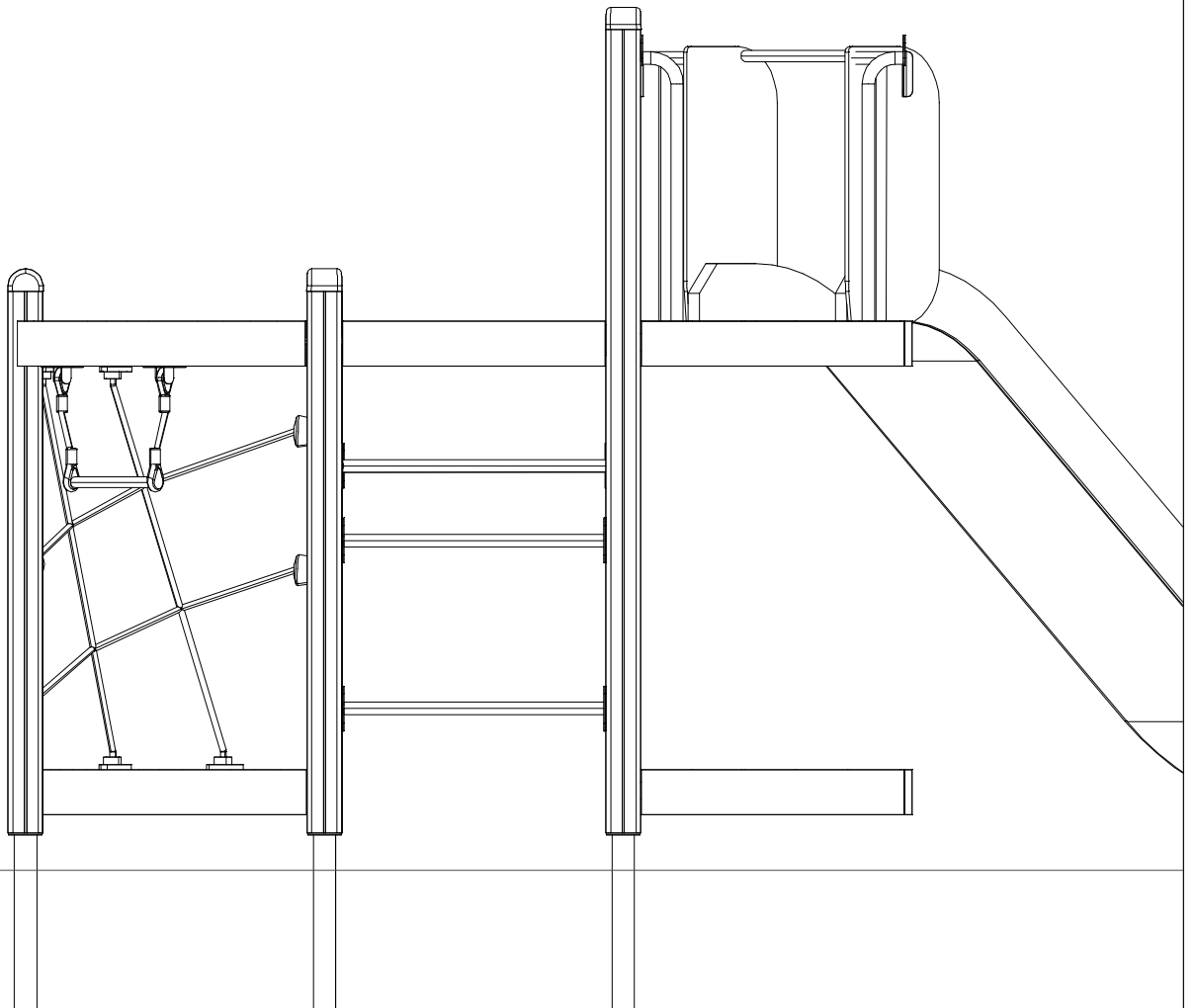
C

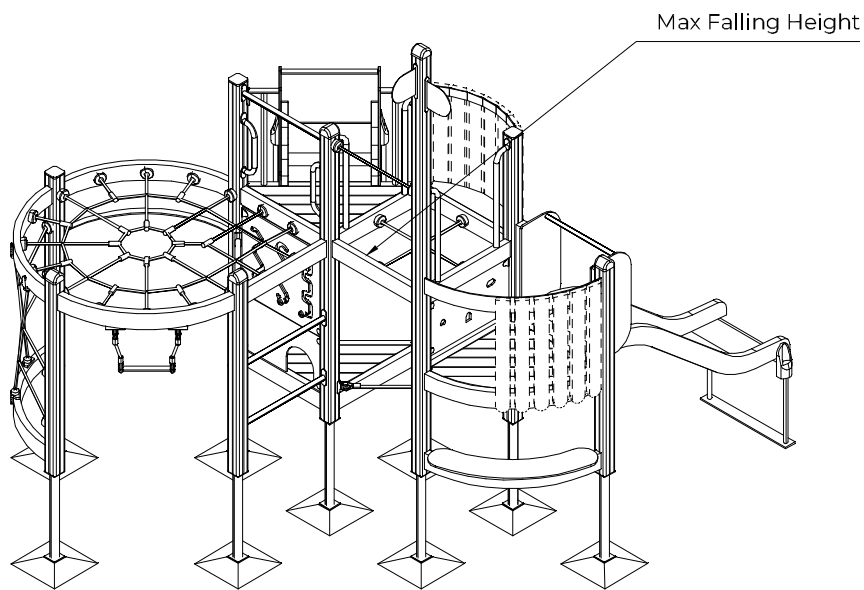
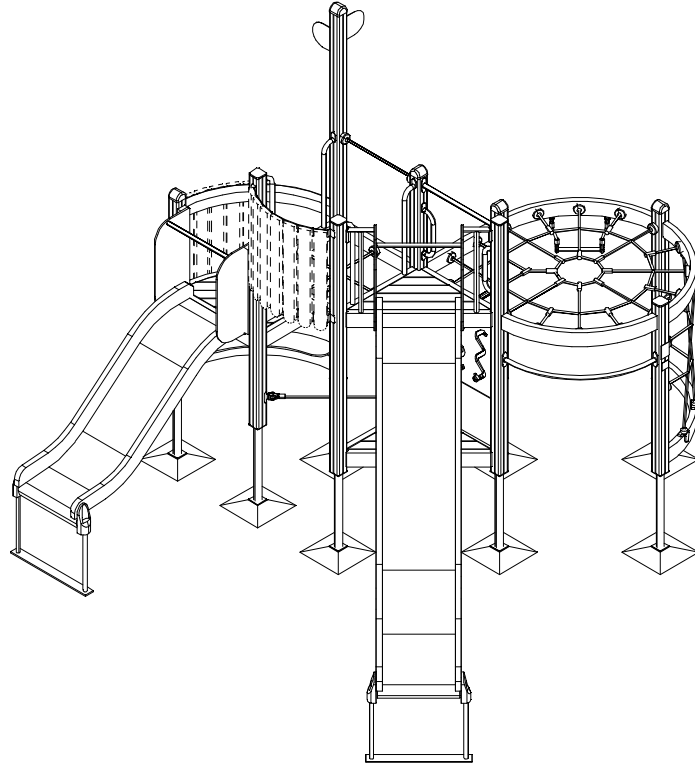
1:20

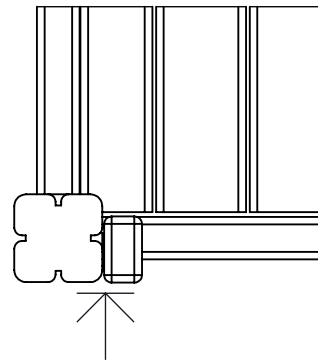
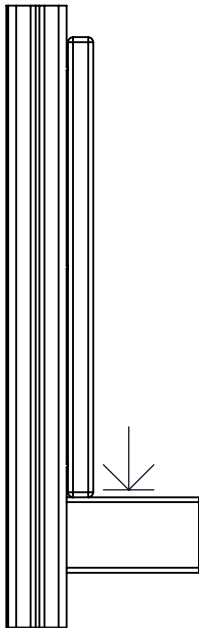
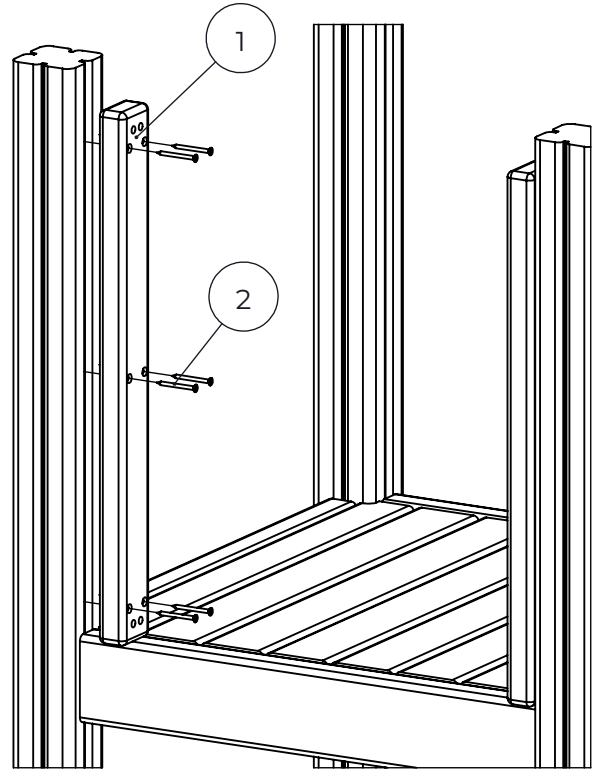
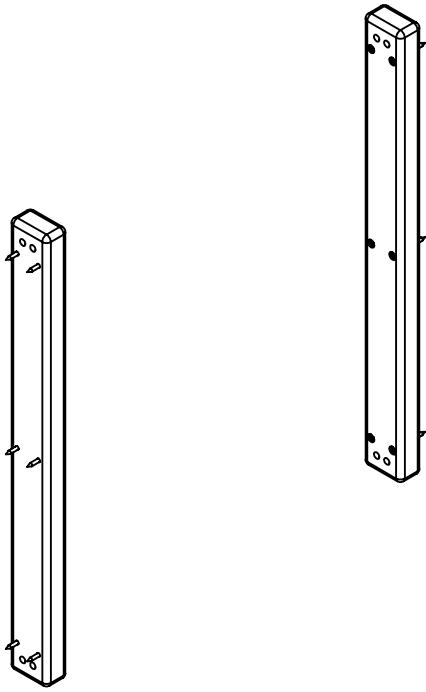


D

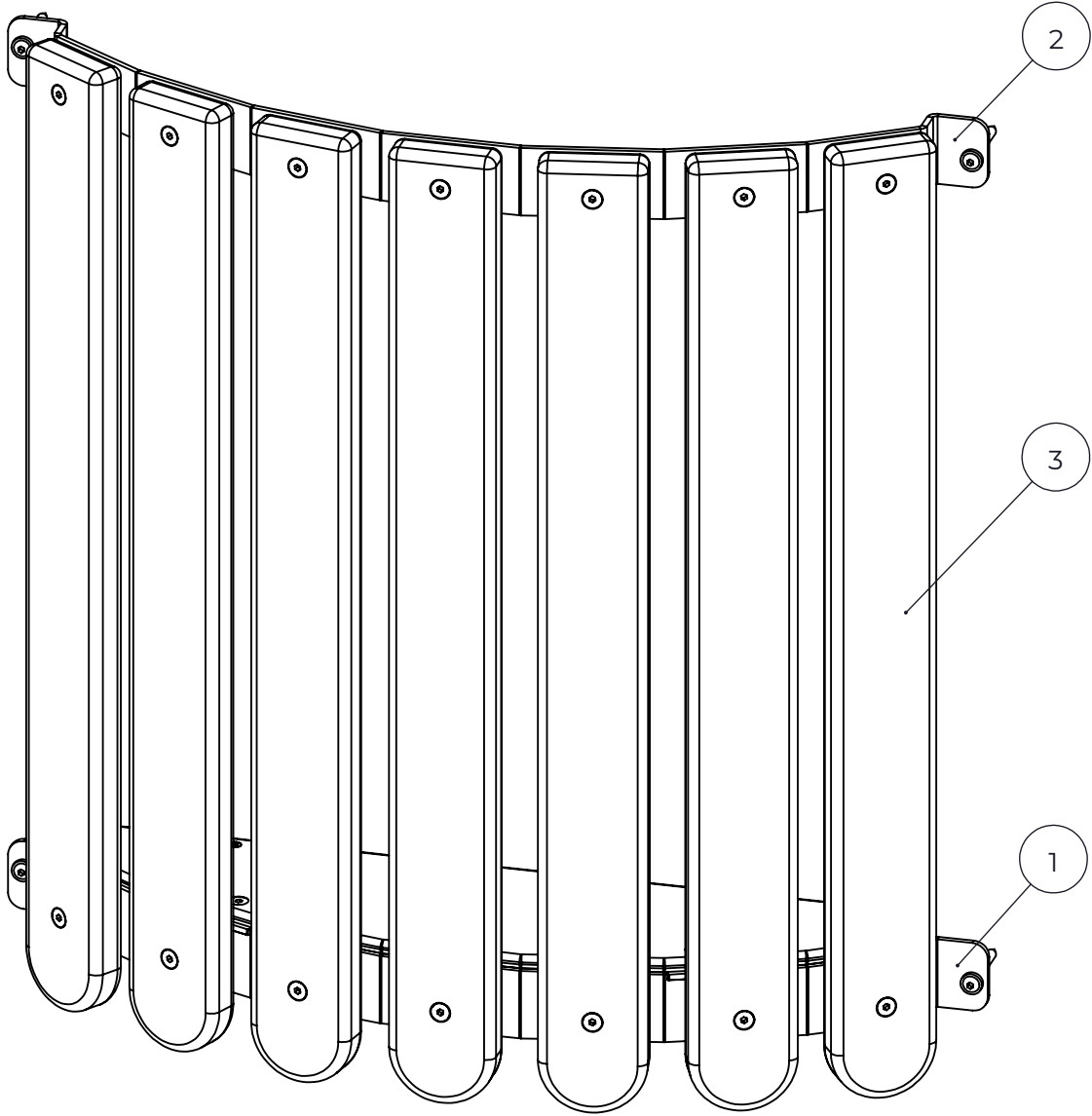
1:20



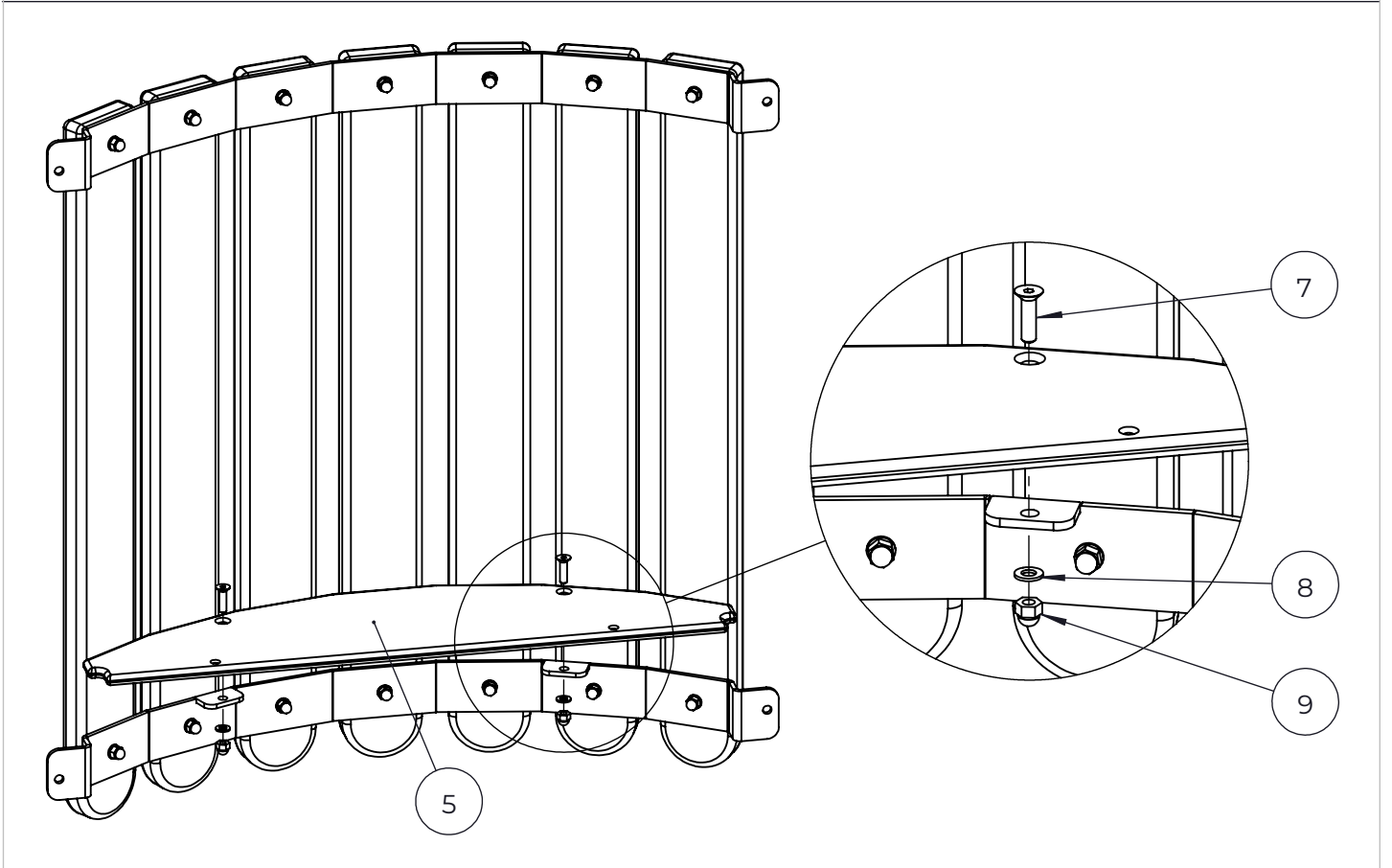
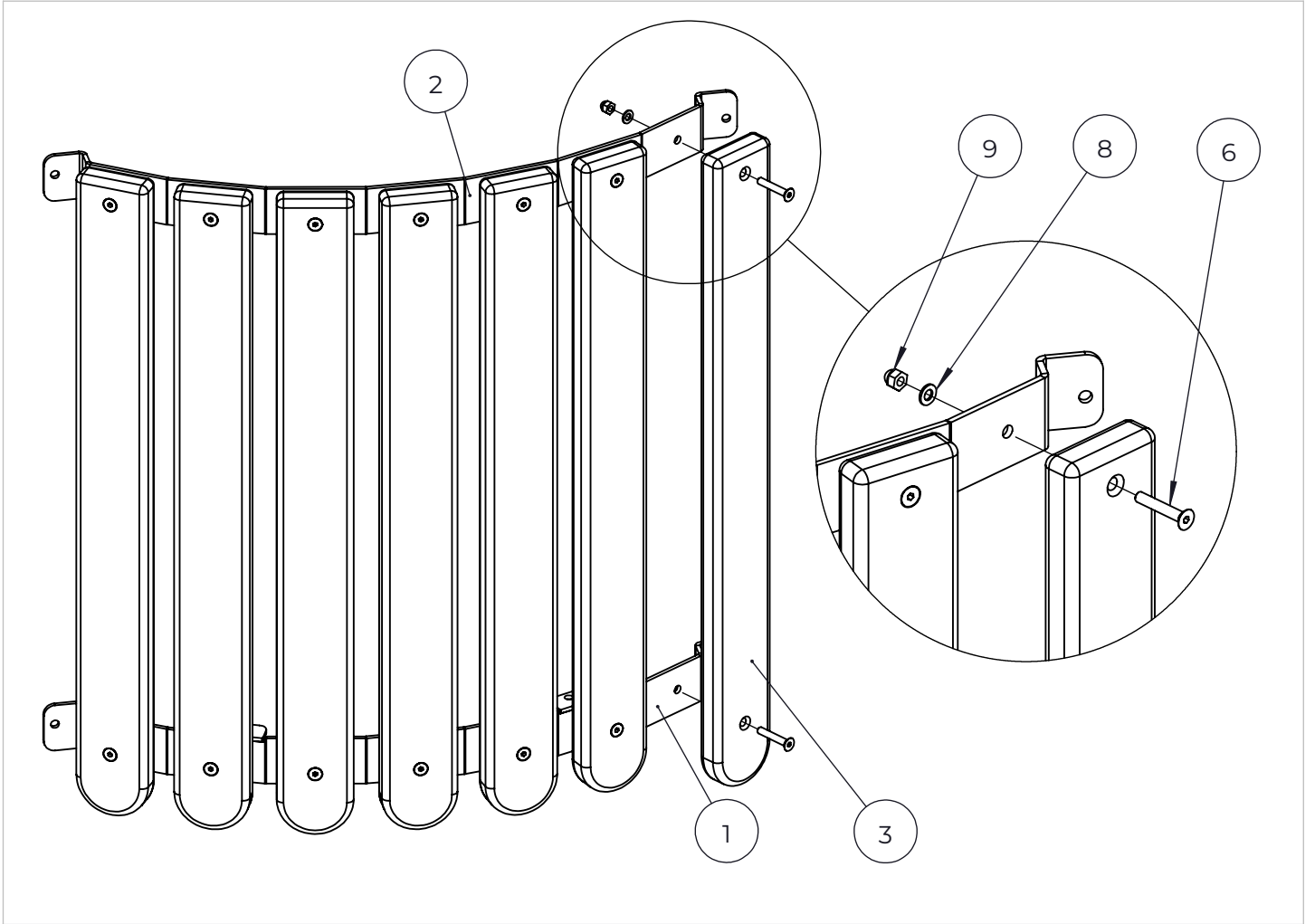


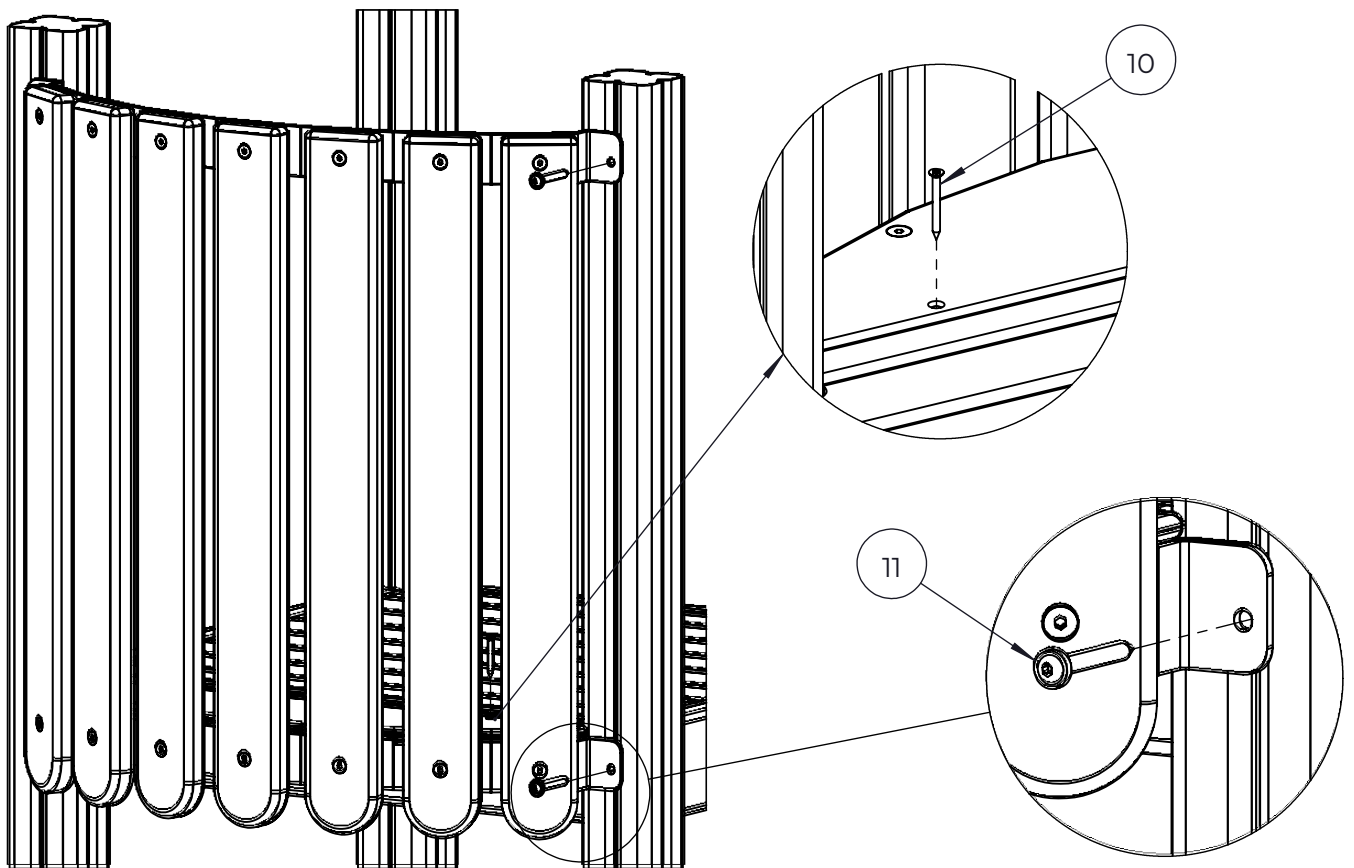
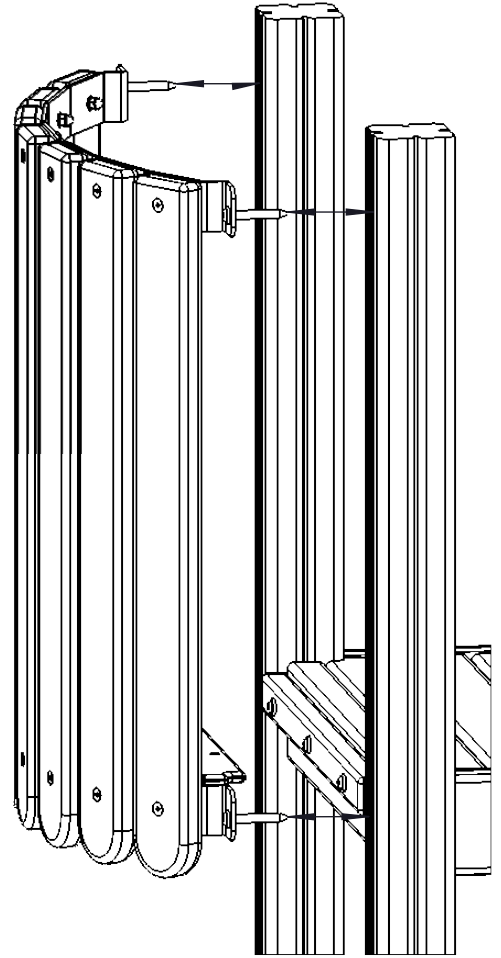
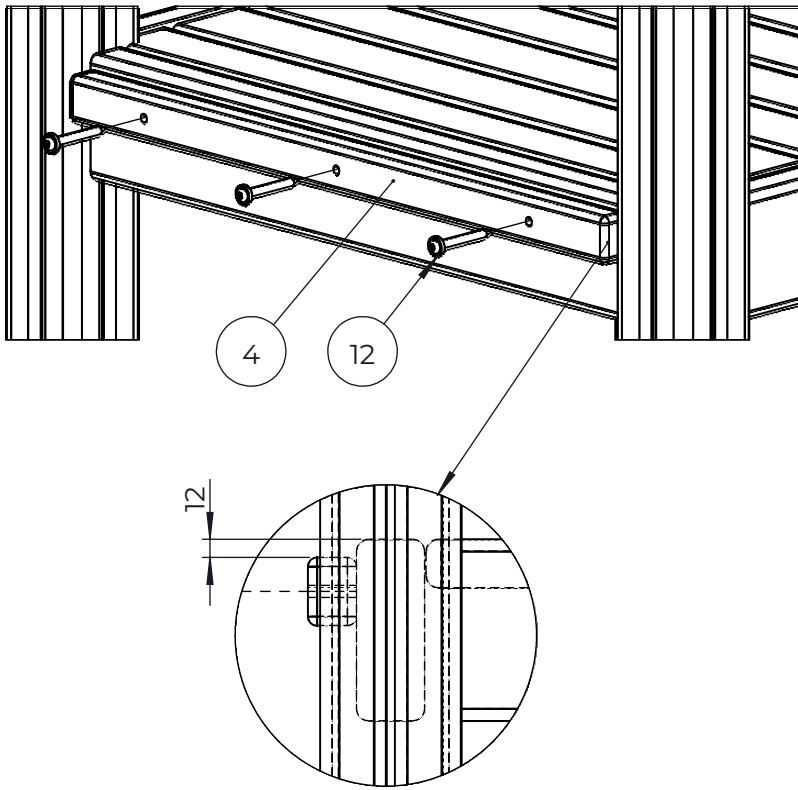


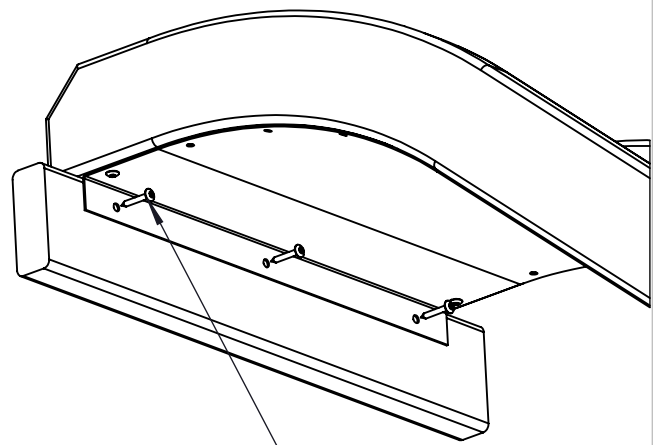
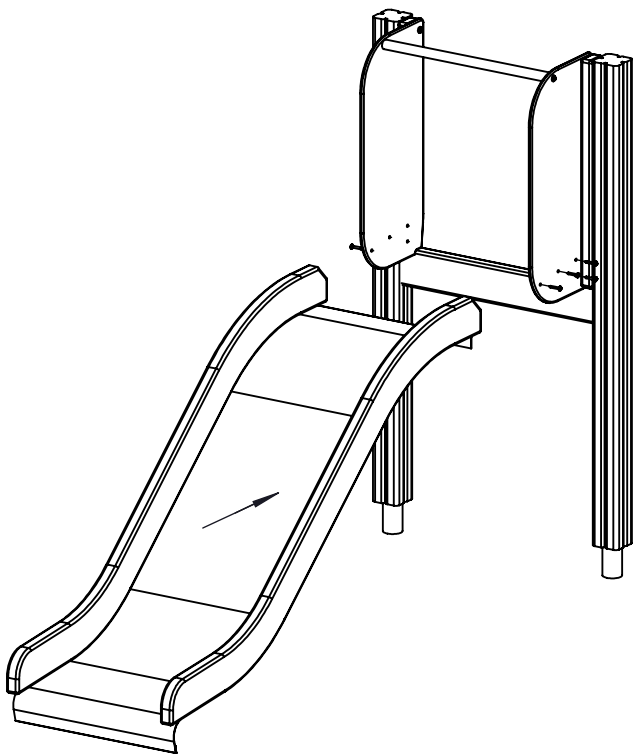
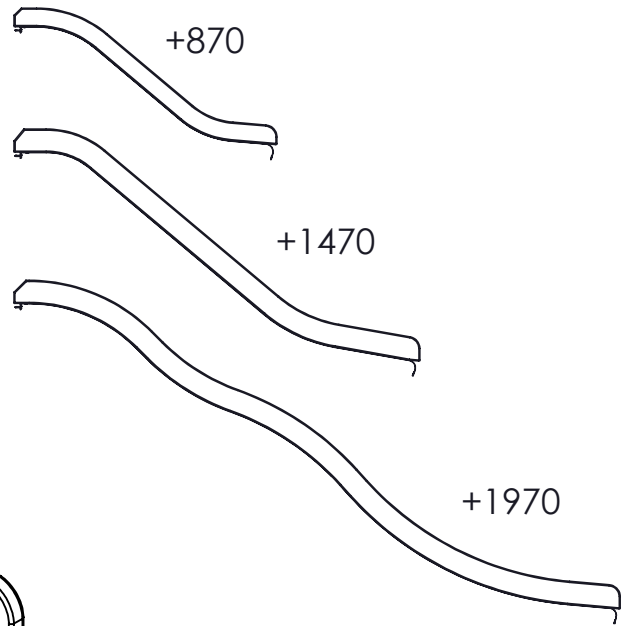
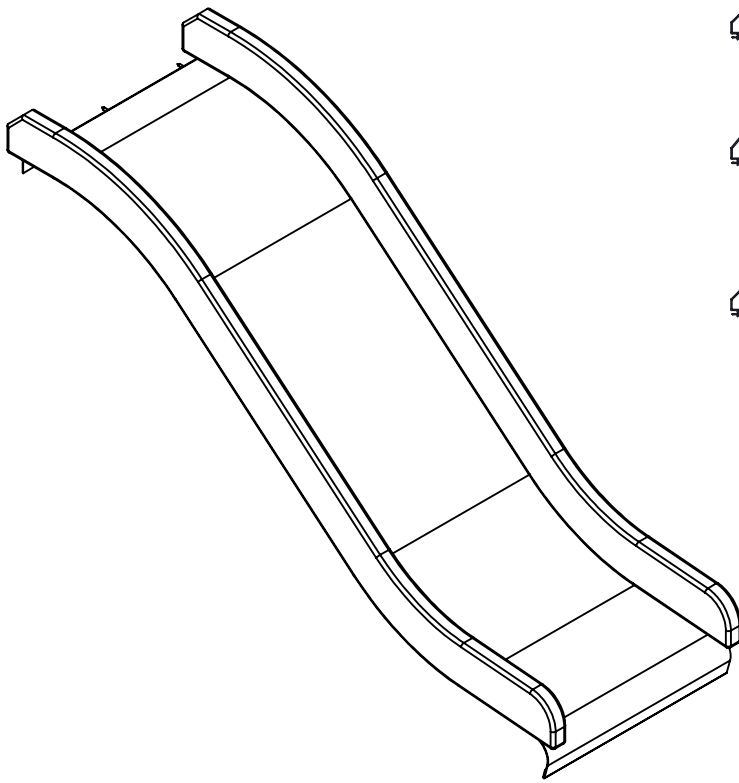
NO.	ITEM CODE			QTY.
1	712303	BATTEN	40x70x730	2
2	980100	SCREW	Ø5x60	12



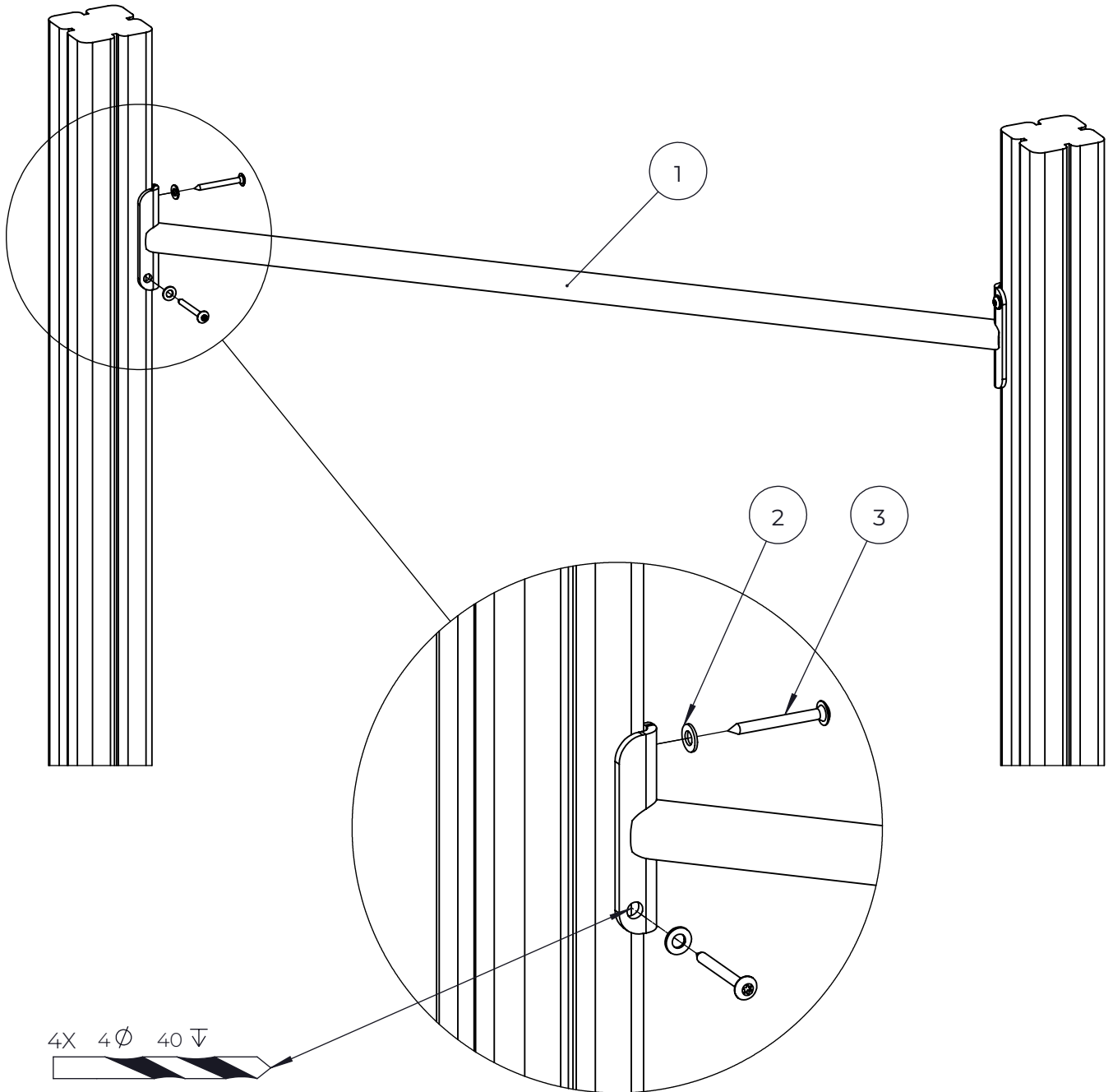
NO.	ITEM CODE			QTY.
1	914417	SUPPORT	60x155x826	1
2	914416	SUPPORT	60x155x826	1
3	710467	LATH	32x90x845	7
4	70644	STRIP	32x45x702	1
5	712053	FLOOR	12x176x732	1
6	909854	COUNTERSUNK SCREW	M8x50	14
7	900348	ALLEN SCREW	M8x30	2
8	909256	WASHER	Ø16/8.4x1.6	16
9	909633	NUT	M8	16
10	902270	SCREW	Ø5x50	2
11	900240	SPECIAL SCREW	Ø8x70	7



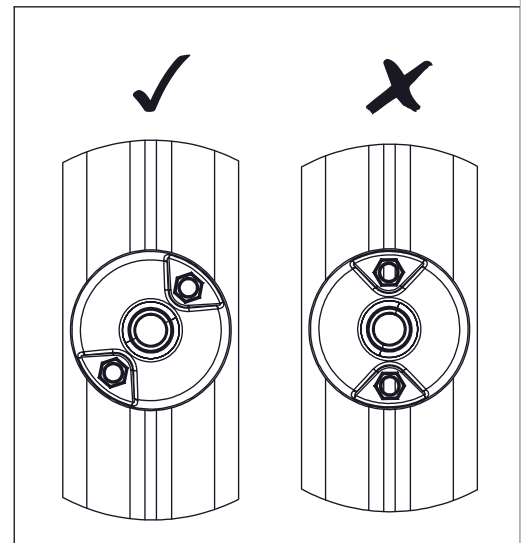
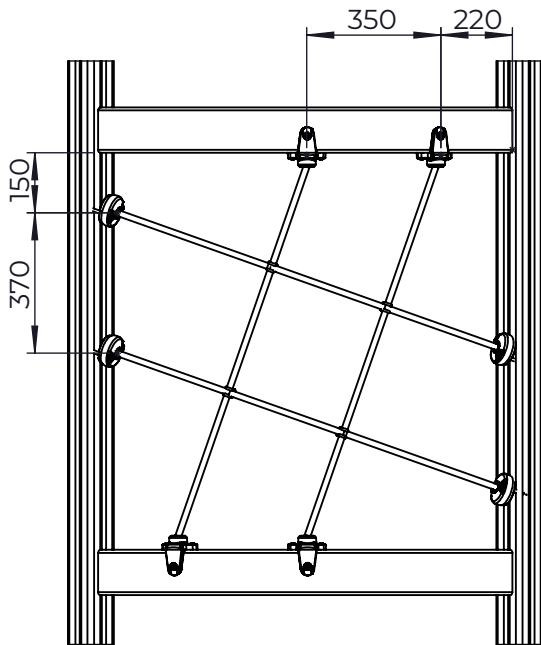
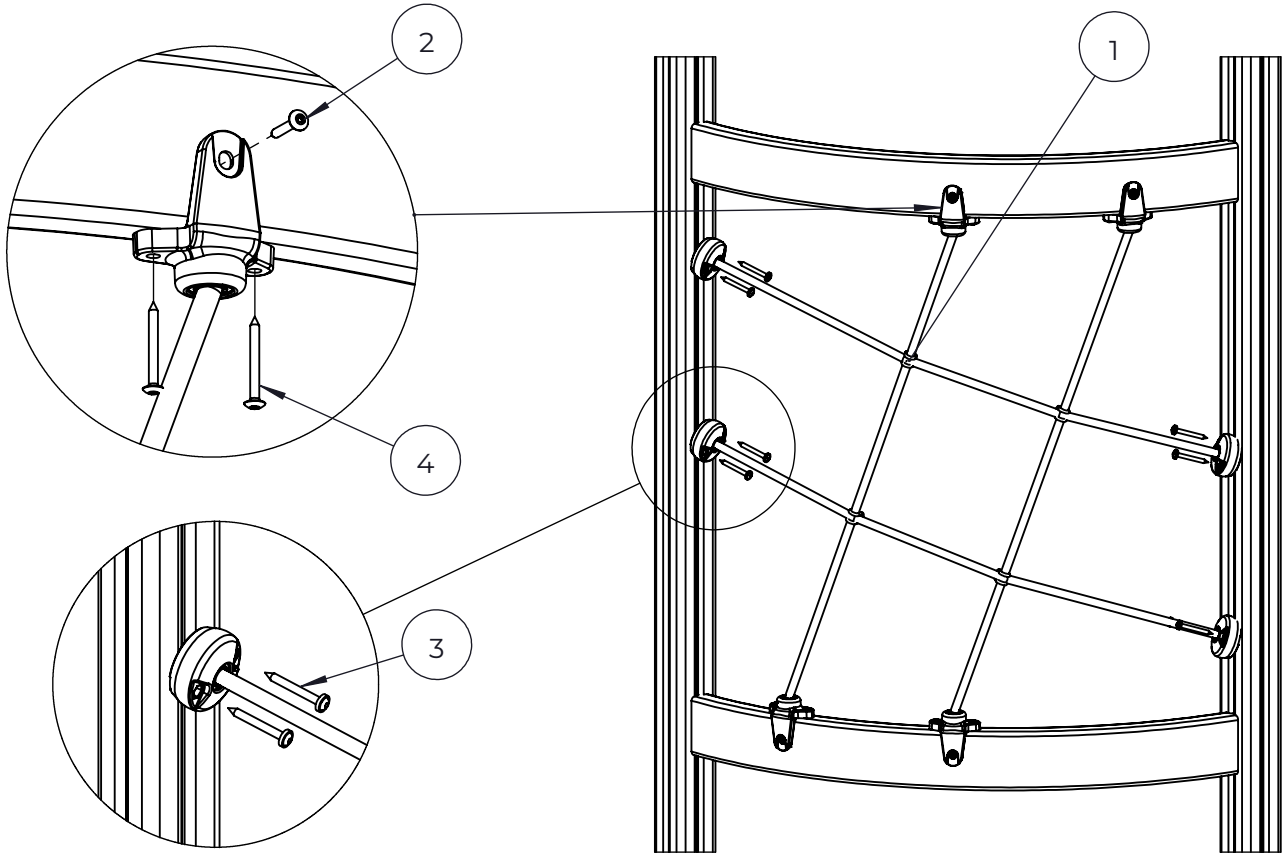




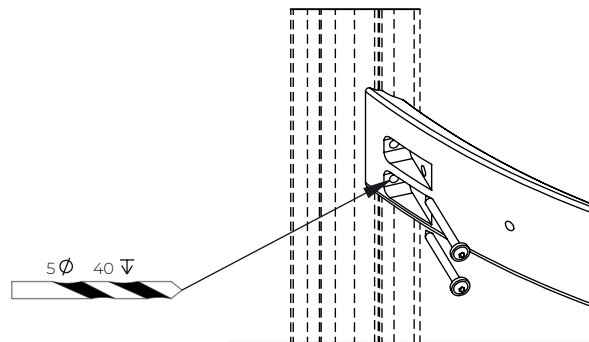
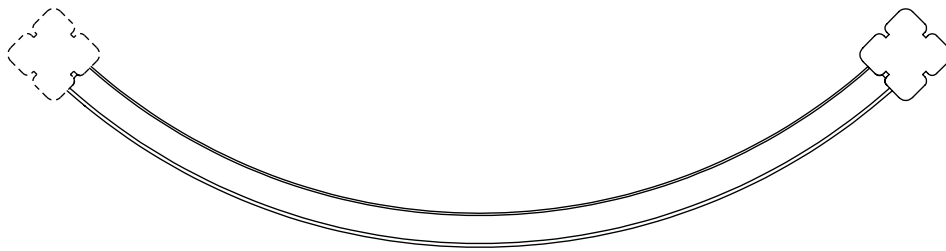
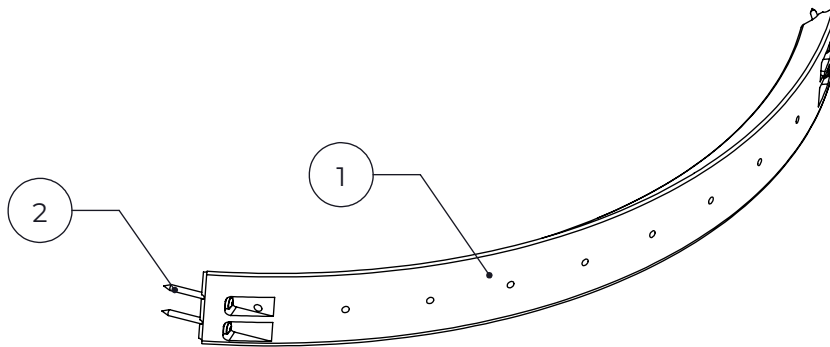
3 x Ø7x40
(980128)



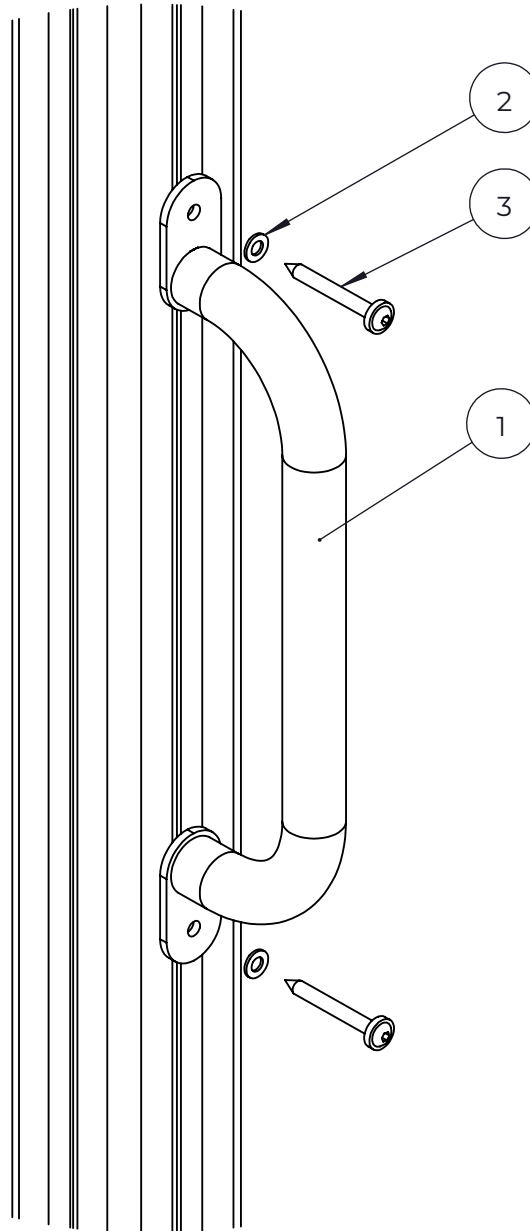
NO.	ITEM CODE			QTY.
1	914895	BAR ELEMENT	1027	1
2	909256	WASHER	Ø16/8.4x1.6	4
3	980123	SPECIAL SCREW	Ø7x60	4



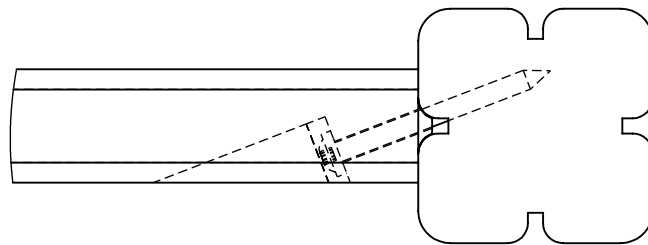
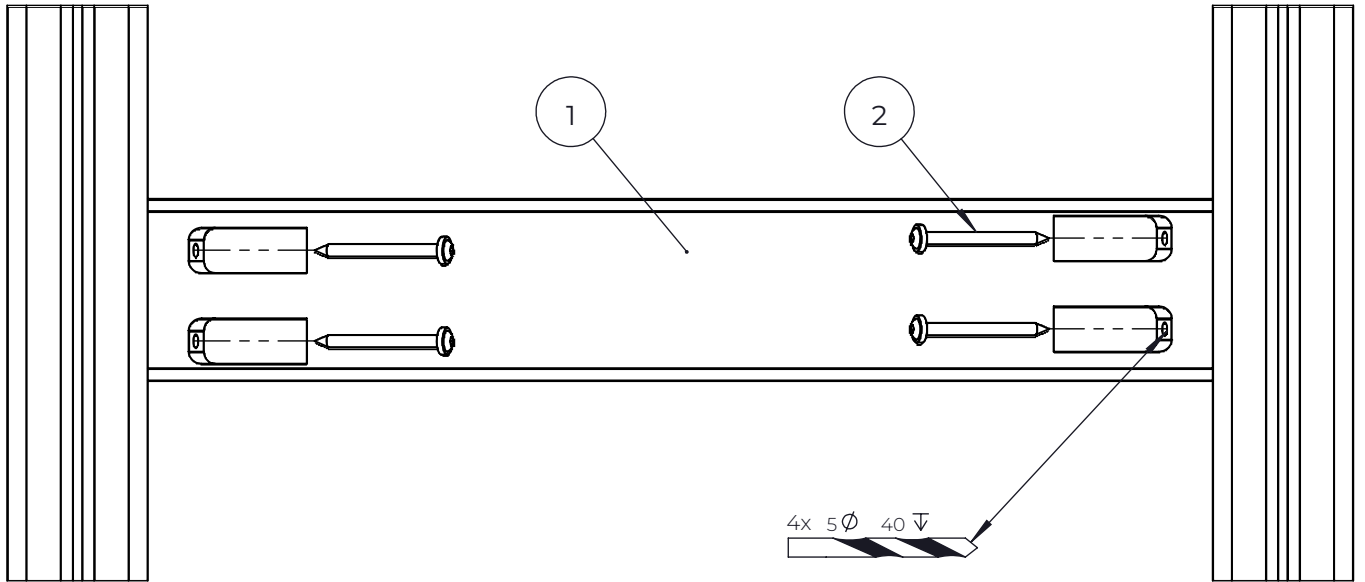
NO.	ITEM CODE			QTY.
1	712584	NET ASSEMBLY	1050x1065	1
2	980128	SPECIAL SCREW	Ø7x40	4
3	900240	SPECIAL SCREW	Ø8x70	8
4	980123	SPECIAL SCREW	Ø7x60	8



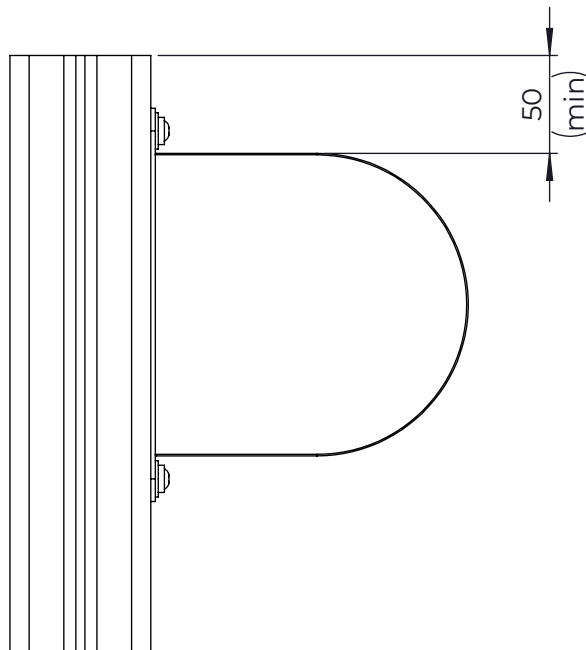
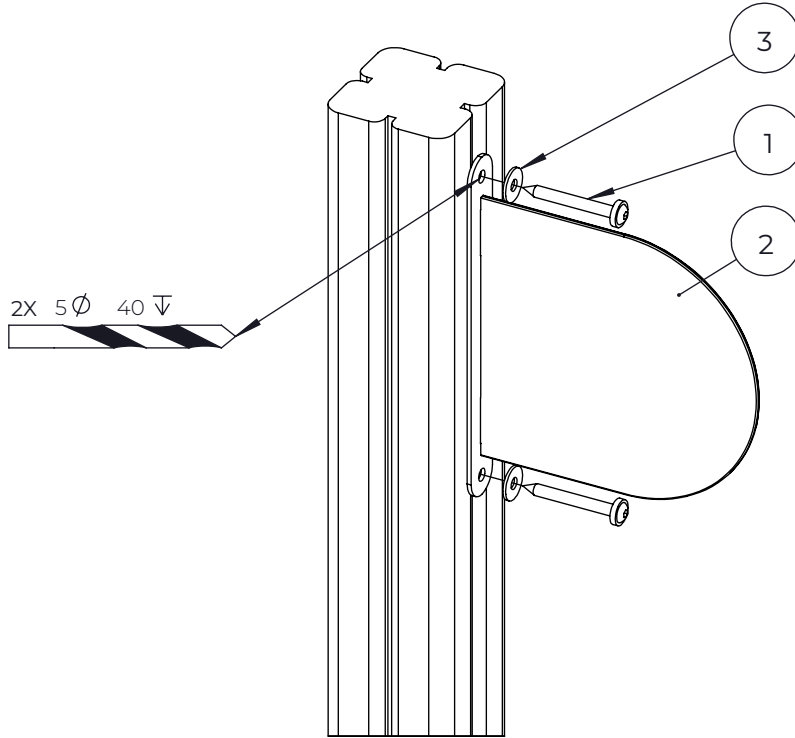
NO.	ITEM CODE			QTY.
1	710469	ARCH ELEMENT	45x120x1096	1
2	903093	SPECIAL SCREW	Ø8x90	4



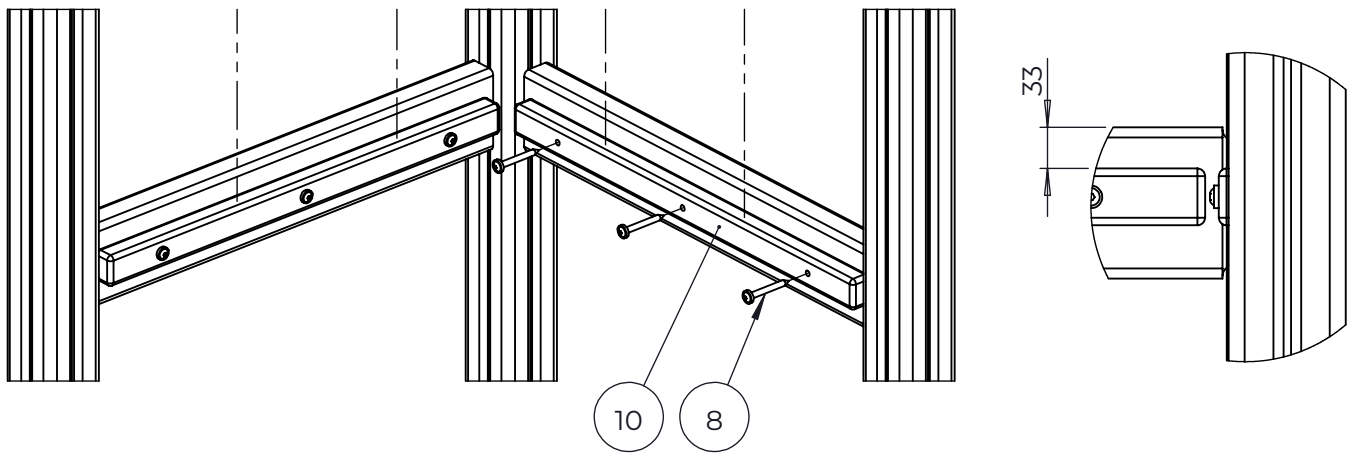
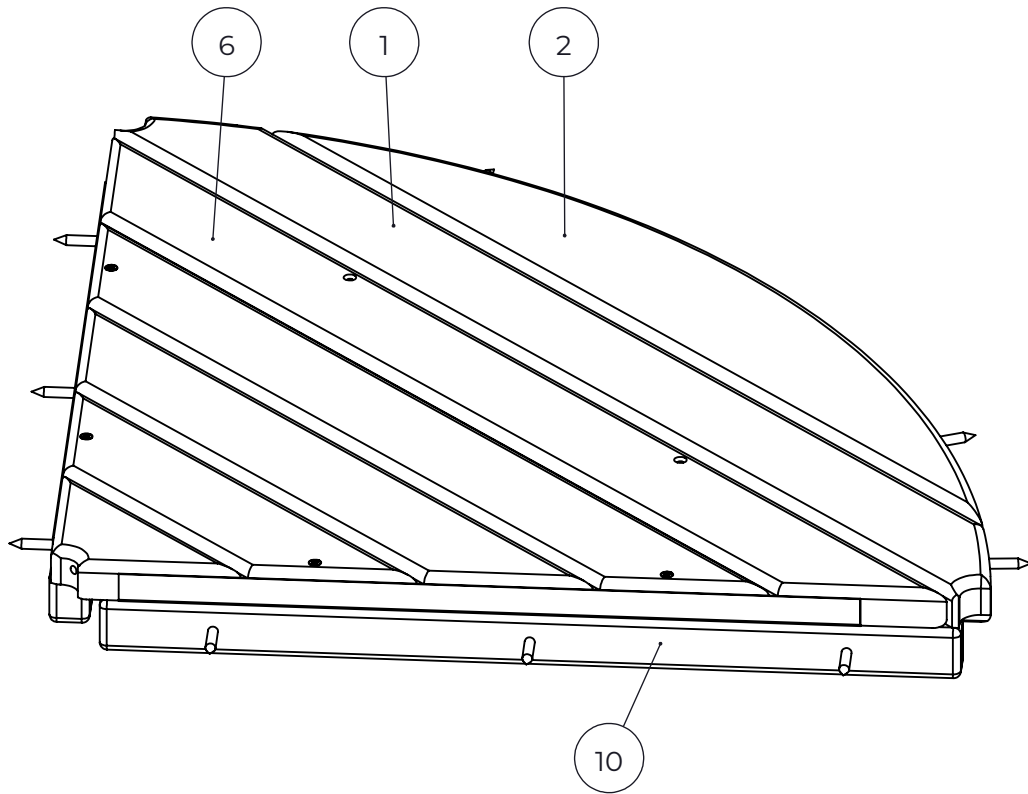
NO.	ITEM CODE			QTY.
1	914419	GRIP	40x119x490	1
2	909256	WASHER	Ø16/8.4x1.6	2
3	900240	SPECIAL SCREW	Ø8x70	2



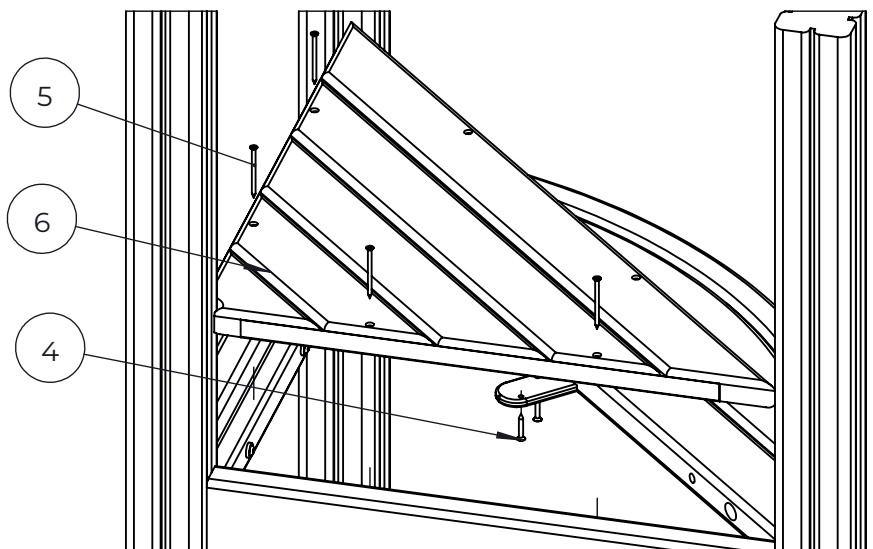
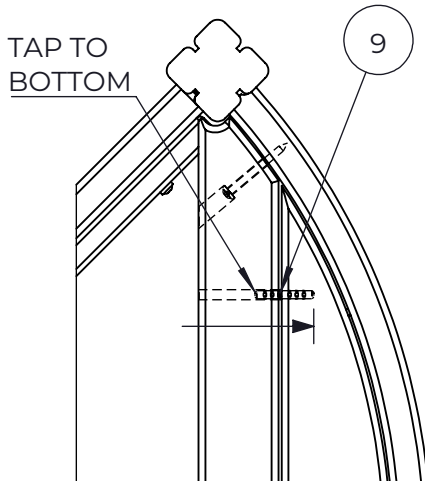
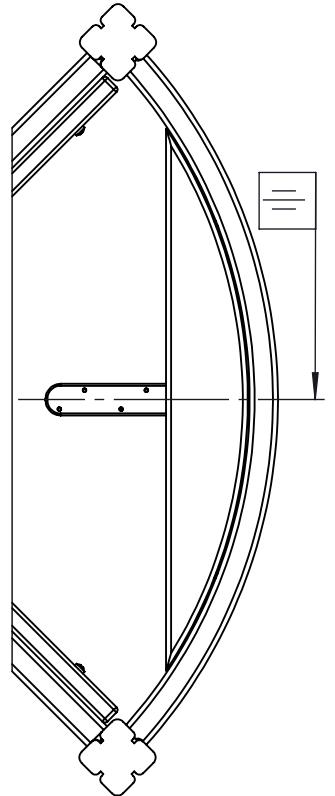
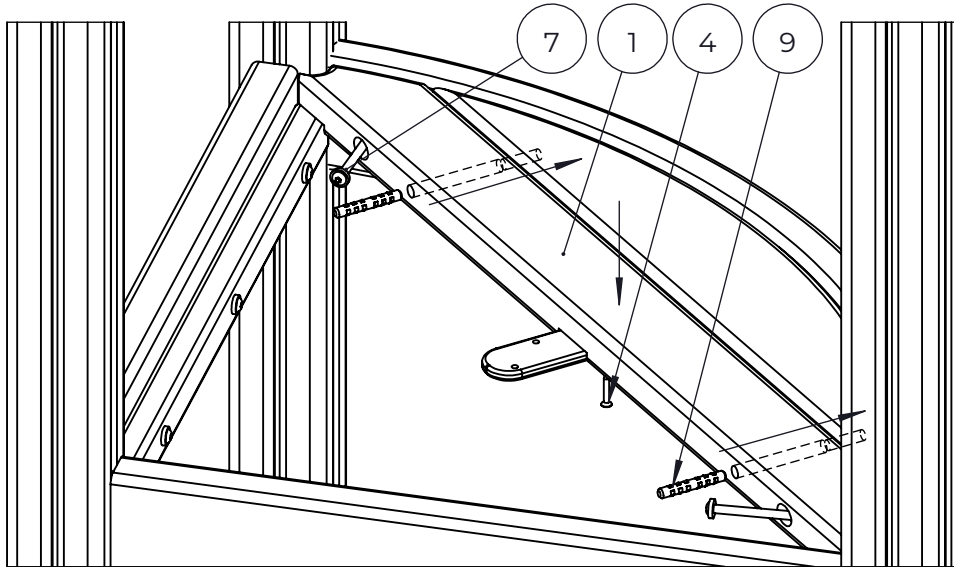
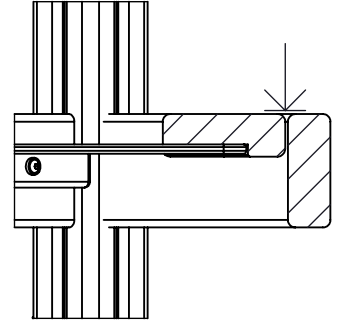
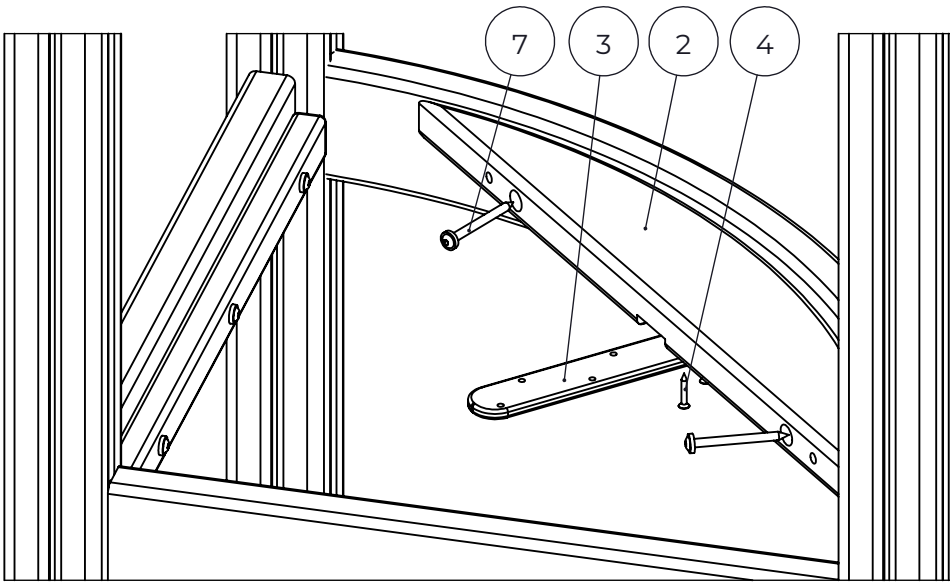
NO.	ITEM CODE			QTY.
1	712079	BOOM	45x120x715	1
2	903093	SPECIAL SCREW	Ø8x90	4

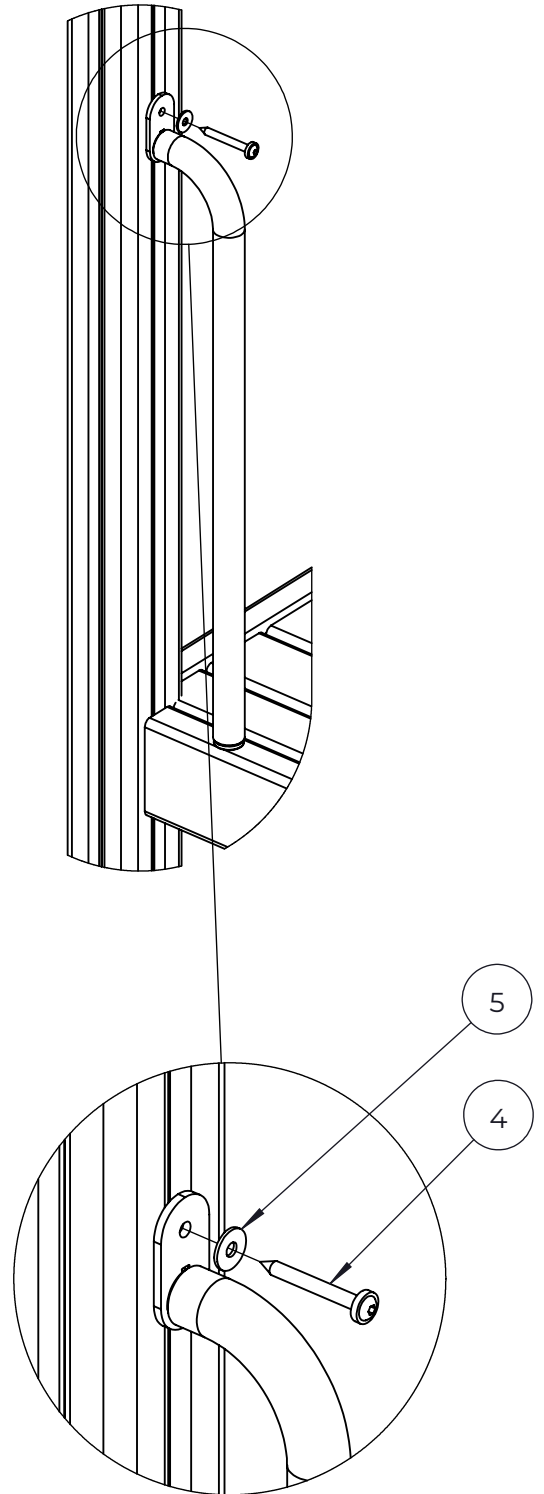
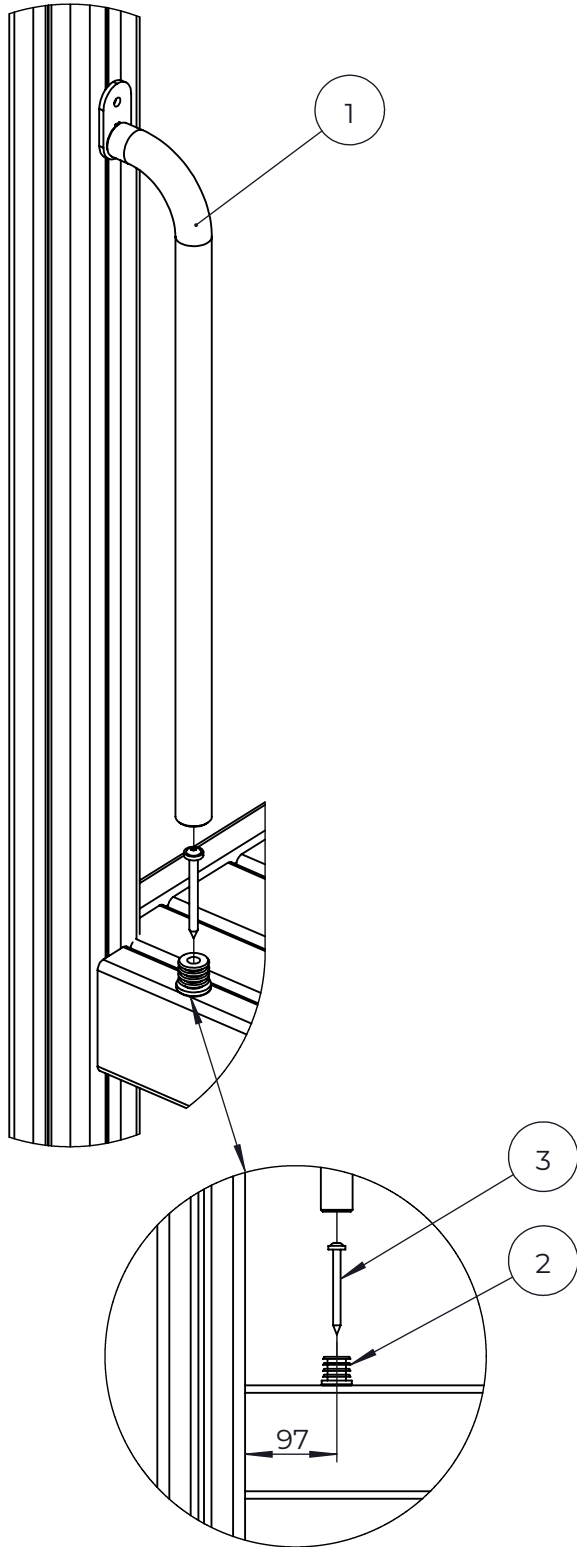


NO.	ITEM CODE			QTY.
1	900240	SPECIAL SCREW	Ø8x70	2
2	914264	STREAMER	30x217x260	1
3	980152	WASHER	Ø24/8.4x2	2

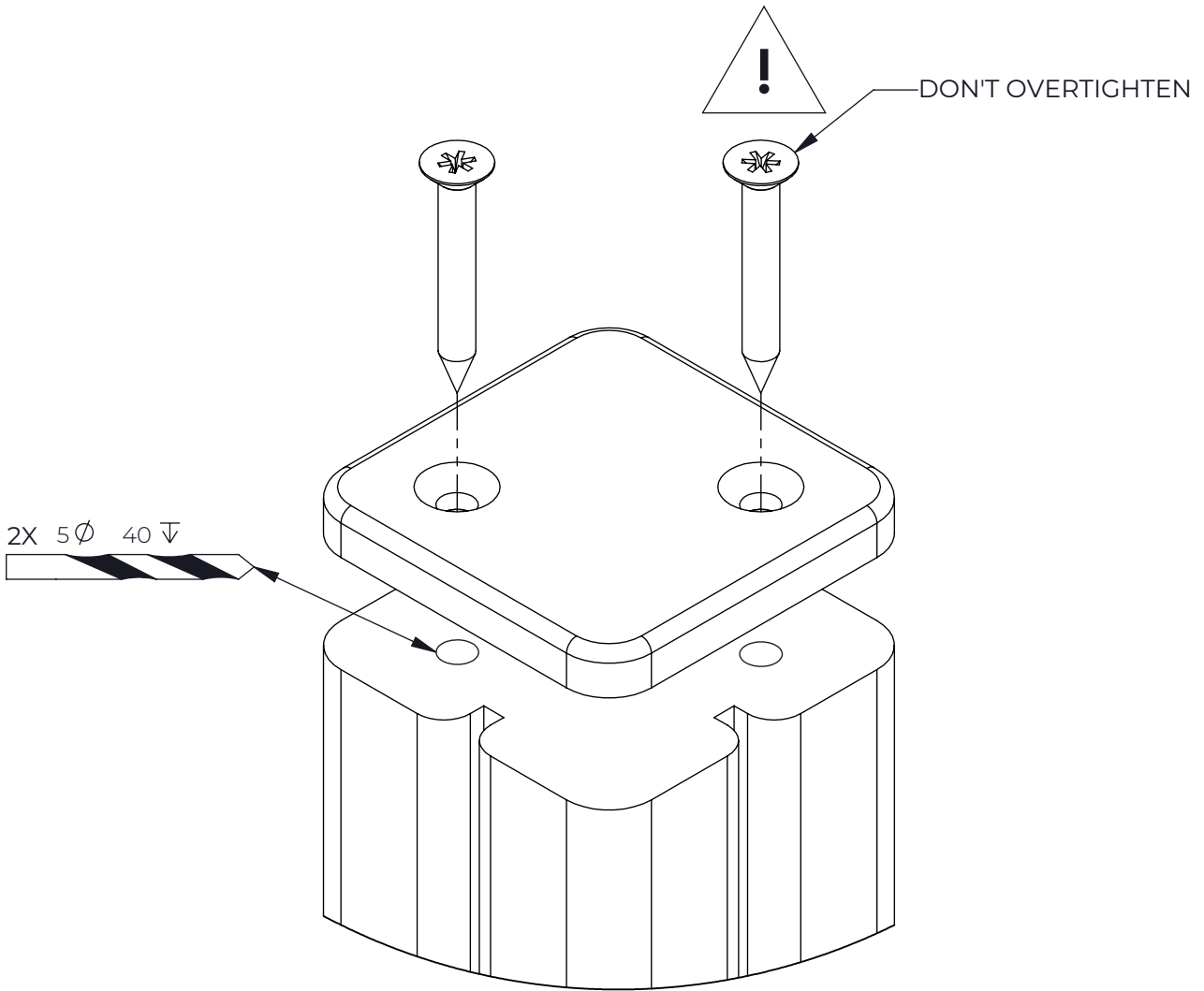


NO.	ITEM CODE			QTY.
1	710453	PLANK	45x95x1023	1
2	710405	PLANK	45x133x870	1
3	710466	PLATE	10x50x280	1
4	980129	SCREW	Ø5x35	6
5	980101	COUNTERSUNK SCREW	Ø4,5 x 70	4
6	712956	FLOOR ELEMENT	32x714x714	1
7	903093	SPECIAL SCREW	Ø8x90	4
8	900240	SPECIAL SCREW	Ø8x70	6
9	909567	PIN	Ø10 X 75	2
10	709709	STRIP	32x45x685	2

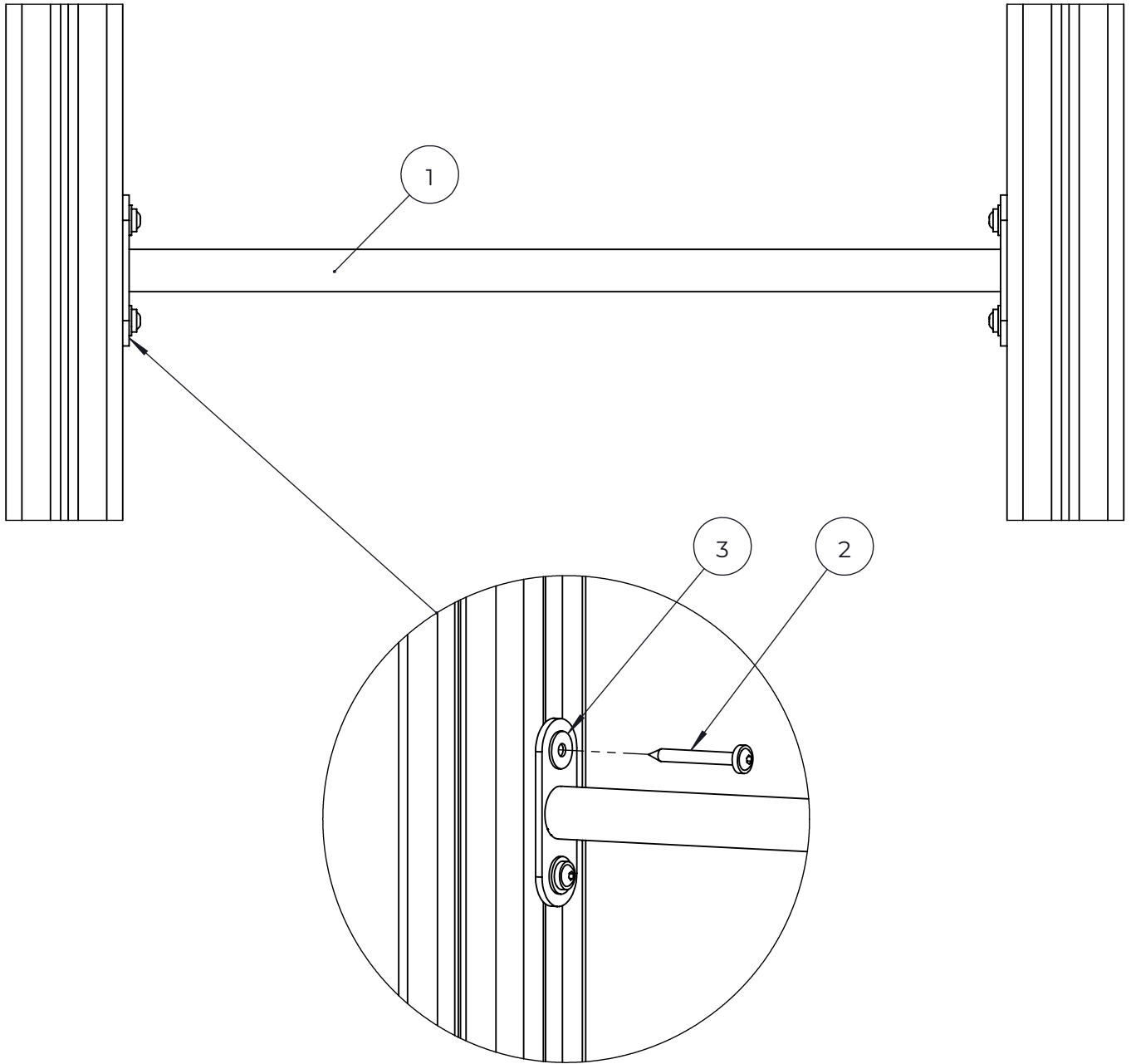




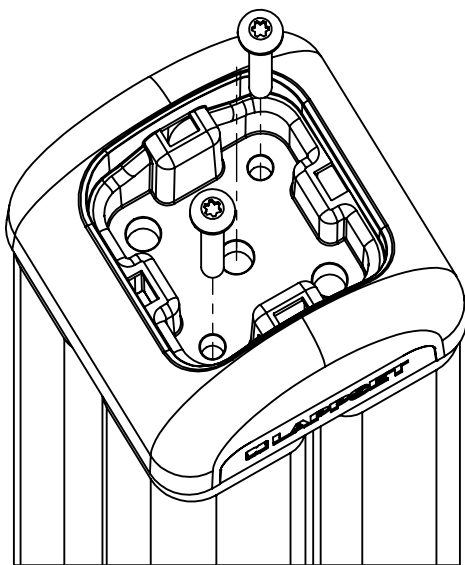
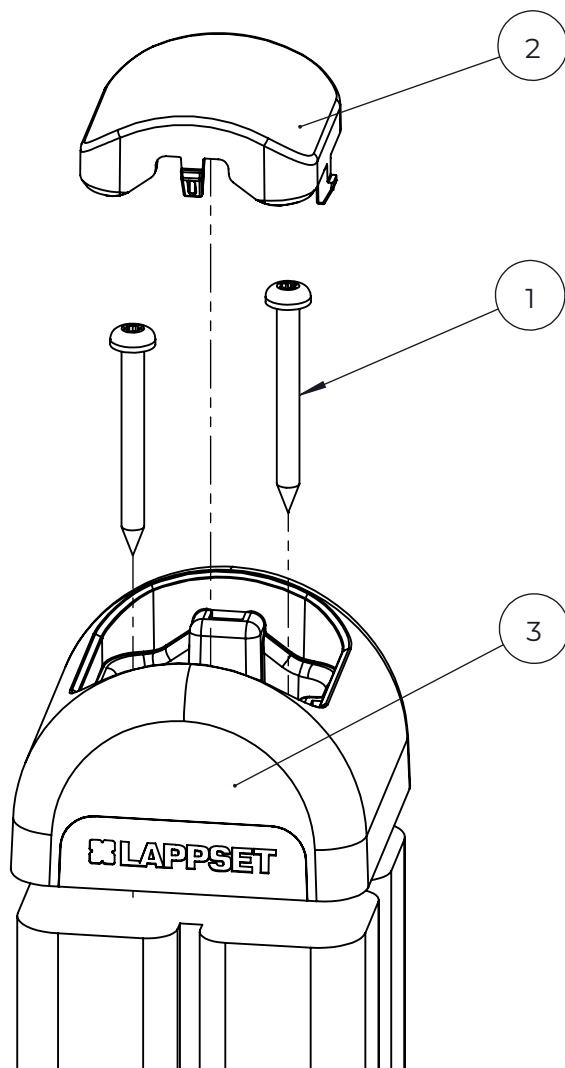
NO.	ITEM CODE			QTY.
1	914173	HAND GRIP	40x114x760	1
2	908057	CONNECTOR	Ø32/29-L5/30	1
3	903093	SPECIAL SCREW	Ø8x90	1
4	900240	SPECIAL SCREW	Ø8x70	1
5	980152	WASHER	Ø24/8.4x2	1



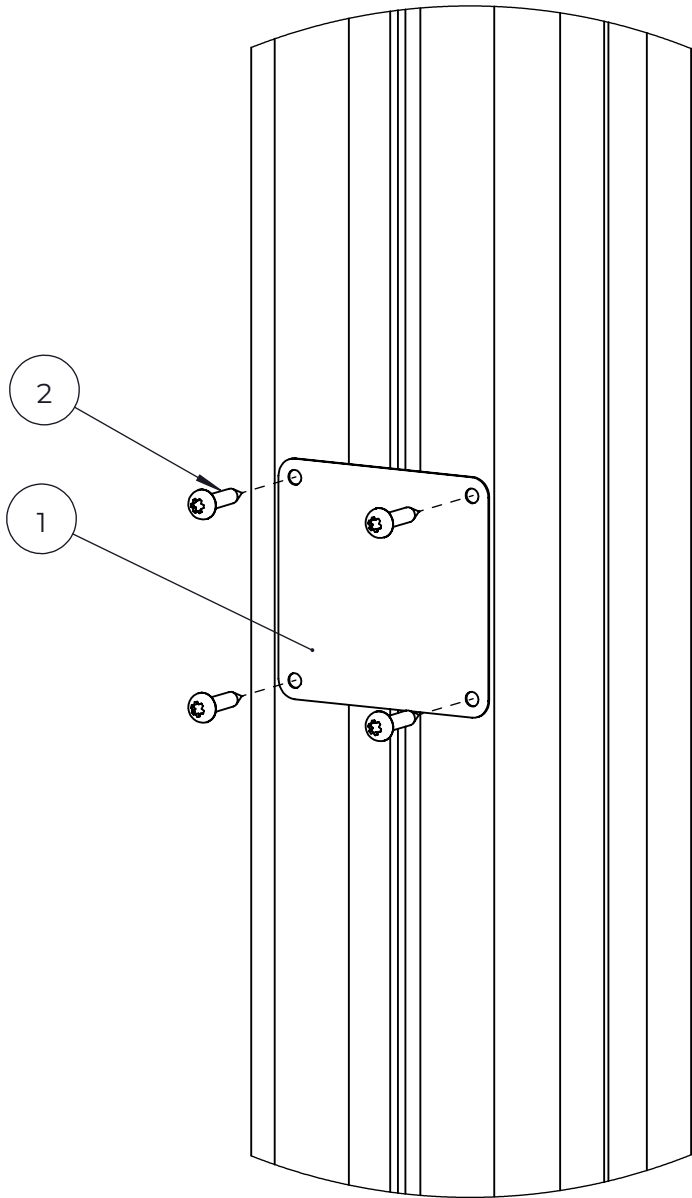
NO.	ITEM CODE			QTY.
1	906630	SCREW	Ø8x60	2
2	711807	TOP HAT	93x93x12	1



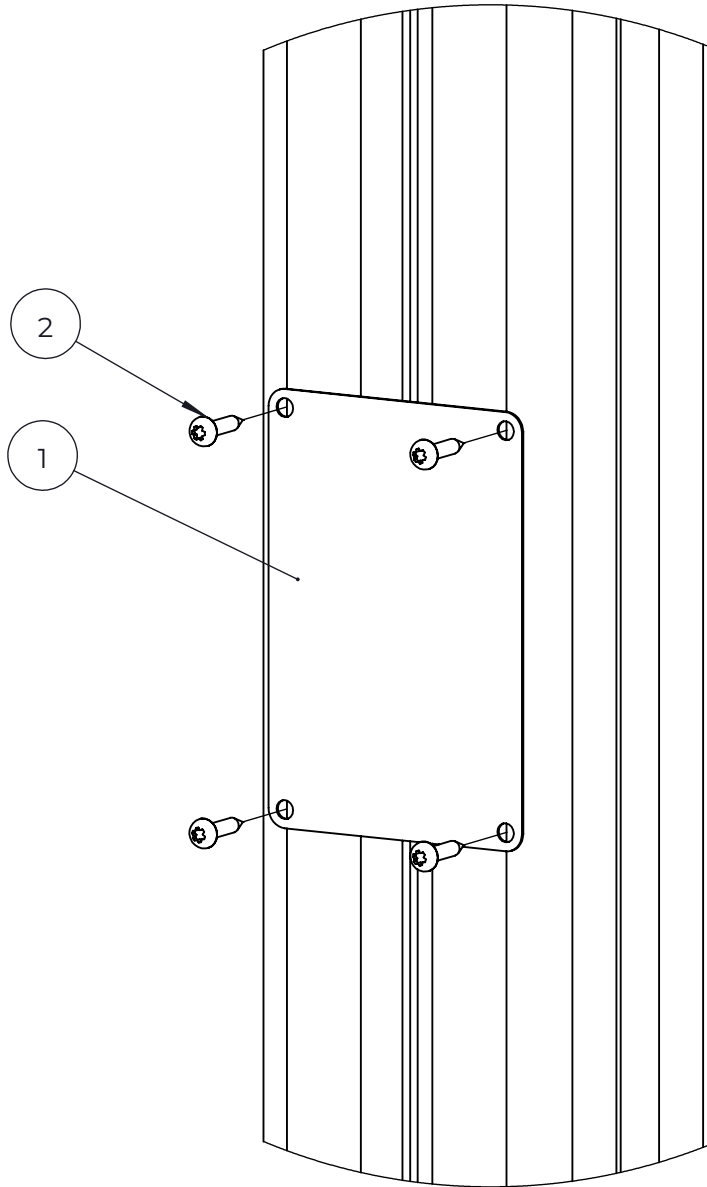
NO.	ITEM CODE			QTY.
1	914099	BAR ELEMENT	40x120x704	1
2	900240	SPECIAL SCREW	Ø8x70	4
3	980152	WASHER	Ø24/8.4x2	4



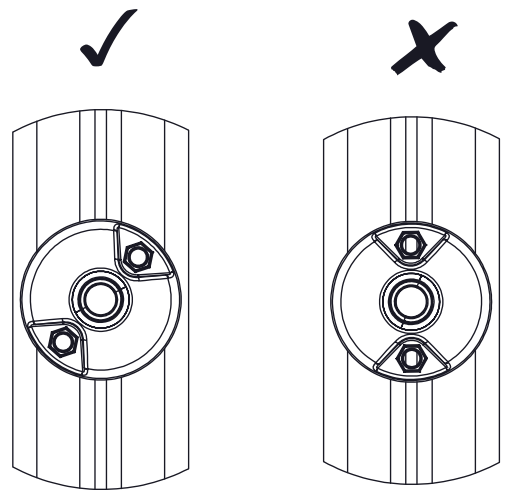
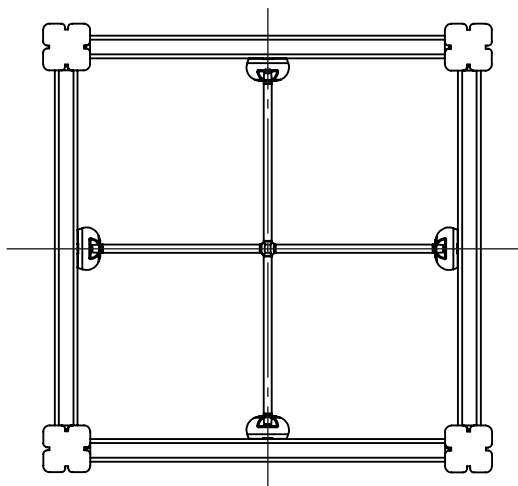
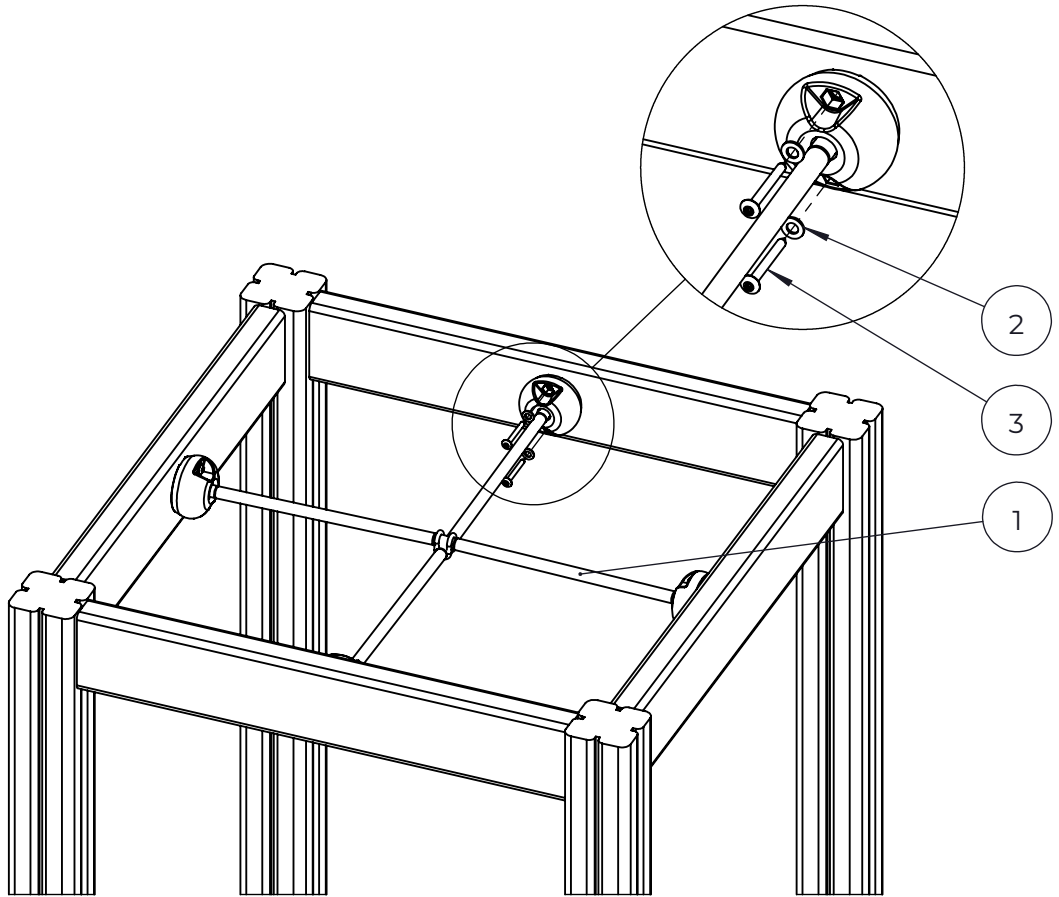
NO.	ITEM CODE			QTY.
1	980131	SCREW	Ø6x60	2
2	915379	TOP HAT COVER	67,5x67,6x34	1
3	915378	TOP HAT BASE	95x95x60	1



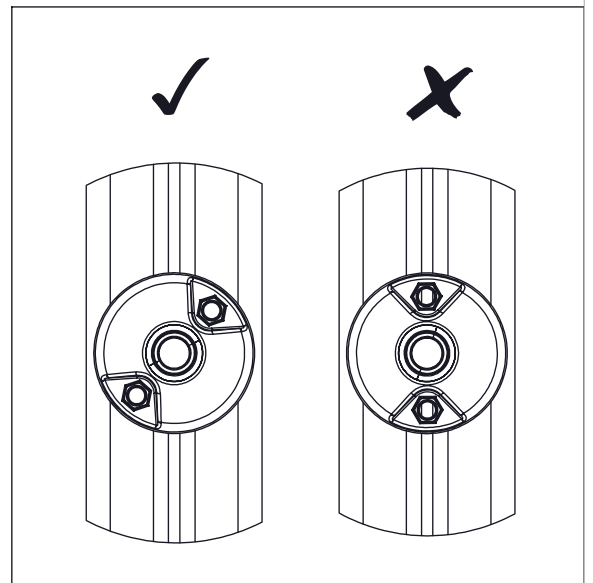
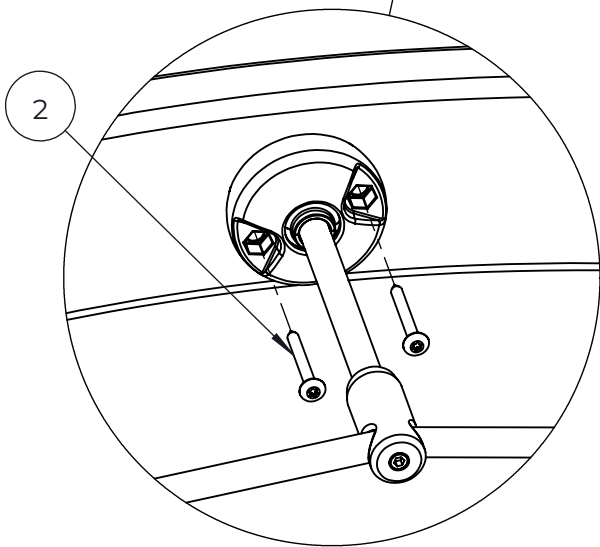
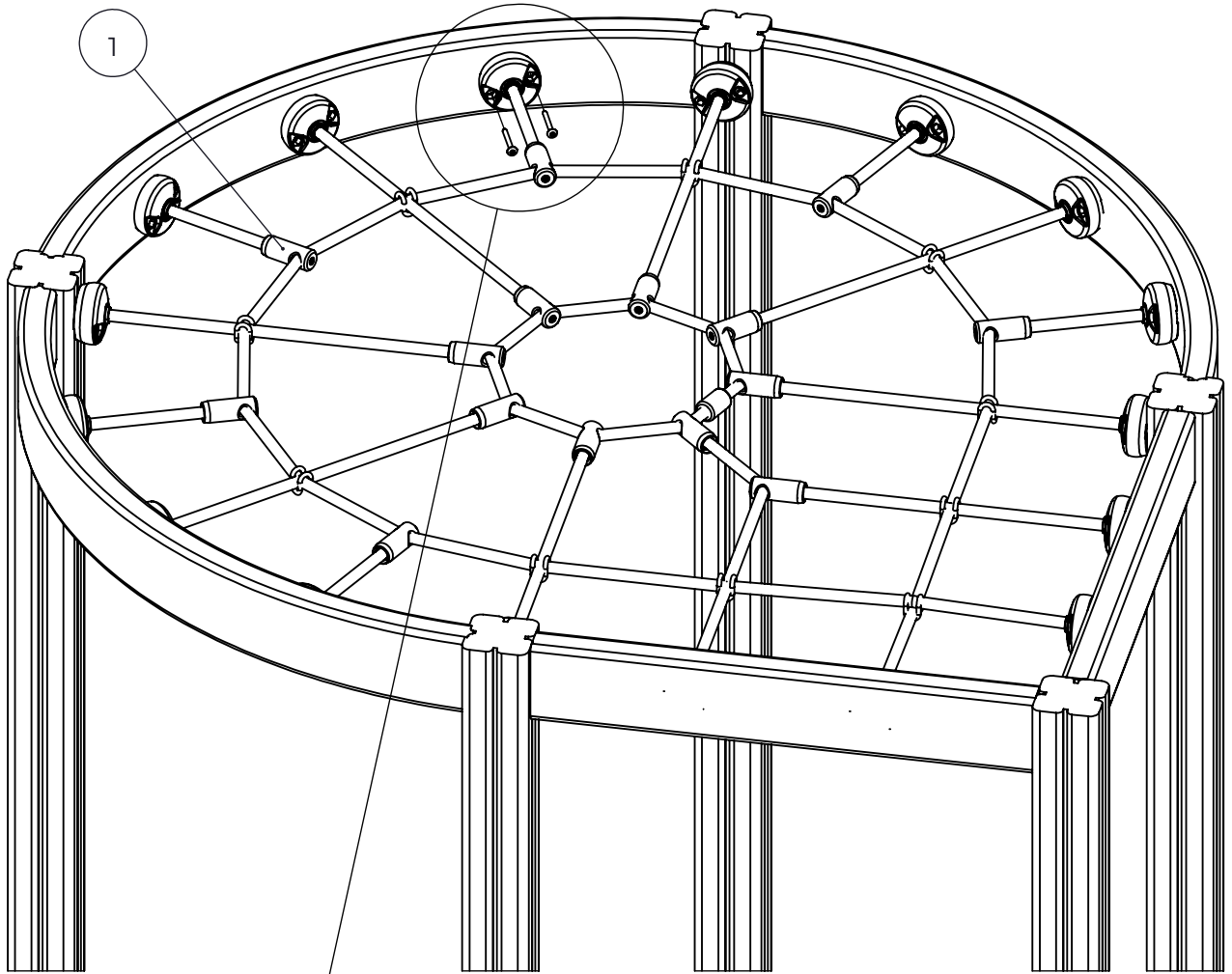
NO.	ITEM CODE			QTY.
1	702286	PRINTED LABEL	65x65	1
2	980114	SCREW	Ø4x20	4



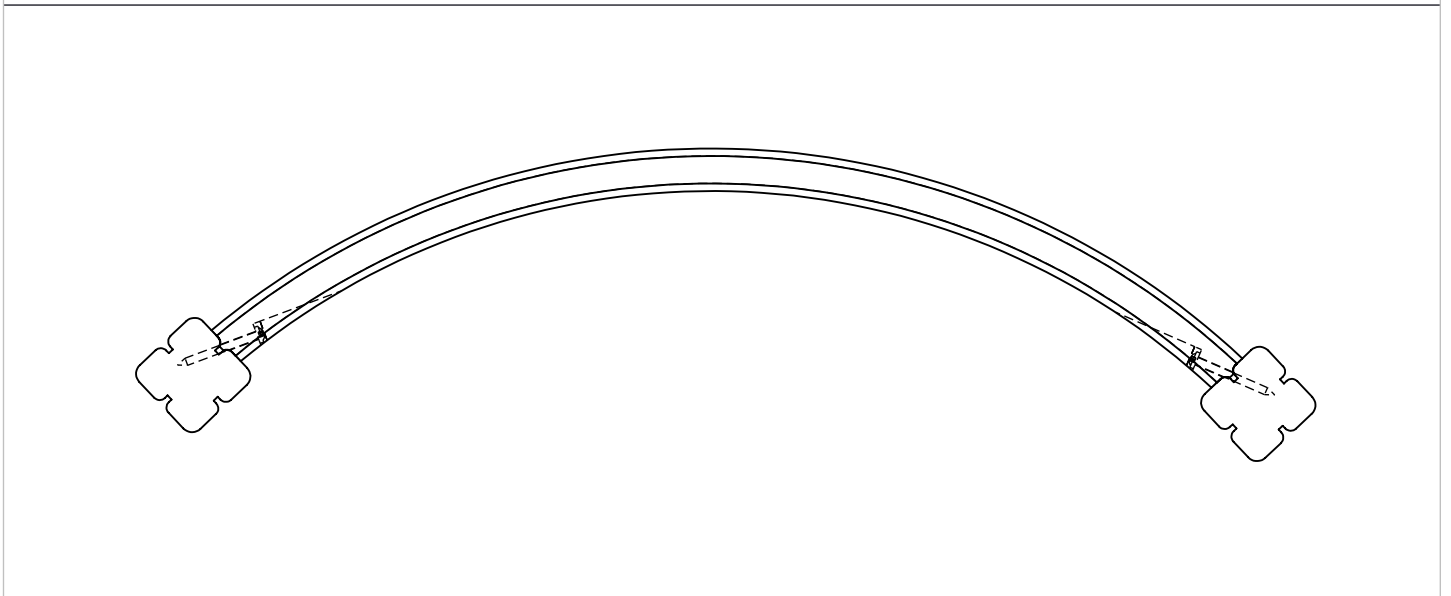
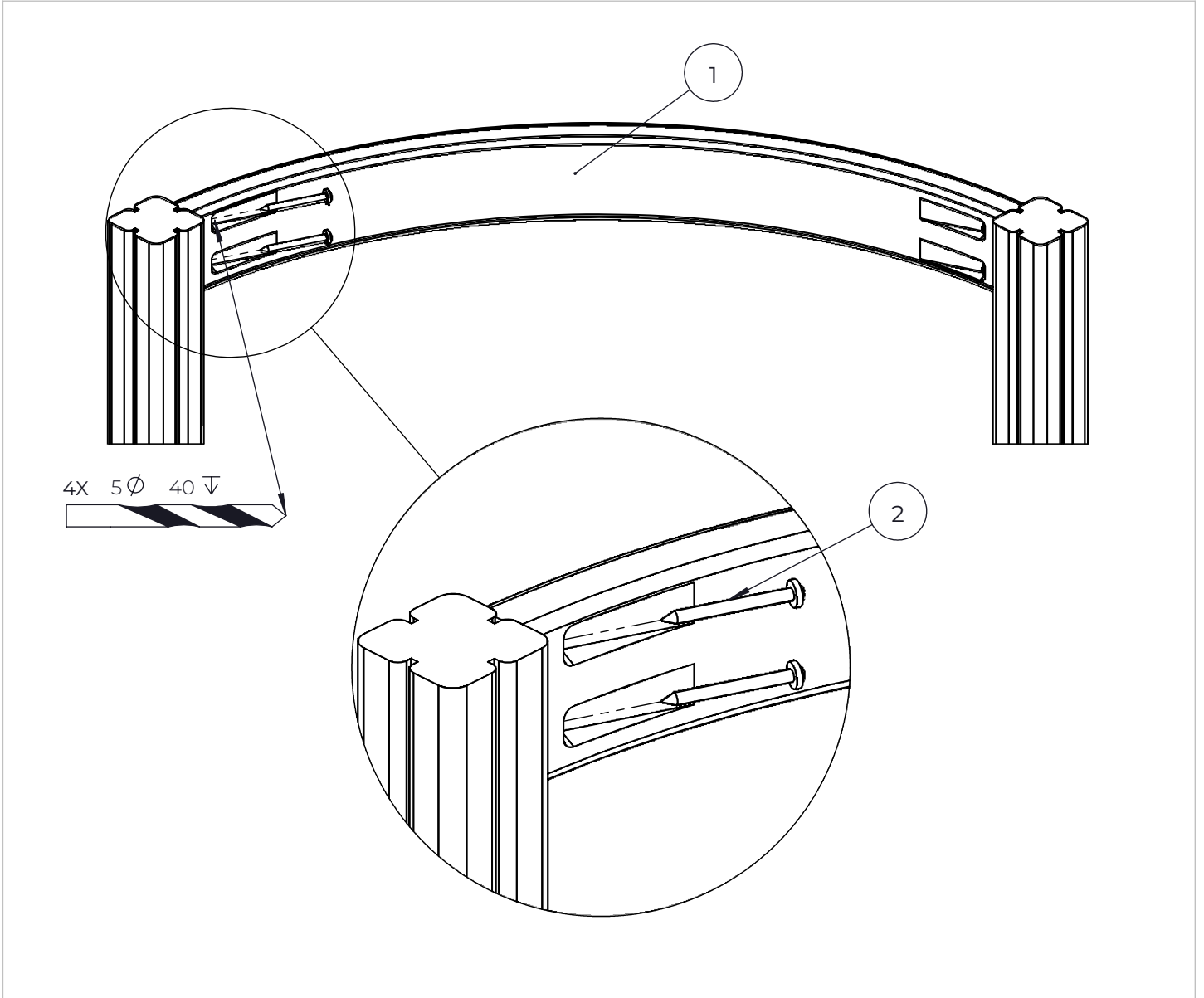
NO.	ITEM CODE			QTY.
1	702339	PRINTED LABEL	118x78	1
2	980114	SCREW	Ø4x20	4



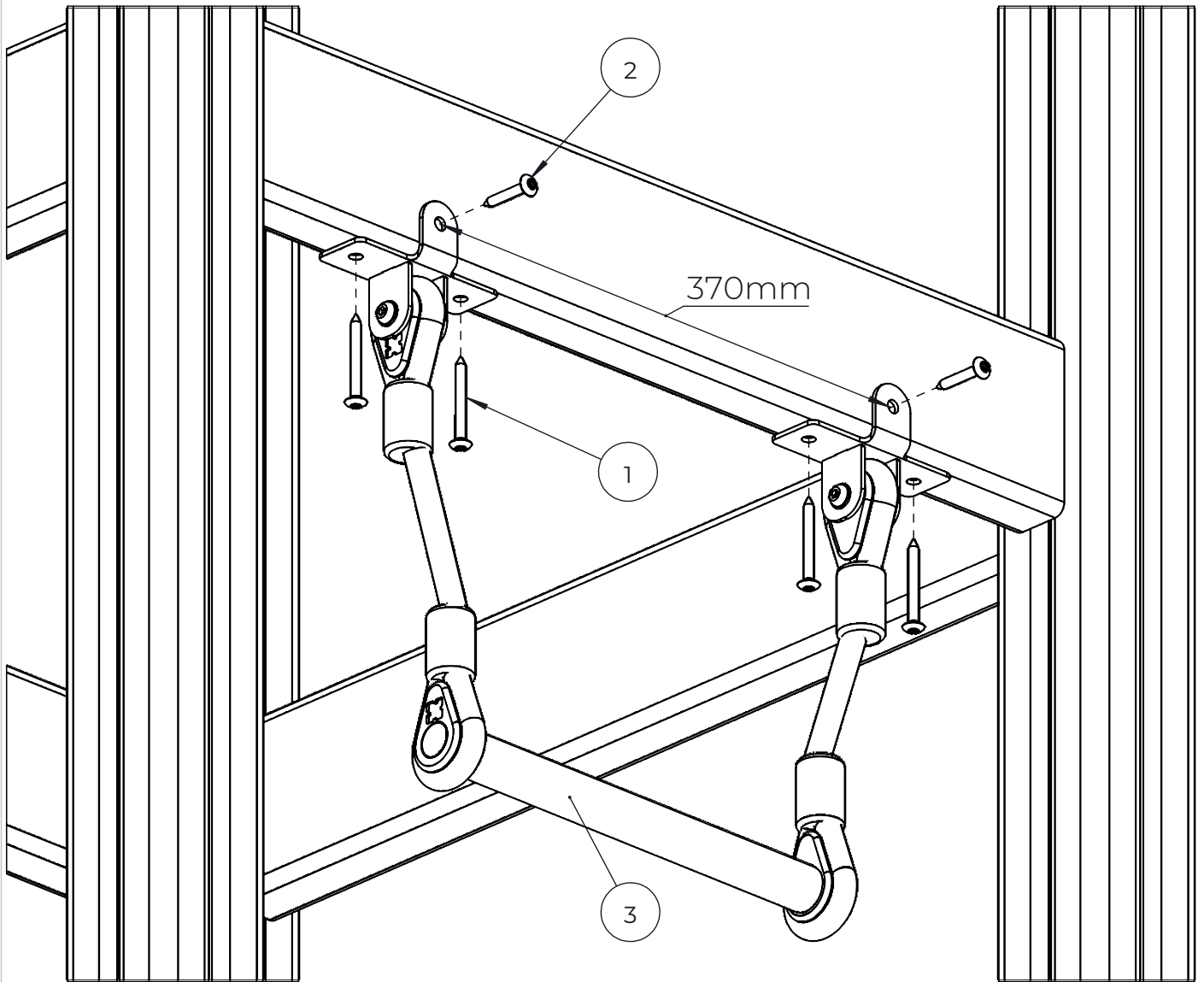
NO.	ITEM CODE			QTY.
1	706596	NET	755x755	1
2	909256	WASHER	Ø16/8.4x1.6	8
3	980123	SPECIAL SCREW	Ø7x60	8



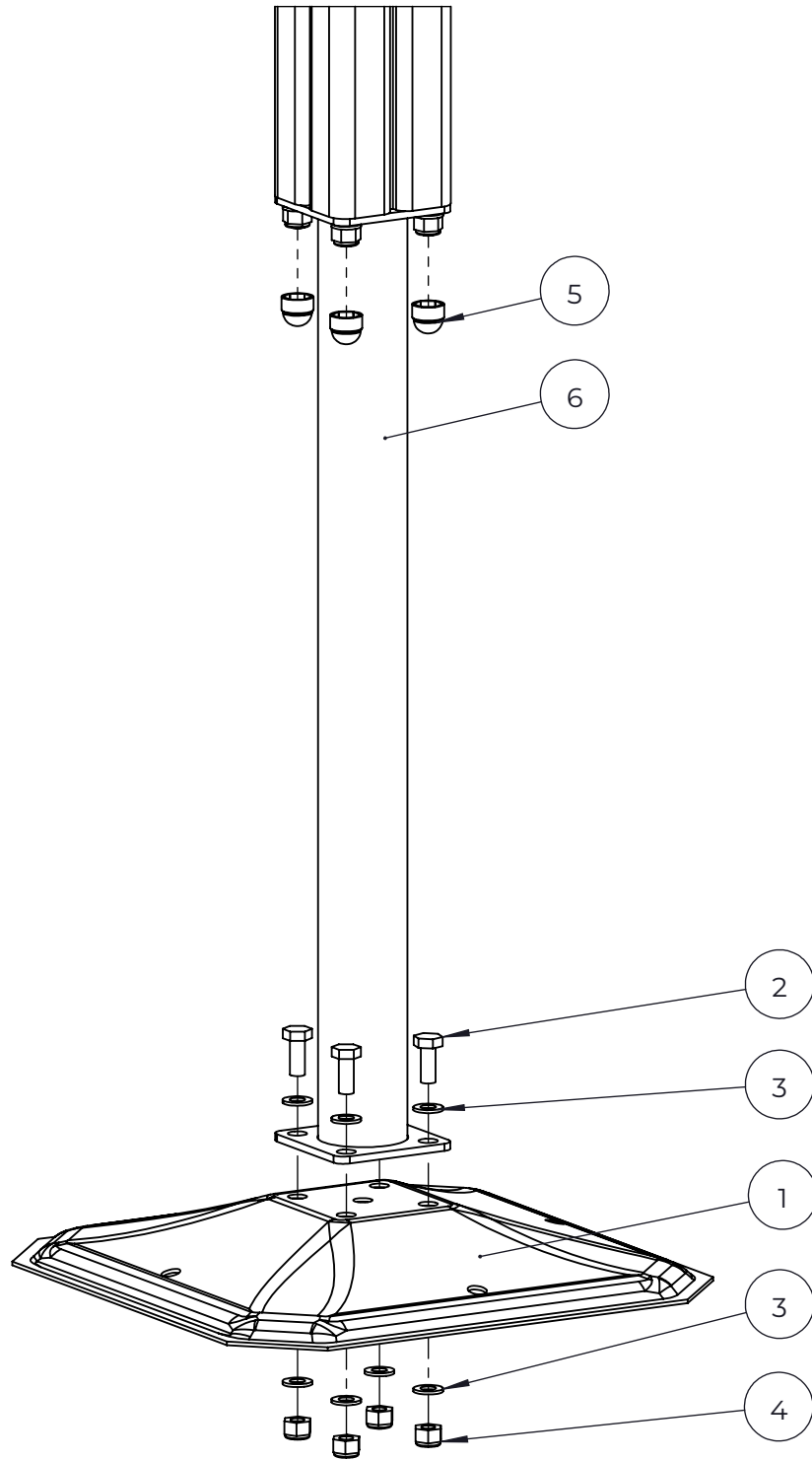
NO.	ITEM CODE			QTY.
1	711991	ROPE NET	1528x1528	1
2	980123	SPECIAL SCREW	Ø7x60	34



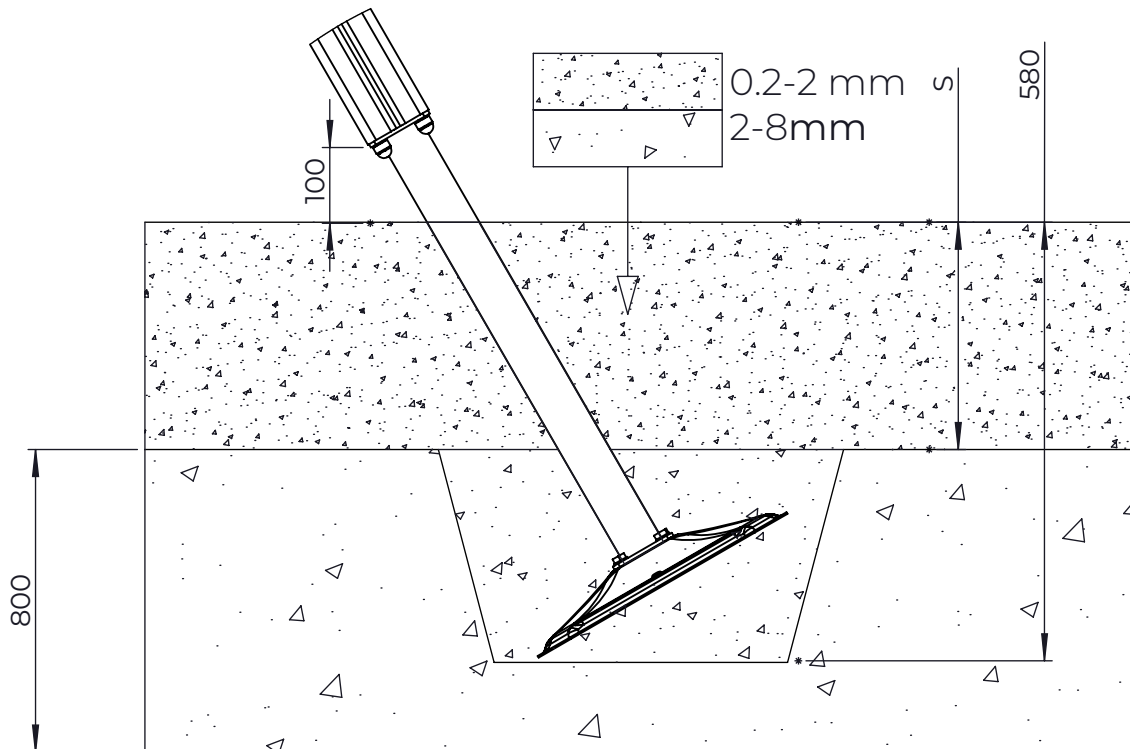
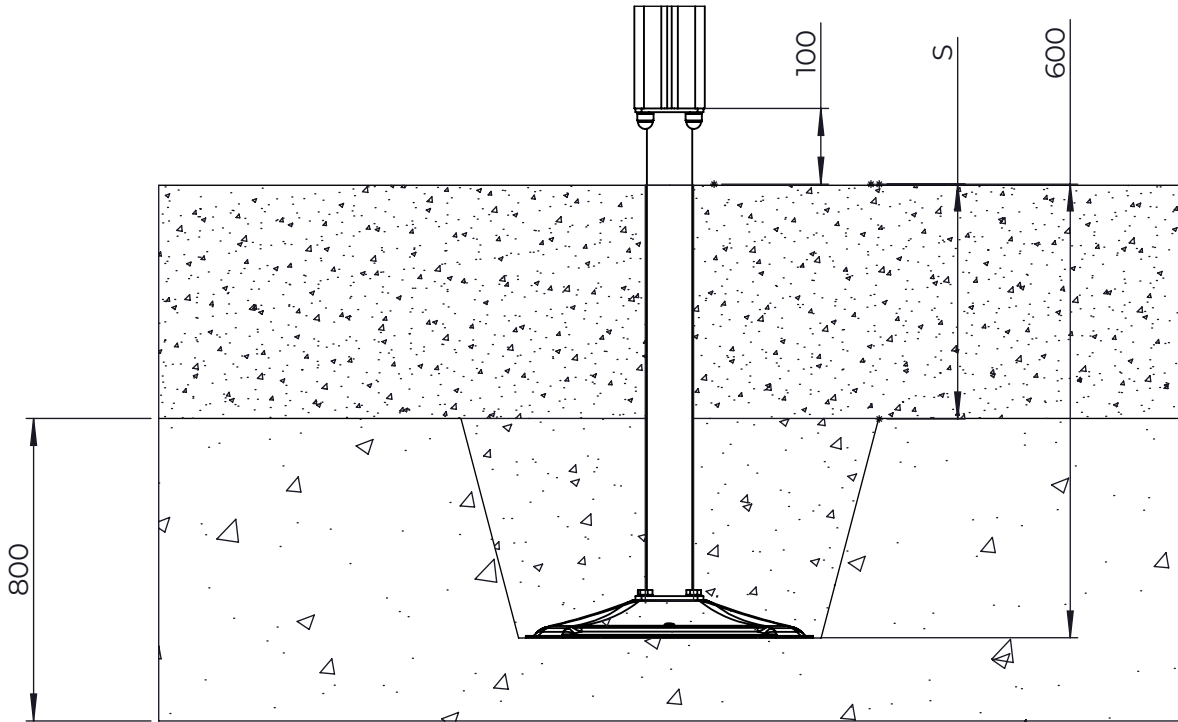
NO.	ITEM CODE			QTY.
1	711718	ARCH ELEMENT	45x120x1096	1
2	903093	SPECIAL SCREW	Ø8x90	4

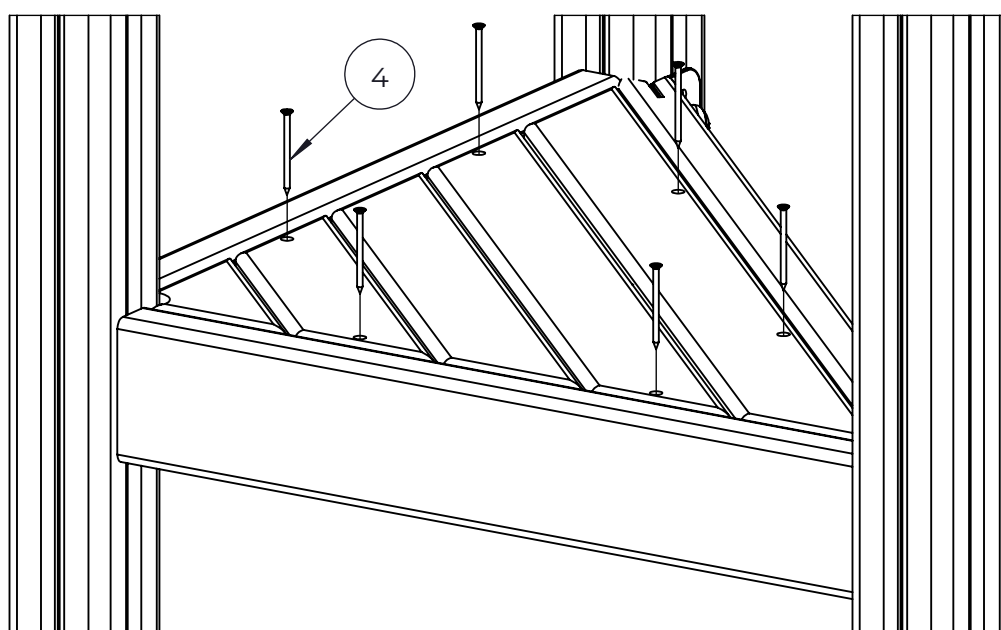
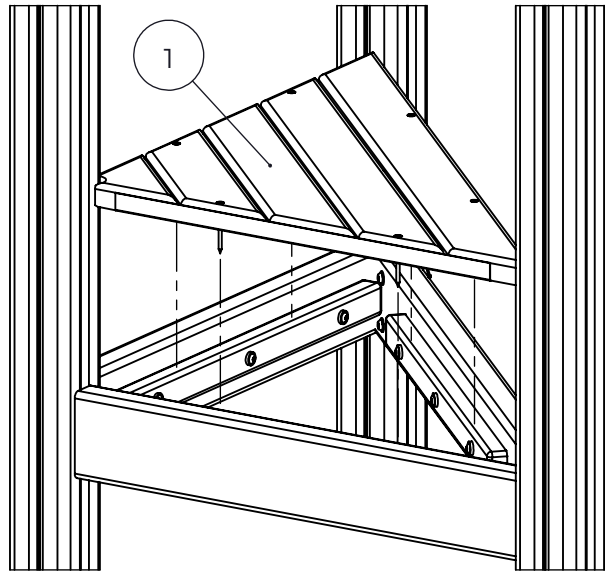
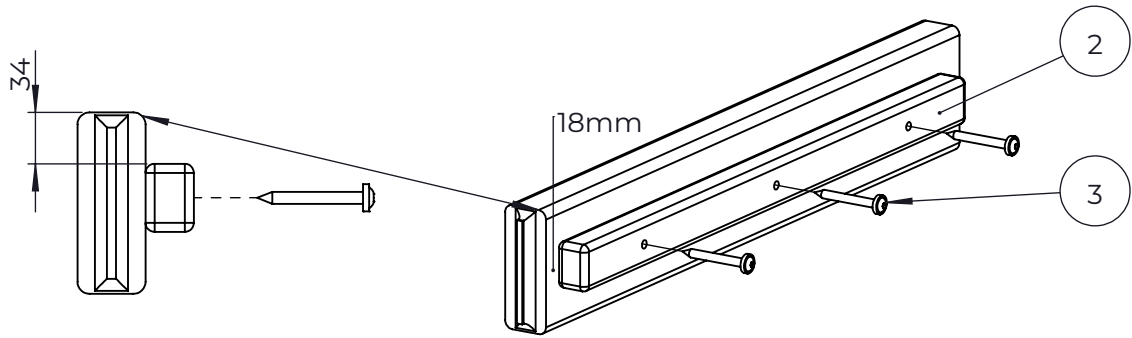


NO.	ITEM CODE			QTY.
1	980123	SPECIAL SCREW	Ø7x60	4
2	980128	SPECIAL SCREW	Ø7x40	2
3	711304	TRAPEZ	-	1

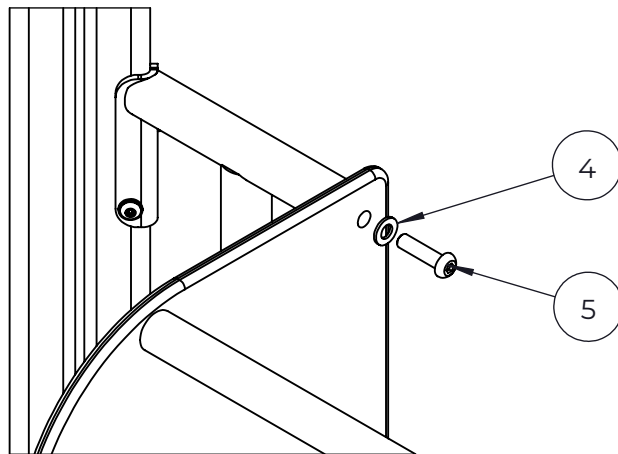
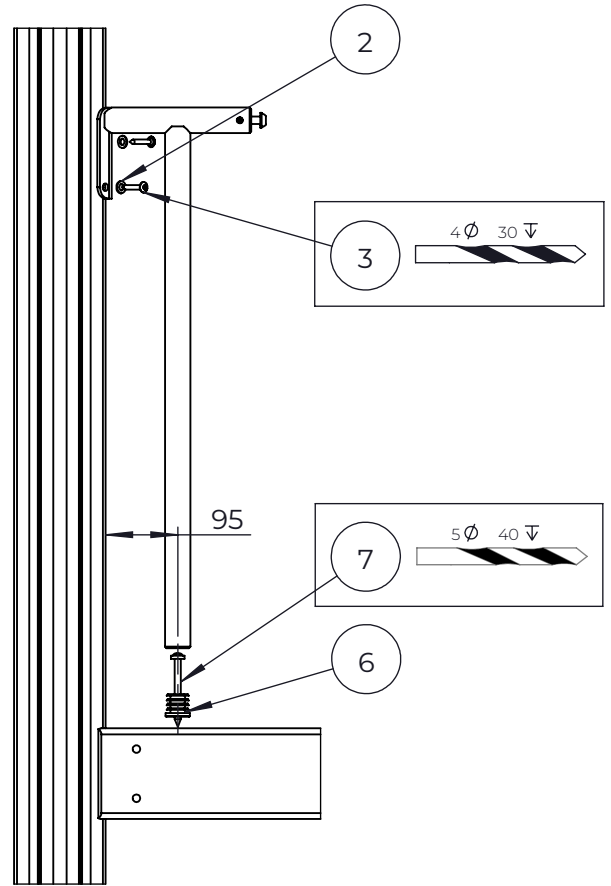
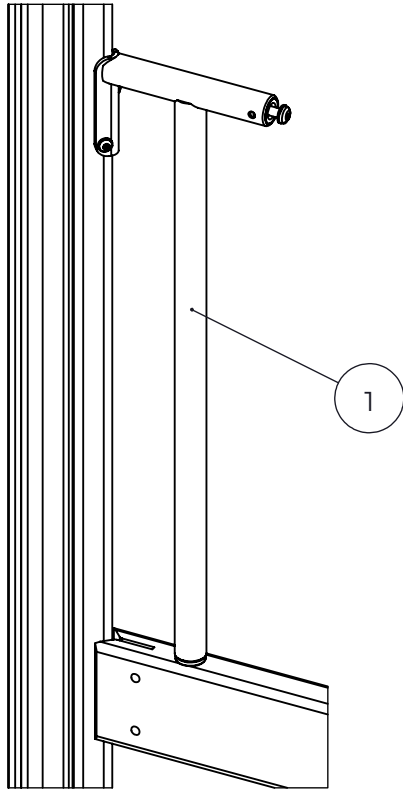


NO.	ITEM CODE			QTY.
1	909519	FOUNDATION PLATE	380 x 380 x 45	1
2	909639	BOLT	M10x25	4
3	909638	WASHER	Ø20 / 10.5	8
4	909637	NUT	M10	4
5	905104	OUTSIDE PLUG	M10	4
6	909511	FOUNDATION TUBE	90x90x650	1

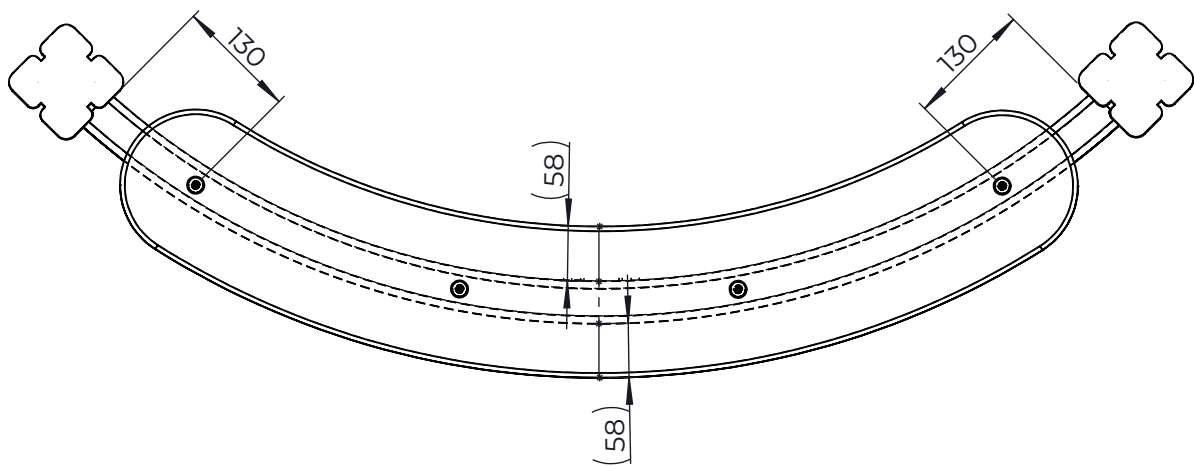
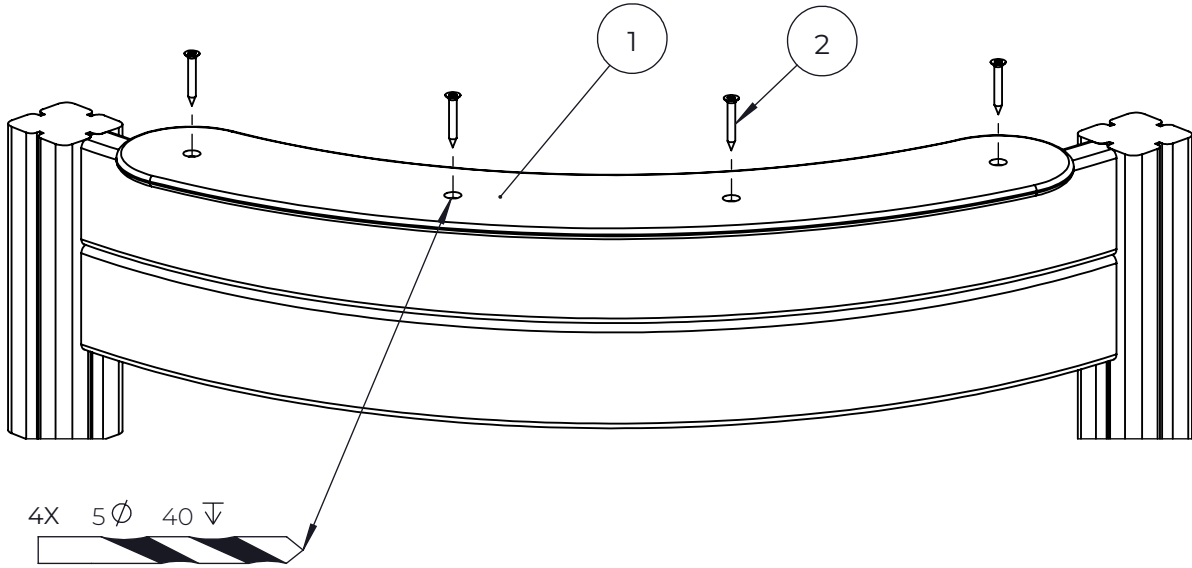




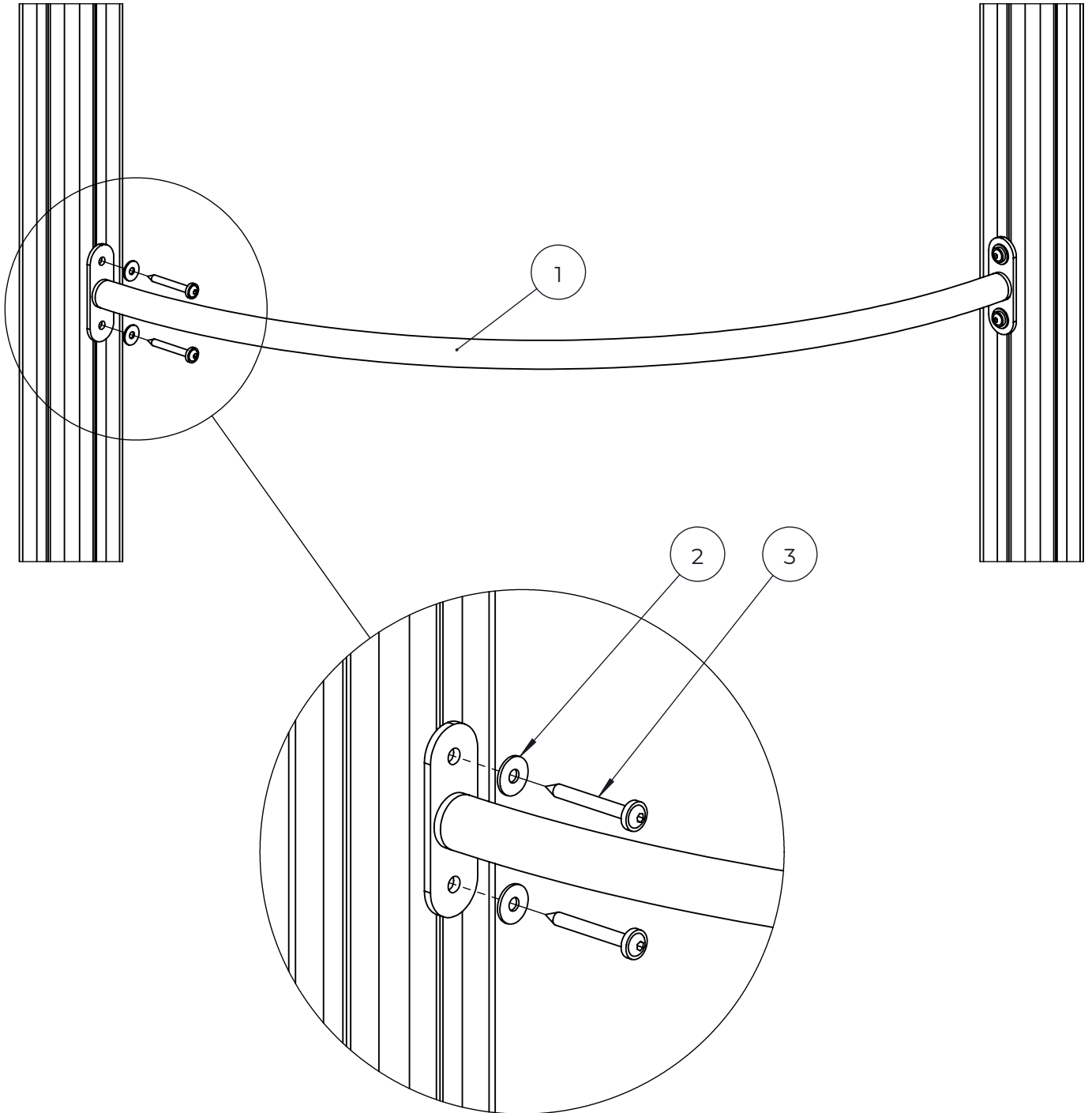
NO.	ITEM CODE			QTY.
1	712956-001	FLOOR ELEMENT	32x714x714	1
2	706508-001	STRIP	32x45x650	3
3	900240	SPECIAL SCREW	Ø8x70	9
4	980101	SCREW	Ø4.5x70	6



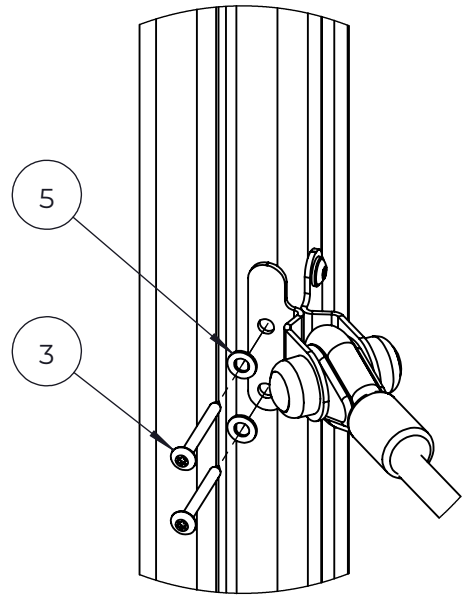
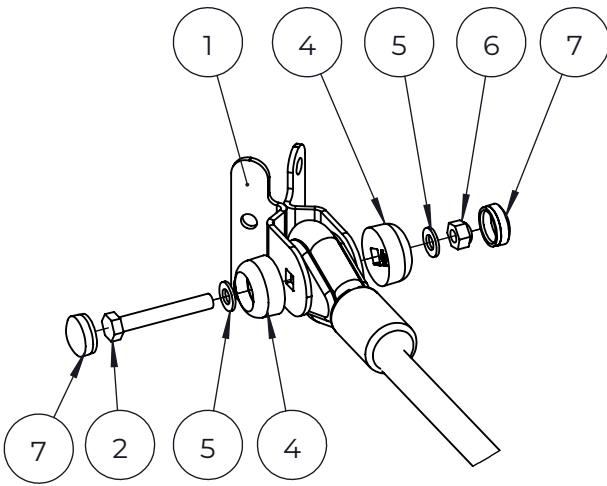
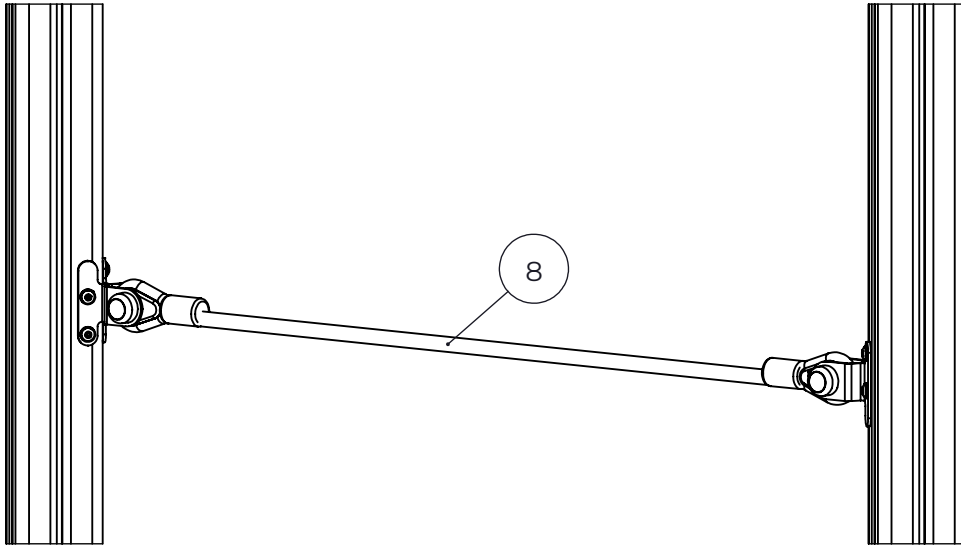
NO.	ITEM CODE			QTY.
1	914400	ADAPTER ELEMENT		1
2	909256	WASHER	Ø16/8.4x1.6	2
3	980128	SPECIAL SCREW	Ø7x40	2
4	901302	WASHER	Ø20/10.5x2	1
5	907727	ALLEN SCREW	M10x40	1
6	908057	CONNECTOR	Ø32/29-L5/30	1
7	903093	SPECIAL SCREW	Ø8x90	1



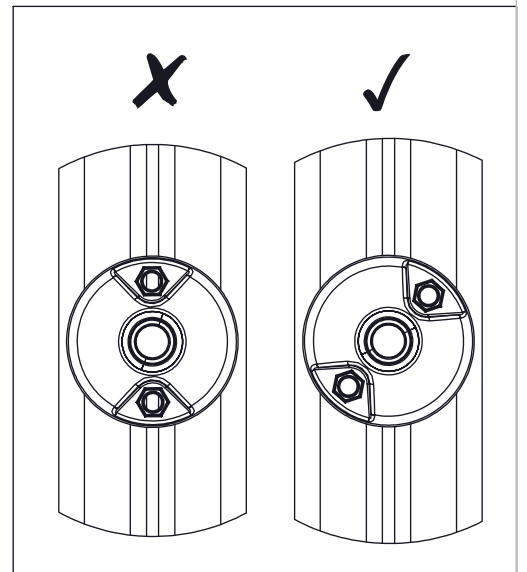
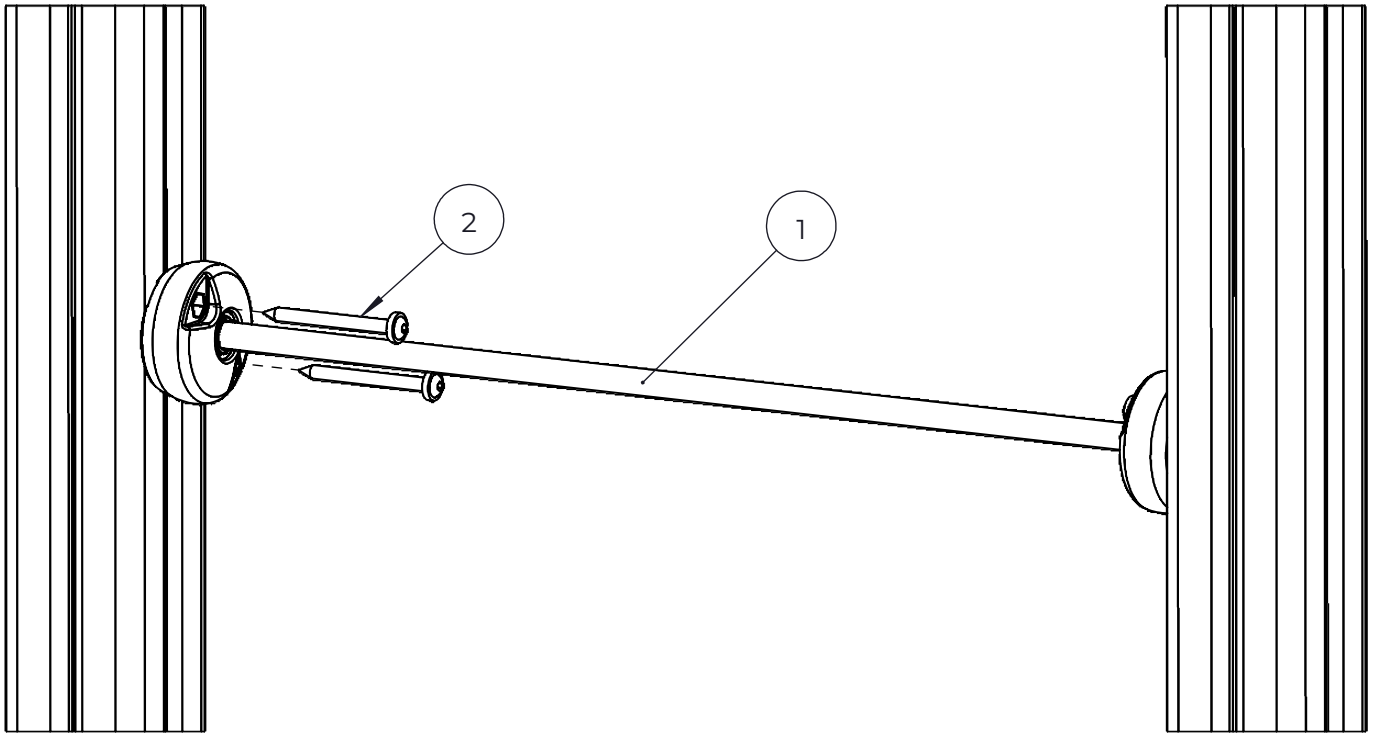
NO.	ITEM CODE			QTY.
1	711801	PLATE	12x283x1013	1
2	906630	SCREW	Ø8x60	4



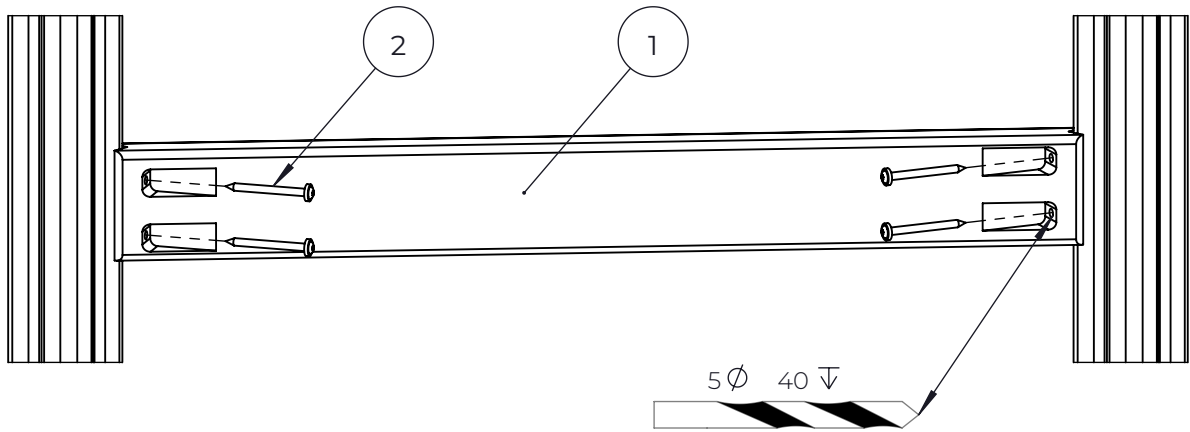
NO.	ITEM CODE			QTY.
1	914298	CURVED BAR		1
2	980152	WASHER	Ø24/8.4x2	4
3	900240	SPECIAL SCREW	Ø8x70	4



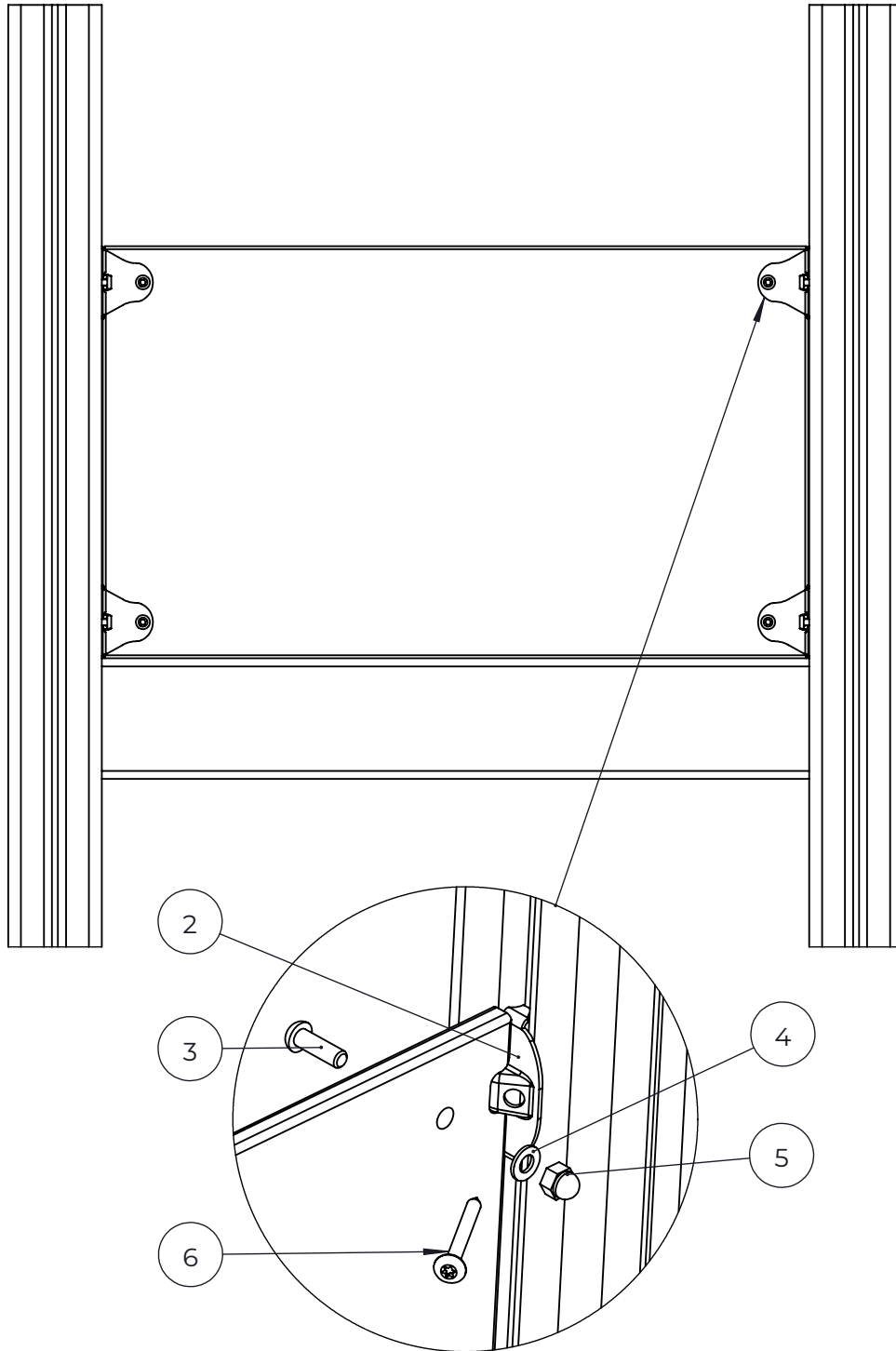
NO.	ITEM CODE			QTY.
1	915271	FLANGE	3x	4
2	909568	BOLT	M8x55	2
3	980123	SPECIAL SCREW	Ø7x60	8
4	905083	PLASTIC WASHER	Ø32	4
5	909256	WASHER	Ø16/8.4x1.6	12
6	980160	NUT	M8	2
7	905112	PLASTIC CAP	Ø22	4
8	712955	ROPE ELEMENT	L 926	1



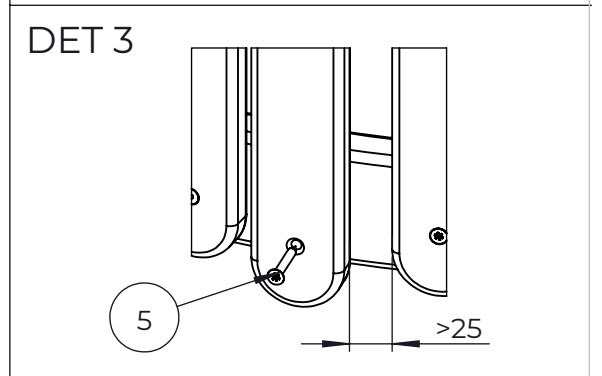
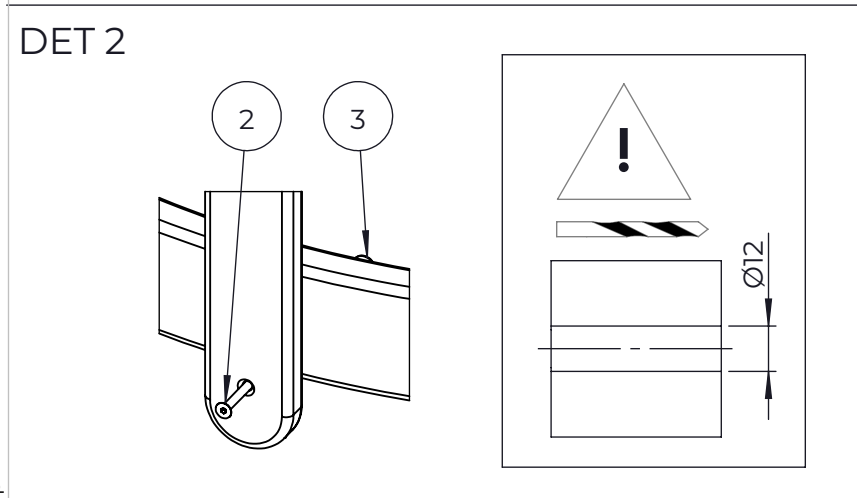
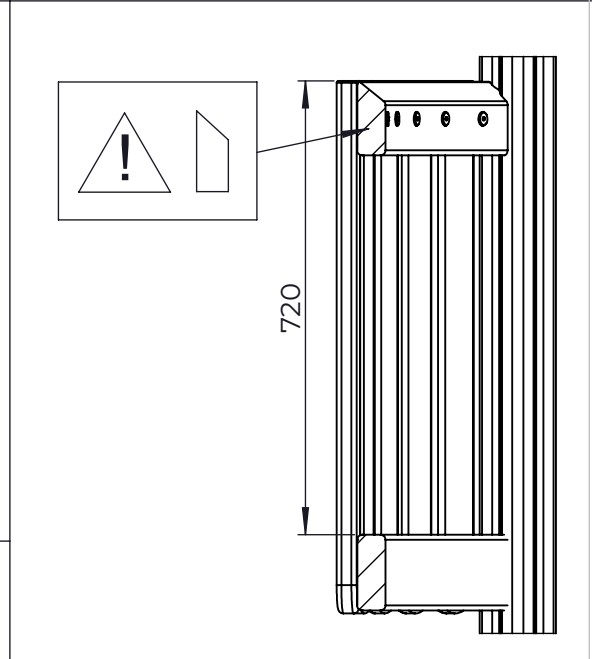
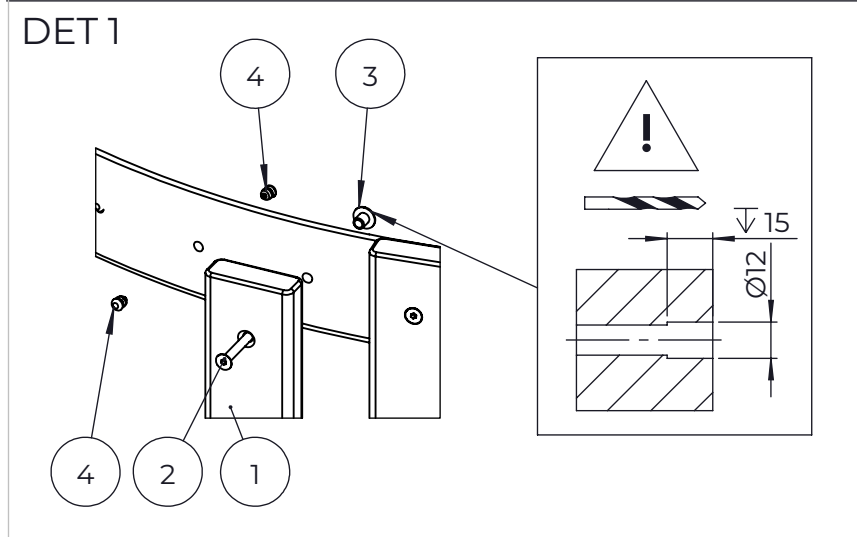
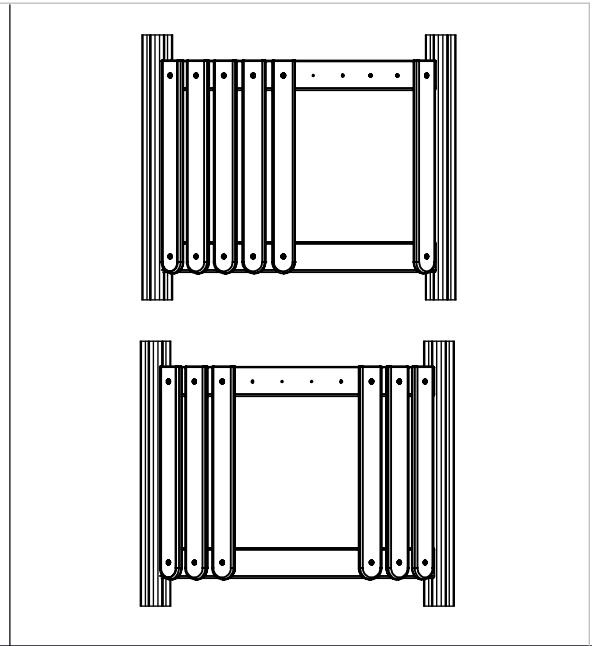
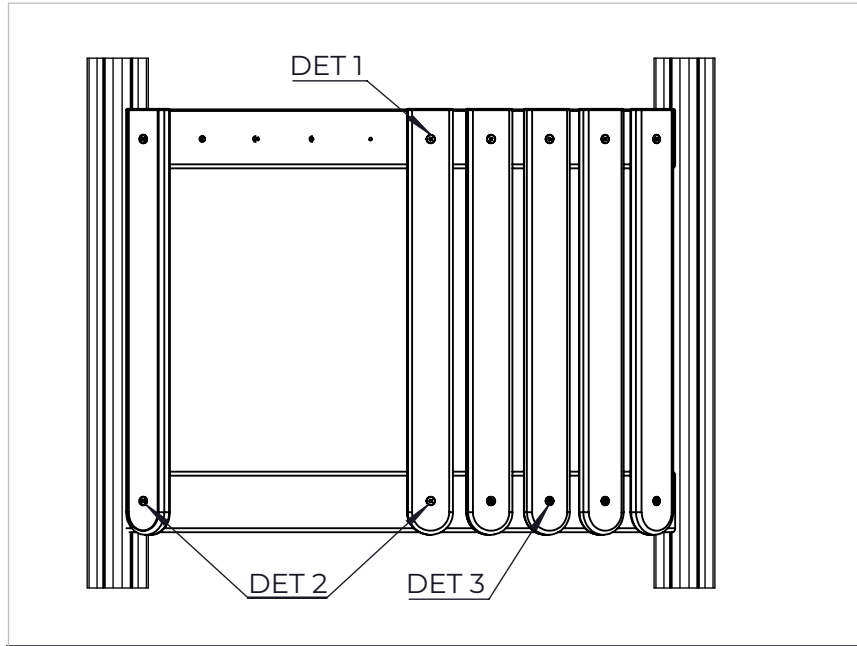
NO.	ITEM CODE			QTY.
1	709649	ROPE FENCE	Ø16x705	1
2	903093	SPECIAL SCREW	Ø8x90	4



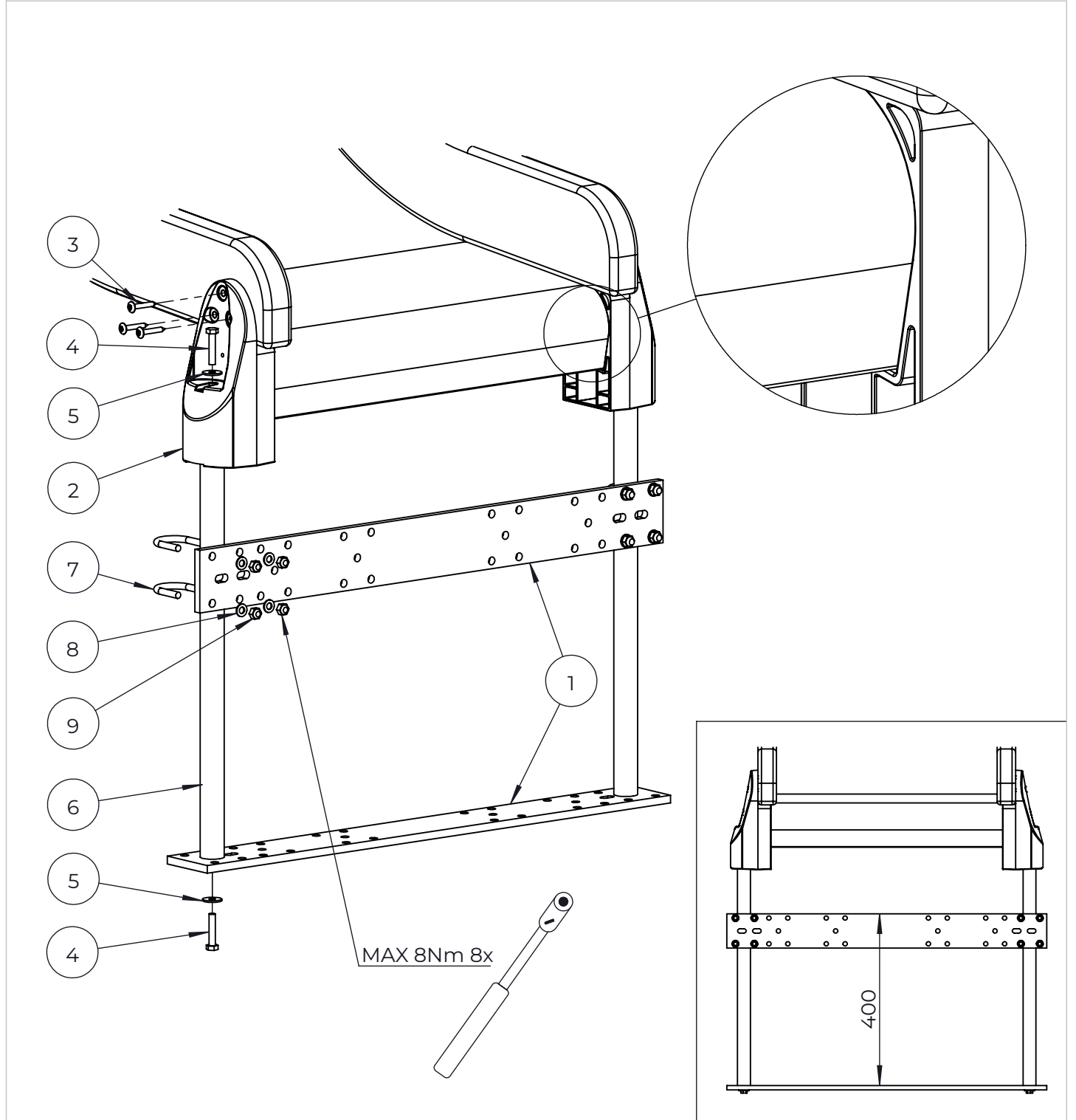
NO.	ITEM CODE			QTY.
1	713149	BOOM	80M DIAGONAL	1
2	903093	SPECIAL SCREW	Ø8x90	4



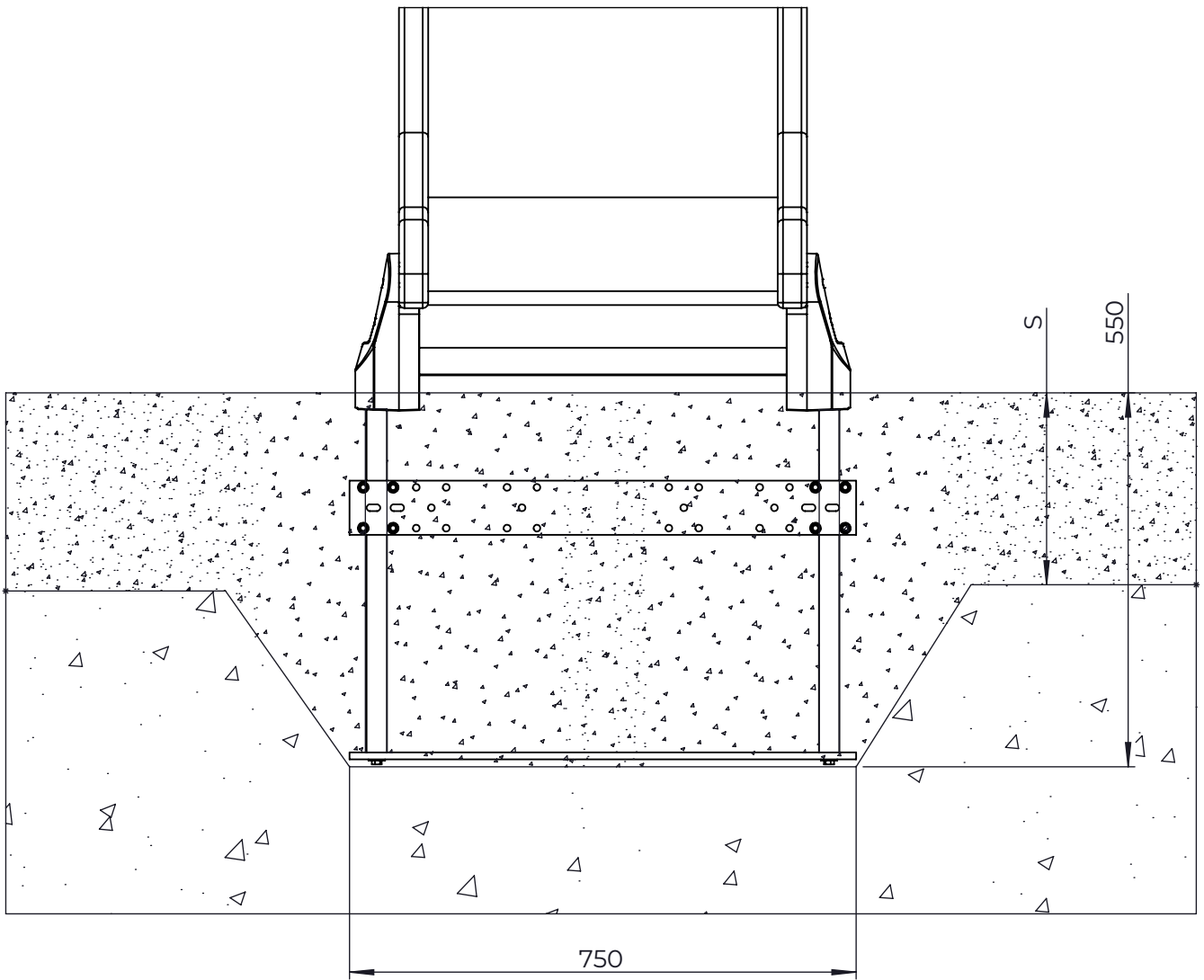
NO.	ITEM CODE			QTY.
2	903176	CLAMP		4
3	909850	ALLEN SCREW	M8x25	4
4	909256	WASHER	Ø16/8.4x1.6	4
5	909633	NUT	M8	4
6	980123	SPECIAL SCREW	Ø7x60	4

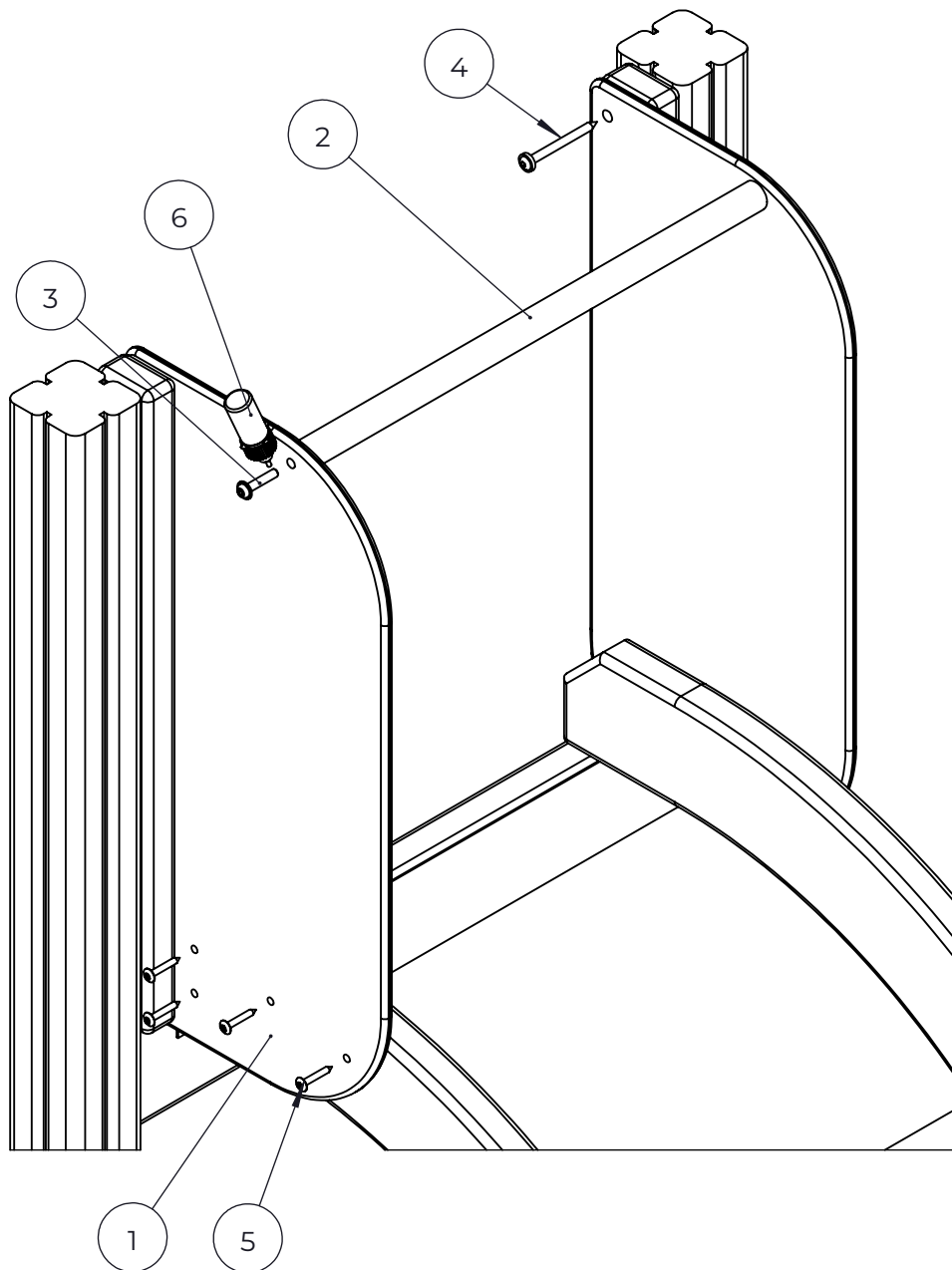


NO.	ITEM CODE			QTY.
1	710471	LATH	32x95x845	6
2	911808	COUNTERSUNK SCREW	M8x70	8
3	914858	SPECIAL NUT	M8x12	8
4	903533	PEITETULPPA	Ø9	8
5	906630	SCREW	Ø8x60	4



NO.	ITEM CODE			QTY.
1	707133	PLATE	10x80x745	2
2	901879	CLAMP		2
3	980128	SPECIAL SCREW	Ø7x40	6
4	909210	BOLT	M8x40	4
5	905051	WASHER	Ø24/8.4	4
6	901868	BAR		2
7	901115	U-BOLT		4
8	909256	WASHER	Ø16/8.4x1.6	8
9	980160	NUT	M8	8





NO.	ITEM CODE			QTY.
1	711709	PLATE	12x343x747	2
2	914171	RAIL	Ø34x598	1
3	909876	ALLEN SCREW	M8x40	2
4	903093	SPECIAL SCREW	Ø8x90	2
5	980128	SPECIAL SCREW	Ø7x40	8
6	999561	THREAD GLUE HARD	10 g	1