

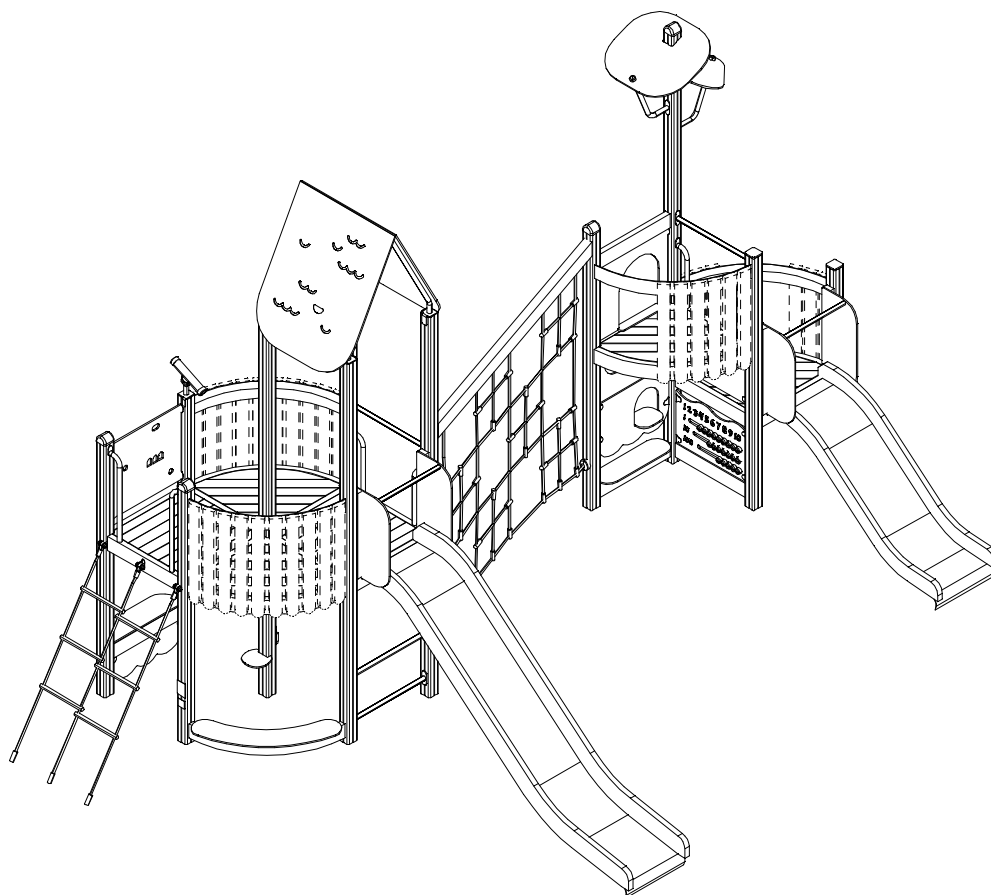
LAPPSET®










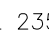

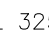

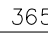
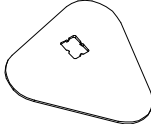



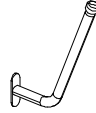

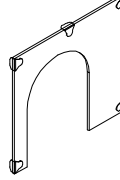
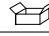
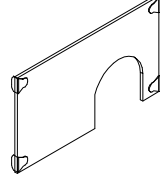

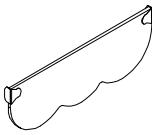



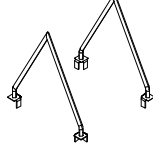

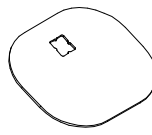

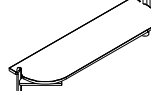

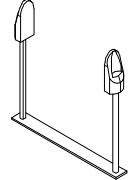

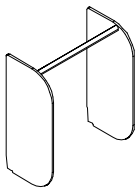



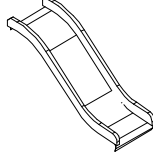

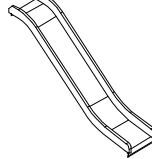
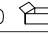
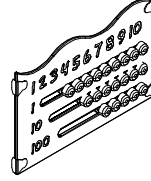

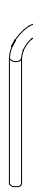

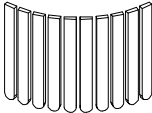

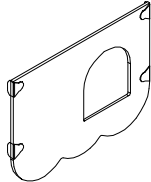

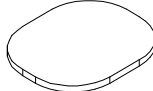





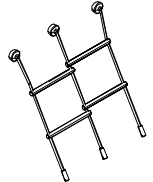

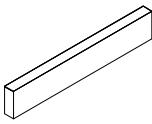
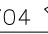




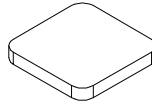

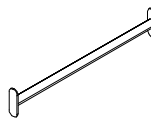
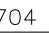
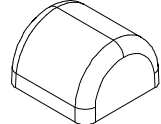



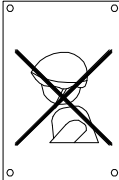



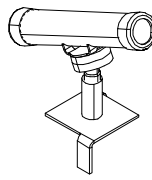

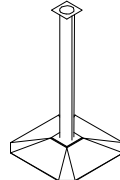

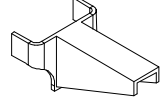

PRIME

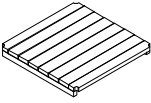
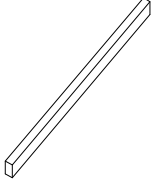
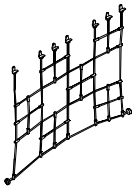
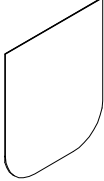







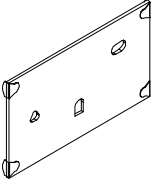
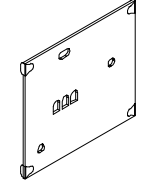
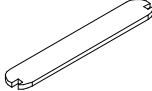
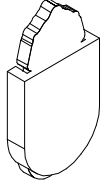
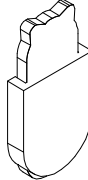
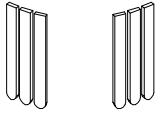





ASENNUSOHJE MONTERINGSANSVISNING INSTALLATION INSTRUCTION AUFBAUANLEITUNG NOTICE D'INSTALLATION

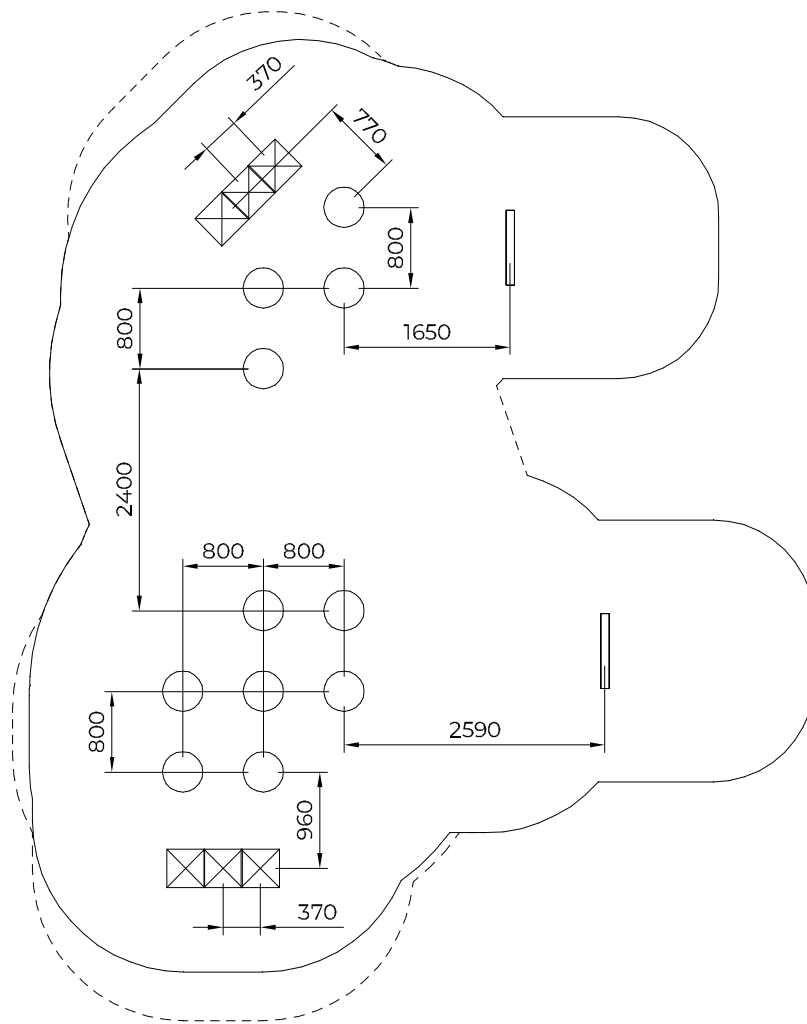
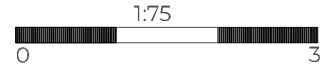
DATE: 29.1.2026

F24109M

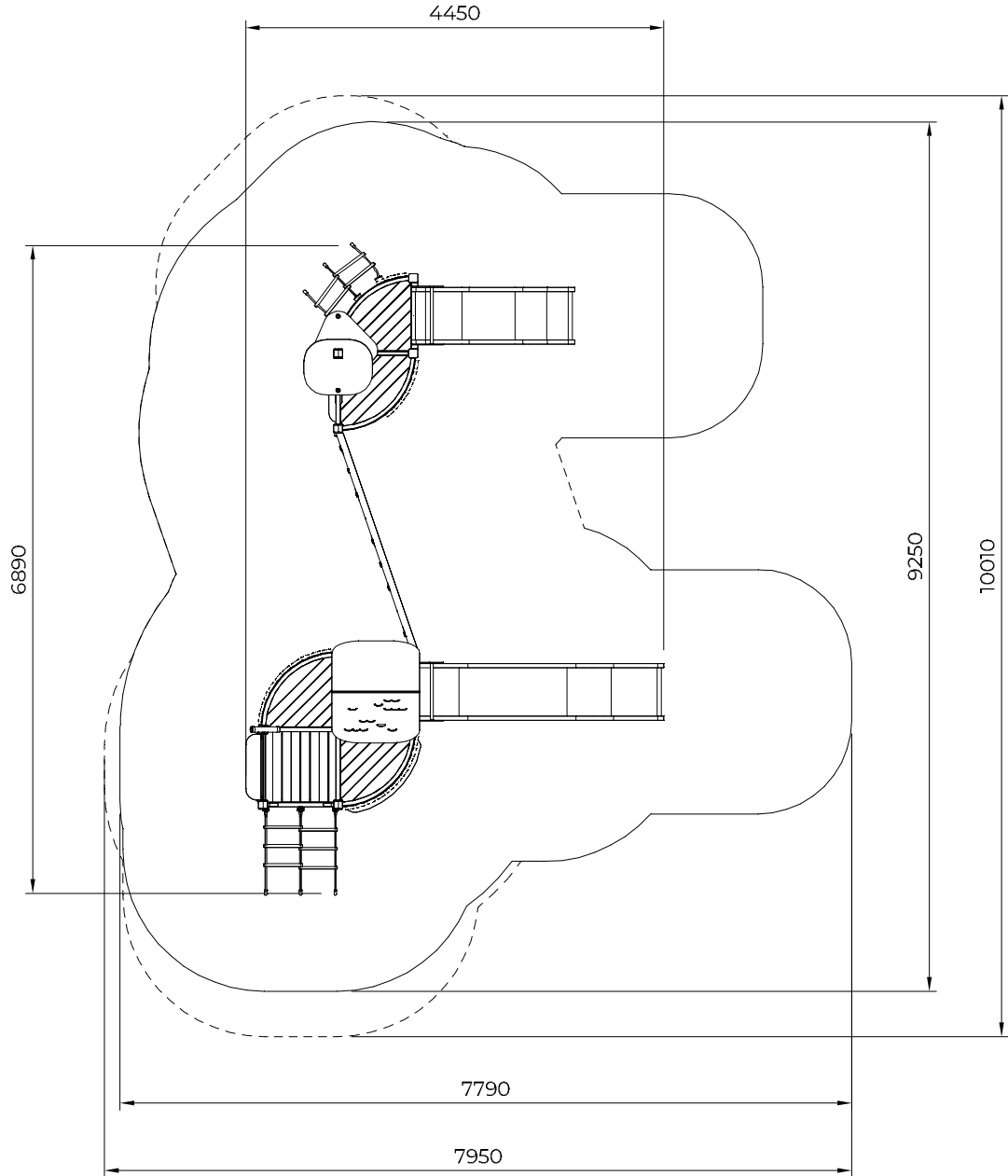
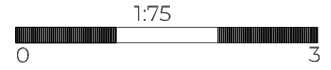


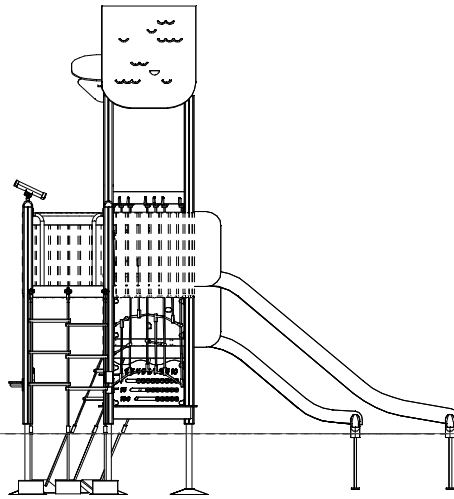
710468-001  L 704 	PCS 4	712007  L 1650 	PCS 1	712032-001  L 1650 	PCS 1	712037-001  L 2150 	PCS 4	712039-001  L 2350 	PCS 1	712048-001  L 3250 	PCS 4
712052-001  L 3650 	PCS 1	712054  	PCS 1	712219  	PCS 1	712354  	PCS 2	712397  	PCS 1	712433  	PCS 1
712434  	PCS 1	712458  	PCS 1	712460  	PCS 1	712477  	PCS 1	712488  	PCS 1	712497  	PCS 2
712499  	PCS 2	712501-001  	PCS 2	712513-001  +870 	PCS 1	712522-001  +1470 	PCS 1	712558  	PCS 1	712600  	PCS 4
712629-001  	PCS 2	712676  	PCS 1	712683  	PCS 1	712724-001  L 1096 	PCS 4	712730  	PCS 1	712743  	PCS 1
712747-001  L 704 	PCS 16	712752  	PCS 6	712754  	PCS 2	712760  	PCS 2	712780  L 704 	PCS 4	712788  	PCS 4
712797  	PCS 1	712798  	PCS 1	712819-001  	PCS 5	712871  	PCS 1	712889  L 700 	PCS 11	712910  	PCS 1

712922-001	PCS 2	712926-001	PCS 1	712929	PCS 1	712952	PCS 1	712999	PCS 1	713023	PCS 1
											
		L 2400 									
713174	PCS 1	713196	PCS 1	713201	PCS 1	713246	PCS 1	713247	PCS 1	713352-001	PCS 2
											
											
	PCS		PCS		PCS		PCS		PCS		PCS
	PCS		PCS		PCS		PCS		PCS		PCS
	PCS		PCS		PCS		PCS		PCS		PCS
	PCS		PCS		PCS		PCS		PCS		PCS



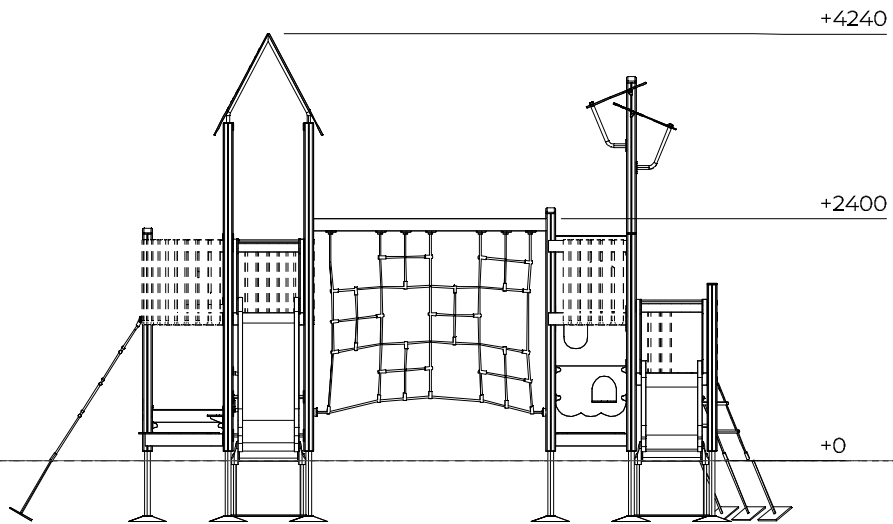
- EN/AS Impact Area 51 m²
- - - - Falling Space 54 m²
- Max Falling Height 2400 mm





FFL

FFL = Finished Floor Level



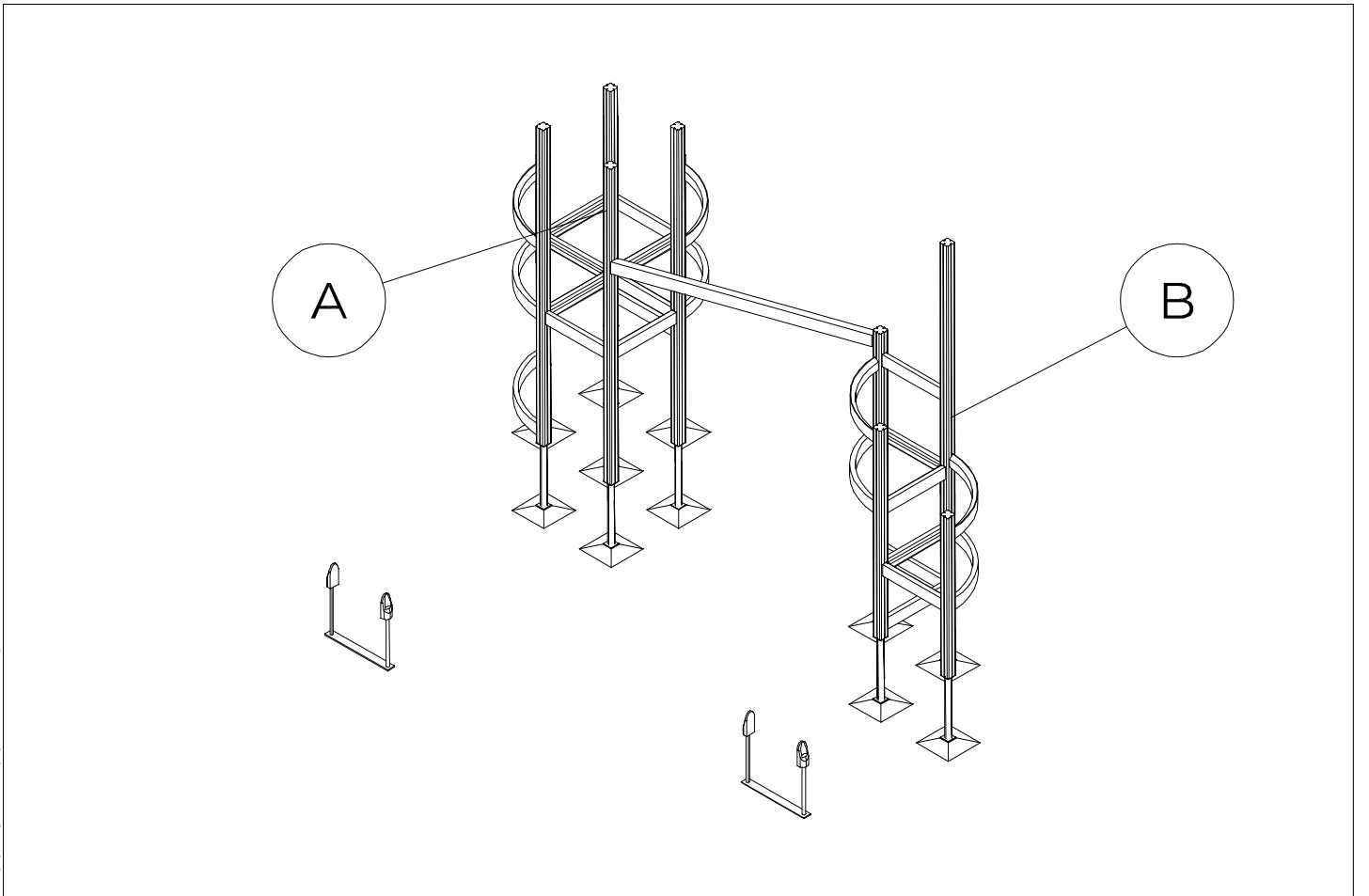
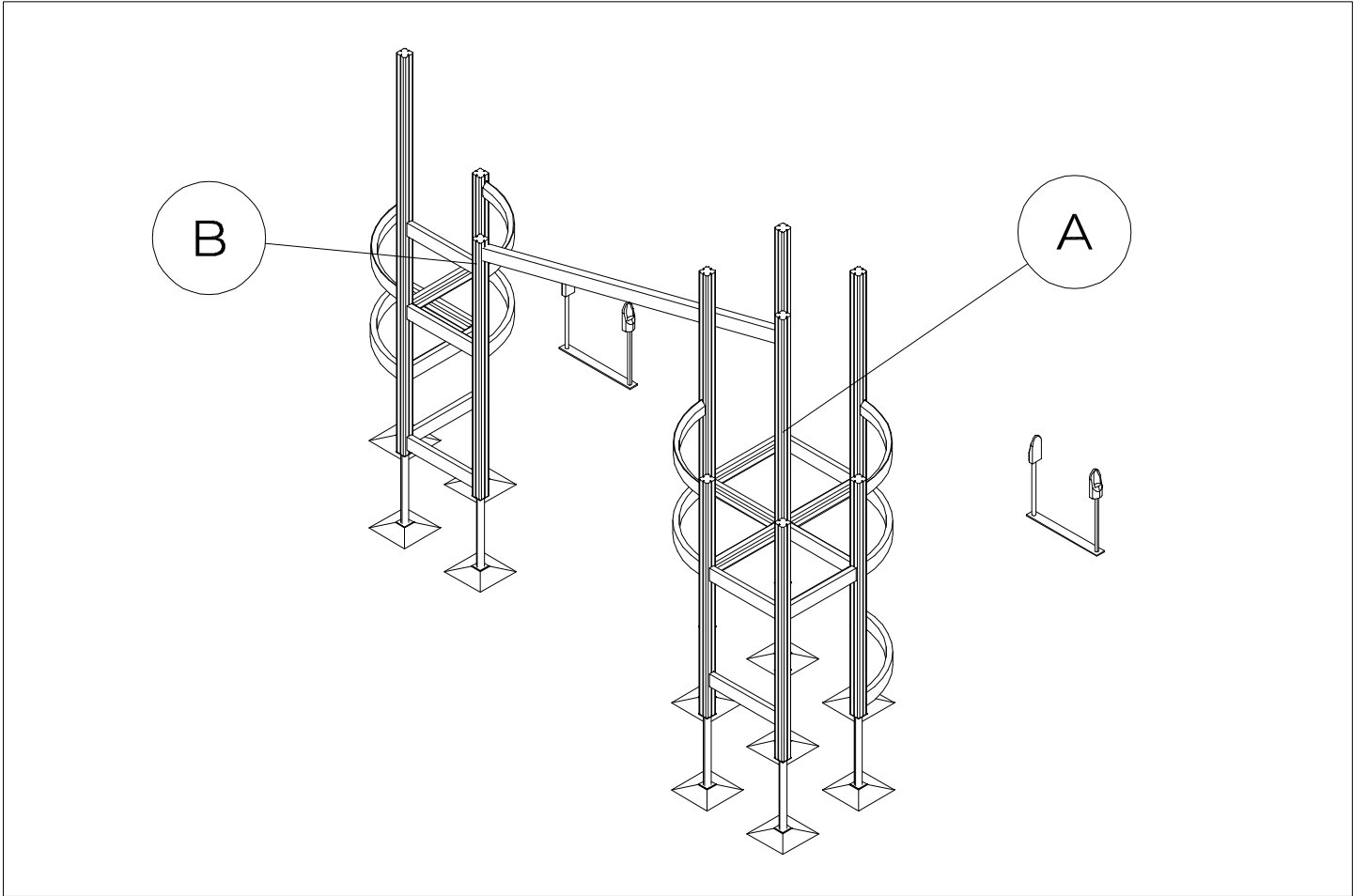
+4240

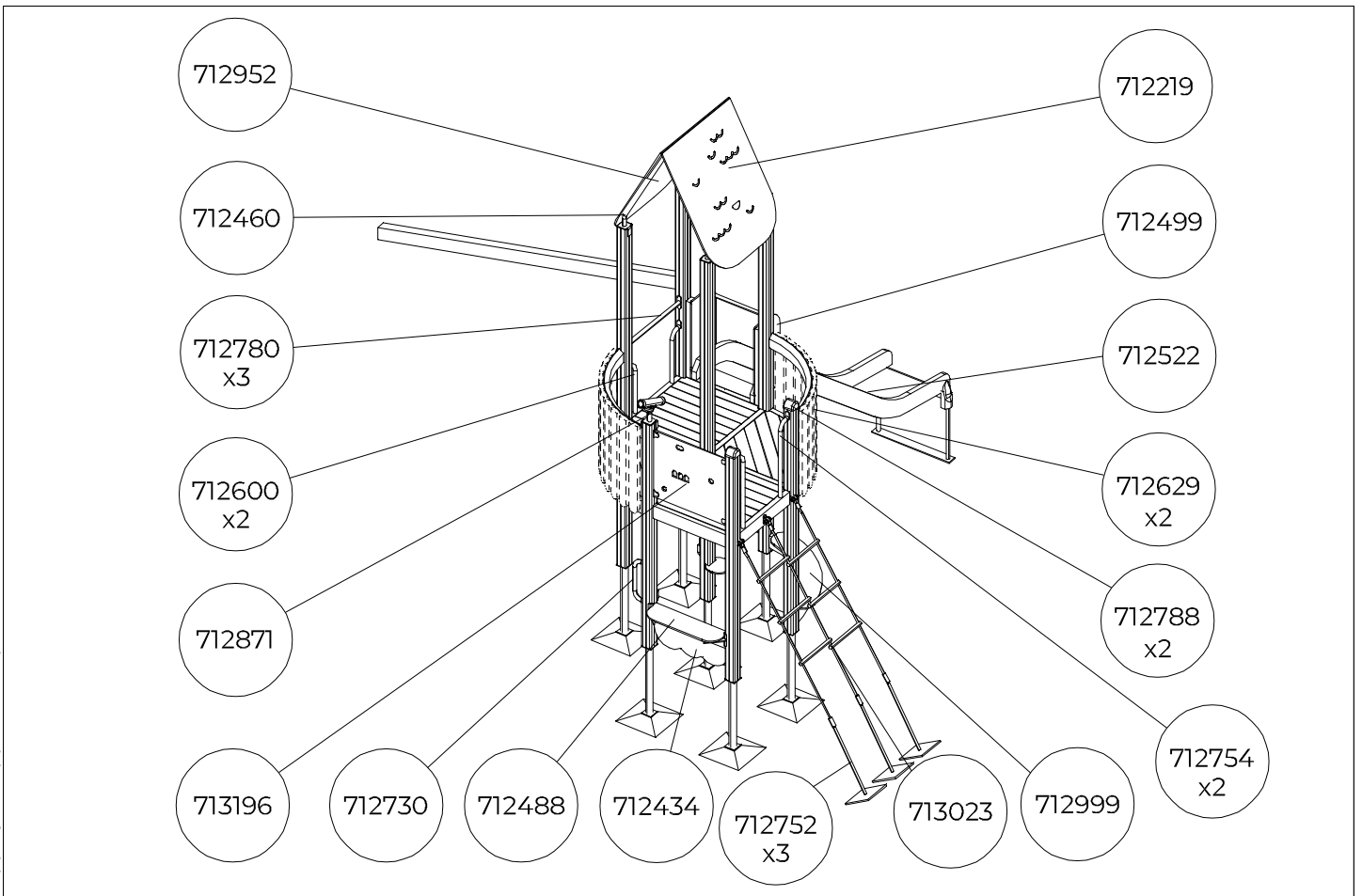
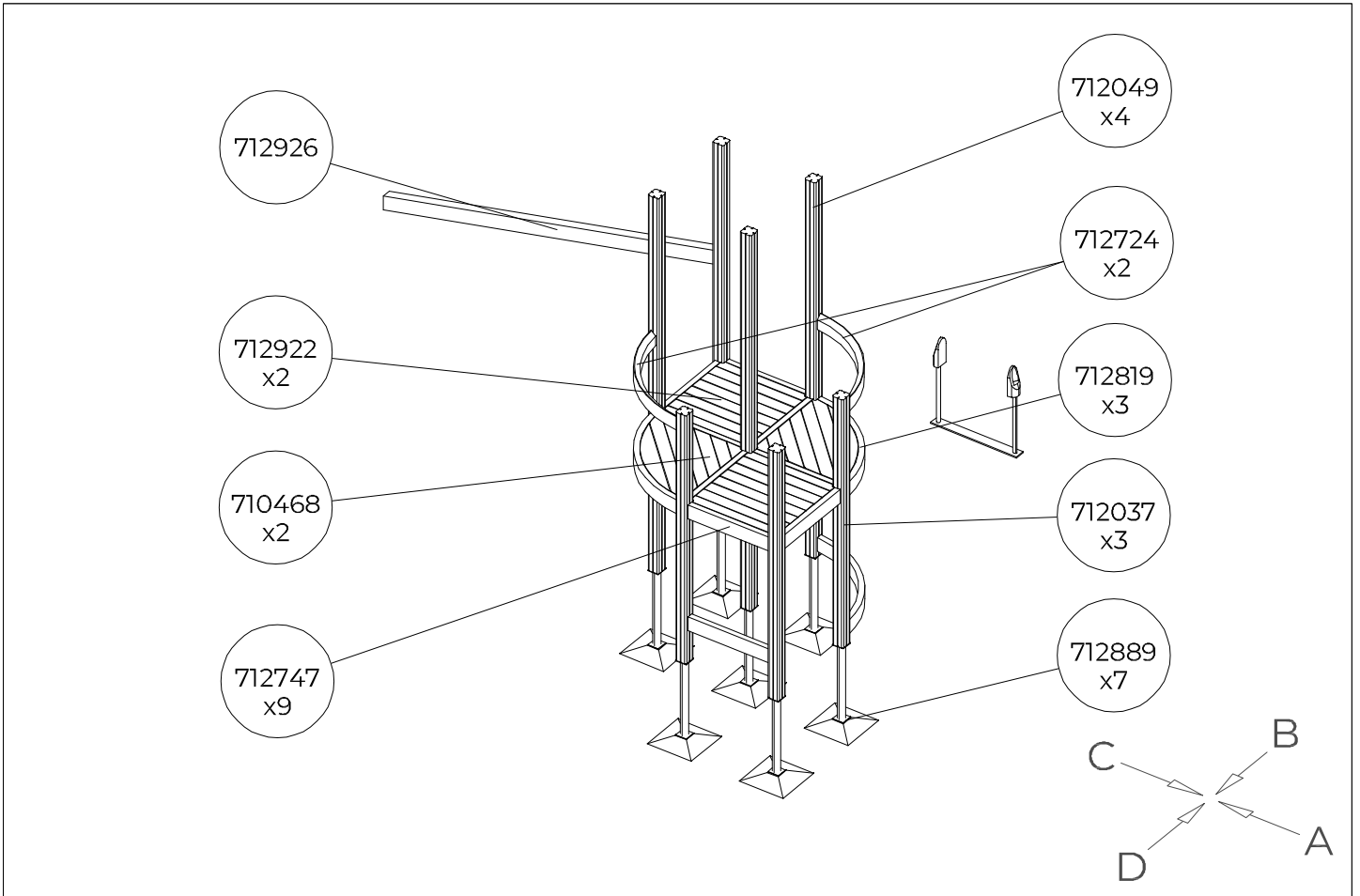
+2400

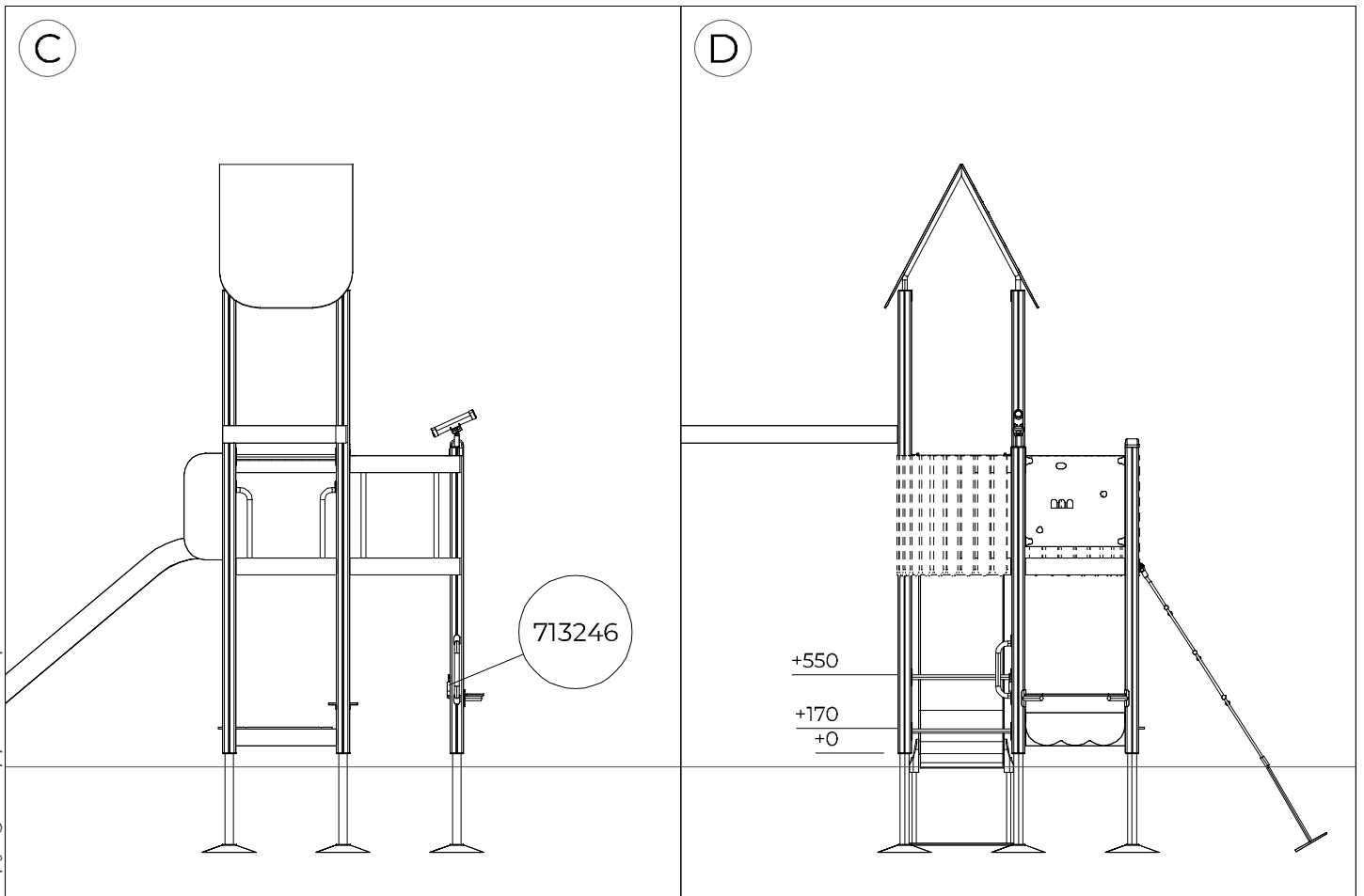
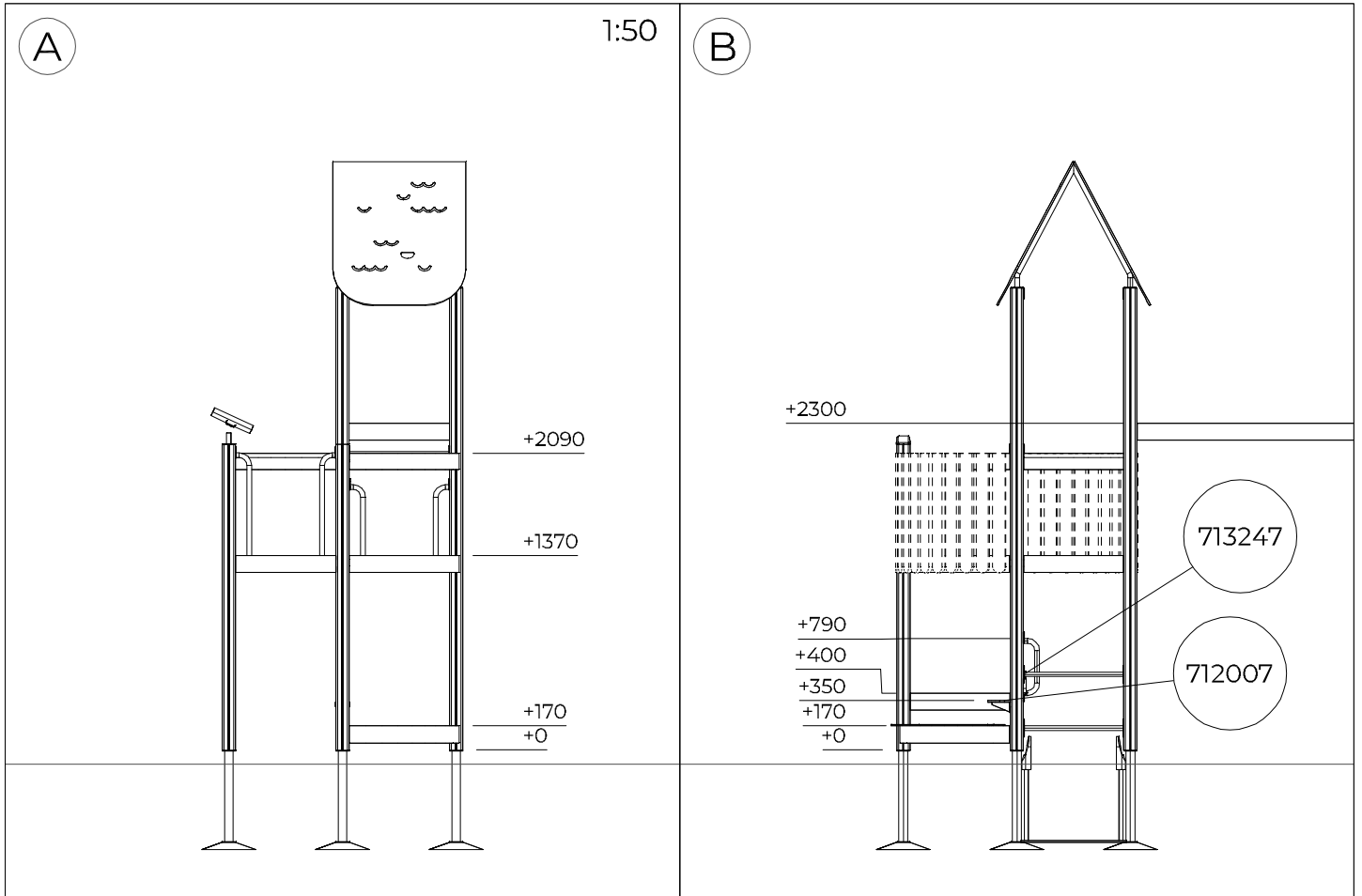
+0

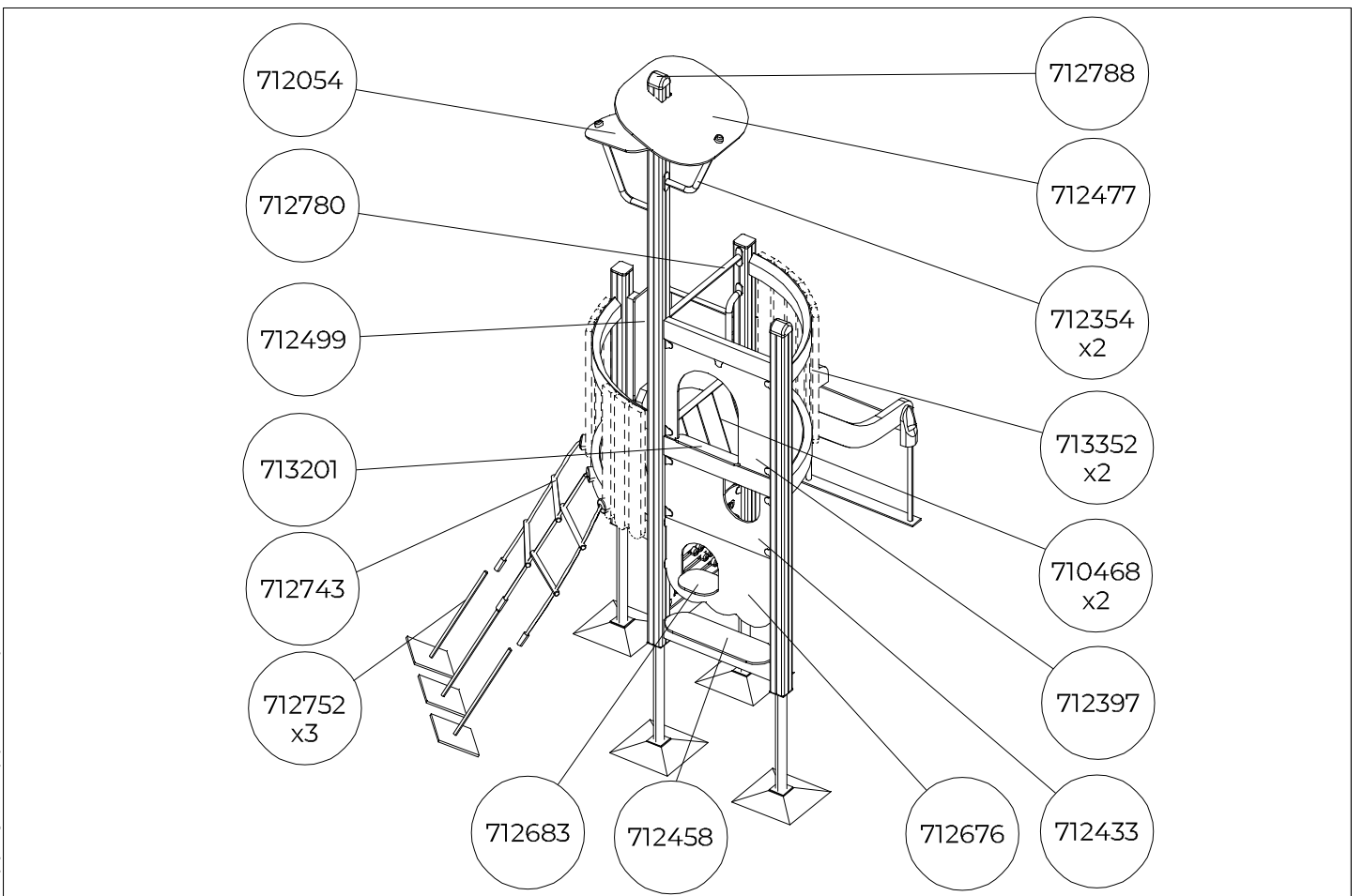
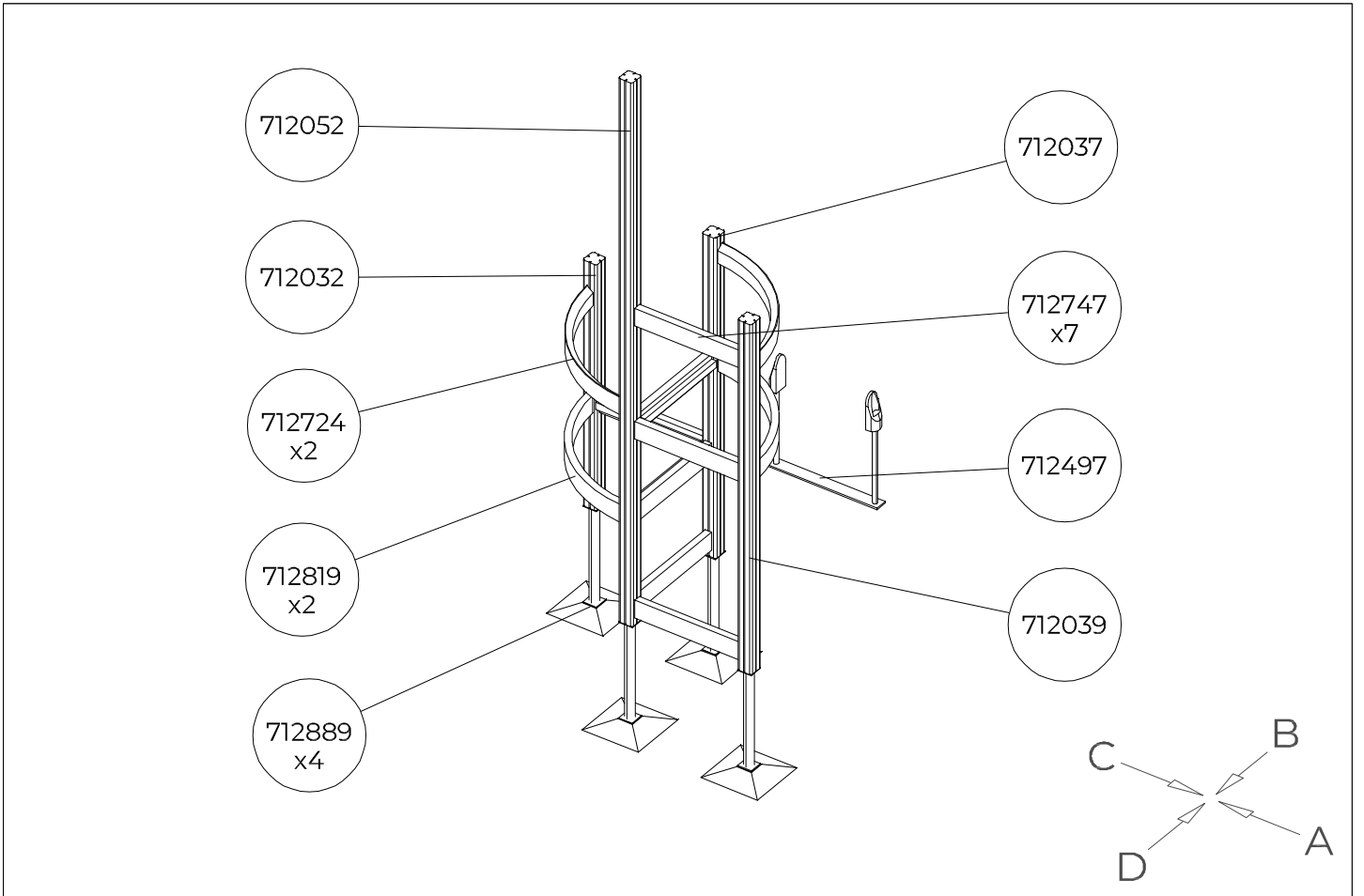
FFL

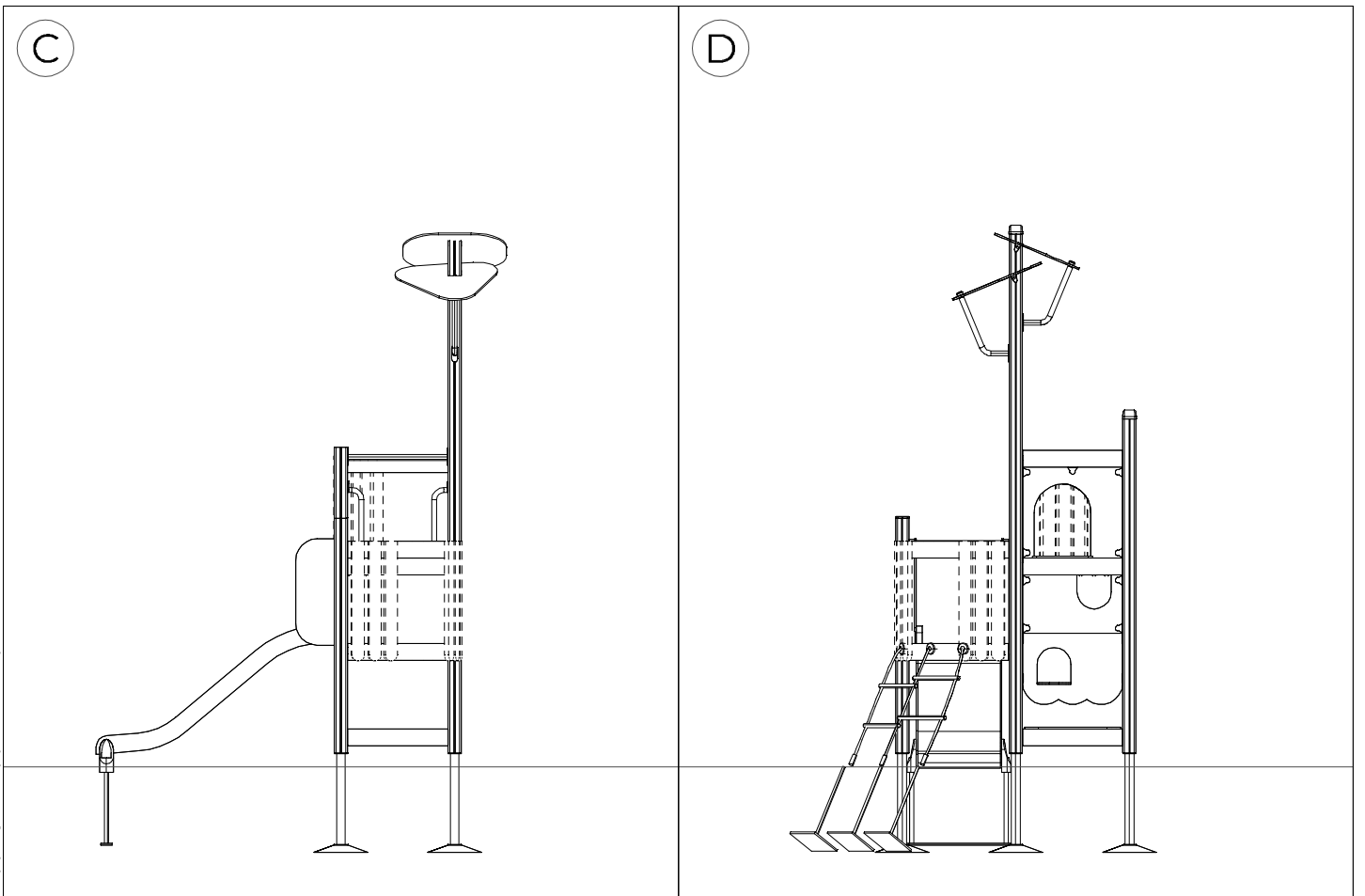
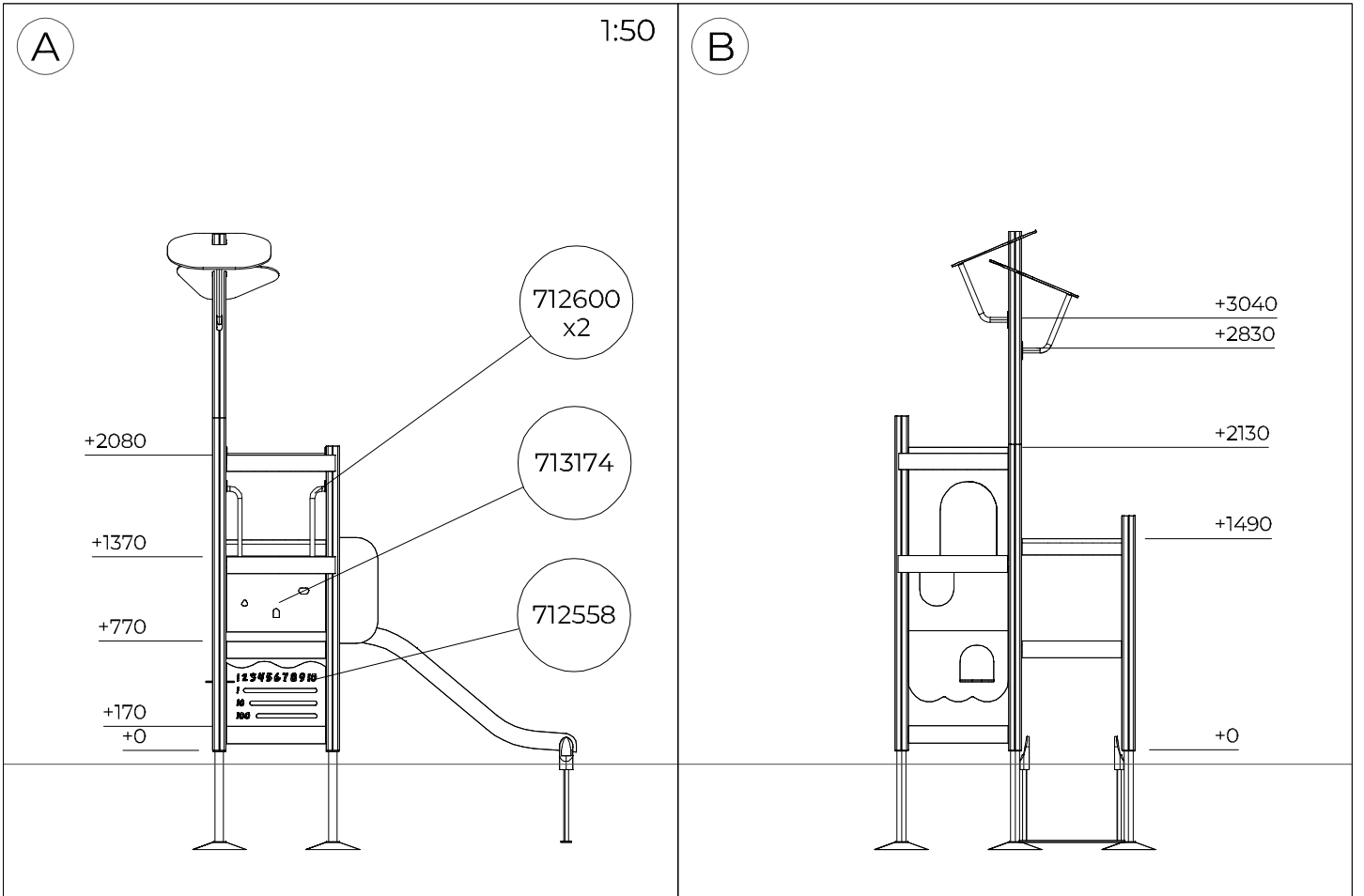
FFL = Finished Floor Level

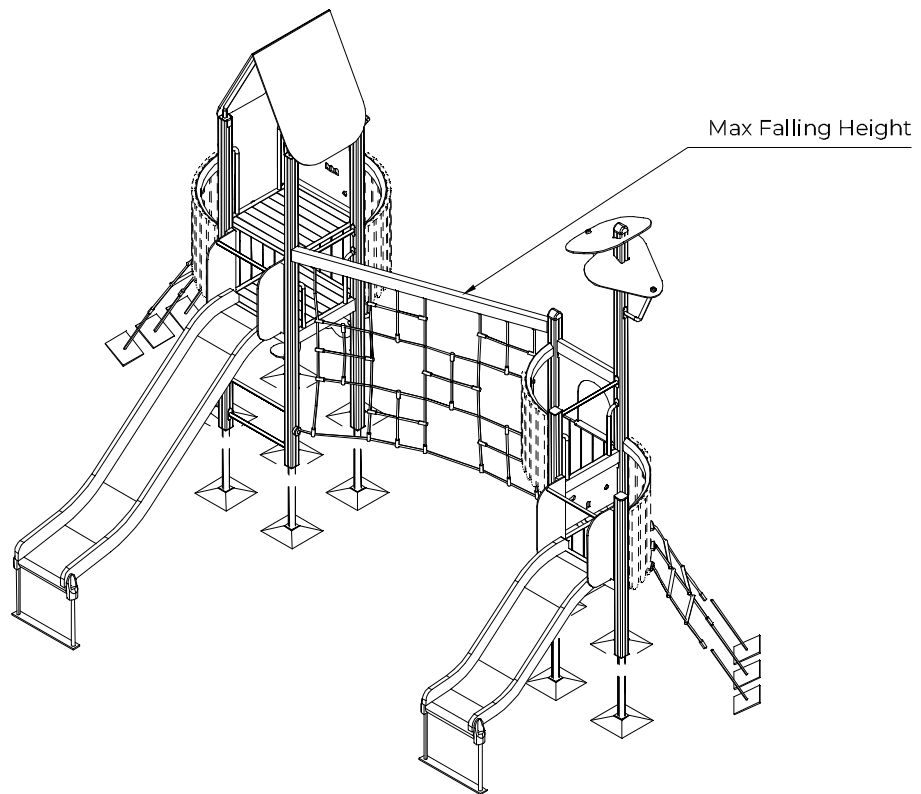
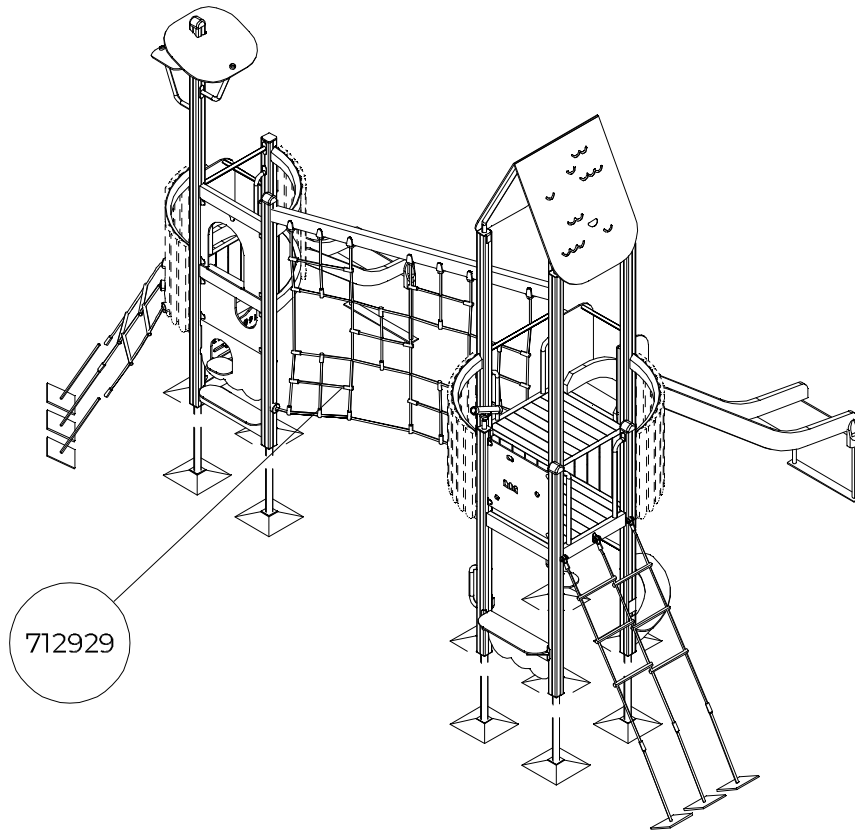


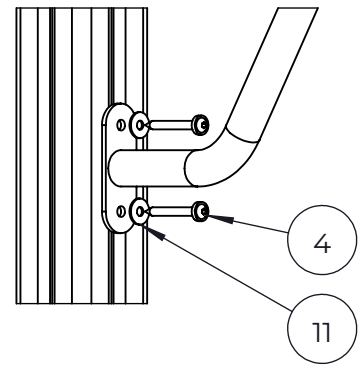
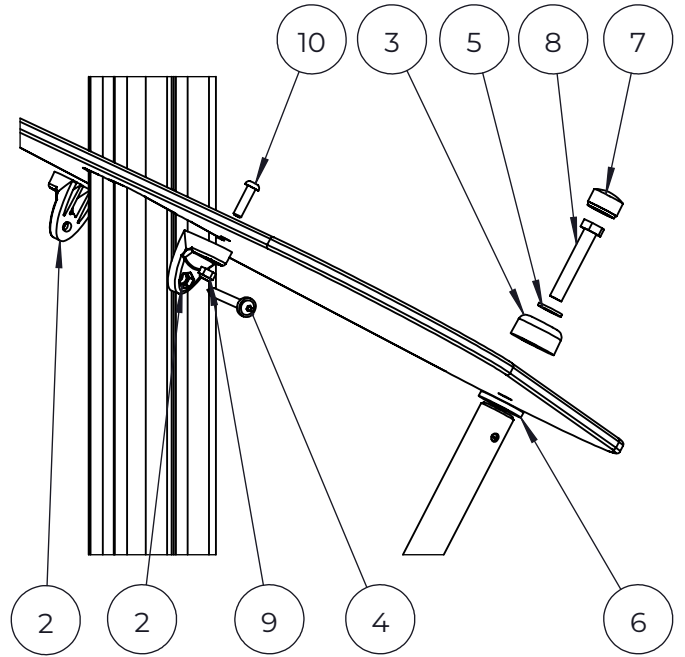
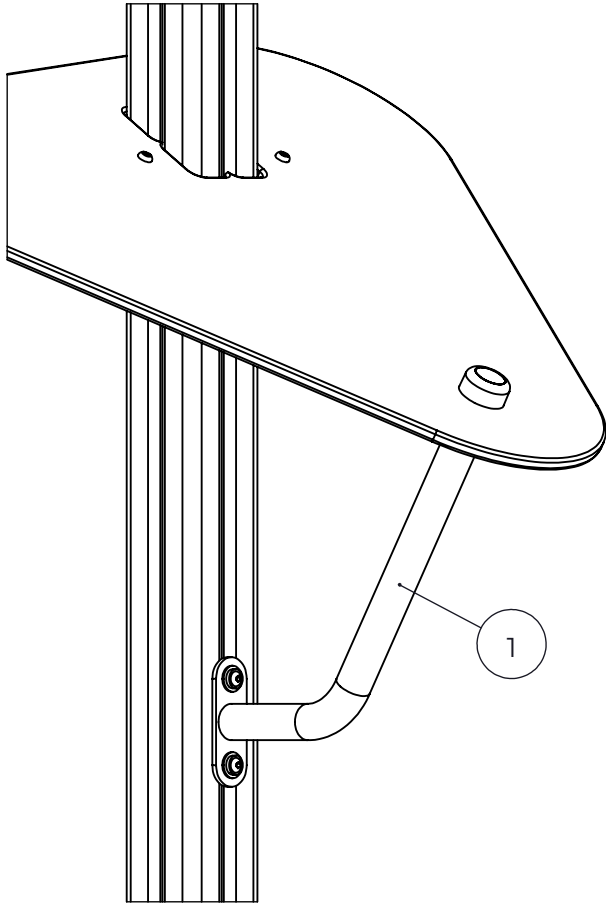




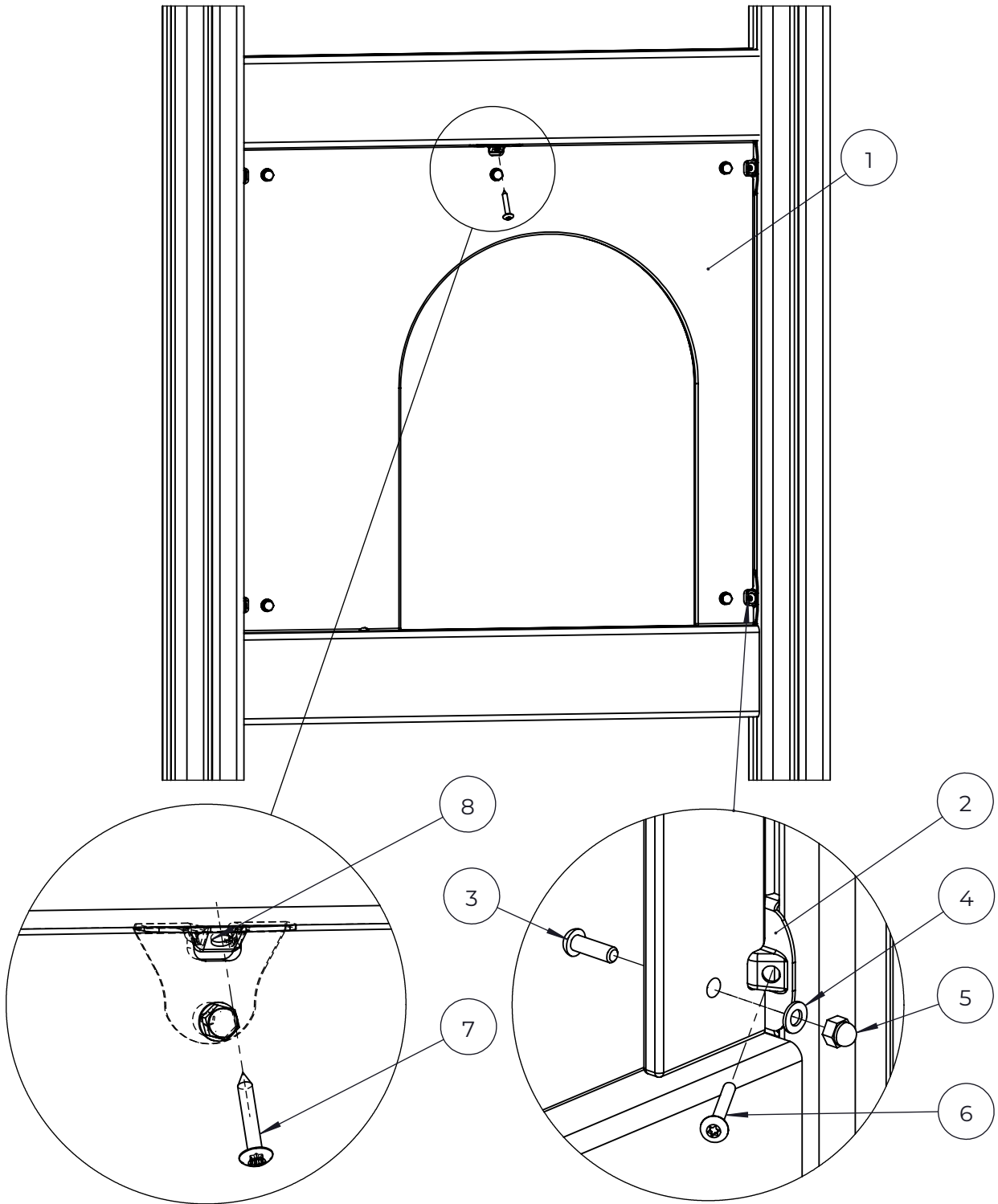




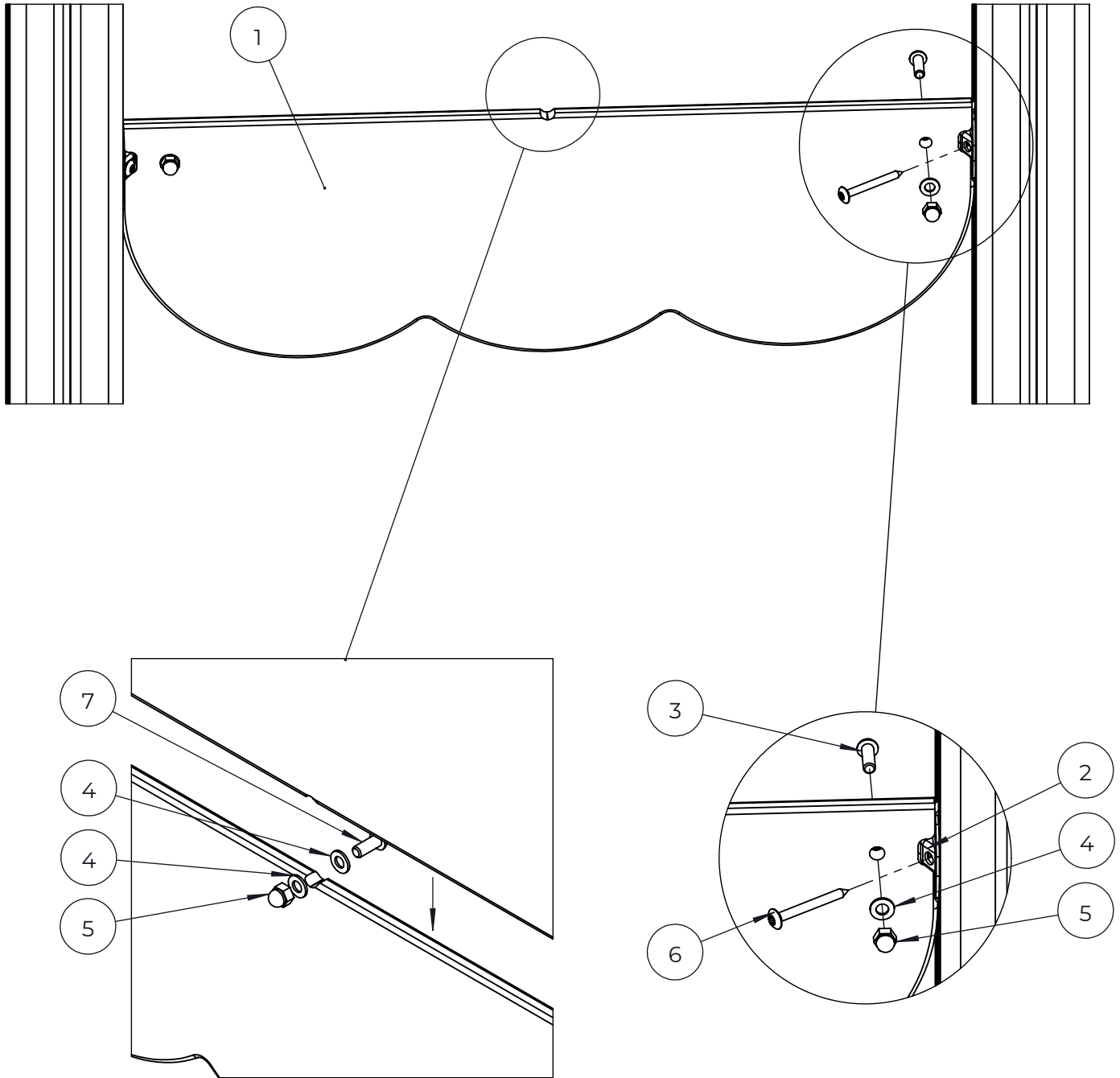




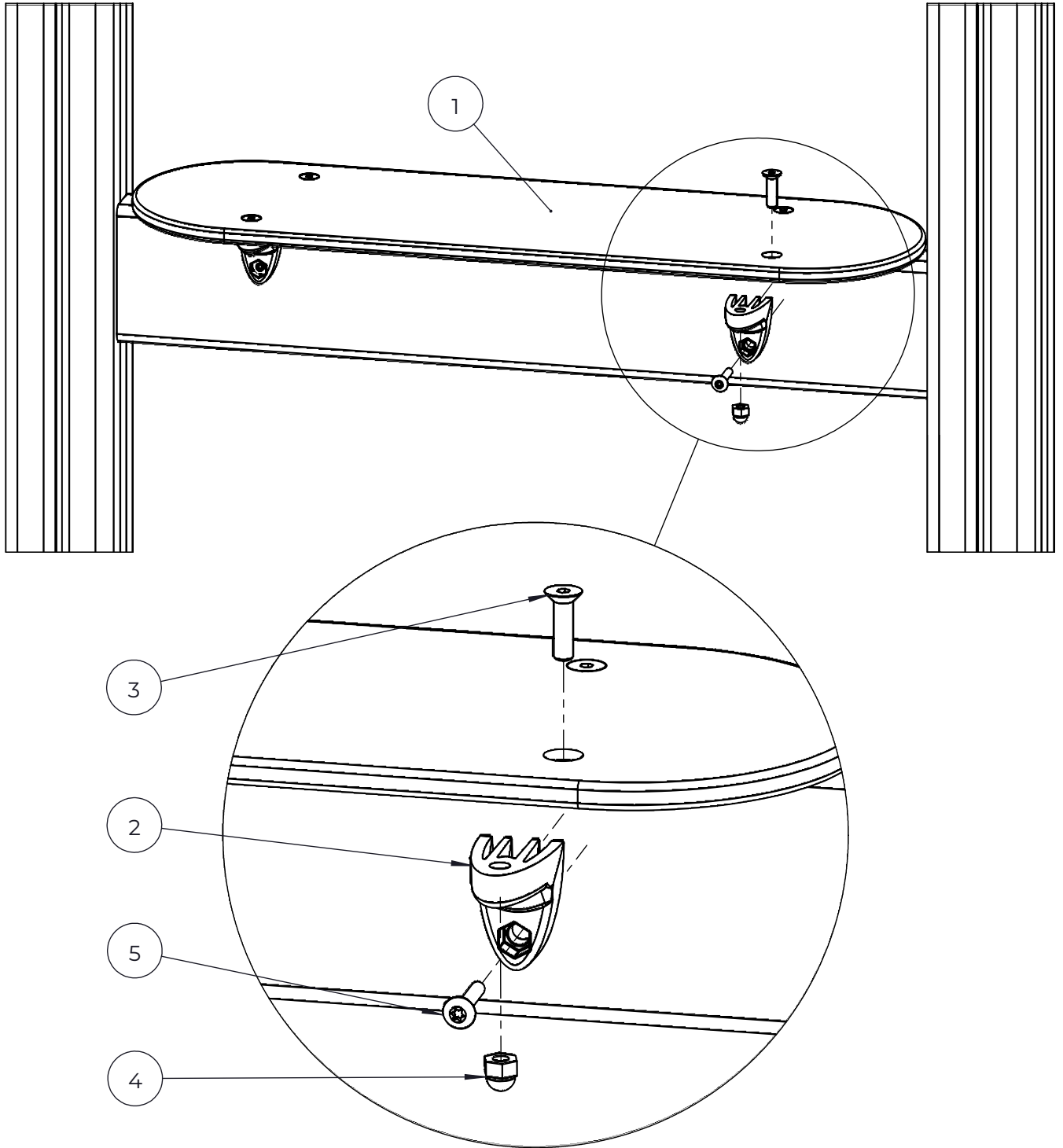
NO.	ITEM CODE			QTY.
1	914209	SUPPORT	40x351x458	1
2	901570	CLAMP	36x55x55	2
3	905090	PLASTIC WASHER	Ø45	1
4	900240	SPECIAL SCREW	Ø8x70	4
5	980154	WASHER	M12 13 / 24	1
6	905086	WASHER	Ø44/13.5 x 3,9	1
7	905115	PLASTIC CAP	Ø30	1
8	909142	BOLT	M12x70	1
9	980160	NUT	M8	2
10	909852	ALLEN SCREW	M8x30	2
11	909256	WASHER	Ø16/8.4x1.6	2



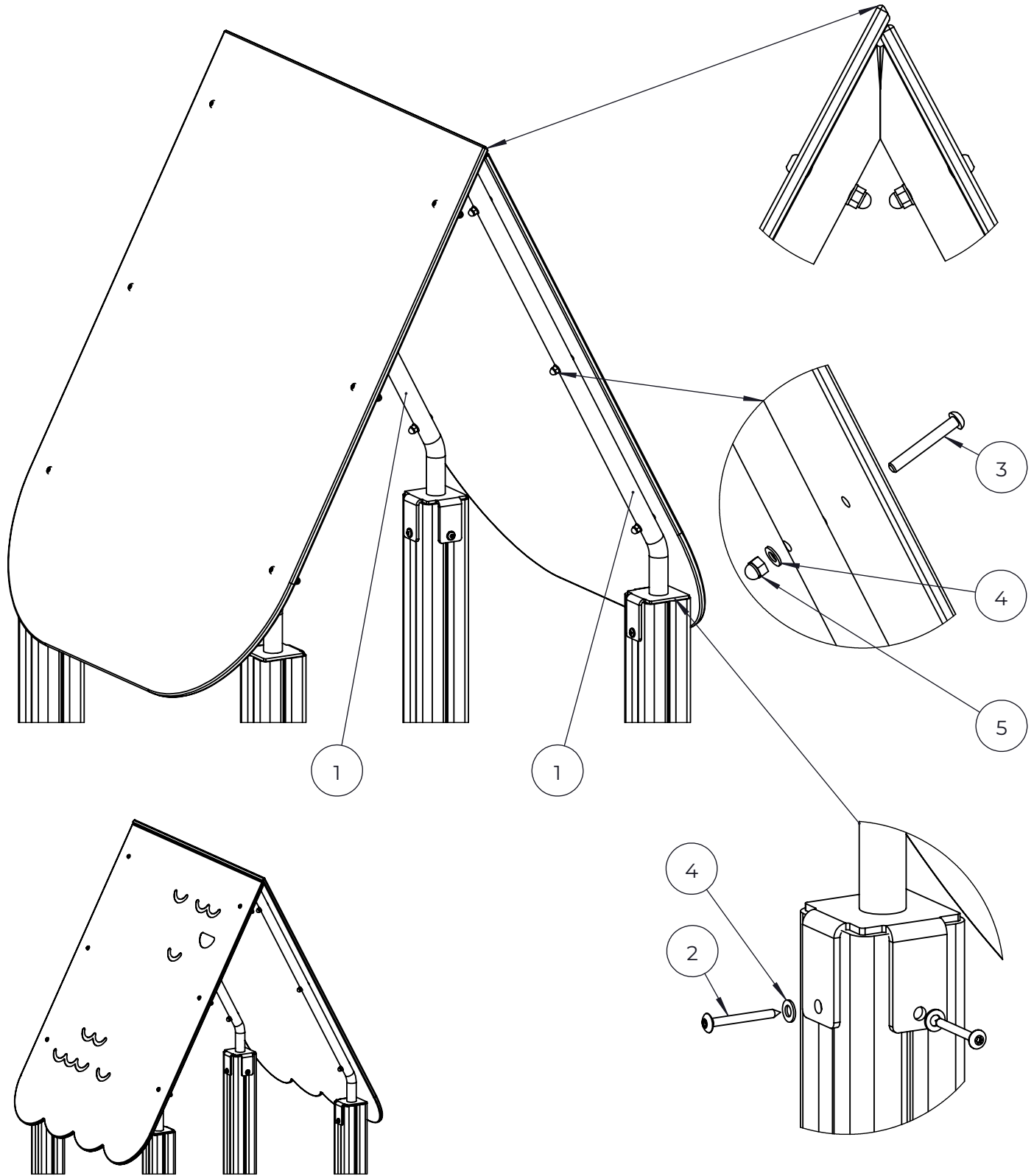
NO.	ITEM CODE			QTY.
1	712468	PLATE	12x640x702	1
2	903176	CLAMP		4
3	909850	ALLEN SCREW	M8x25	5
4	909256	WASHER	Ø16/8.4x1.6	5
5	909633	NUT	M8	5
6	980123	SPECIAL SCREW	Ø7x60	4
7	980128	SPECIAL SCREW	Ø7x40	1
8	903215	CLAMP		1



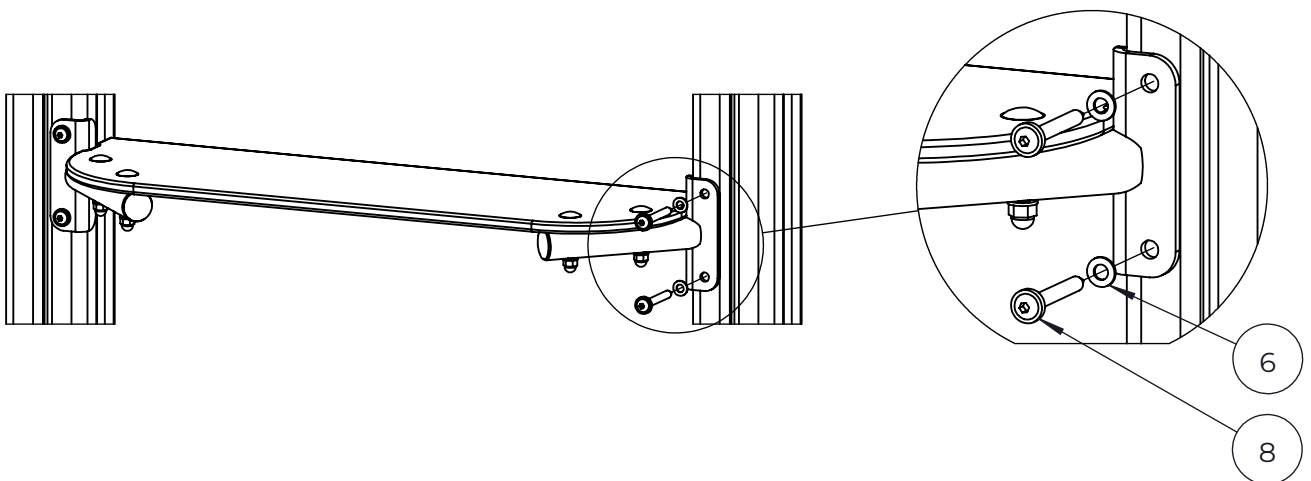
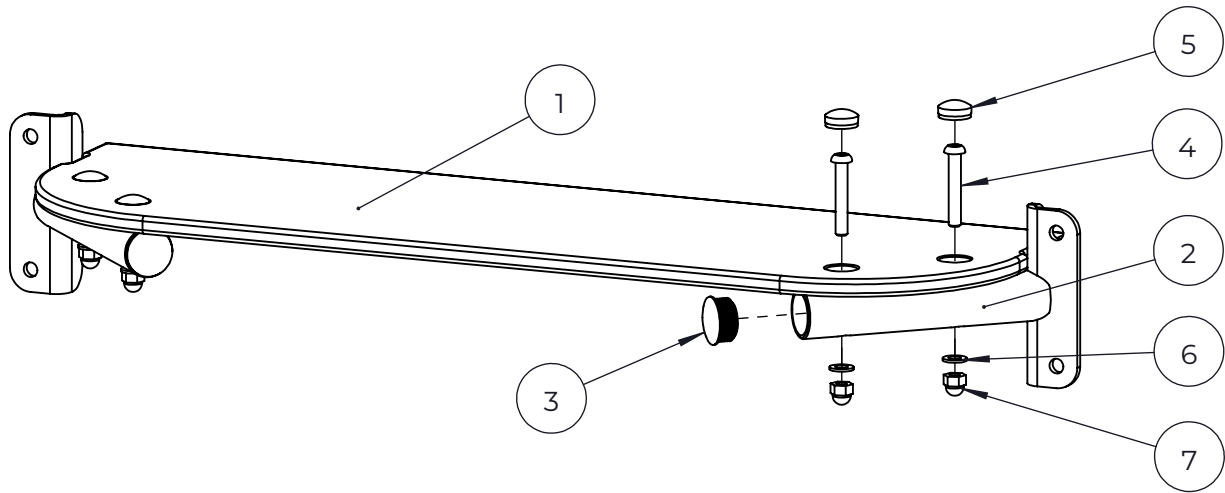
NO.	ITEM CODE			QTY.
1	711676	PLATE	12x230x702	1
2	903176	CLAMP		2
3	909850	ALLEN SCREW	M8x25	2
4	909256	WASHER	Ø16/8.4x1.6	4
5	909633	NUT	M8	3
6	980123	SPECIAL SCREW	Ø7x60	2
7	905827	ALLEN SCREW	M8x20	1



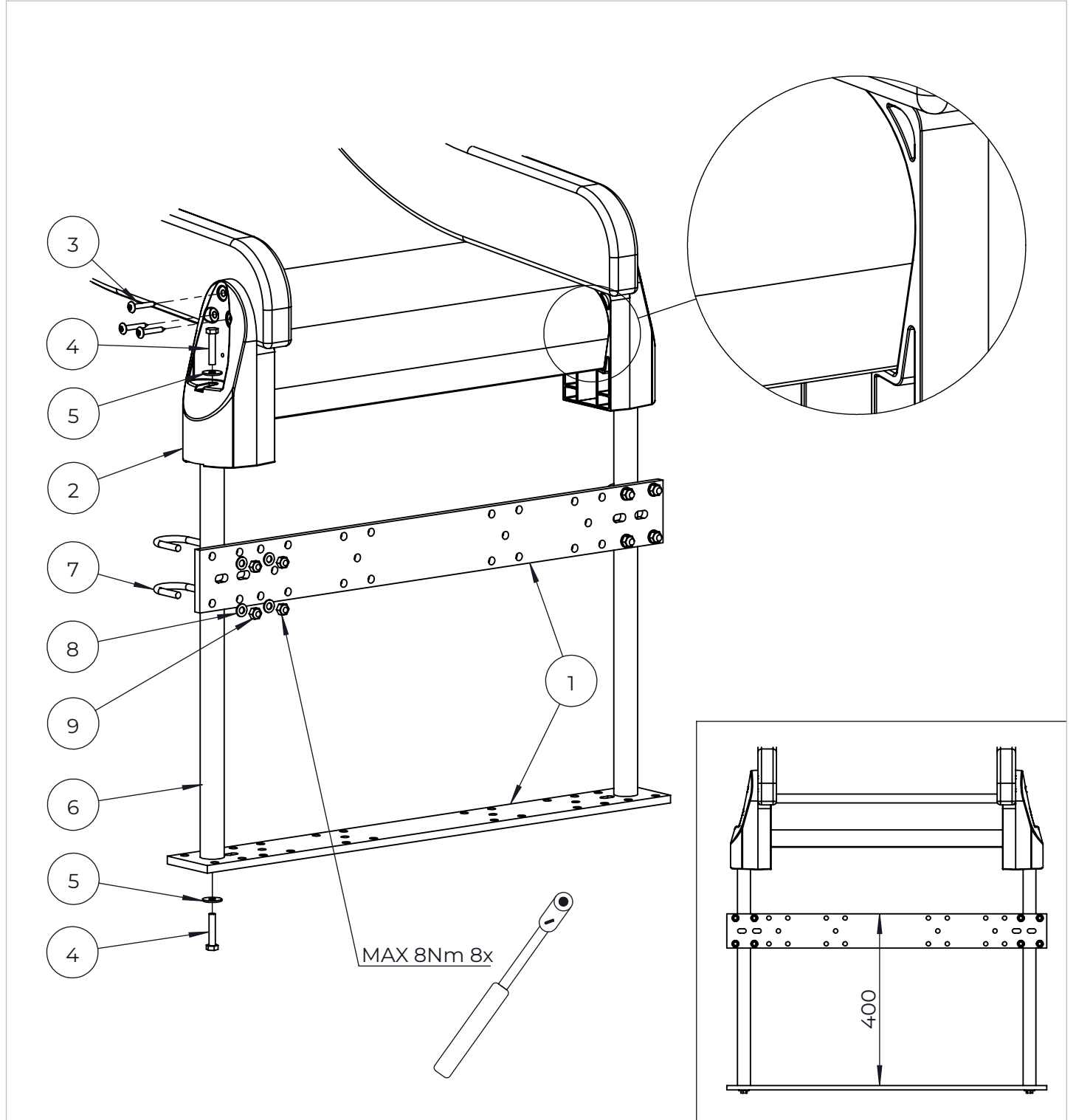
NO.	ITEM CODE			QTY.
1	711701	STEP	12x200x680	1
2	901570	CLAMP	36x55x55	4
3	900348	ALLEN SCREW	M8x30	4
4	909633	NUT	M8	4
5	980128	SPECIAL SCREW	Ø7x40	4



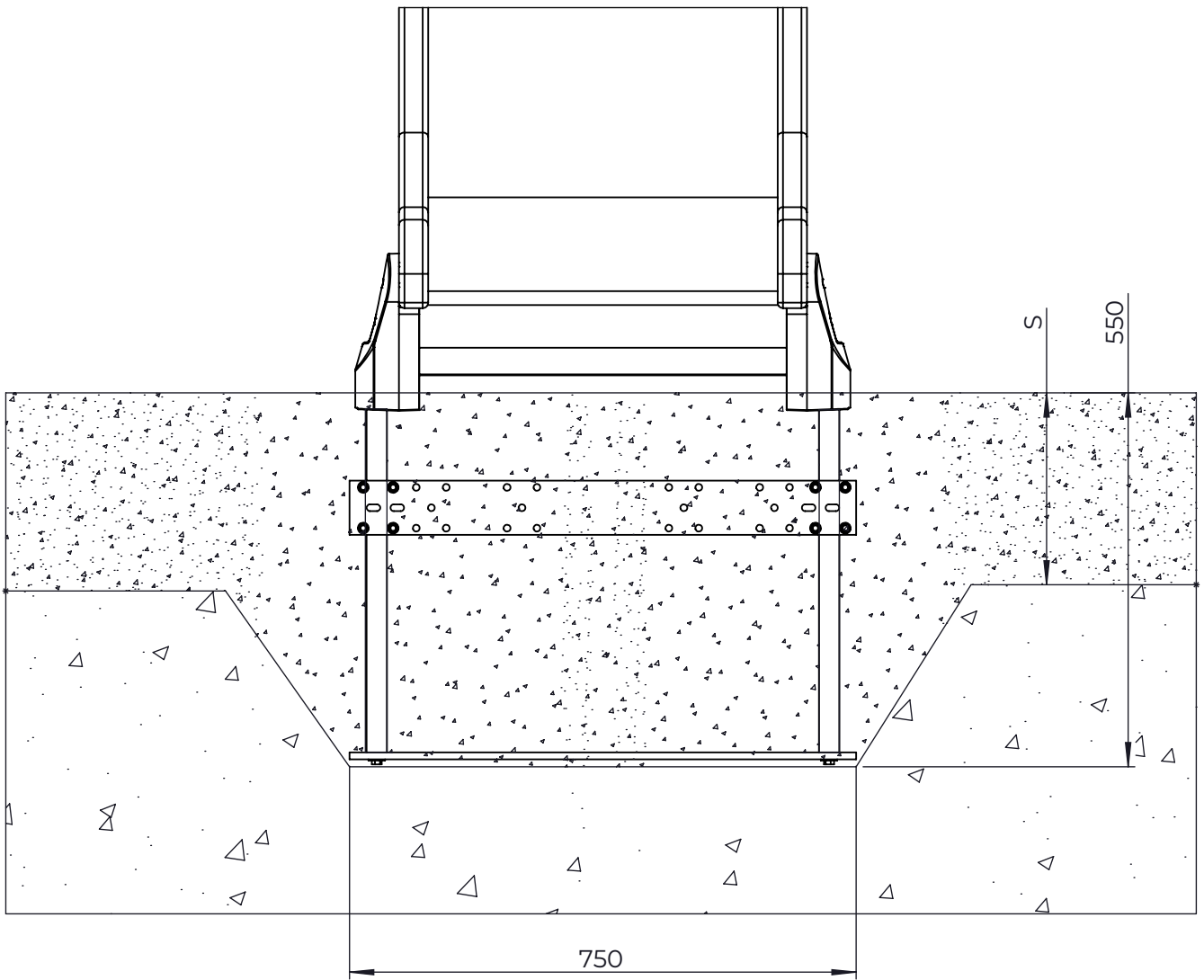
NO.	ITEM CODE			QTY.
1	914559	ROOF FRAME	94x883x950	2
2	980123	SPECIAL SCREW	Ø7x60	8
3	900735	ALLEN SCREW	M8x60	12
4	909256	WASHER	Ø16/8.4x1.6	20
5	909633	NUT	M8	12

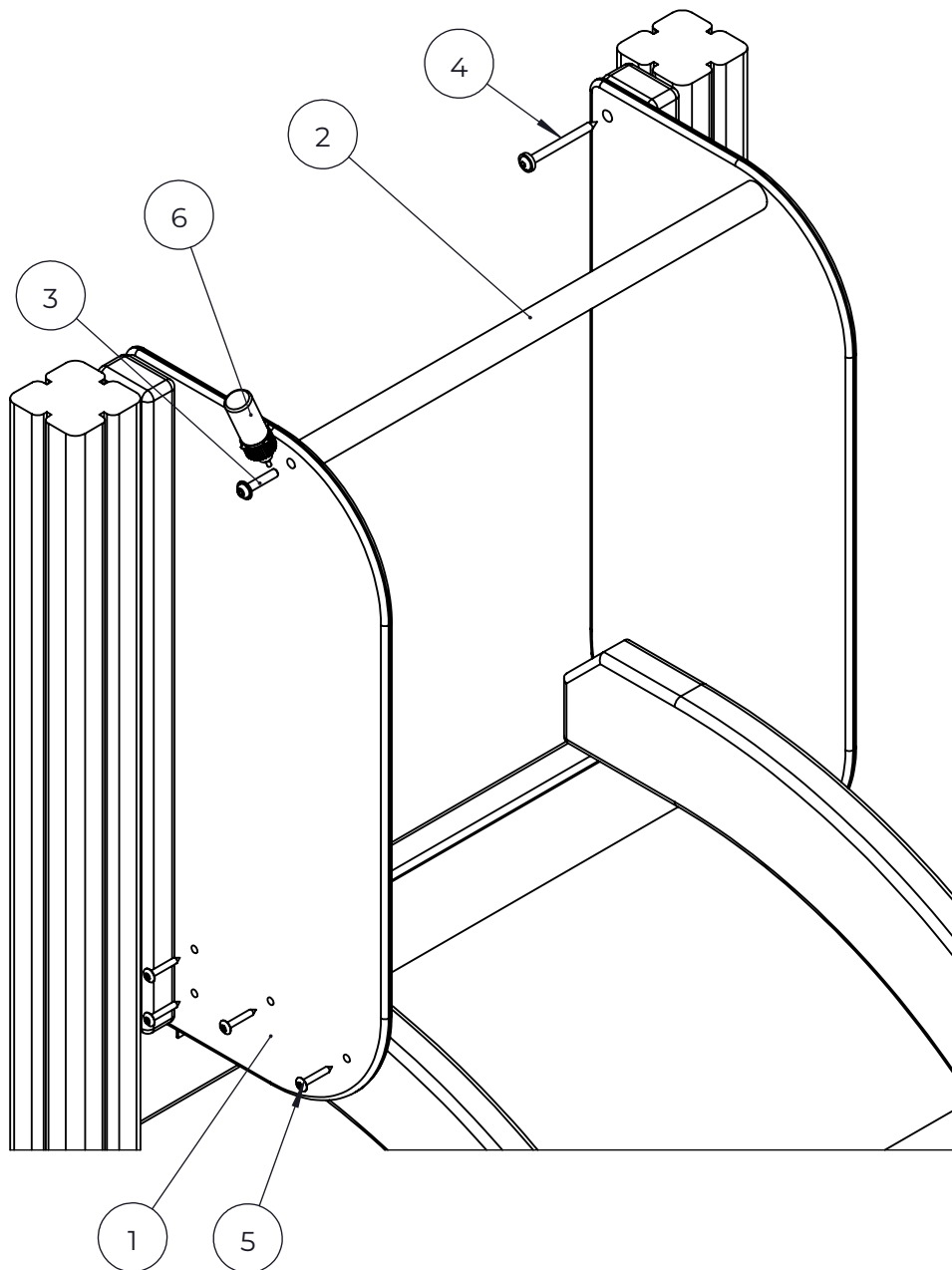


NO.	ITEM CODE			QTY.
1	712325	TABLE	12x206x702	1
2	914513	SUPPORT	120x48x189	2
3	905103	INSIDE PLUG	PT-28/32-H	2
4	900498	ALLEN SCREW	M8x50	4
5	905112	PLASTIC CAP	Ø22	4
6	909256	WASHER	Ø16/8.4x1.6	8
7	909633	NUT	M8	4
8	900240	SPECIAL SCREW	Ø8x70	4

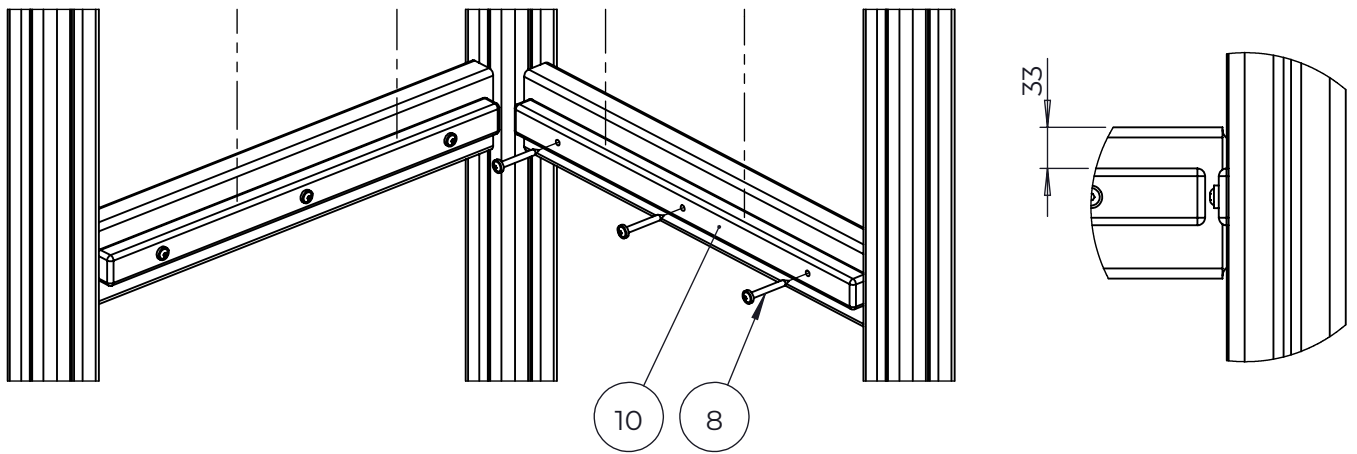
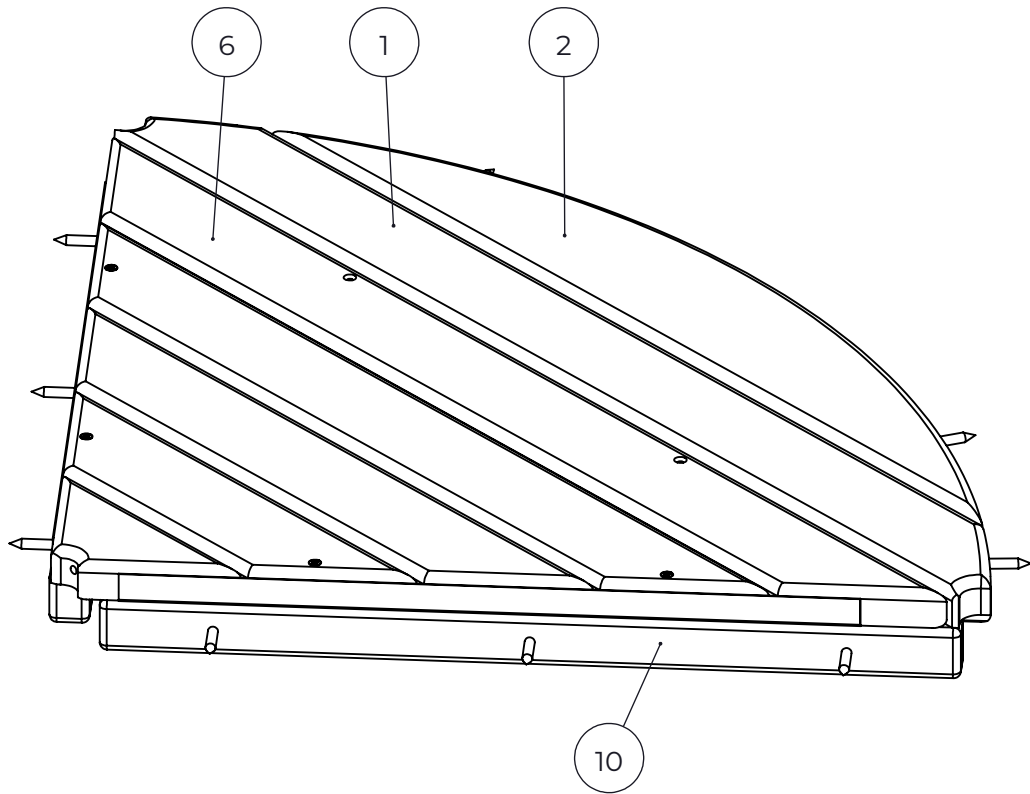


NO.	ITEM CODE			QTY.
1	707133	PLATE	10x80x745	2
2	901879	CLAMP		2
3	980128	SPECIAL SCREW	Ø7x40	6
4	909210	BOLT	M8x40	4
5	905051	WASHER	Ø24/8.4	4
6	901868	BAR		2
7	901115	U-BOLT		4
8	909256	WASHER	Ø16/8.4x1.6	8
9	980160	NUT	M8	8

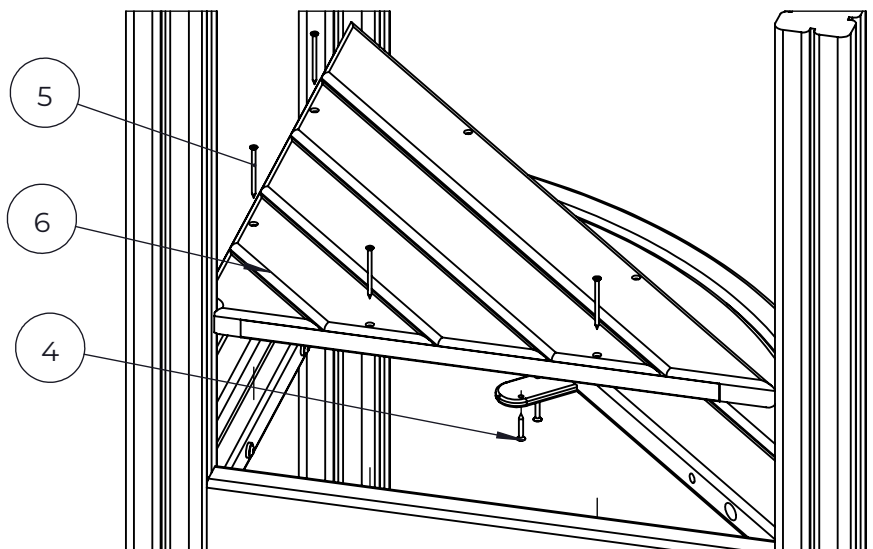
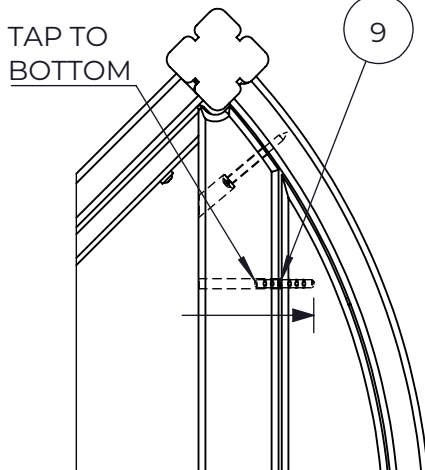
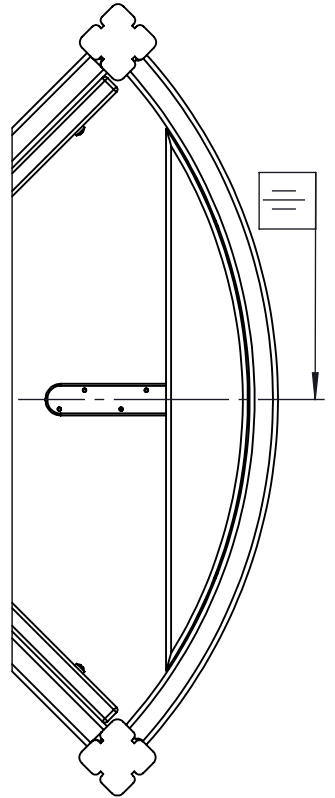
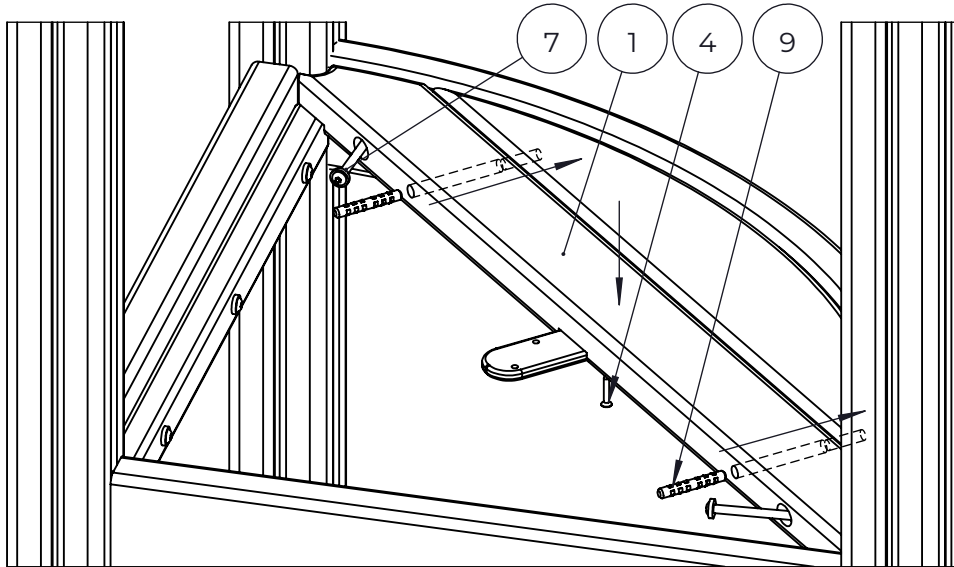
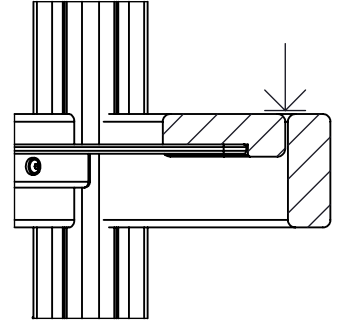
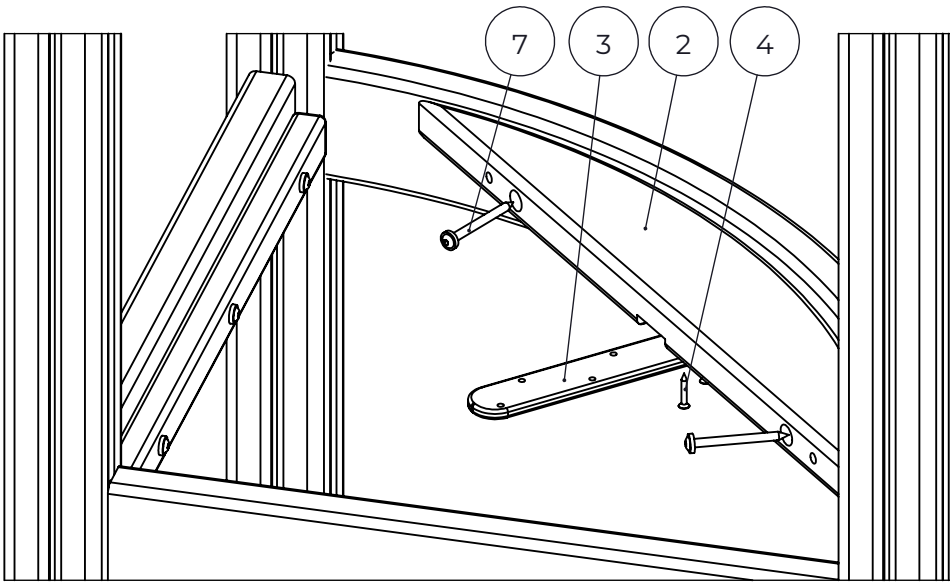


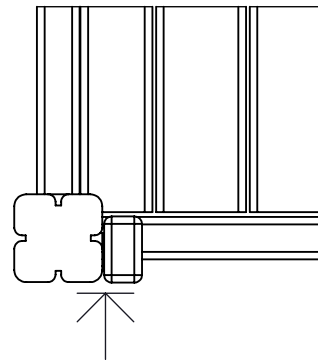
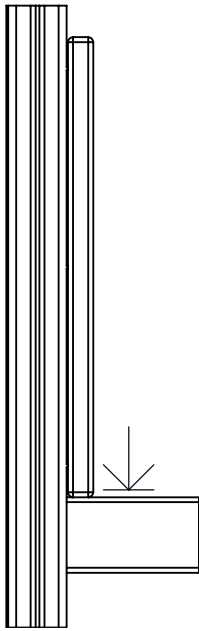
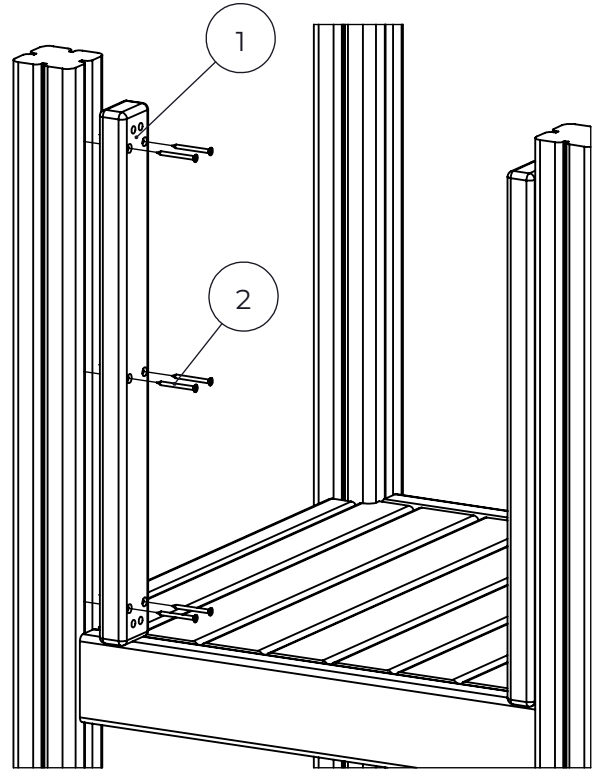
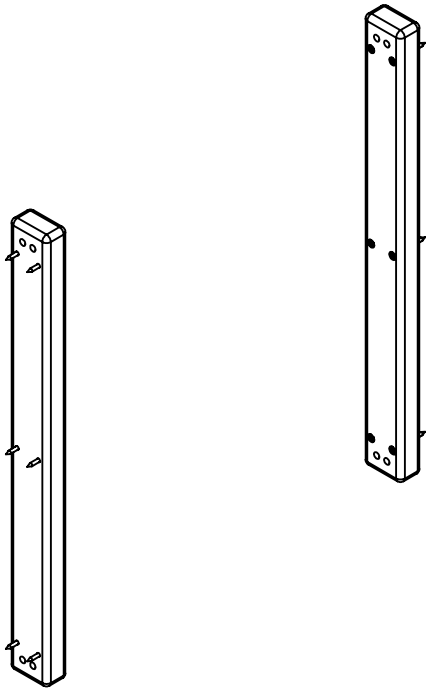


NO.	ITEM CODE			QTY.
1	711709	PLATE	12x343x747	2
2	914171	RAIL	Ø34x598	1
3	909876	ALLEN SCREW	M8x40	2
4	903093	SPECIAL SCREW	Ø8x90	2
5	980128	SPECIAL SCREW	Ø7x40	8
6	999561	THREAD GLUE HARD	10 g	1

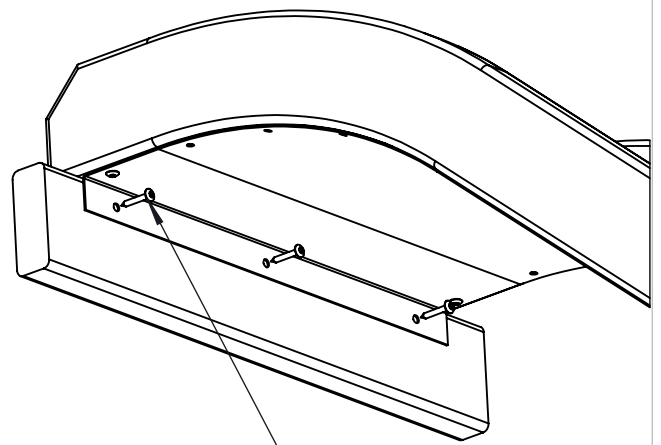
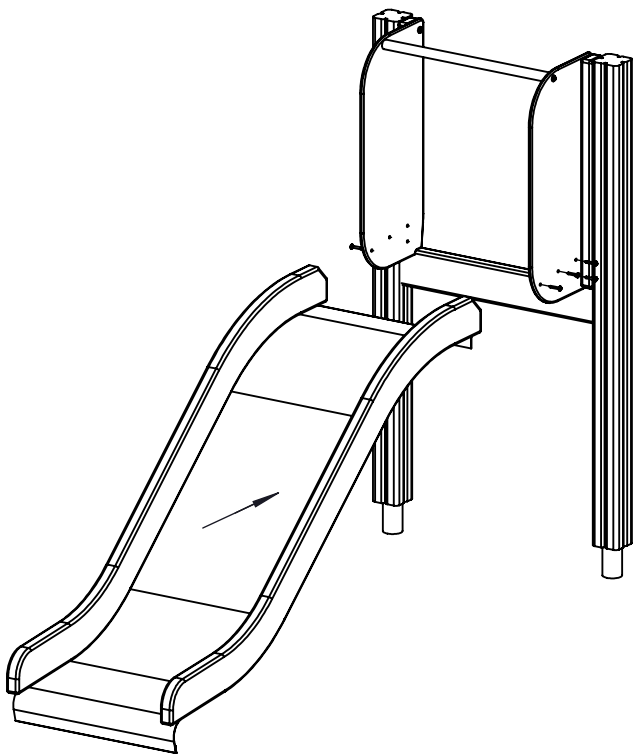
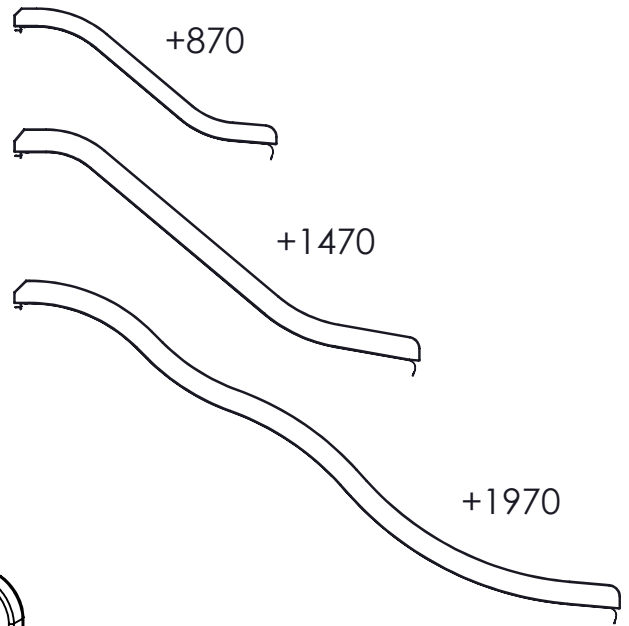
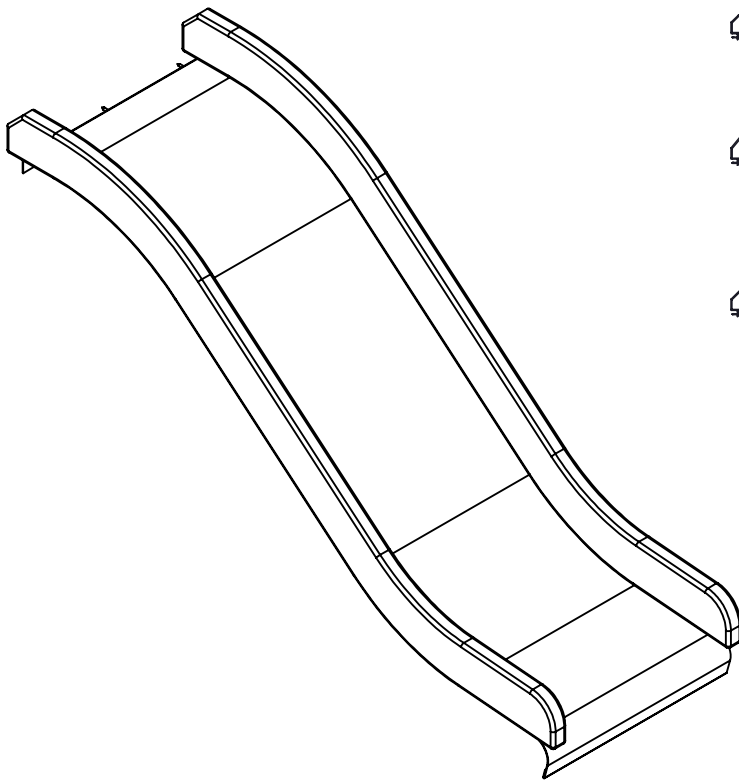


NO.	ITEM CODE			QTY.
1	710453	PLANK	45x95x1023	1
2	710405	PLANK	45x133x870	1
3	710466	PLATE	10x50x280	1
4	980129	SCREW	Ø5x35	6
5	980101	COUNTERSUNK SCREW	Ø4,5 x 70	4
6	712956	FLOOR ELEMENT	32x714x714	1
7	903093	SPECIAL SCREW	Ø8x90	4
8	900240	SPECIAL SCREW	Ø8x70	6
9	909567	PIN	Ø10 X 75	2
10	709709	STRIP	32x45x685	2

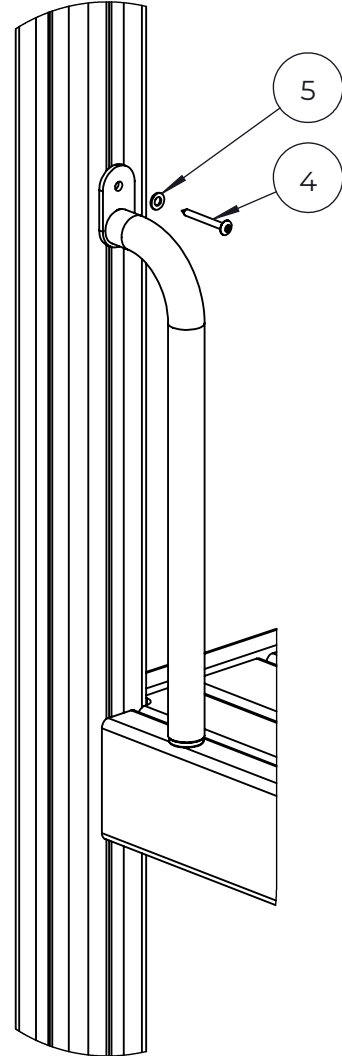
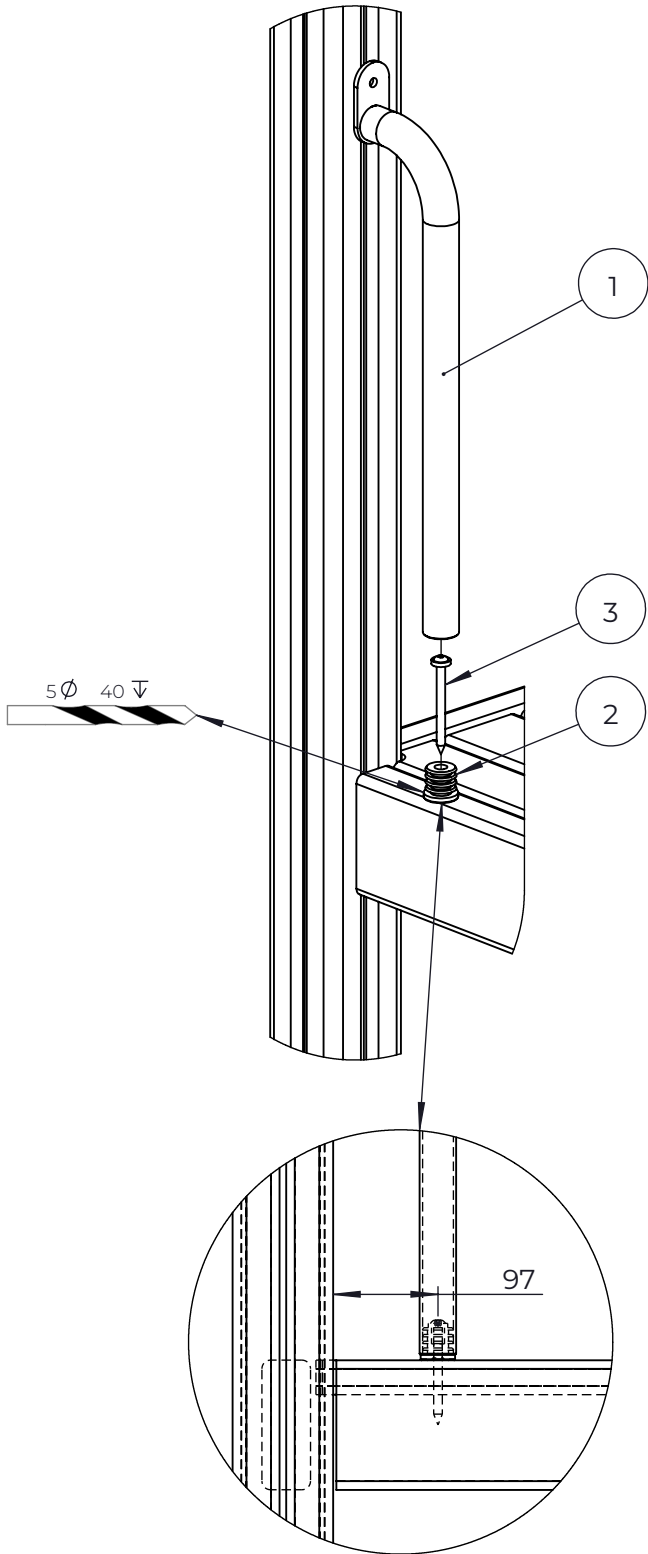




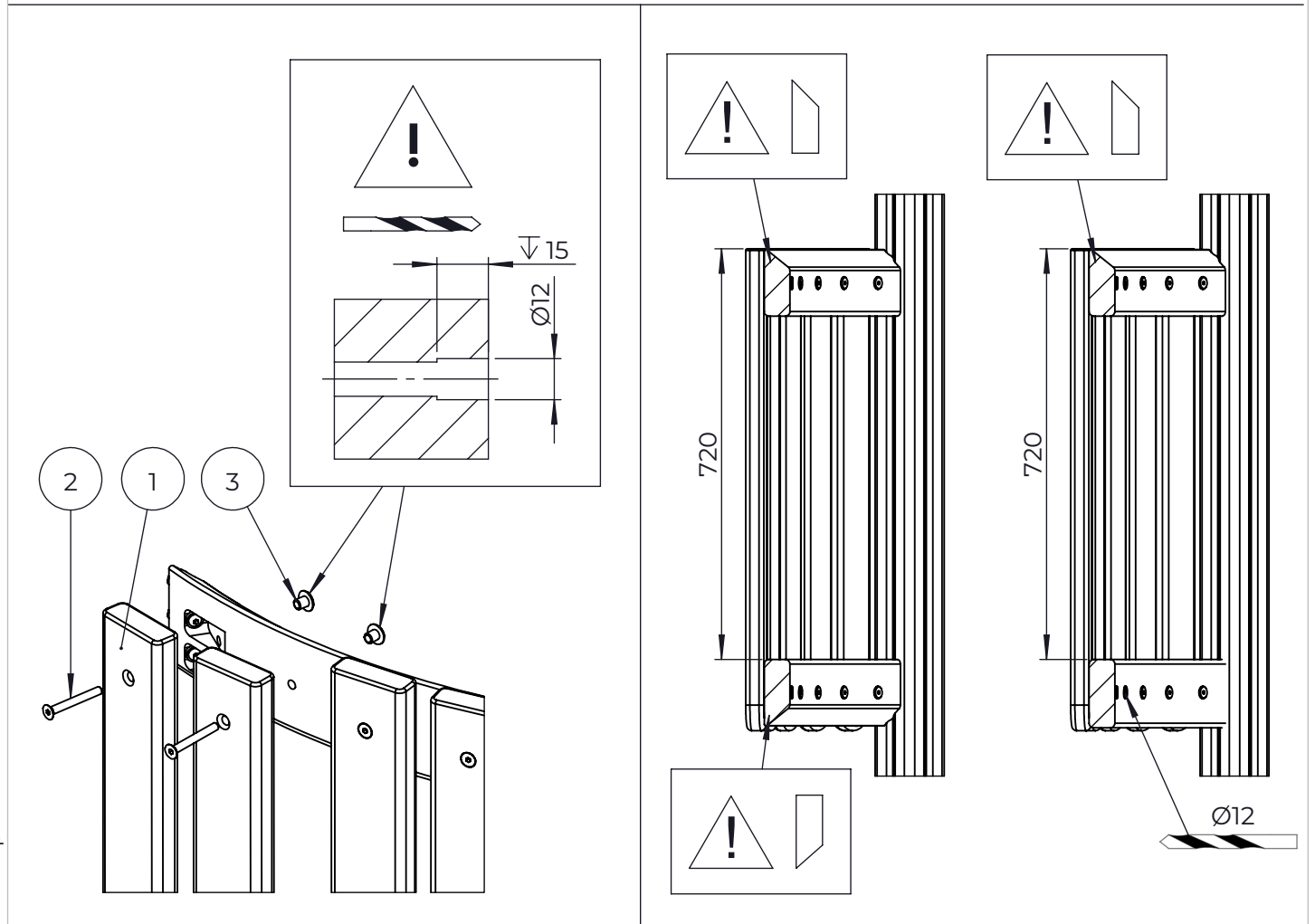
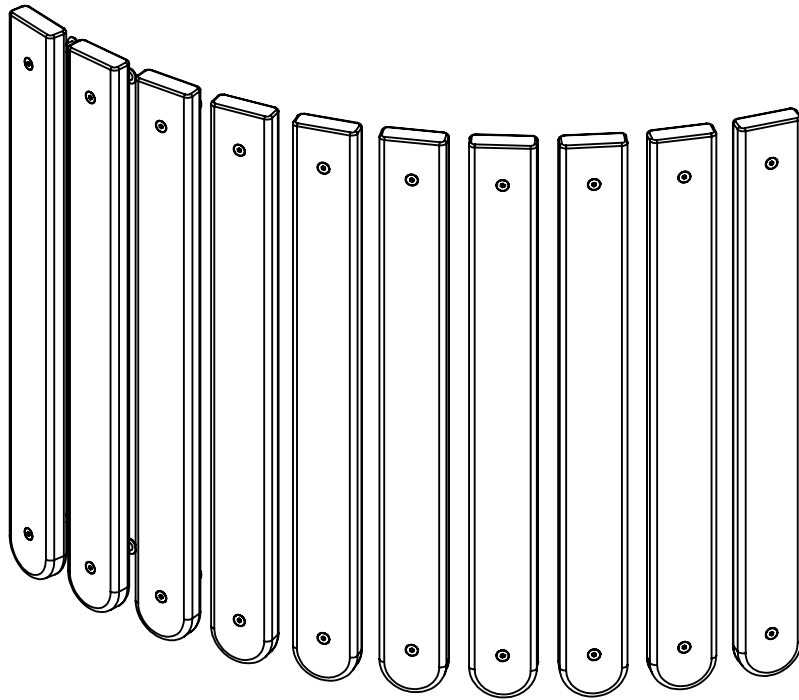
NO.	ITEM CODE			QTY.
1	712303	BATTEN	40x70x730	2
2	980100	SCREW	Ø5x60	12



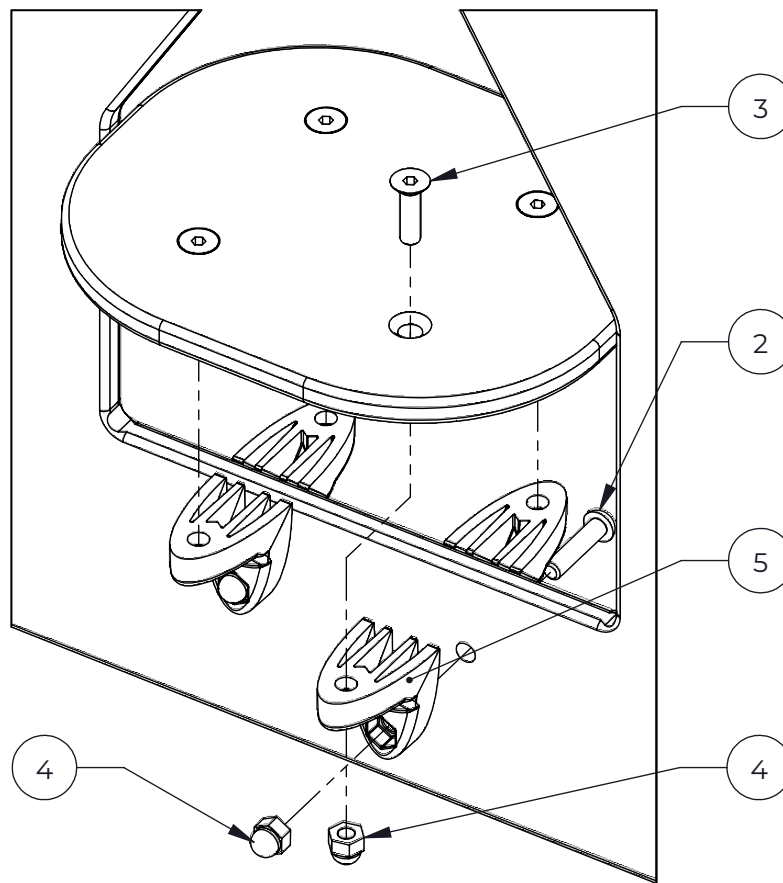
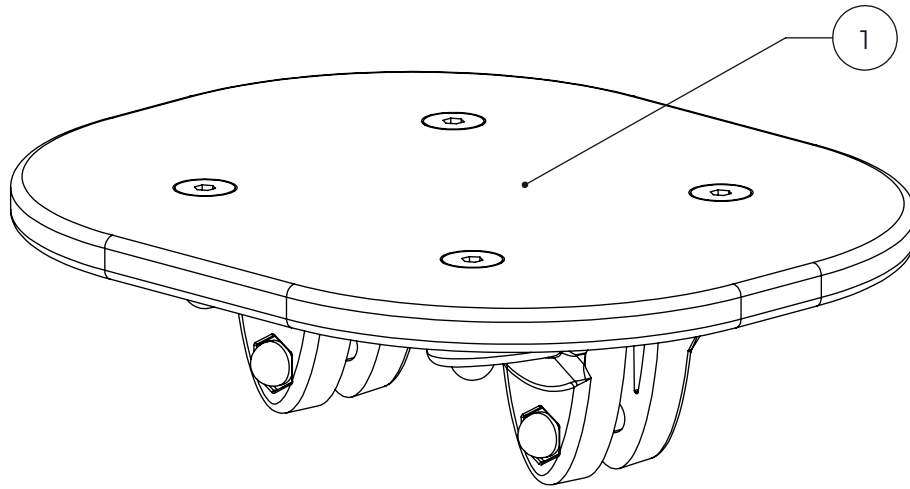
3 x Ø7x40
(980128)



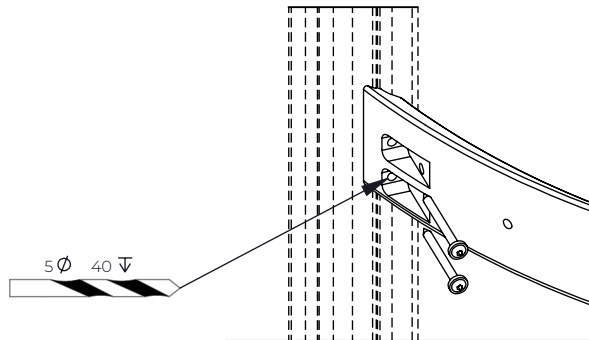
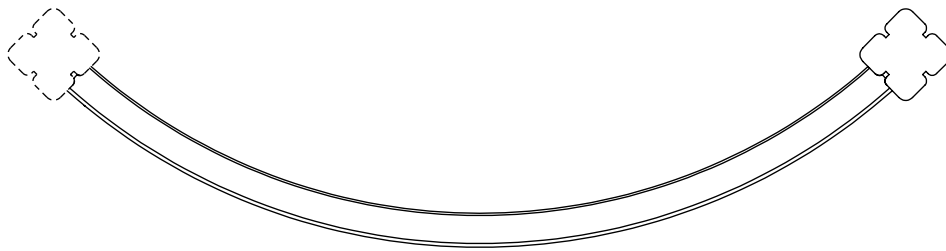
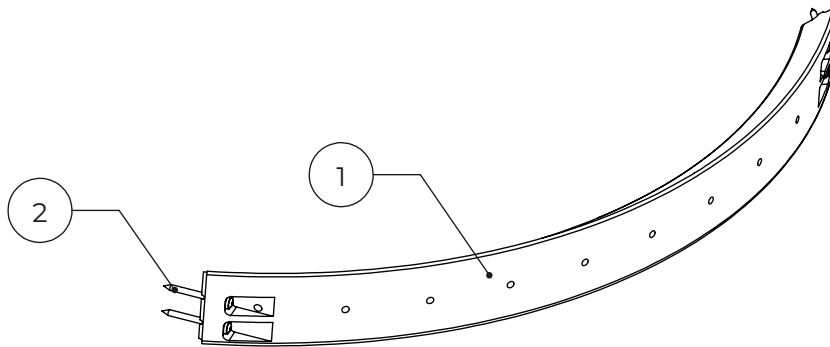
NO.	ITEM CODE			QTY.
1	914172	HAND GRIP	40x114x540	1
2	908057	CONNECTOR	Ø32/29-L5/30	1
3	903093	SPECIAL SCREW	Ø8x90	1
4	980123	SPECIAL SCREW	Ø7x60	1
5	909256	WASHER	Ø16/8.4x1.6	1



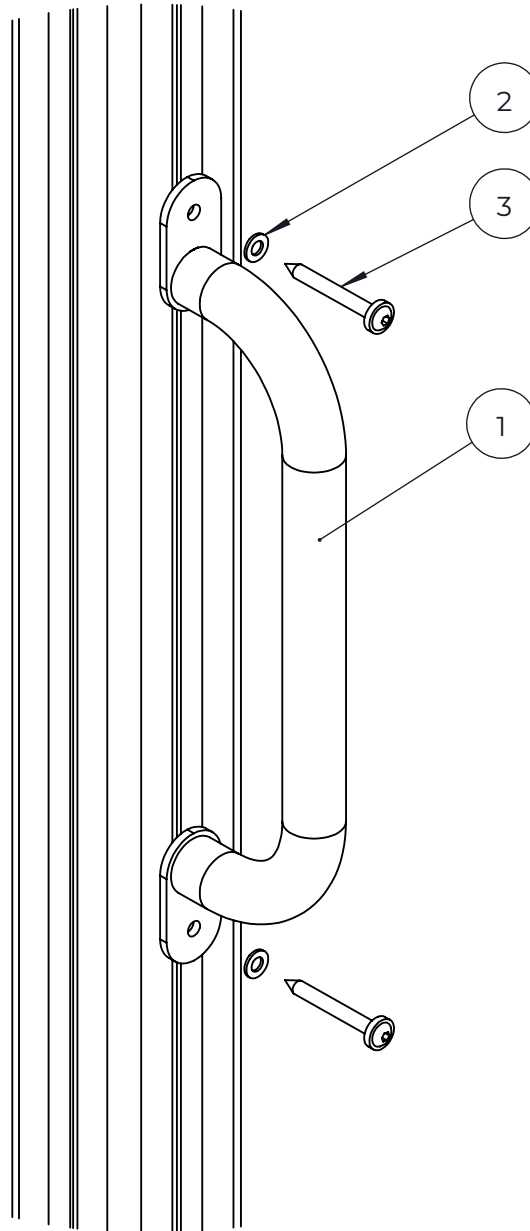
NO.	ITEM CODE			QTY.
1	710471	LATH	32x95x845	10
2	911808	COUNTERSUNK SCREW	M8x70	20
3	914858	SPECIAL NUT	M8x12	20



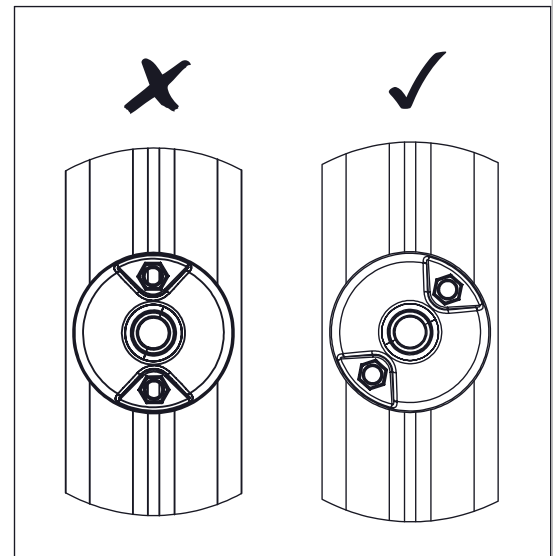
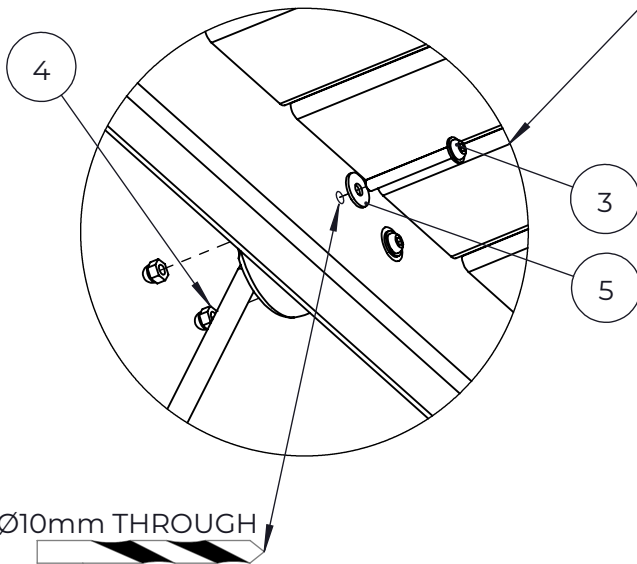
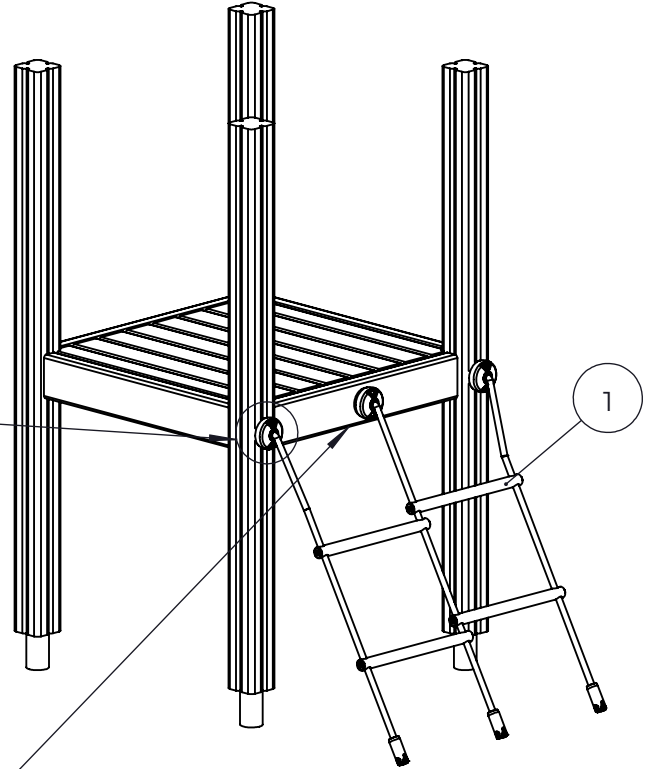
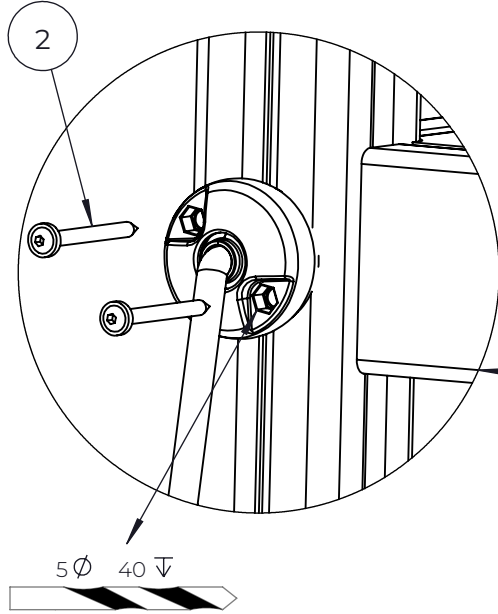
NO.	ITEM CODE			QTY.
1	712307	PLATE	12x200x238	1
2	909855	ALLEN SCREW	M8x35	2
3	900348	ALLEN SCREW	M8x30	4
4	909633	NUT	M8	6
5	901570	CLAMP	36x55x55	4



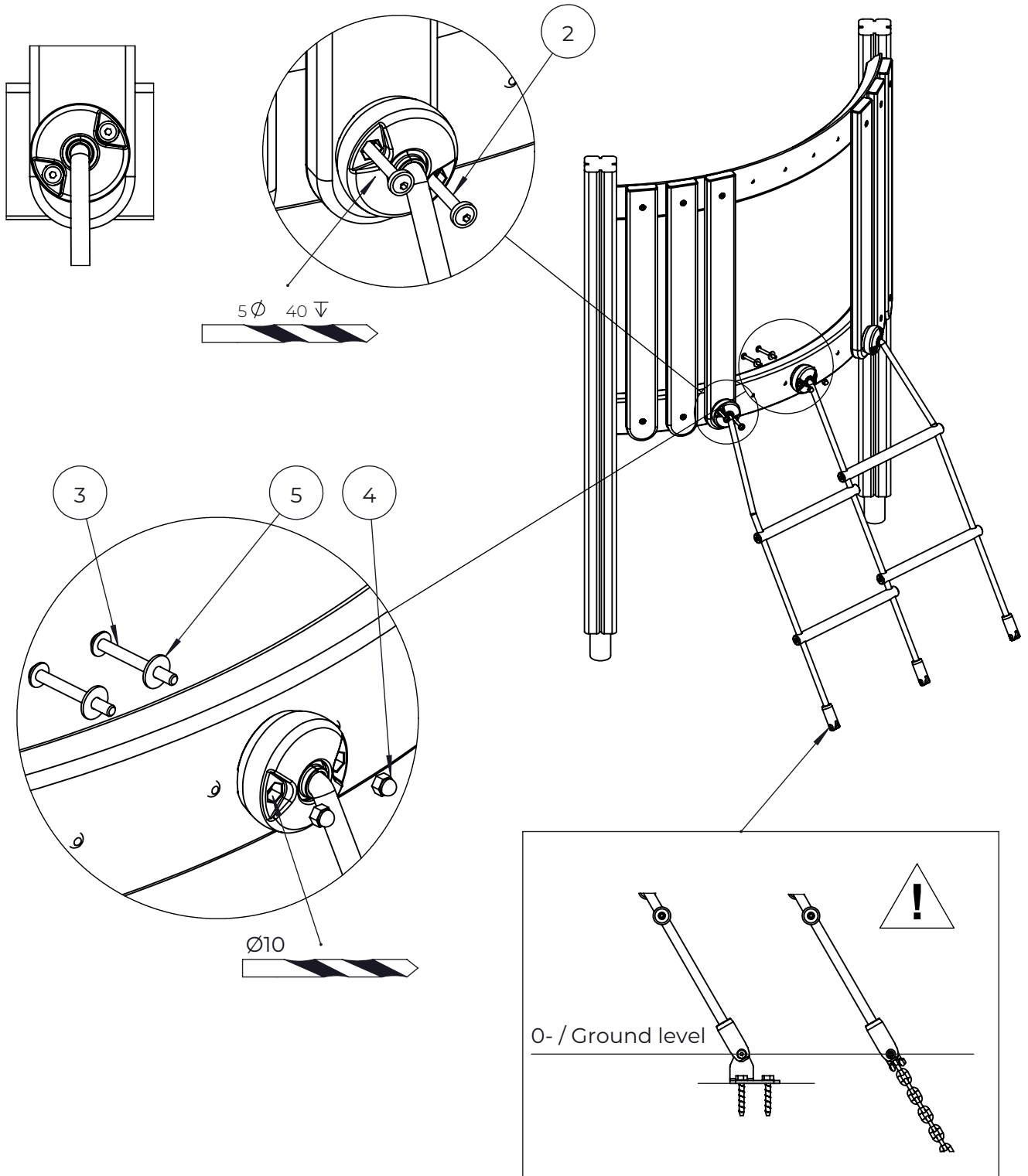
NO.	ITEM CODE			QTY.
1	710469	ARCH ELEMENT	45x120x1096	1
2	903093	SPECIAL SCREW	Ø8x90	4



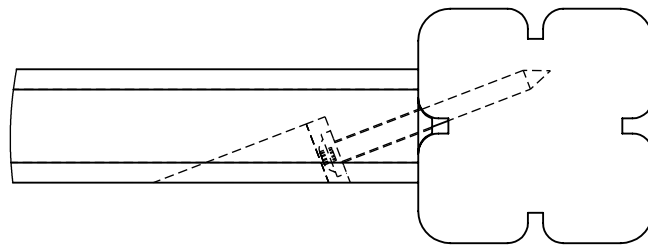
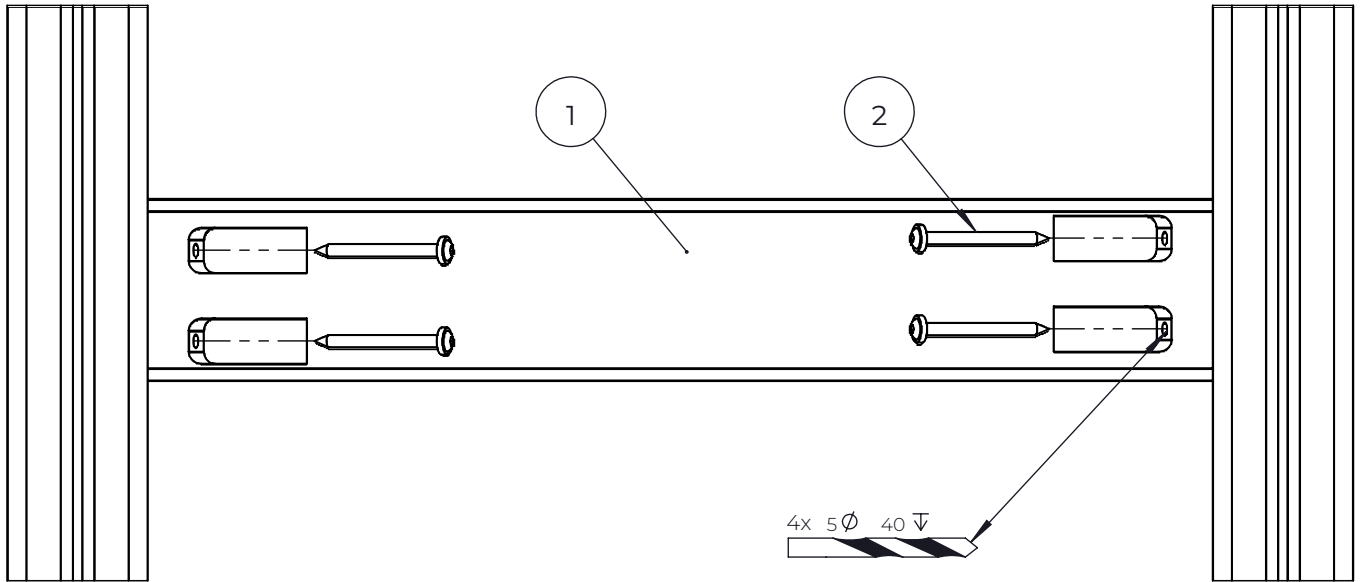
NO.	ITEM CODE			QTY.
1	914419	GRIP	40x119x490	1
2	909256	WASHER	Ø16/8.4x1.6	2
3	900240	SPECIAL SCREW	Ø8x70	2



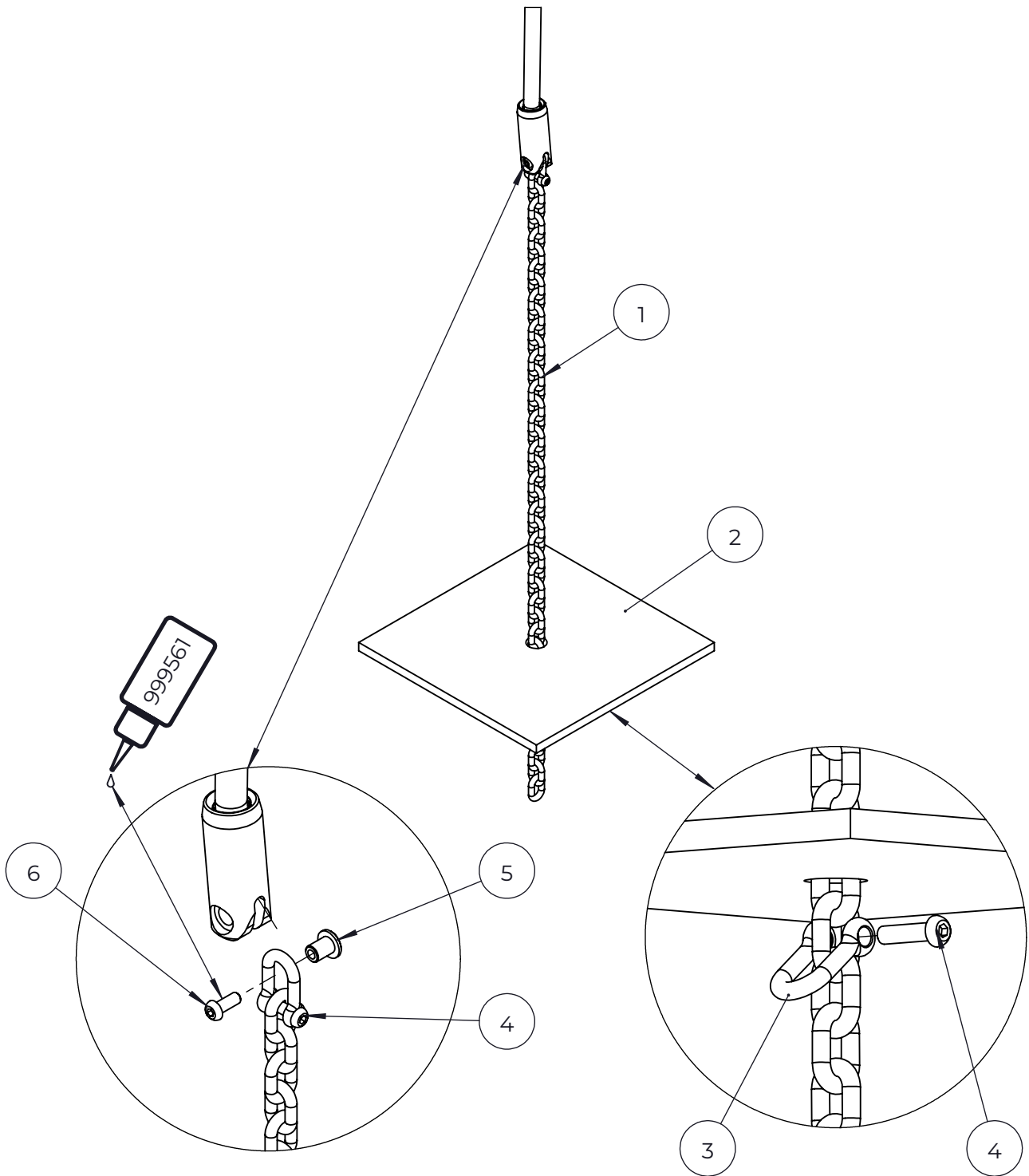
NO.	ITEM CODE			QTY.
1	712741	CLIMBING ELEMENT	+870	1
2	903093	SPECIAL SCREW	Ø8x90	4
3	909867	ALLEN SCREW	M8x70	2
4	909633	NUT	M8	2
5	980152	WASHER	Ø24/8.4x2	2



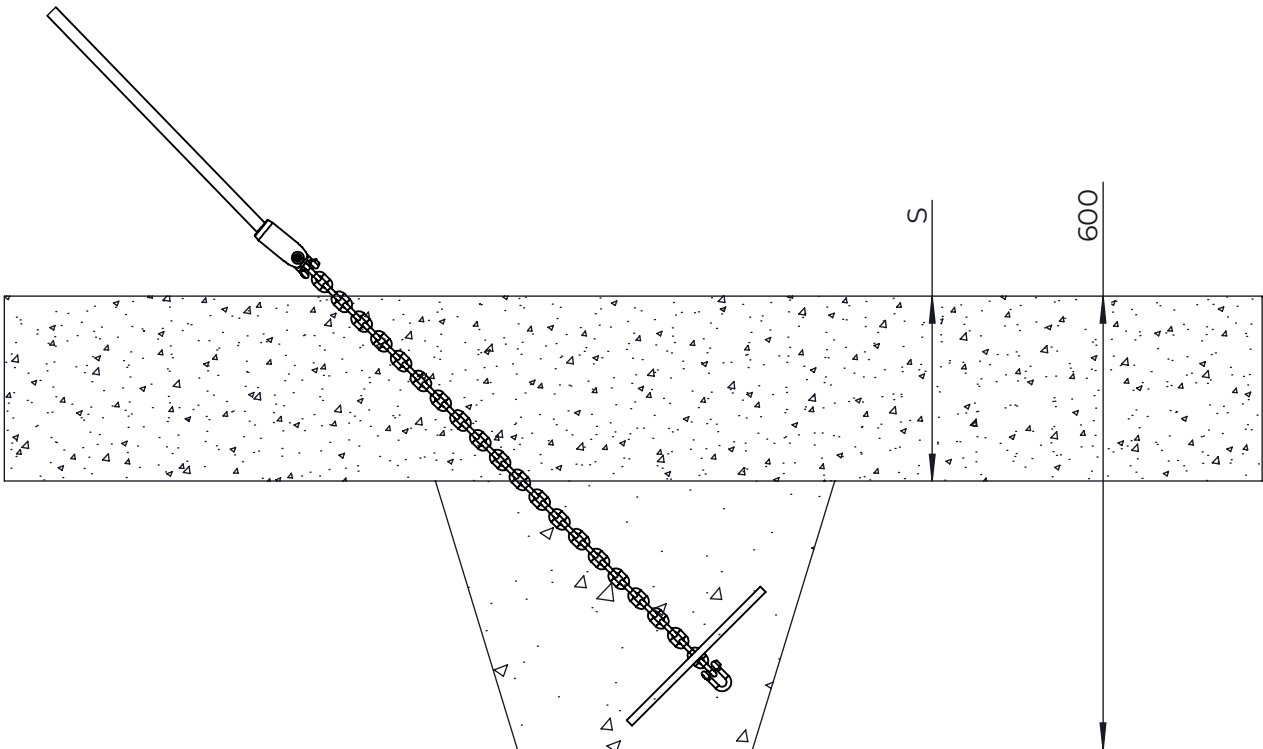
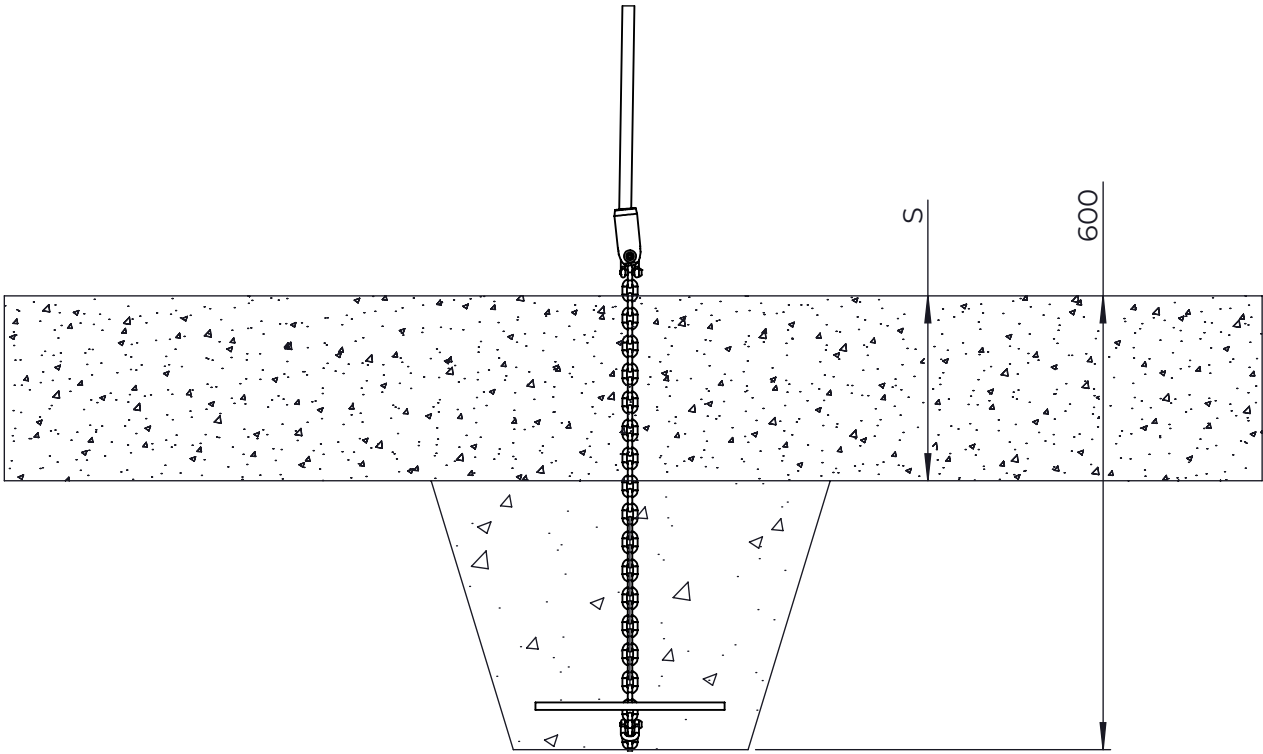
NO.	ITEM CODE			QTY.
1	712741	CLIMBING ELEMENT	+870	1
2	903093	SPECIAL SCREW	Ø8x90	4
3	909867	ALLEN SCREW	M8x70	2
4	909633	NUT	M8	2
5	980152	WASHER	Ø24/8.4x2	2

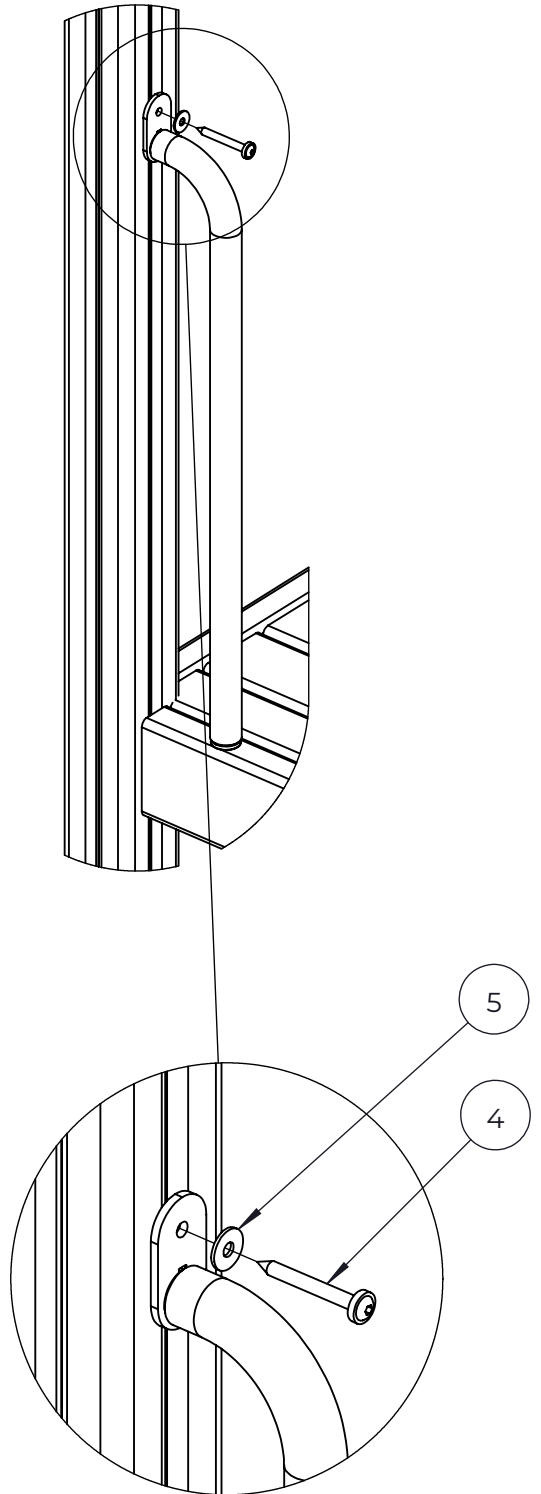
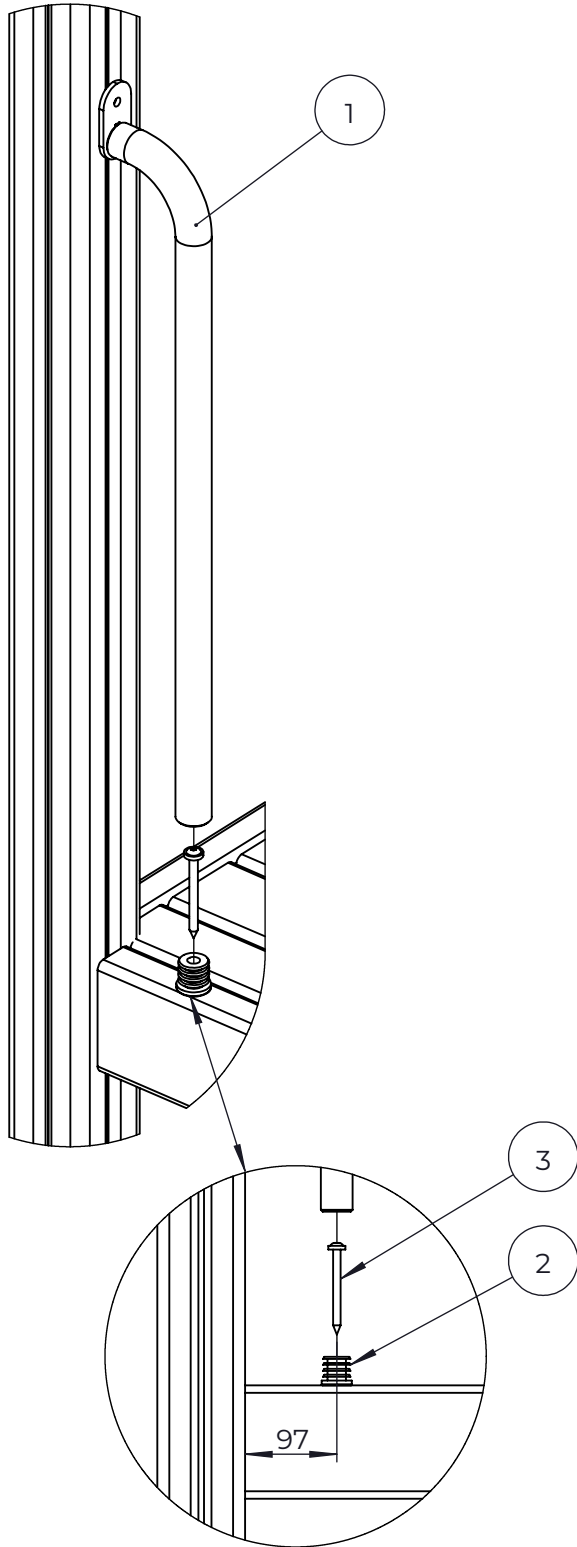


NO.	ITEM CODE			QTY.
1	712079	BOOM	45x120x715	1
2	903093	SPECIAL SCREW	Ø8x90	4

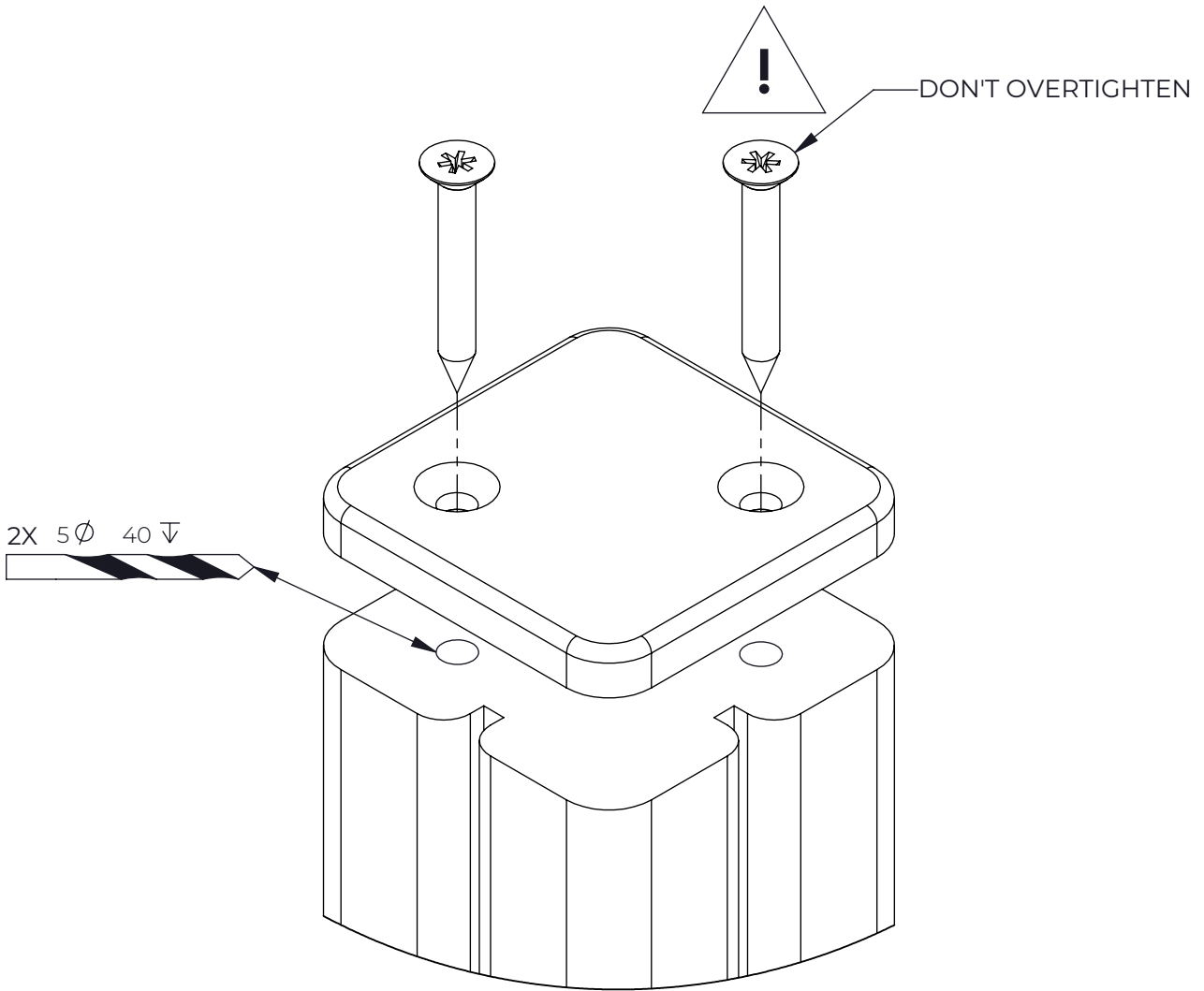


NO.	ITEM CODE			QTY.
1	914905	CHAIN		1
2	712587	PLATE	250x250x10	1
3	909636	SHACKEL	M6x38x24	2
4	906985	ALLEN SCREW	M6x25	2
5	900850	SPECIAL NUT	M6	1
6	909310	ALLEN SCREW	M6 x 16	1

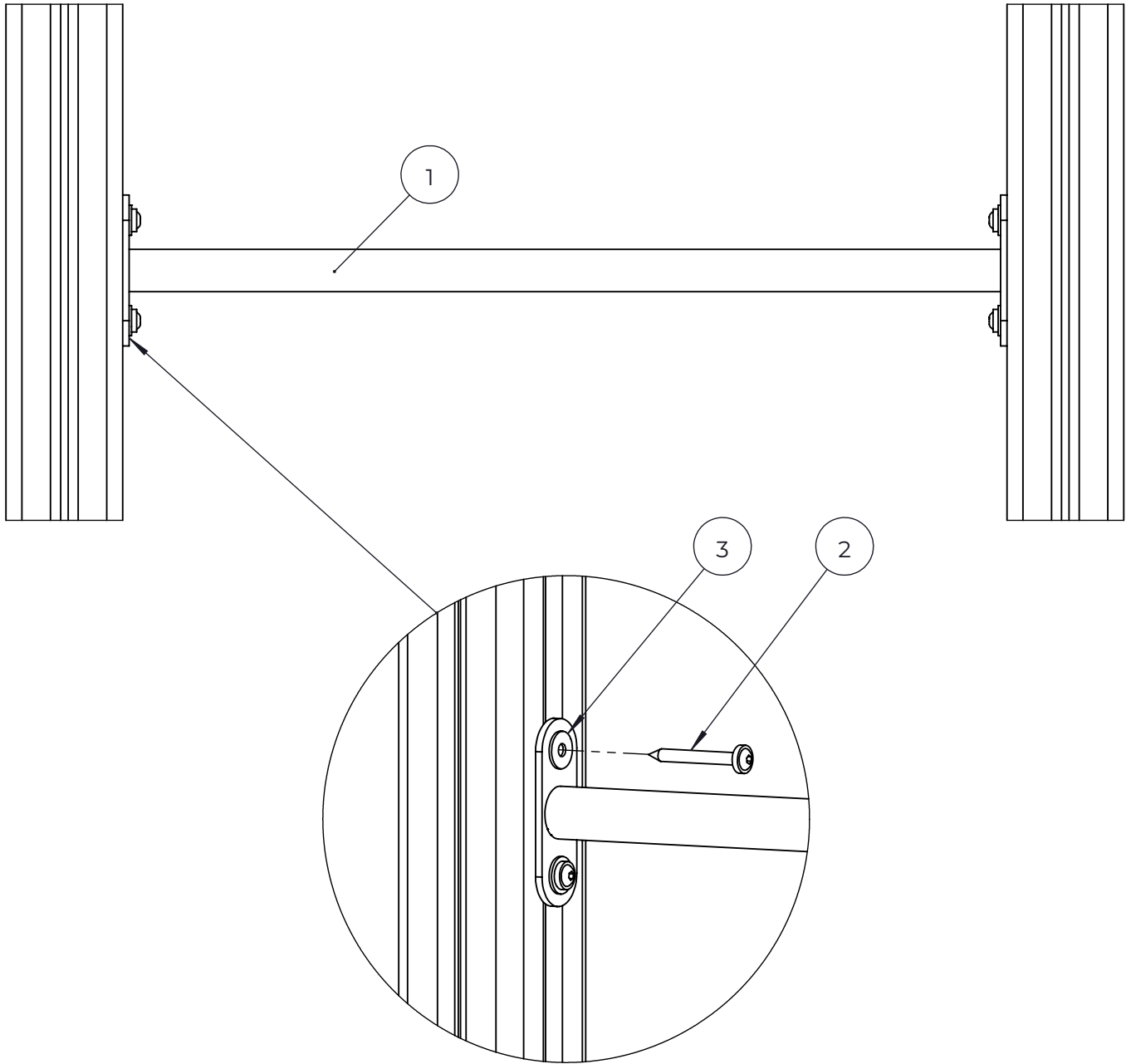




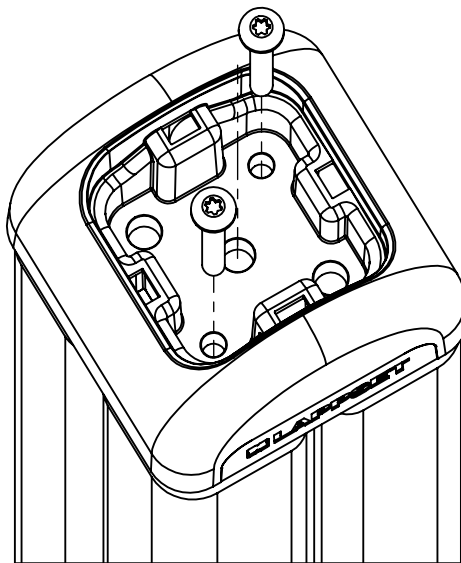
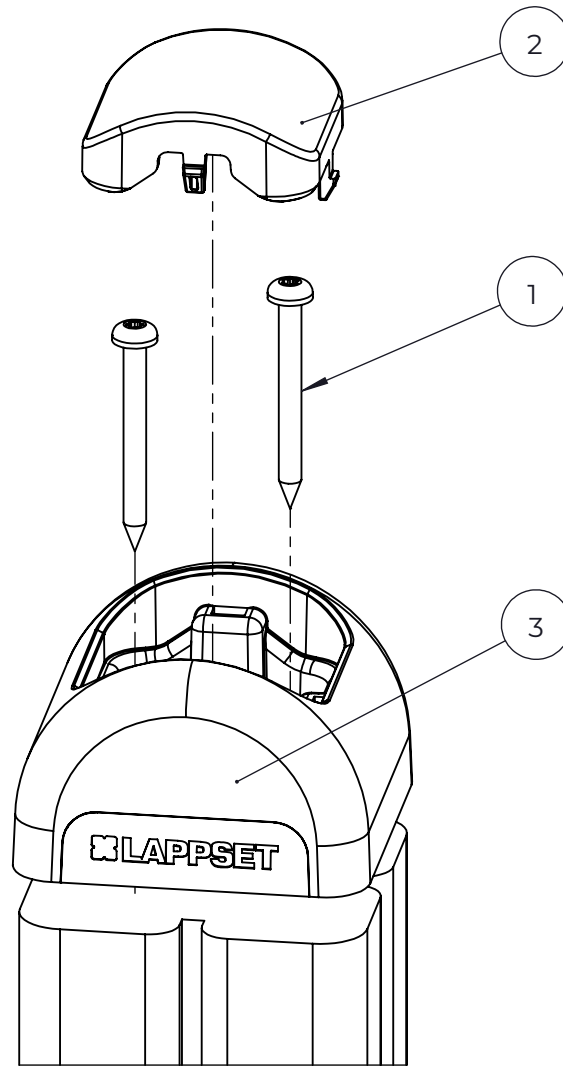
NO.	ITEM CODE			QTY.
1	914173	HAND GRIP	40x114x760	1
2	908057	CONNECTOR	Ø32/29-L5/30	1
3	903093	SPECIAL SCREW	Ø8x90	1
4	900240	SPECIAL SCREW	Ø8x70	1
5	980152	WASHER	Ø24/8.4x2	1



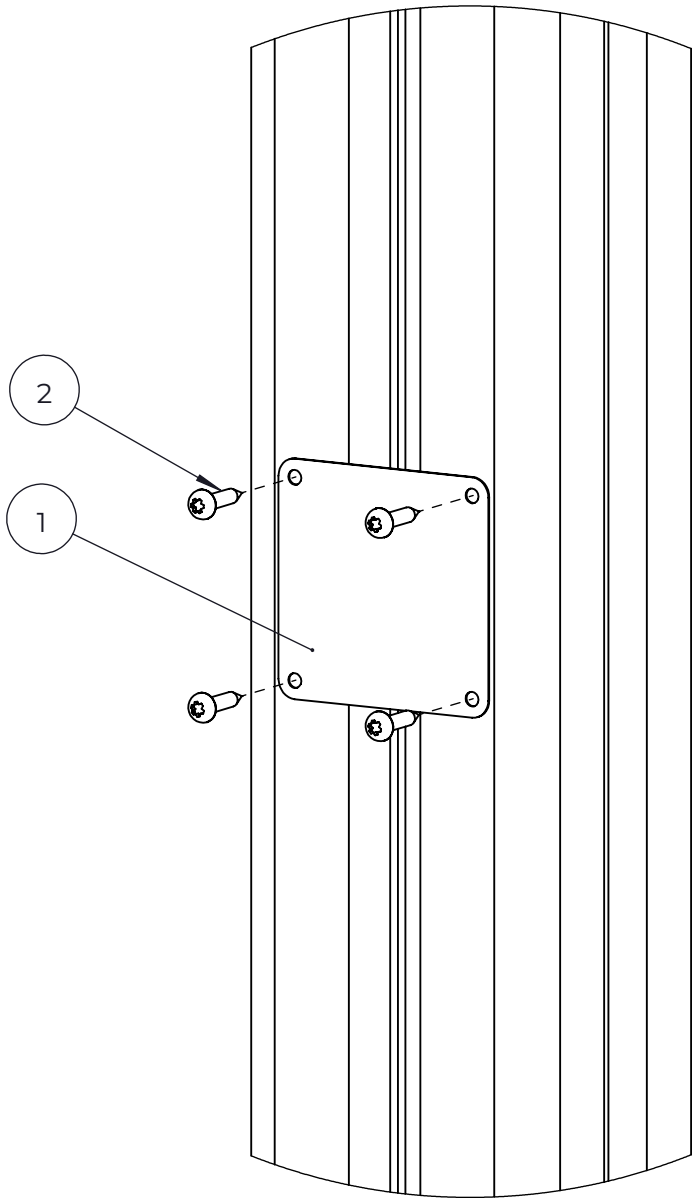
NO.	ITEM CODE			QTY.
1	906630	SCREW	Ø8x60	2
2	711807	TOP HAT	93x93x12	1



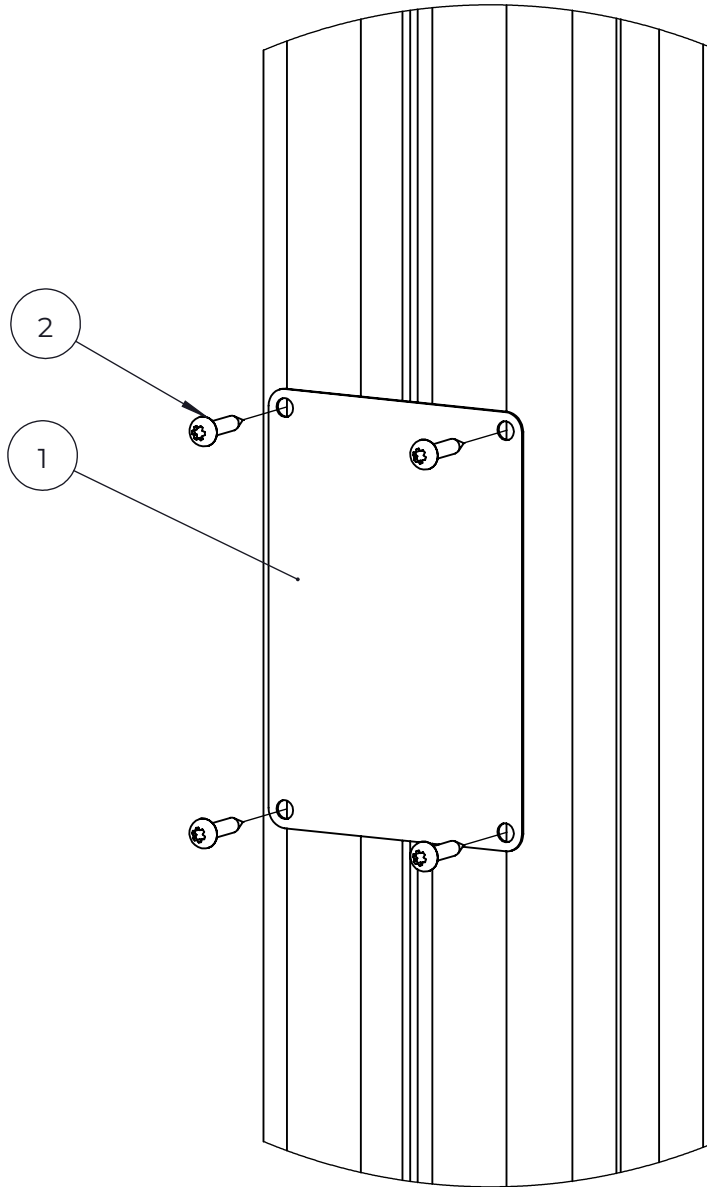
NO.	ITEM CODE			QTY.
1	914099	BAR ELEMENT	40x120x704	1
2	900240	SPECIAL SCREW	Ø8x70	4
3	980152	WASHER	Ø24/8.4x2	4



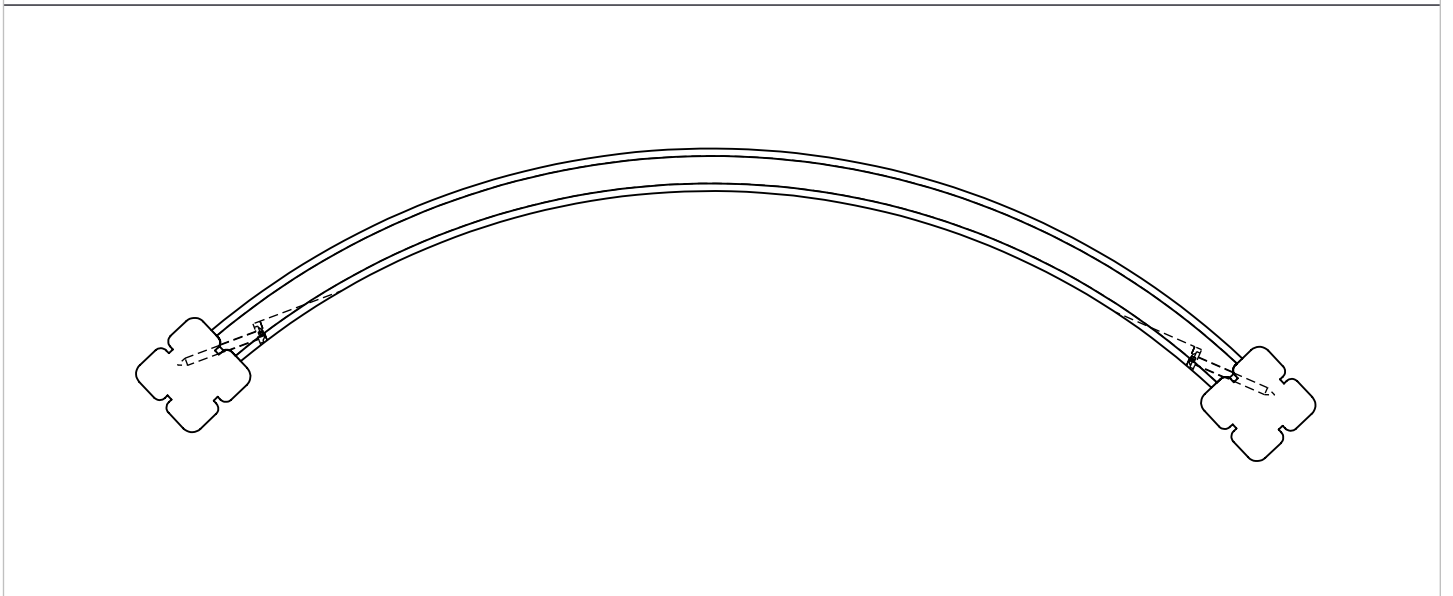
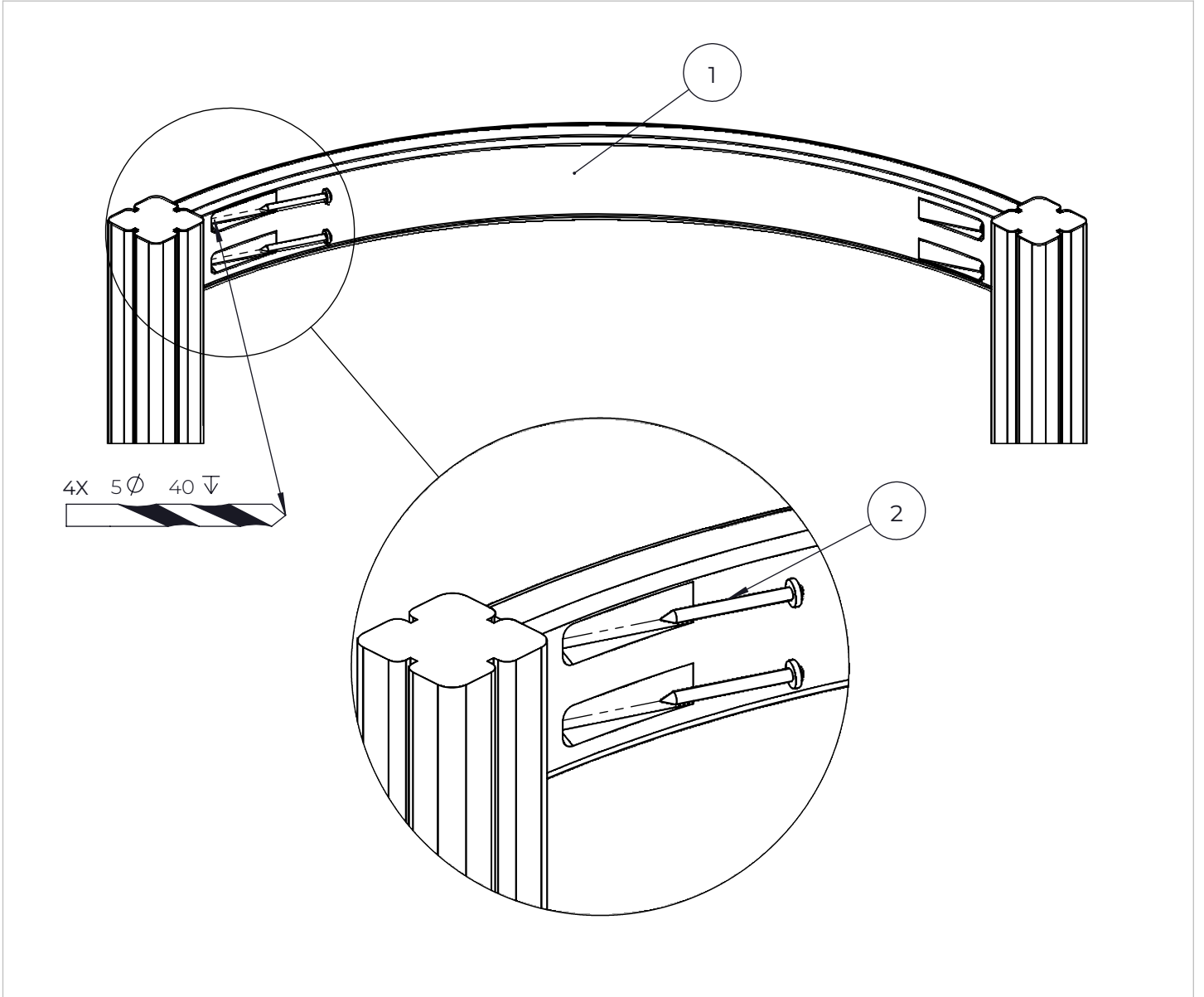
NO.	ITEM CODE			QTY.
1	980131	SCREW	Ø6x60	2
2	915379	TOP HAT COVER	67,5x67,6x34	1
3	915378	TOP HAT BASE	95x95x60	1



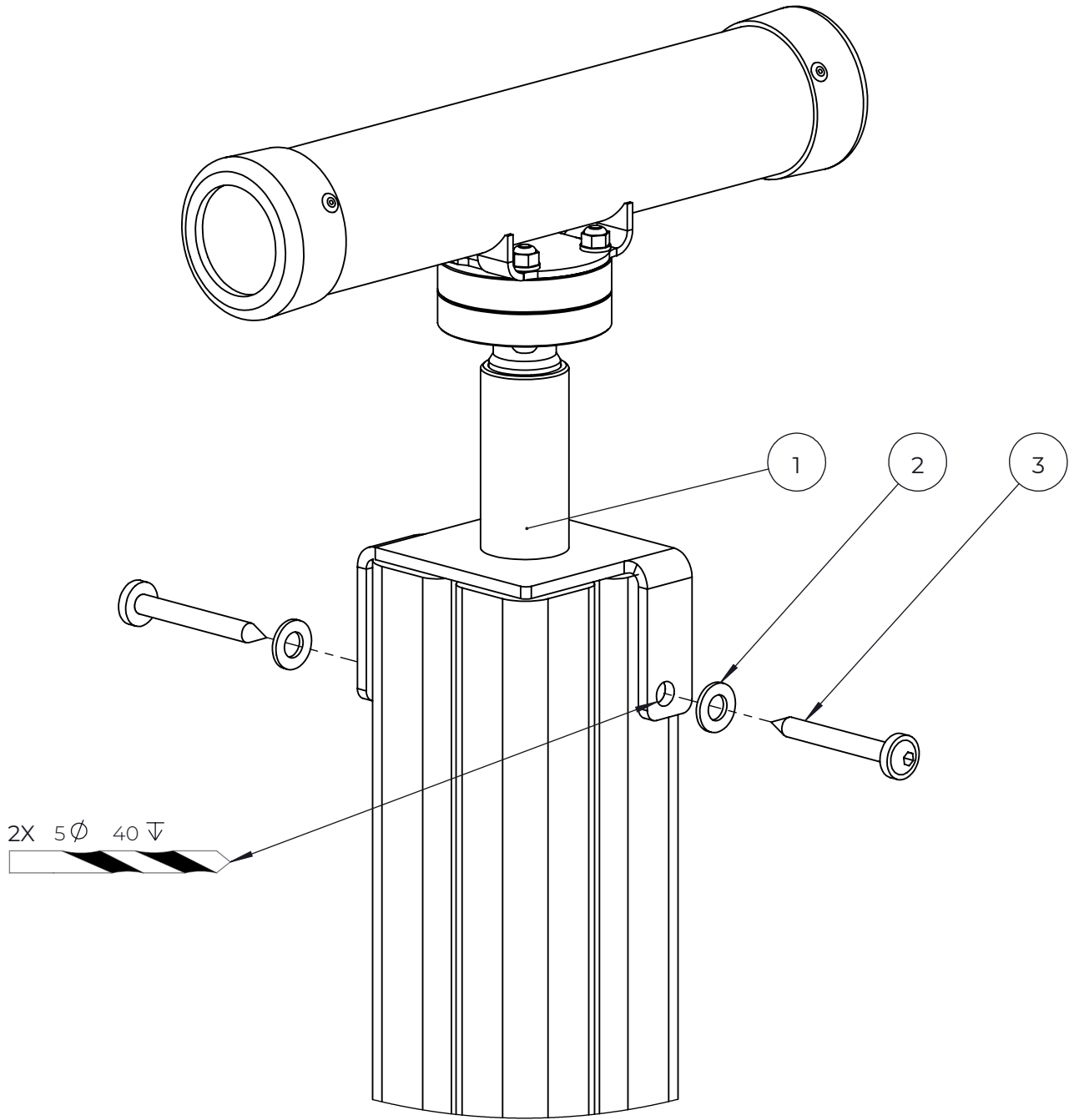
NO.	ITEM CODE			QTY.
1	702286	PRINTED LABEL	65x65	1
2	980114	SCREW	Ø4x20	4



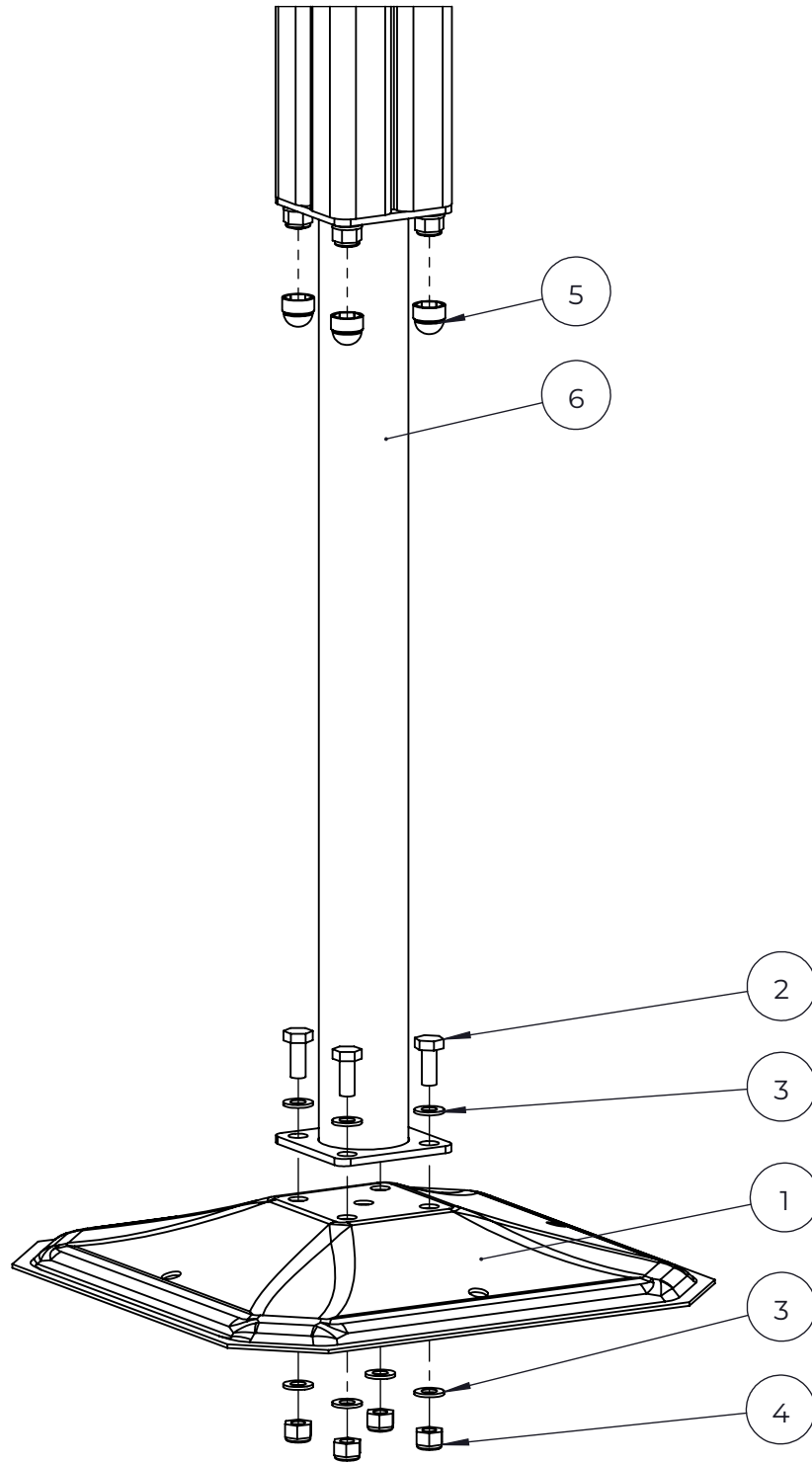
NO.	ITEM CODE			QTY.
1	702339	PRINTED LABEL	118x78	1
2	980114	SCREW	Ø4x20	4



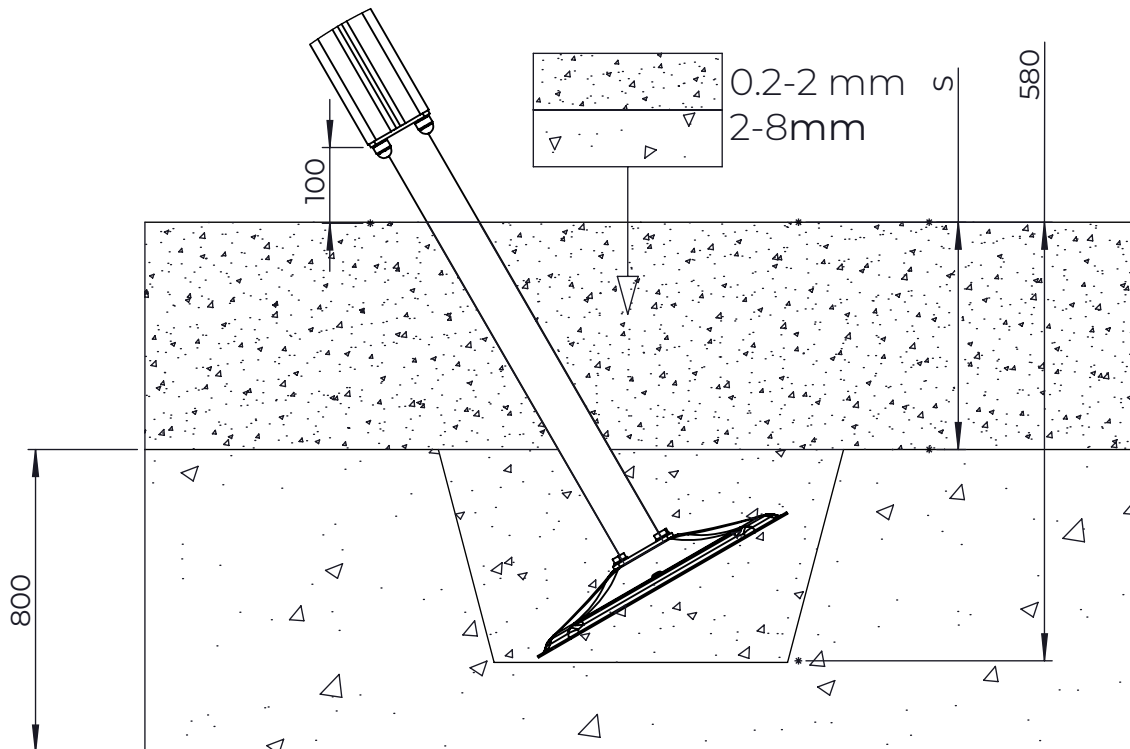
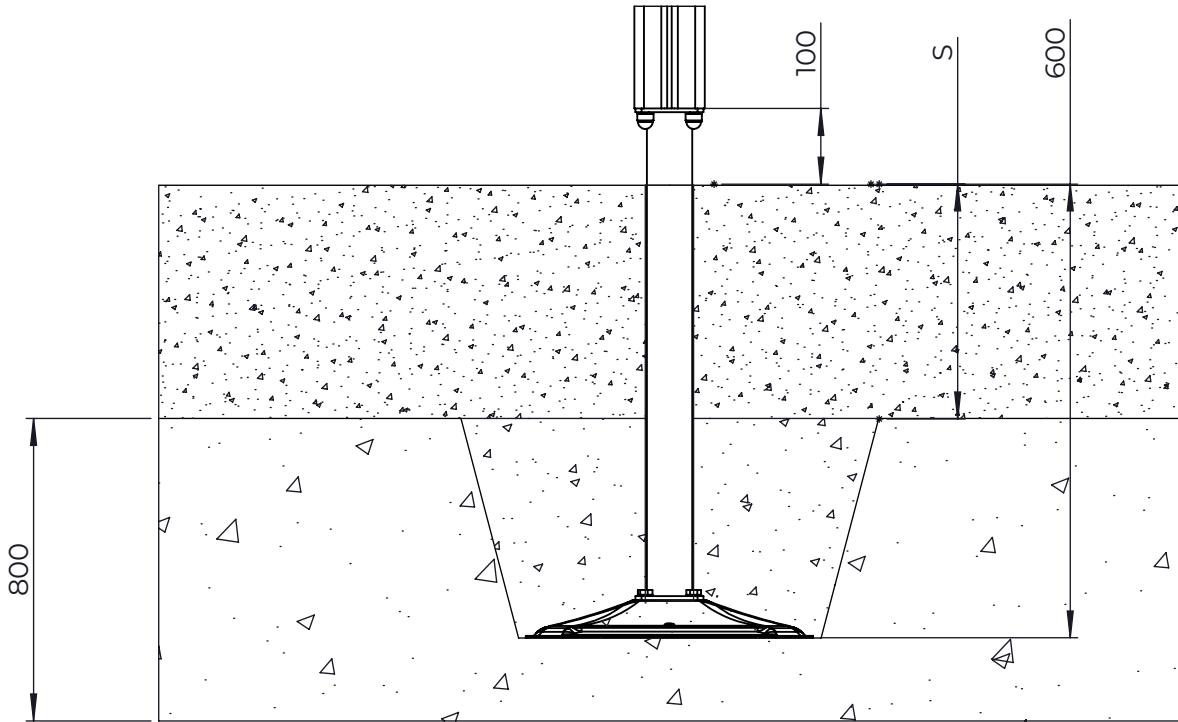
NO.	ITEM CODE			QTY.
1	711718	ARCH ELEMENT	45x120x1096	1
2	903093	SPECIAL SCREW	Ø8x90	4

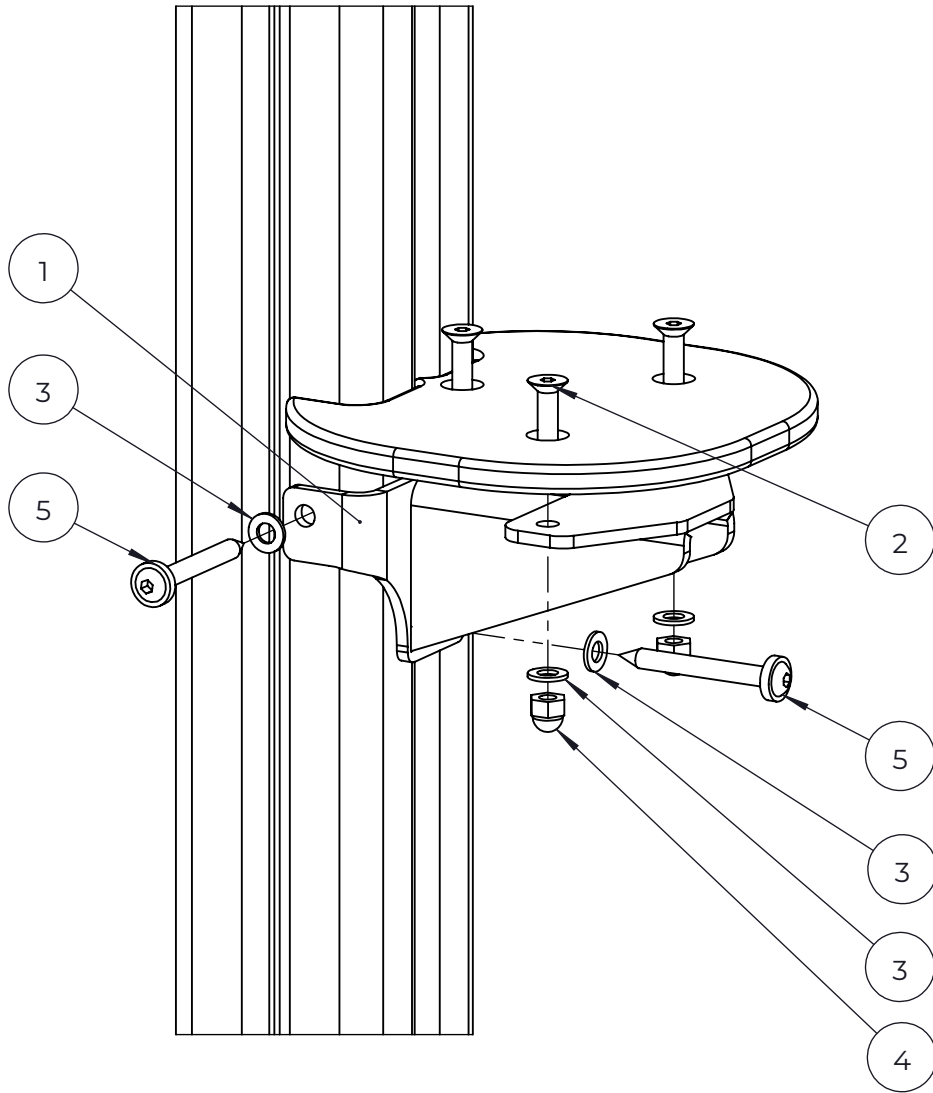


NO.	ITEM CODE			QTY.
1	707304	TELESCOPE		1
2	901302	WASHER	Ø20/10.5x2	2
3	900240	SPECIAL SCREW	Ø8x70	2

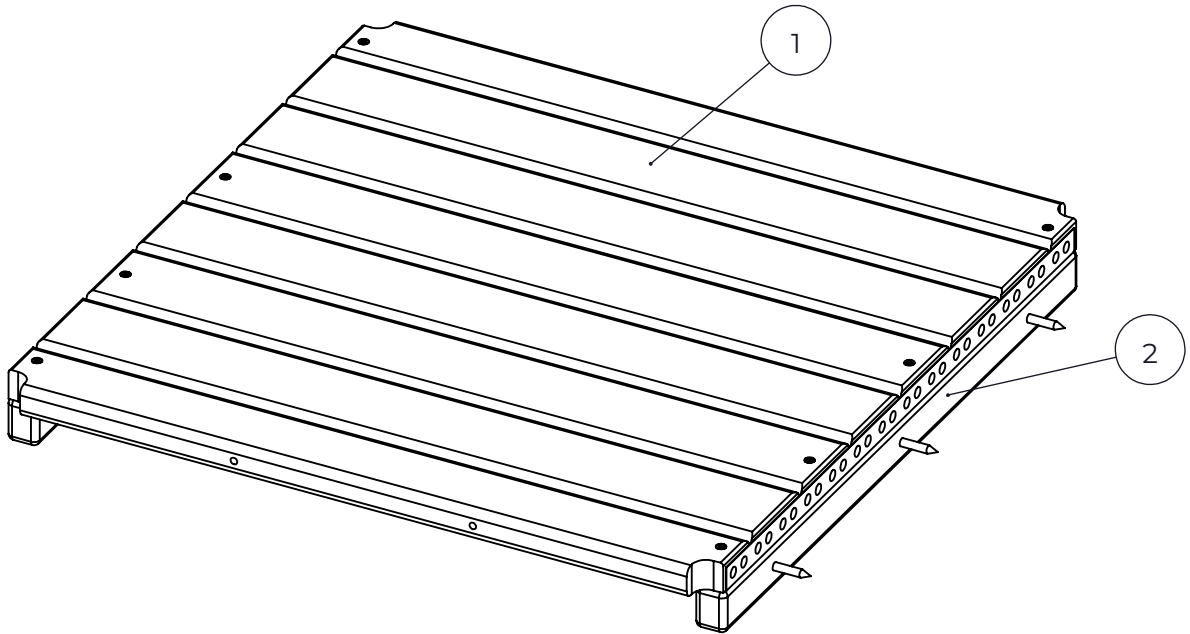


NO.	ITEM CODE			QTY.
1	909519	FOUNDATION PLATE	380 x 380 x 45	1
2	909639	BOLT	M10x25	4
3	909638	WASHER	Ø20 / 10.5	8
4	909637	NUT	M10	4
5	905104	OUTSIDE PLUG	M10	4
6	909511	FOUNDATION TUBE	90x90x650	1

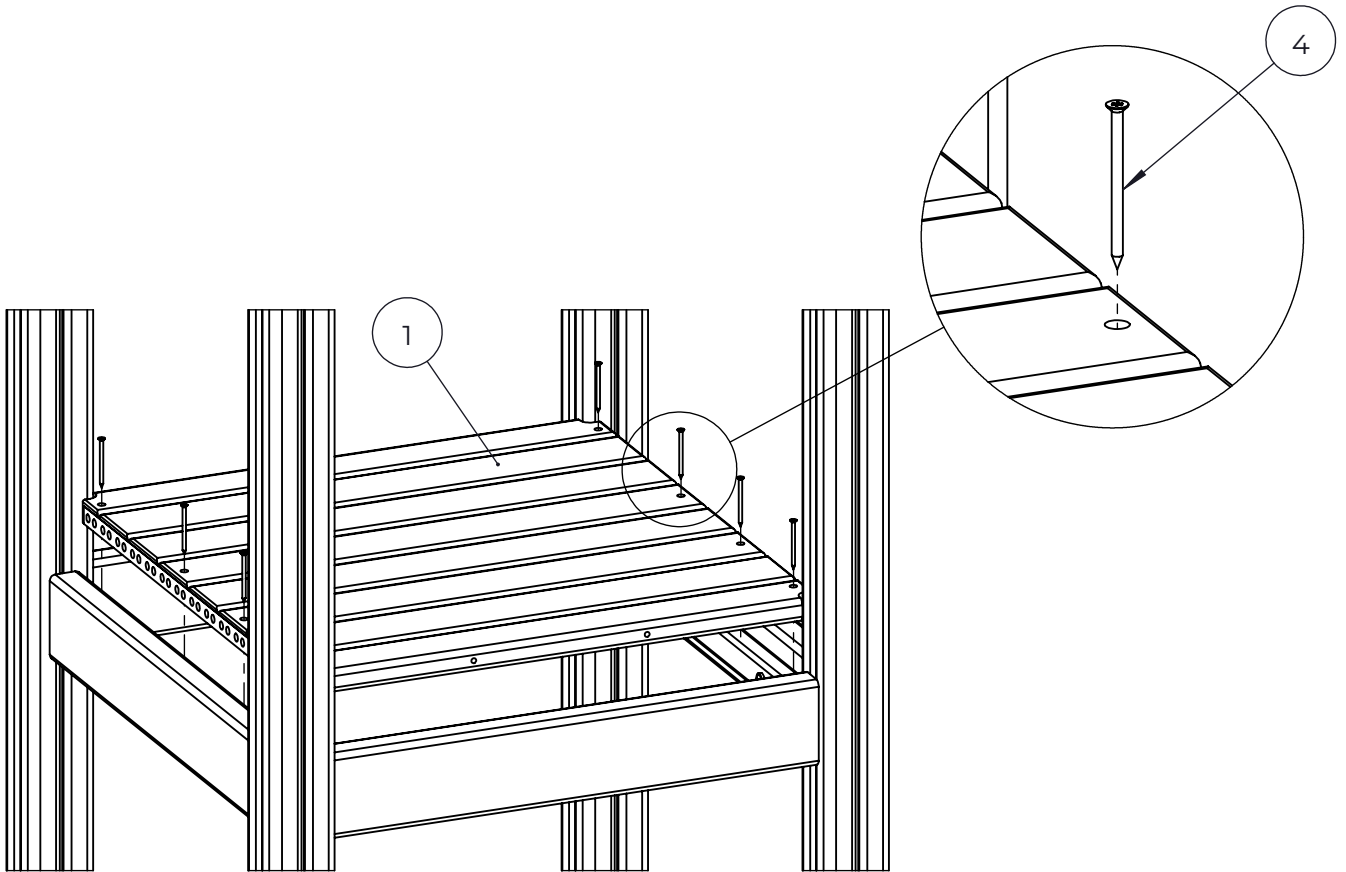
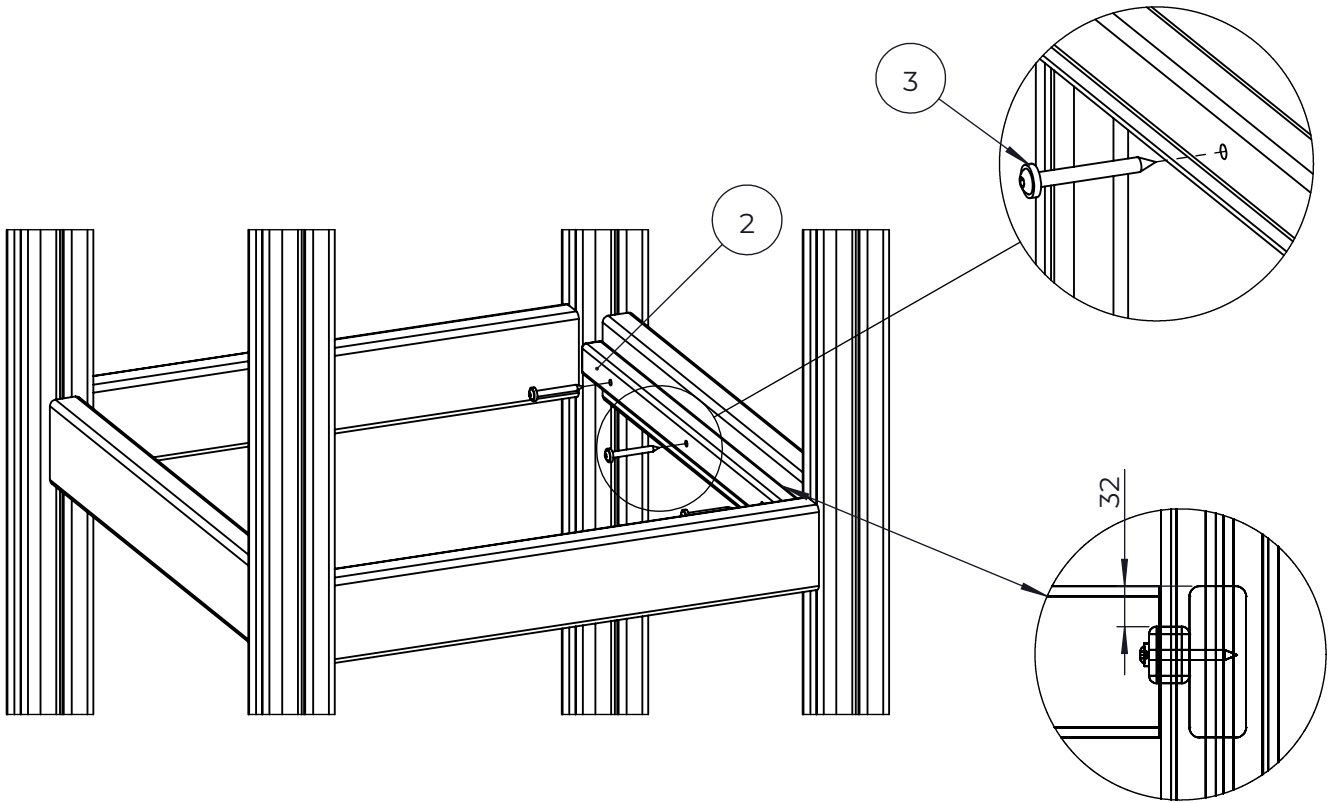


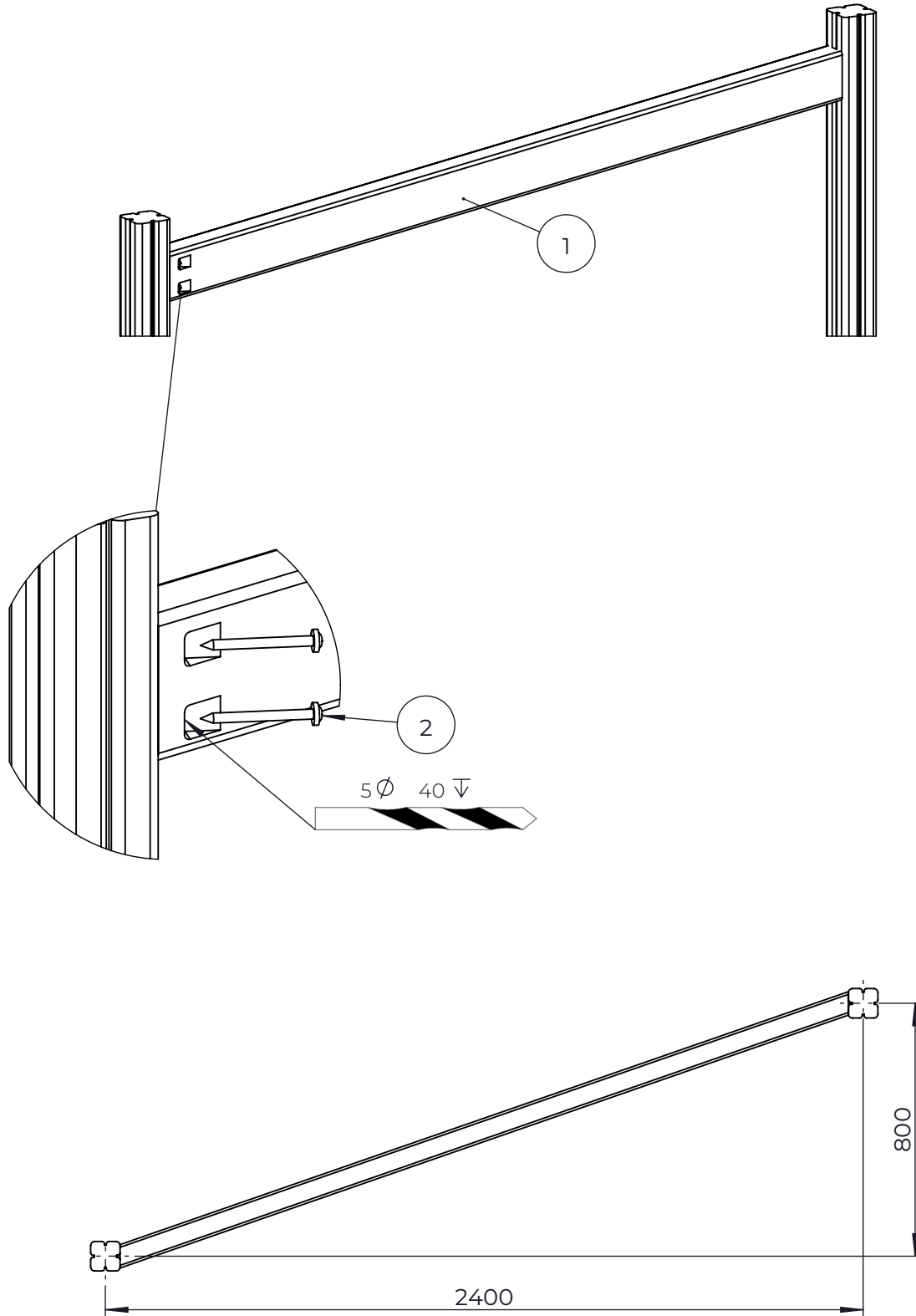


NO.	ITEM CODE			QTY.
1	914408	ATTACHMENT PIECE	75x130x165	1
2	900348	ALLEN SCREW	M8x30	3
3	909256	WASHER	Ø16/8.4x1.6	6
4	909633	NUT	M8	3
5	900240	SPECIAL SCREW	Ø8x70	3

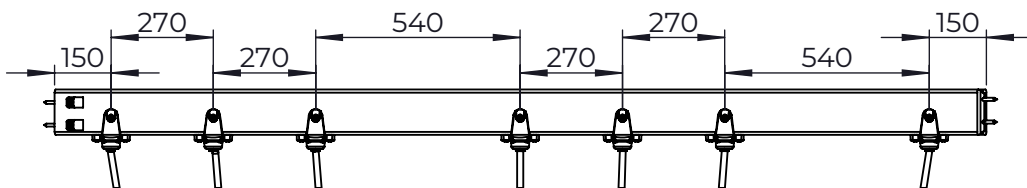
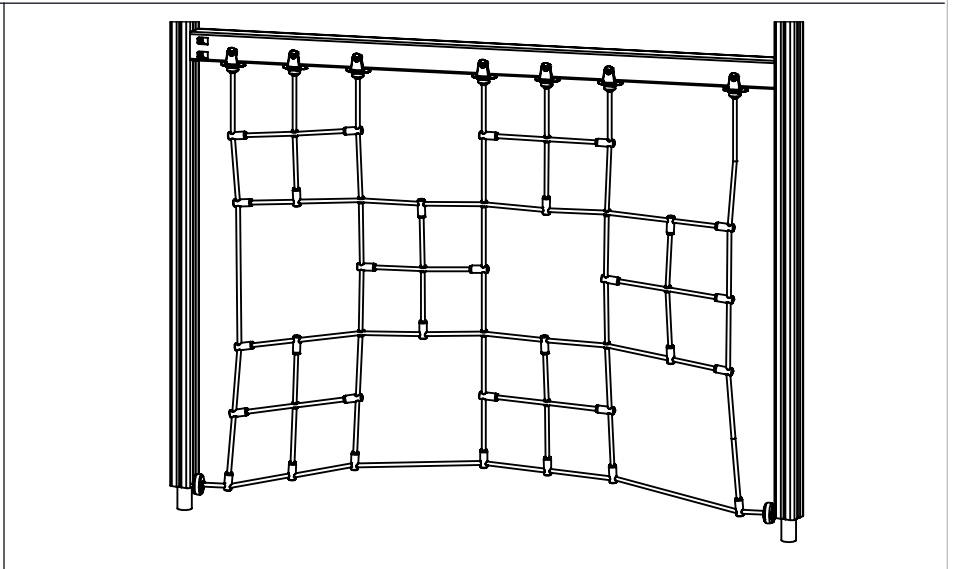
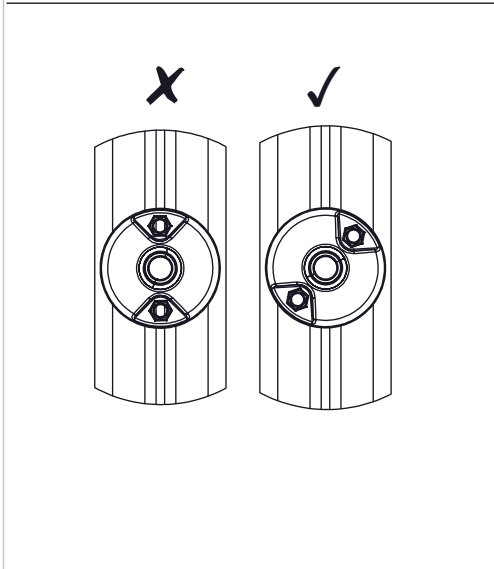
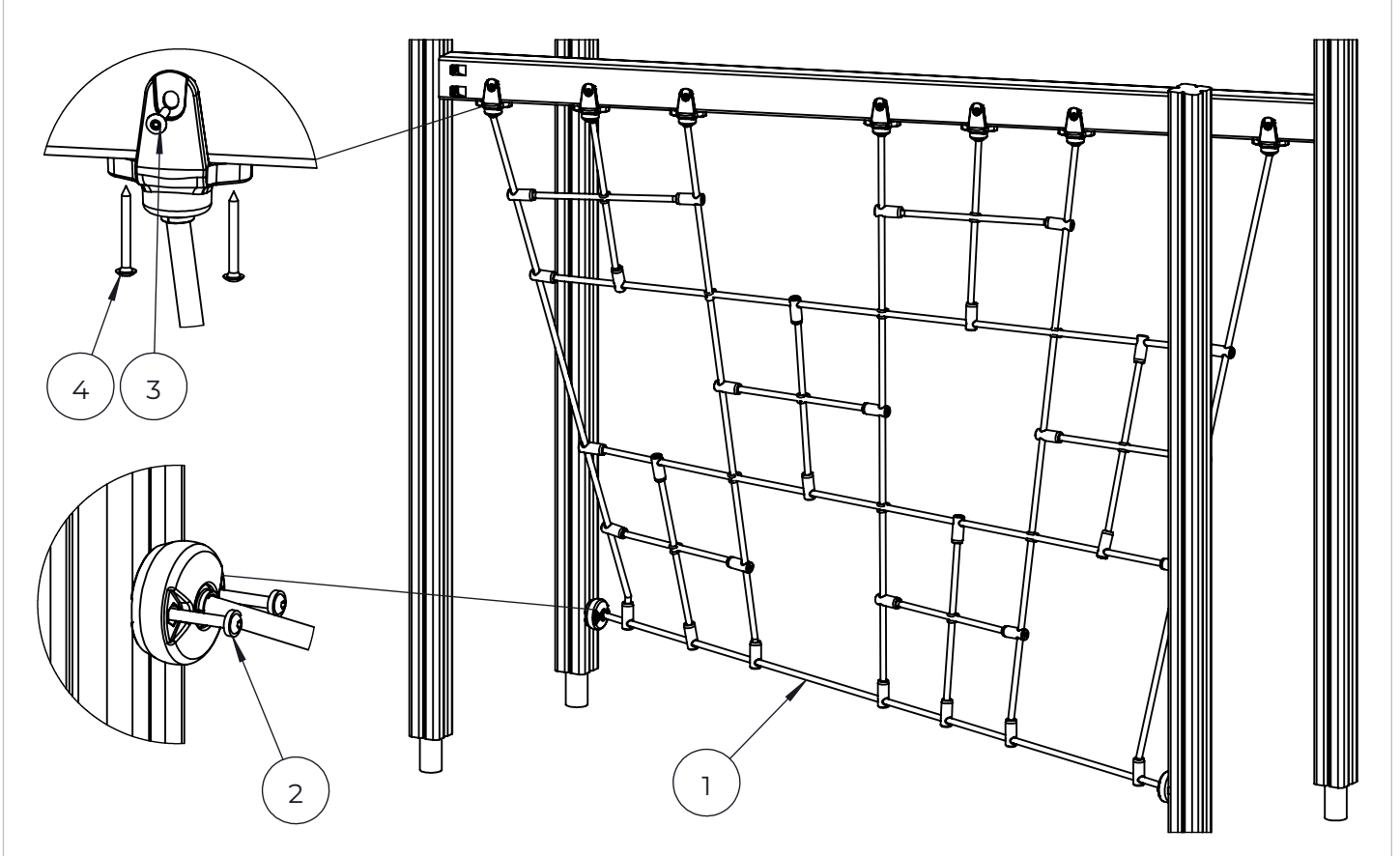


NO.	ITEM CODE			QTY.
1	712923	FLOOR ELEMENT	32x750x750	1
2	706443	STRIP	32x45x702	2
3	900240	SPECIAL SCREW	Ø8x70	6
4	980101	SCREW	Ø4.5x70	8

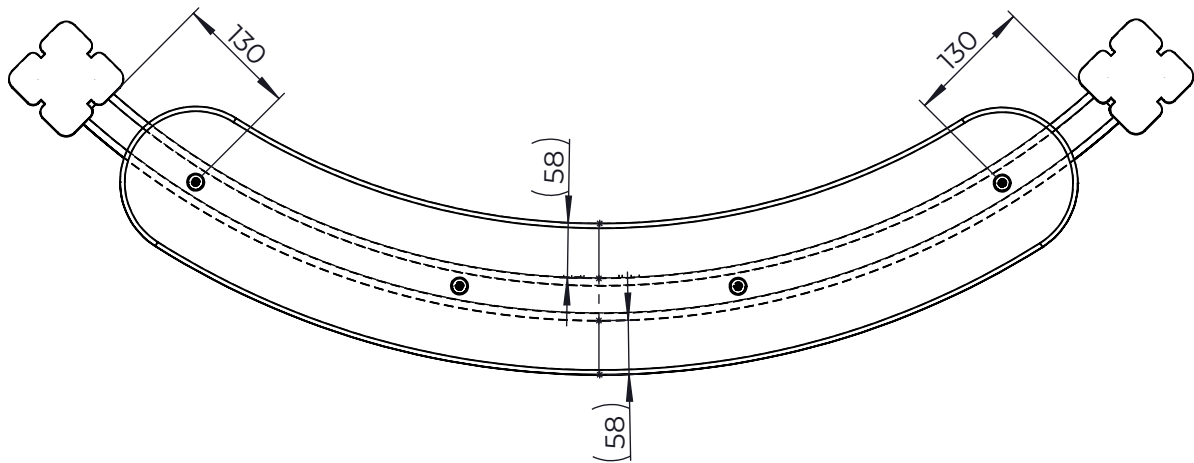
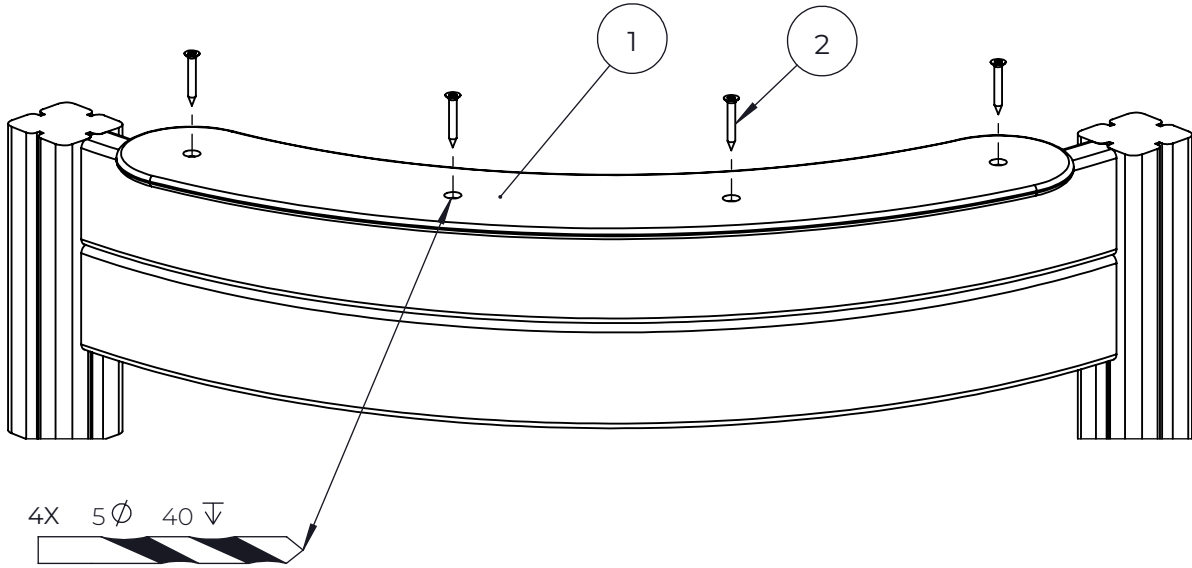




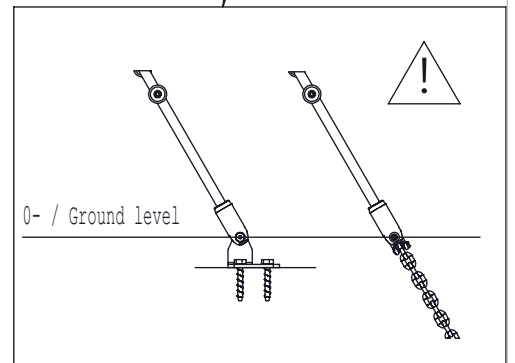
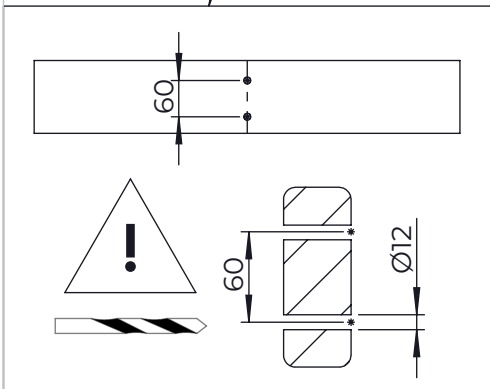
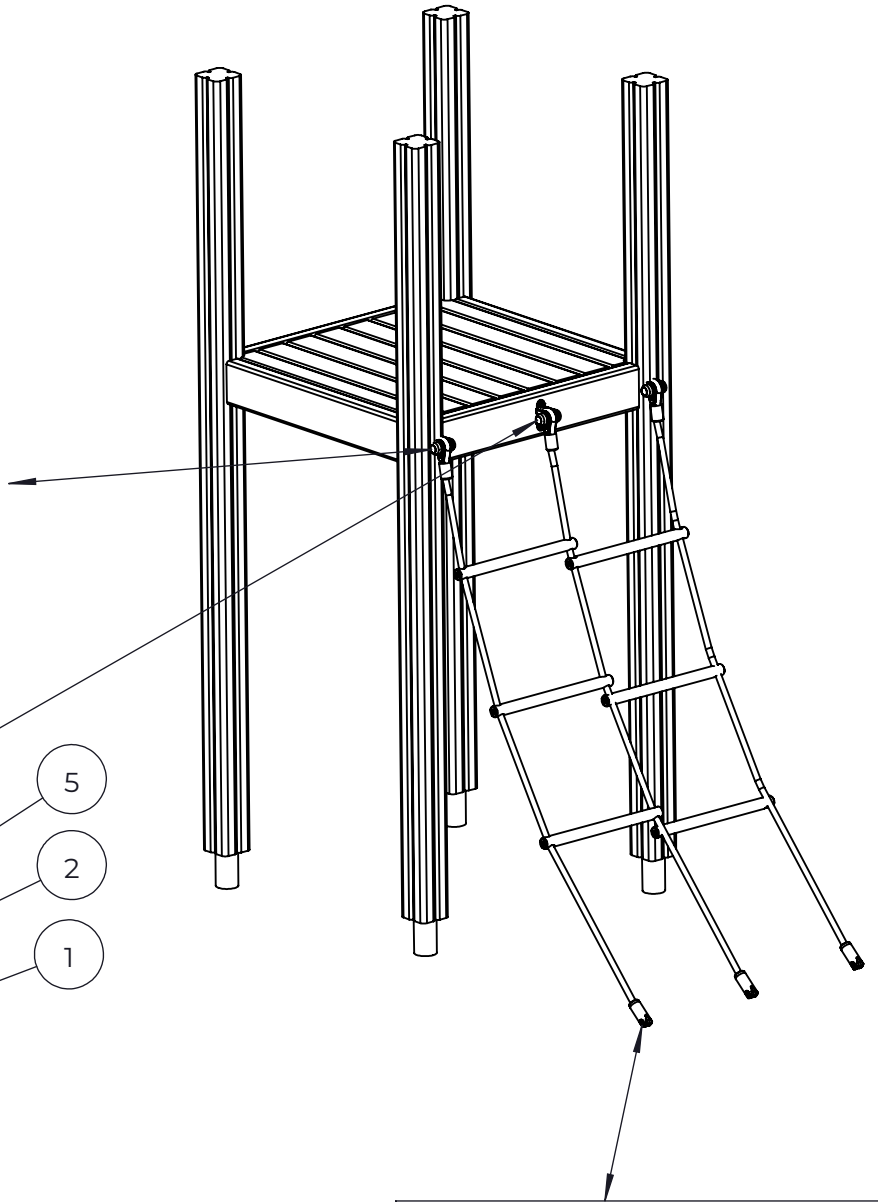
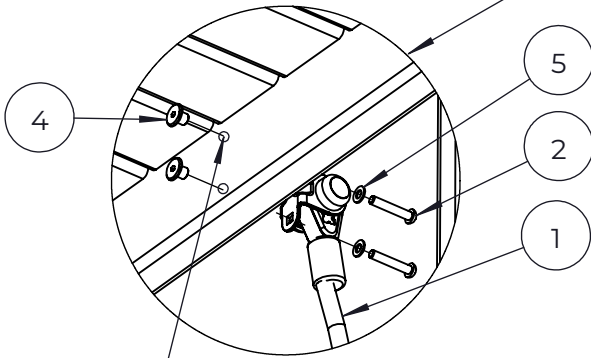
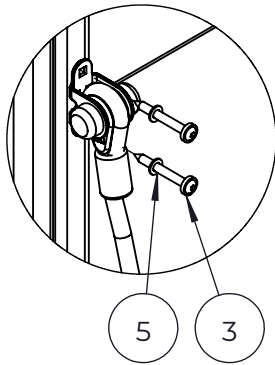
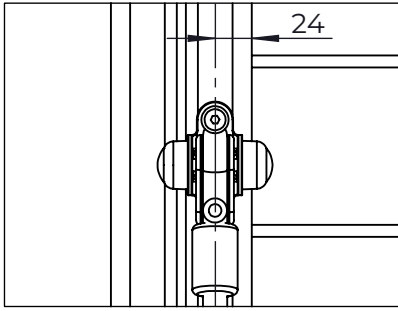
NO.	ITEM CODE			QTY.
1	707502	BOOM	70x120x2464	1
2	903093	SPECIAL SCREW	Ø8x90	4



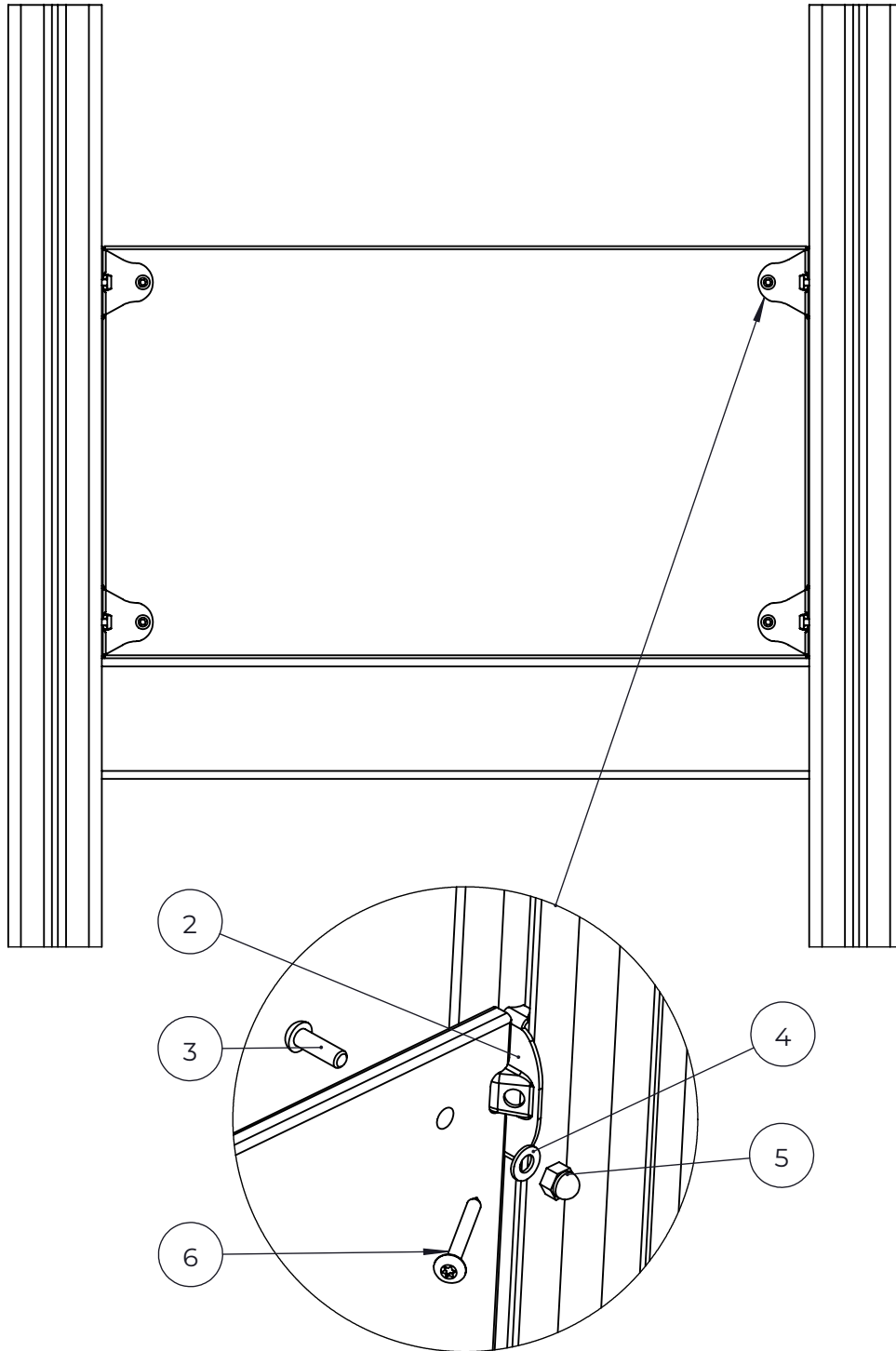
NO.	ITEM CODE			QTY.
1	711945	ROPE NET		1
2	900240	SPECIAL SCREW	Ø8x70	4
3	980128	SPECIAL SCREW	Ø7x40	7
4	980123	SPECIAL SCREW	Ø7x60	14



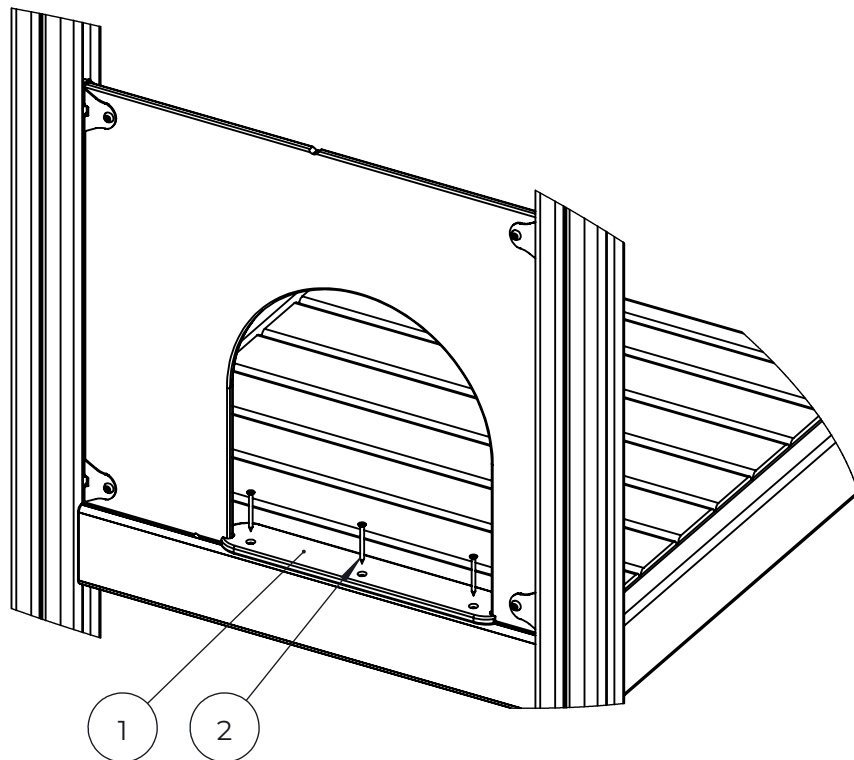
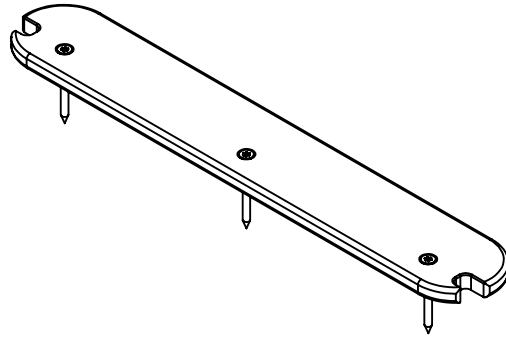
NO.	ITEM CODE			QTY.
1	711801	PLATE	12x283x1013	1
2	906630	SCREW	Ø8x60	4



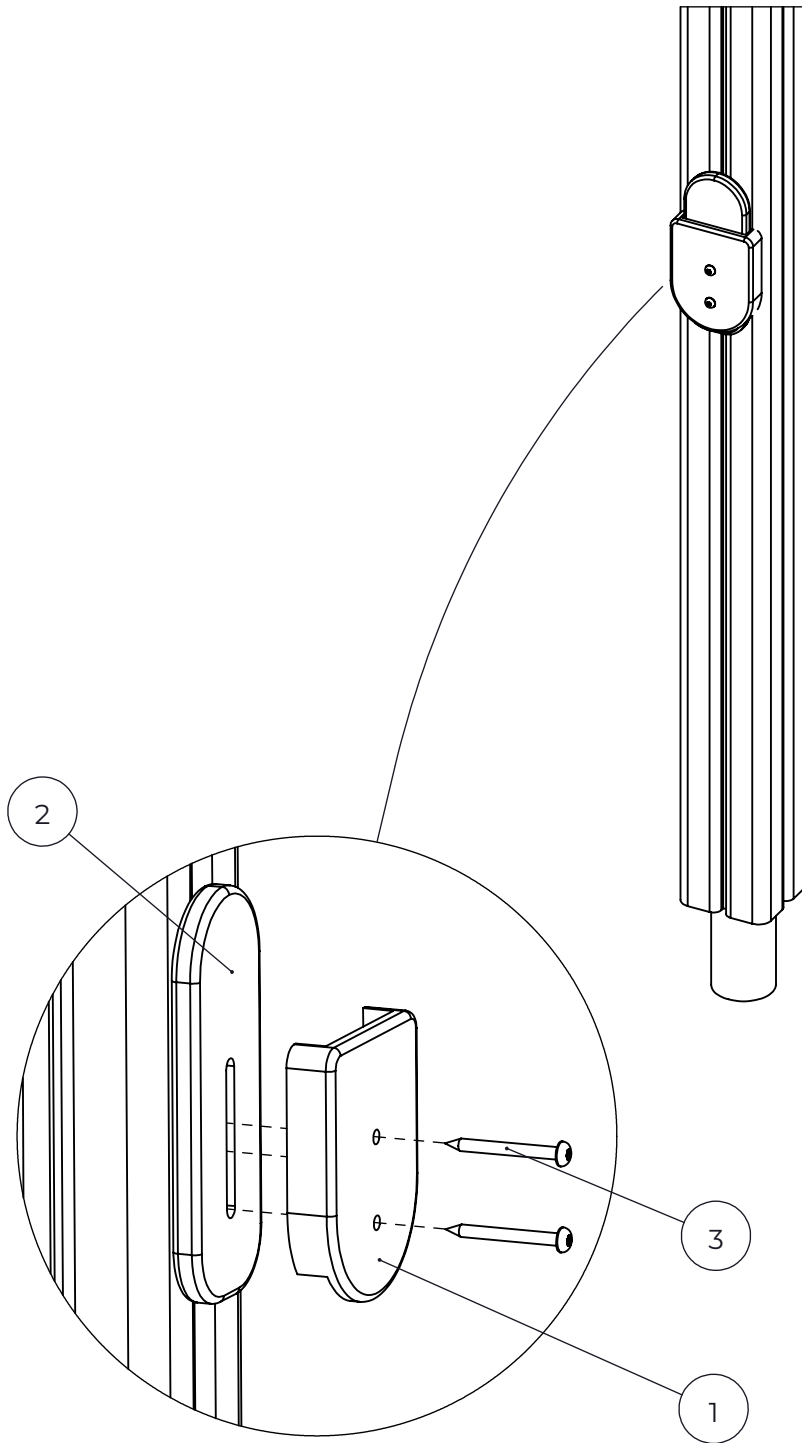
NO.	ITEM CODE			QTY.
1	713020	ROPE ELEMENT	+1470	1
2	901899	ALLEN SCREW	M8x45	2
3	900240	SPECIAL SCREW	Ø8x70	4
4	914858	SPECIAL NUT	M8x12	2
5	909256	WASHER	Ø16/8.4x1.6	6



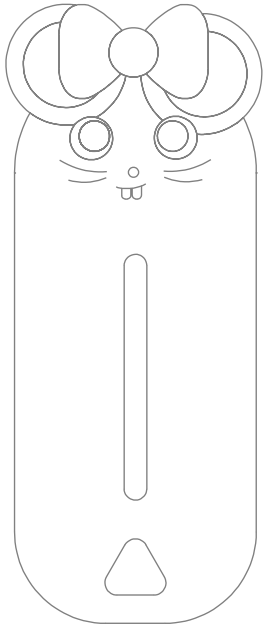
NO.	ITEM CODE			QTY.
2	903176	CLAMP		4
3	909850	ALLEN SCREW	M8x25	4
4	909256	WASHER	Ø16/8.4x1.6	4
5	909633	NUT	M8	4
6	980123	SPECIAL SCREW	Ø7x60	4



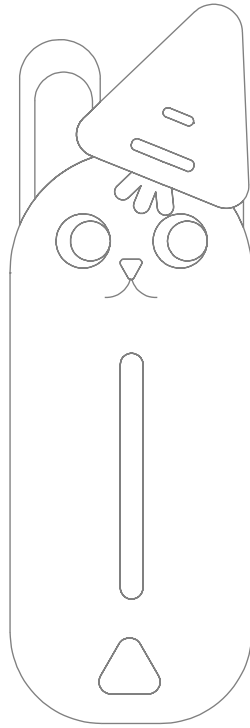
NO.	ITEM CODE			QTY.
1	713010	SILL PLATE	12x70x436	1
2	980100	COUNTERSUNK SCREW	Ø5 x 60	3



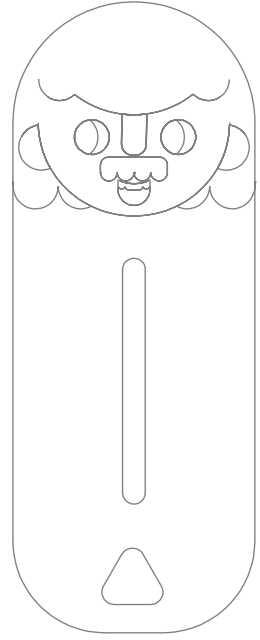
NO.	ITEM CODE			QTY.
1	712713	PLATE	20x86x110	1
2	914899	PLATE	-	1
3	980135	SCREW	Ø5x50	2



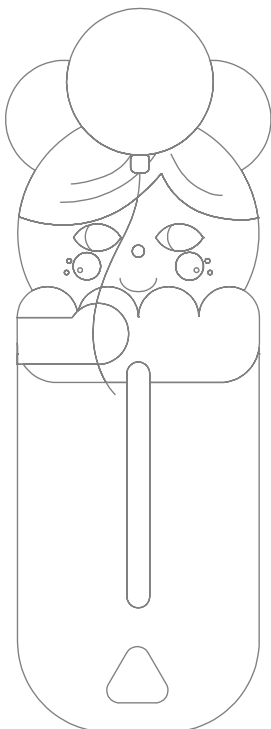
713251



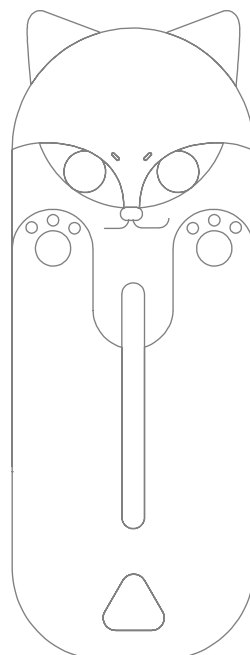
713250



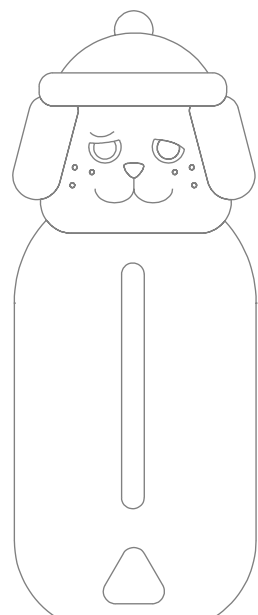
713249



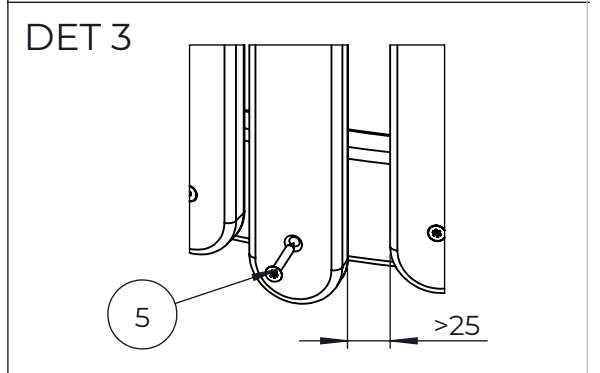
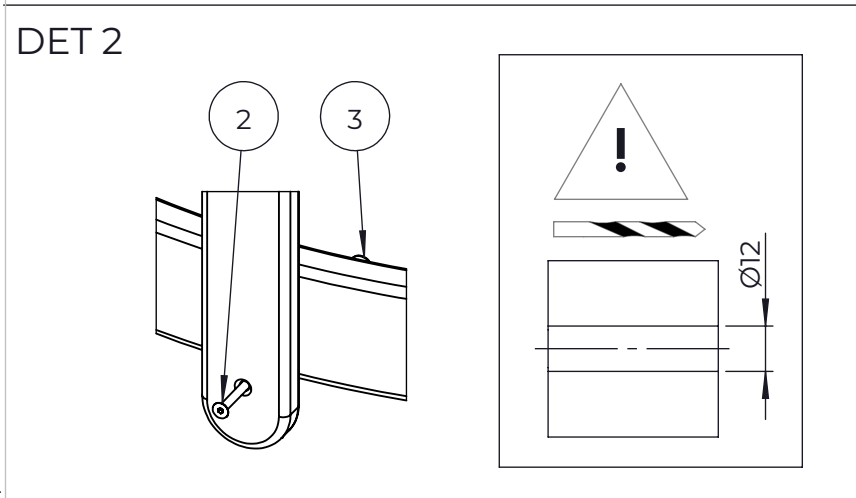
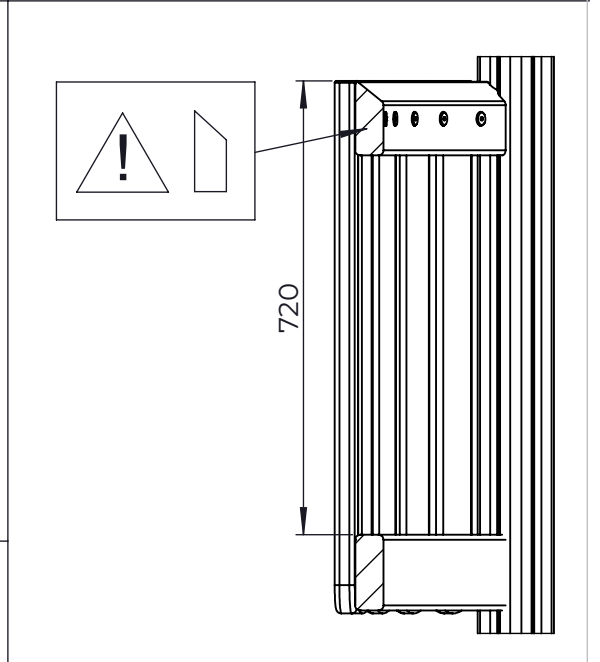
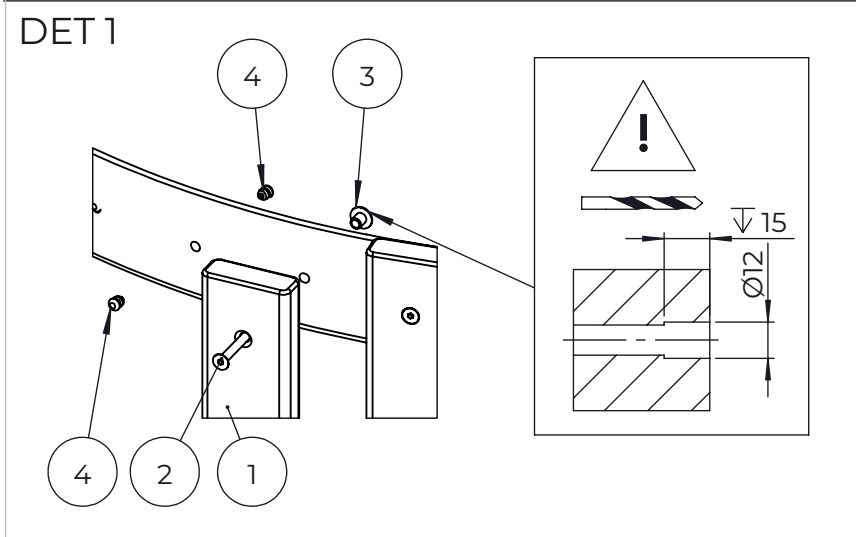
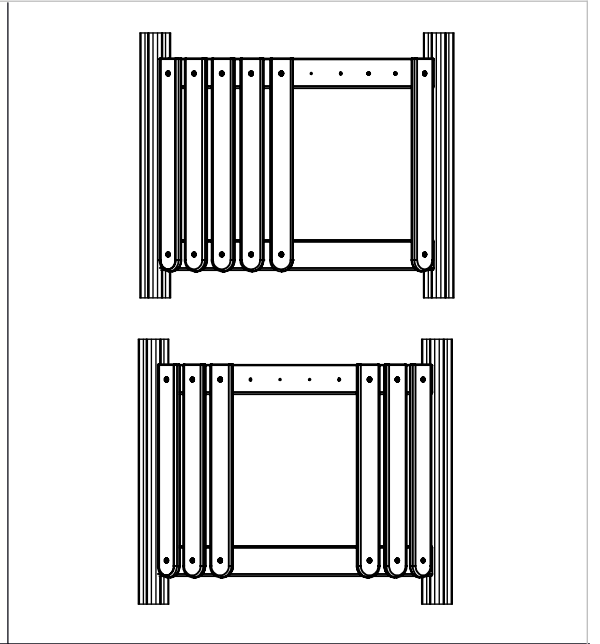
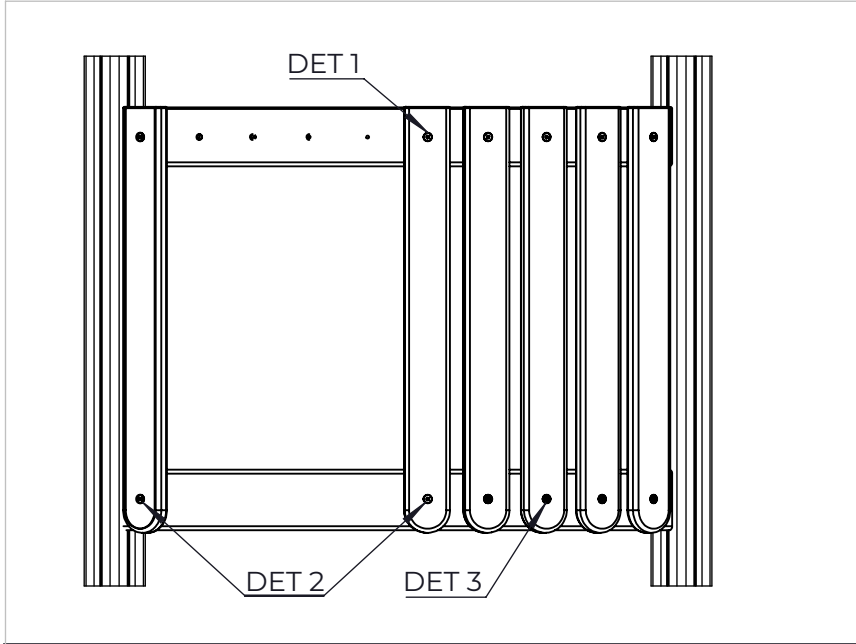
713248



713247



713246



NO.	ITEM CODE			QTY.
1	710471	LATH	32x95x845	6
2	911808	COUNTERSUNK SCREW	M8x70	8
3	914858	SPECIAL NUT	M8x12	8
4	903533	PEITETULPPA	Ø9	8
5	906630	SCREW	Ø8x60	4