

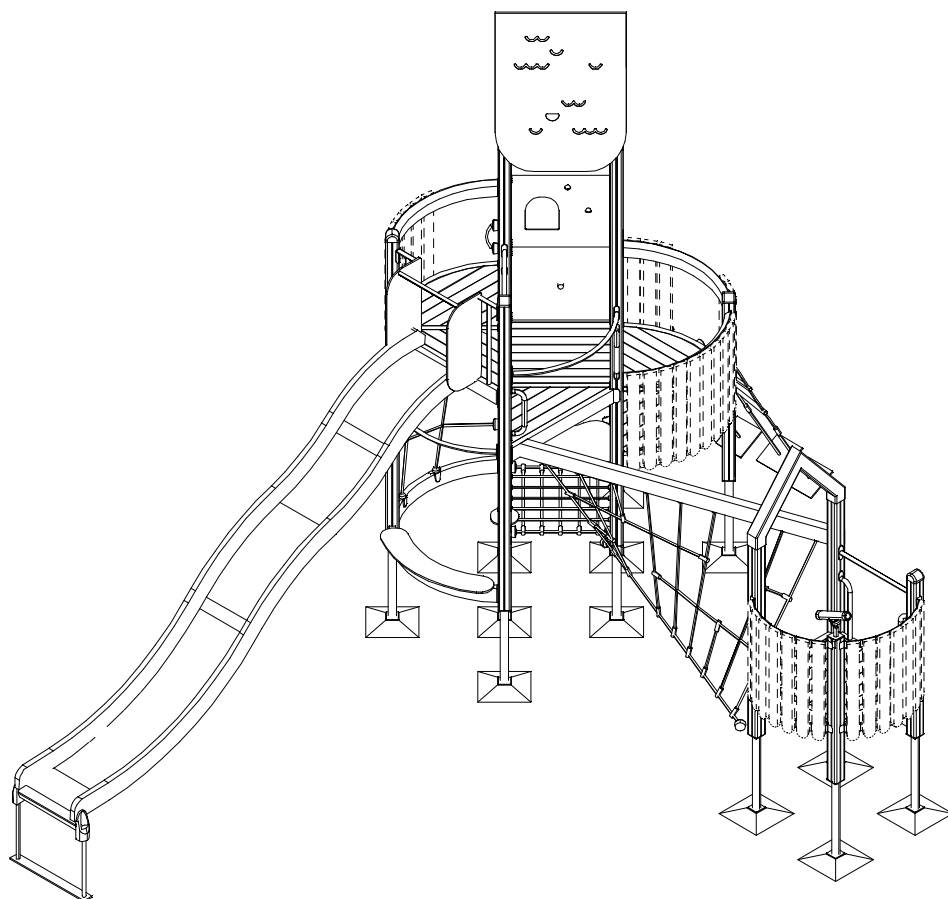
LAPPSET®

PRIME

ASENNUSOHJE
MONTERINGSANSVISNING
INSTALLATION INSTRUCTION
AUFBAUANLEITUNG
NOTICE D'INSTALLATION

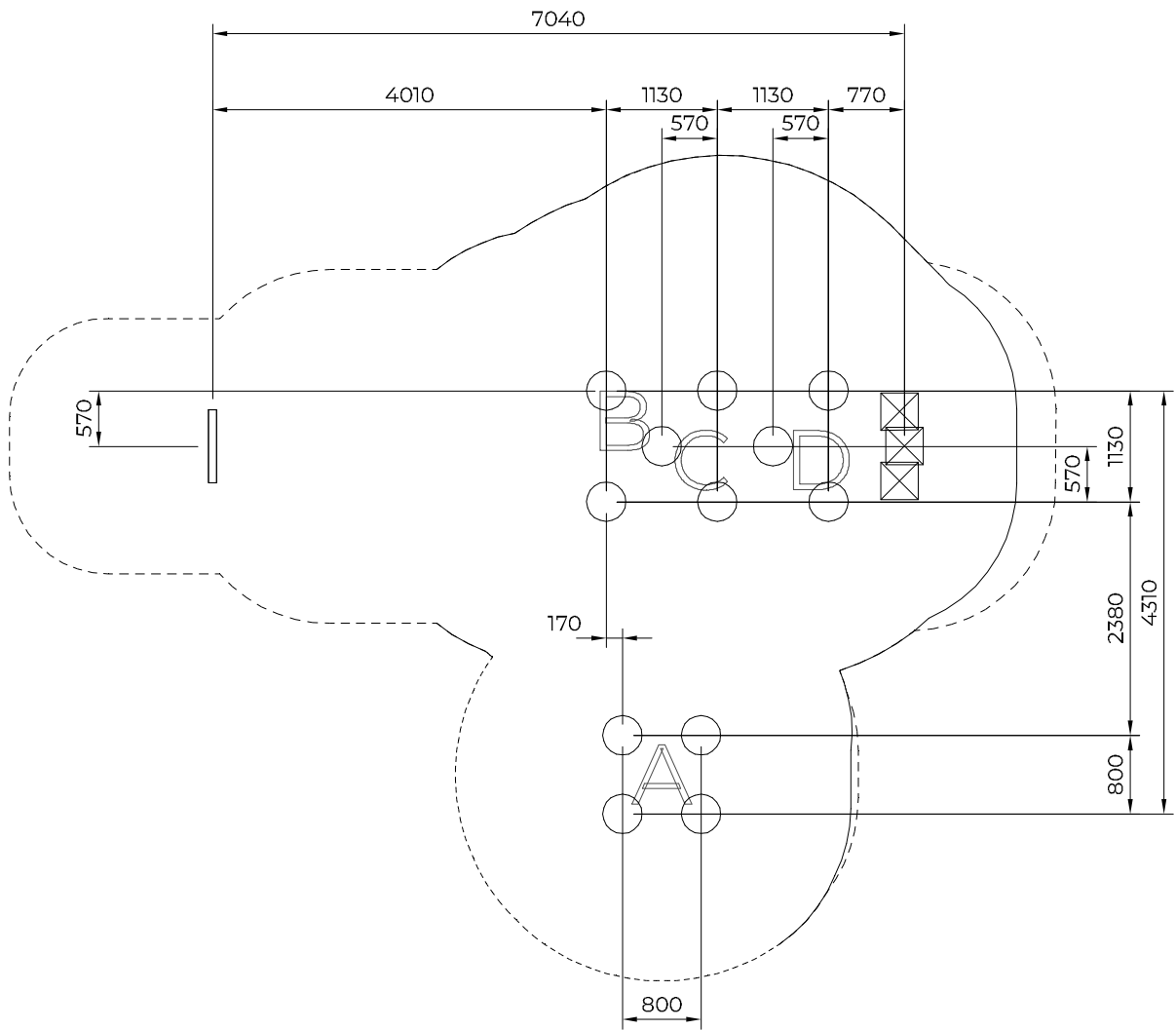
DATE: 18.3.2026

F24111M

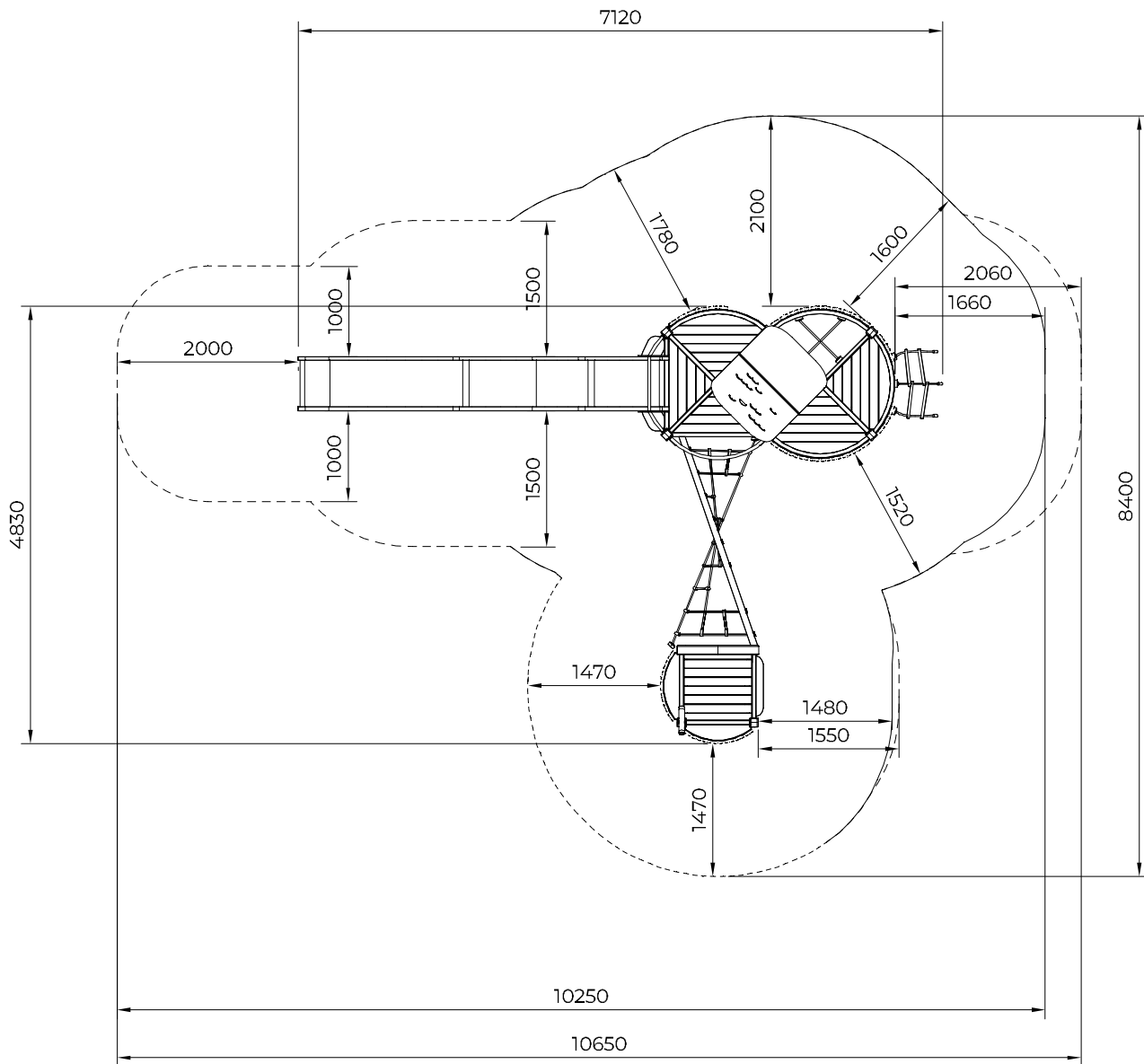
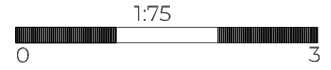


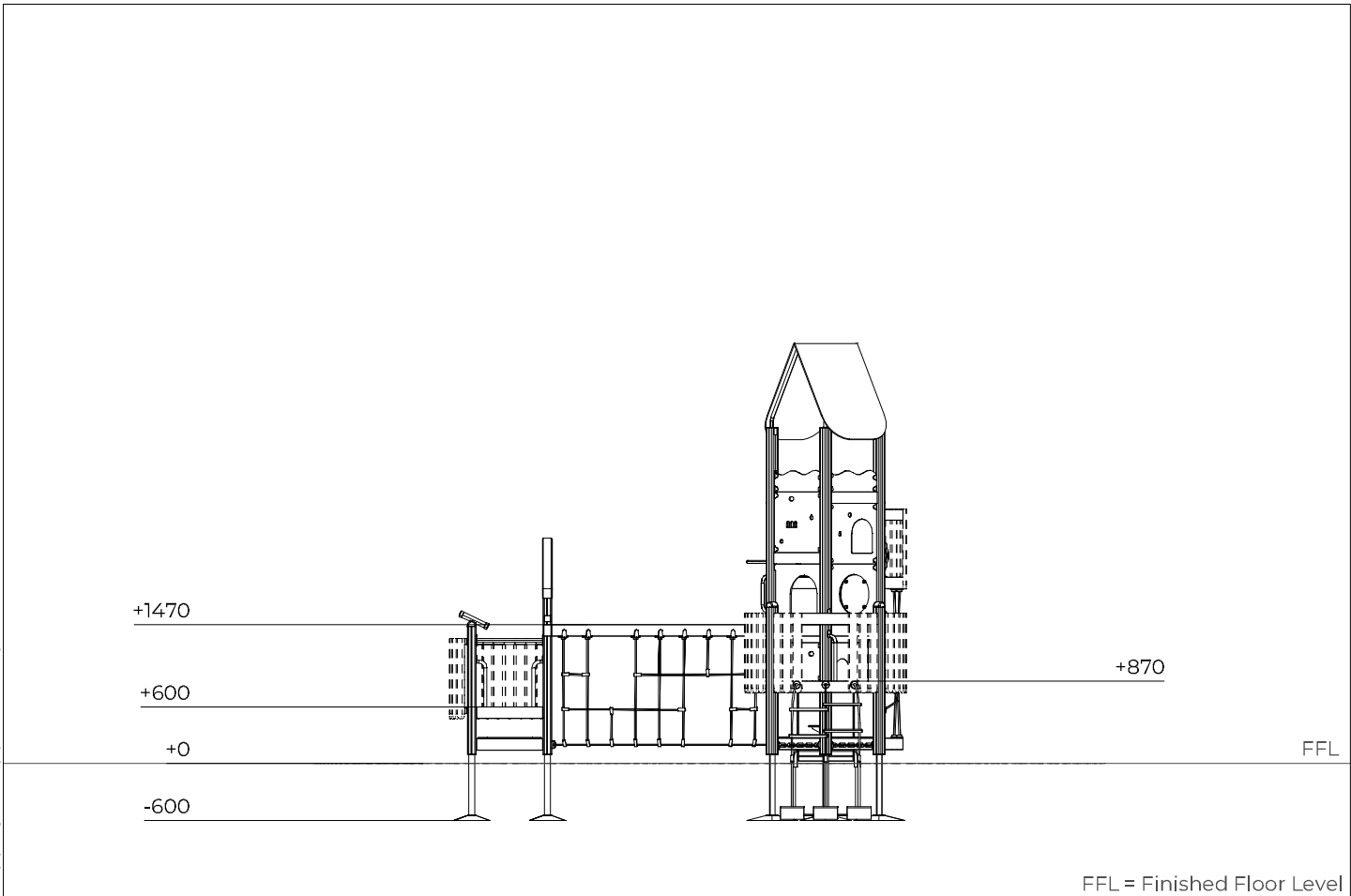
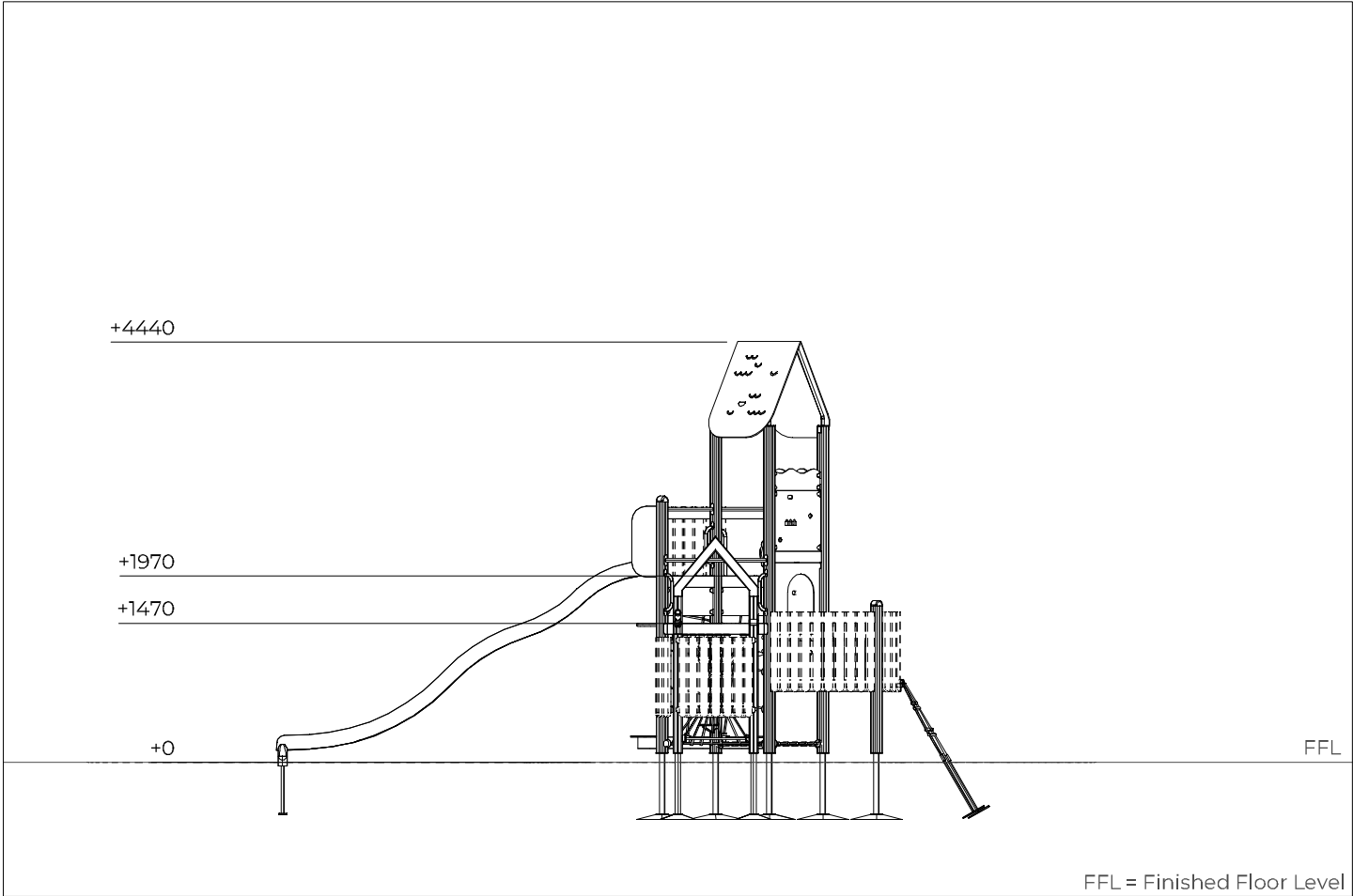
710468-001	PCS 3	712007	PCS 1	712028-001	PCS 1	712029-001	PCS 1	712031-001	PCS 2	712032-001	PCS 2
				L 1250		L 1350		L 1550		L 1650	
712042-001	PCS 2	712050-001	PCS 4	712219	PCS 1	712397	PCS 1	712407	PCS 4	712430	PCS 2
L 2650		L 3450									
712433	PCS 1	712458	PCS 1	712460	PCS 1	712497	PCS 1	712499	PCS 1	712517-001	PCS 2
712600	PCS 5	712629-001	PCS 2	712655	PCS 1	712724-001	PCS 4	712730	PCS 3	712743	PCS 1
						L 1096					
712747-001	PCS 19	712752	PCS 3	712780	PCS 4	712788	PCS 5	712796	PCS 1	712797	PCS 1
L 704				L 704							
712798	PCS 1	712819-001	PCS 6	712820	PCS 1	712871	PCS 1	712889	PCS 12	712910	PCS 1
								L 700			
712922-001	PCS 2	712941-001	PCS 2	712943-001	PCS 2	712952	PCS 1	712954	PCS 2	712962	PCS 1
				L 1030							

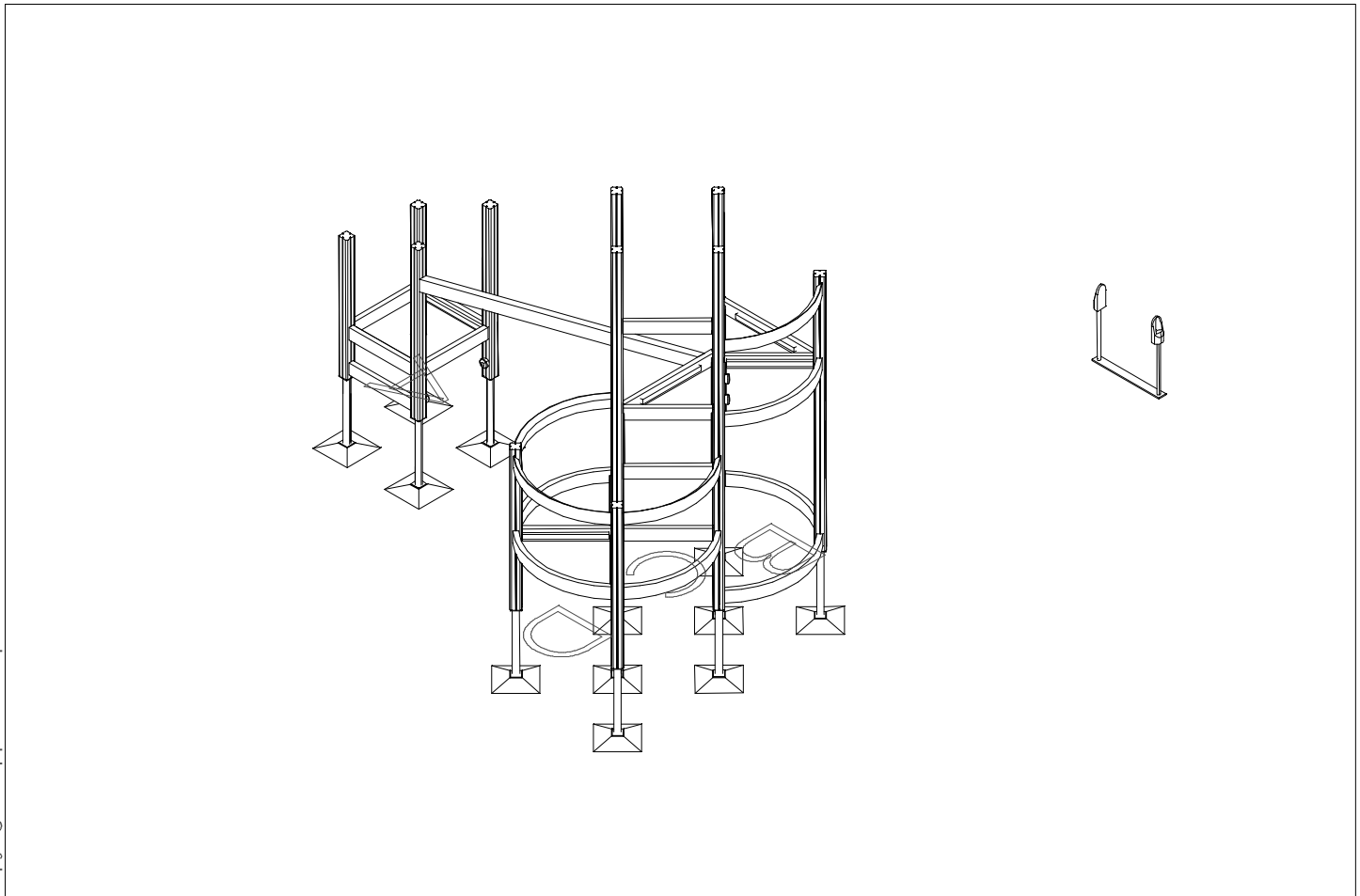
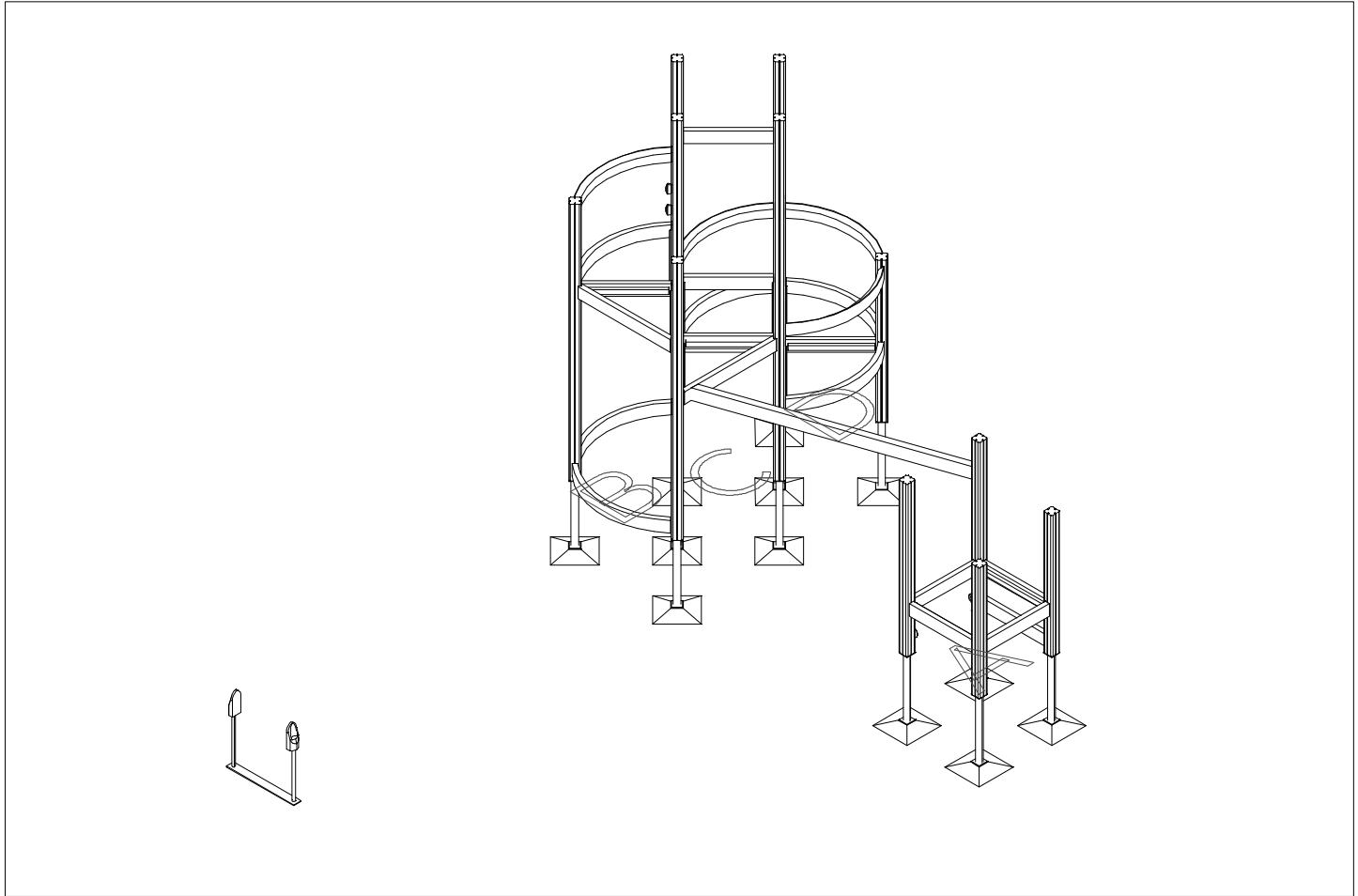
712974	PCS 1	712999	PCS 1	713003	PCS 2	713029-001	PCS 1	713087	PCS 1	713088	PCS 1
							L 2440				
713090	PCS 1	713110-001	PCS 1	713174	PCS 1	713196	PCS 1	713212	PCS 1	713352-001	PCS 2
			+1970								
	PCS		PCS		PCS		PCS		PCS		PCS
	PCS		PCS		PCS		PCS		PCS		PCS
	PCS		PCS		PCS		PCS		PCS		PCS
	PCS		PCS		PCS		PCS		PCS		PCS
	PCS		PCS		PCS		PCS		PCS		PCS




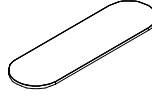
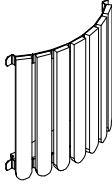




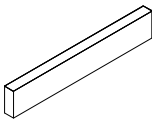
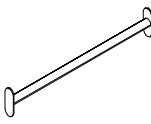
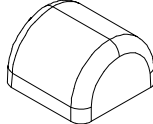
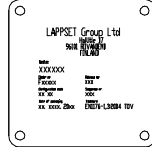
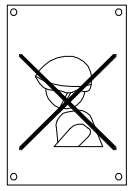
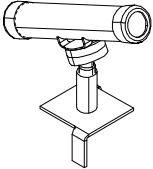






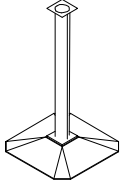
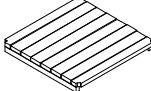
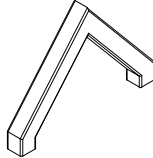







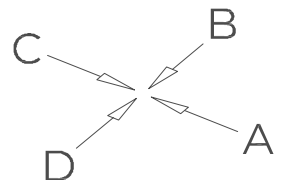
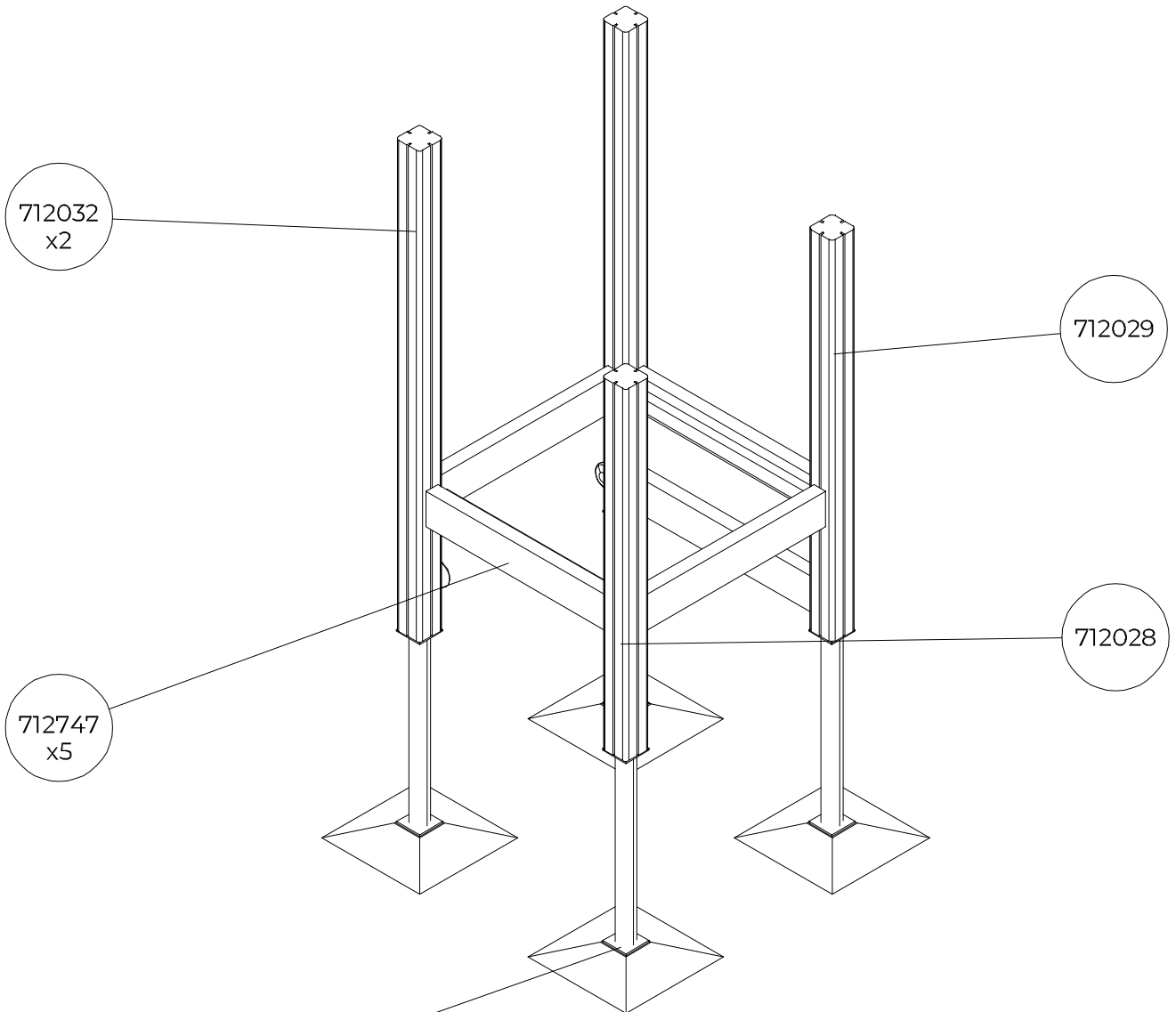
- EN/AS Impact Area 50 m²
- - - Falling Space 51 m²
Max Falling Height 1970 mm

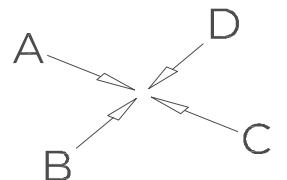
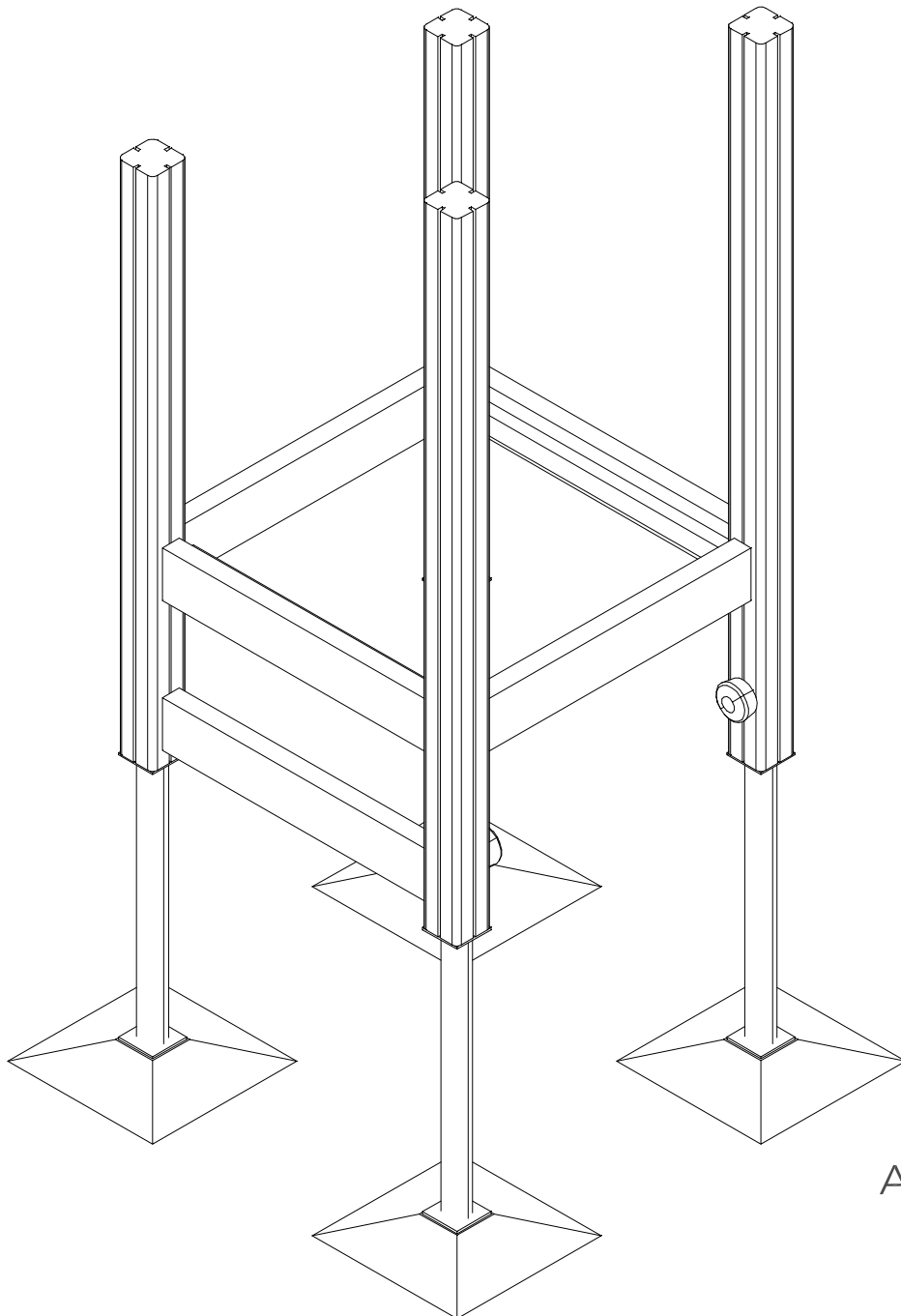


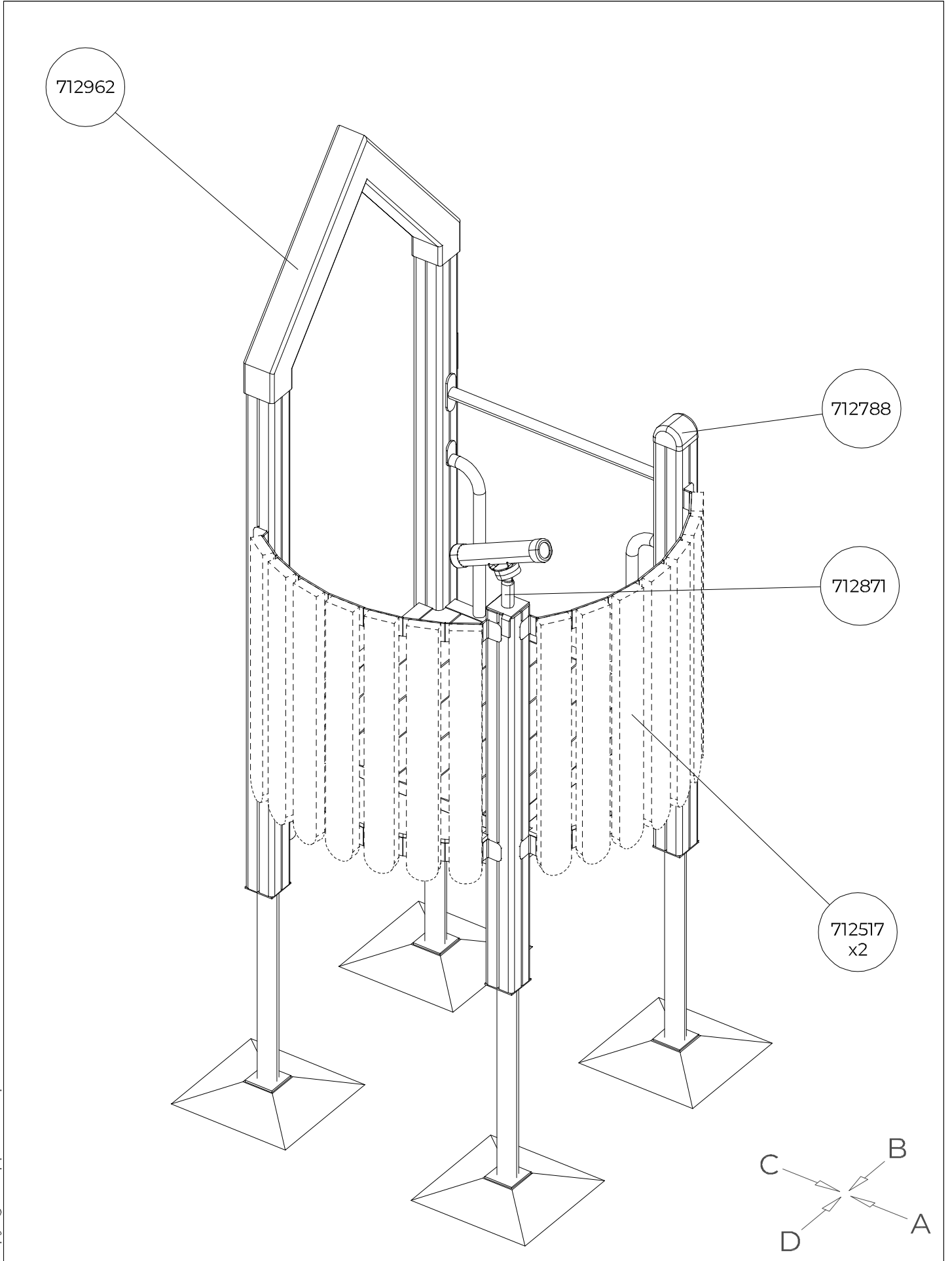


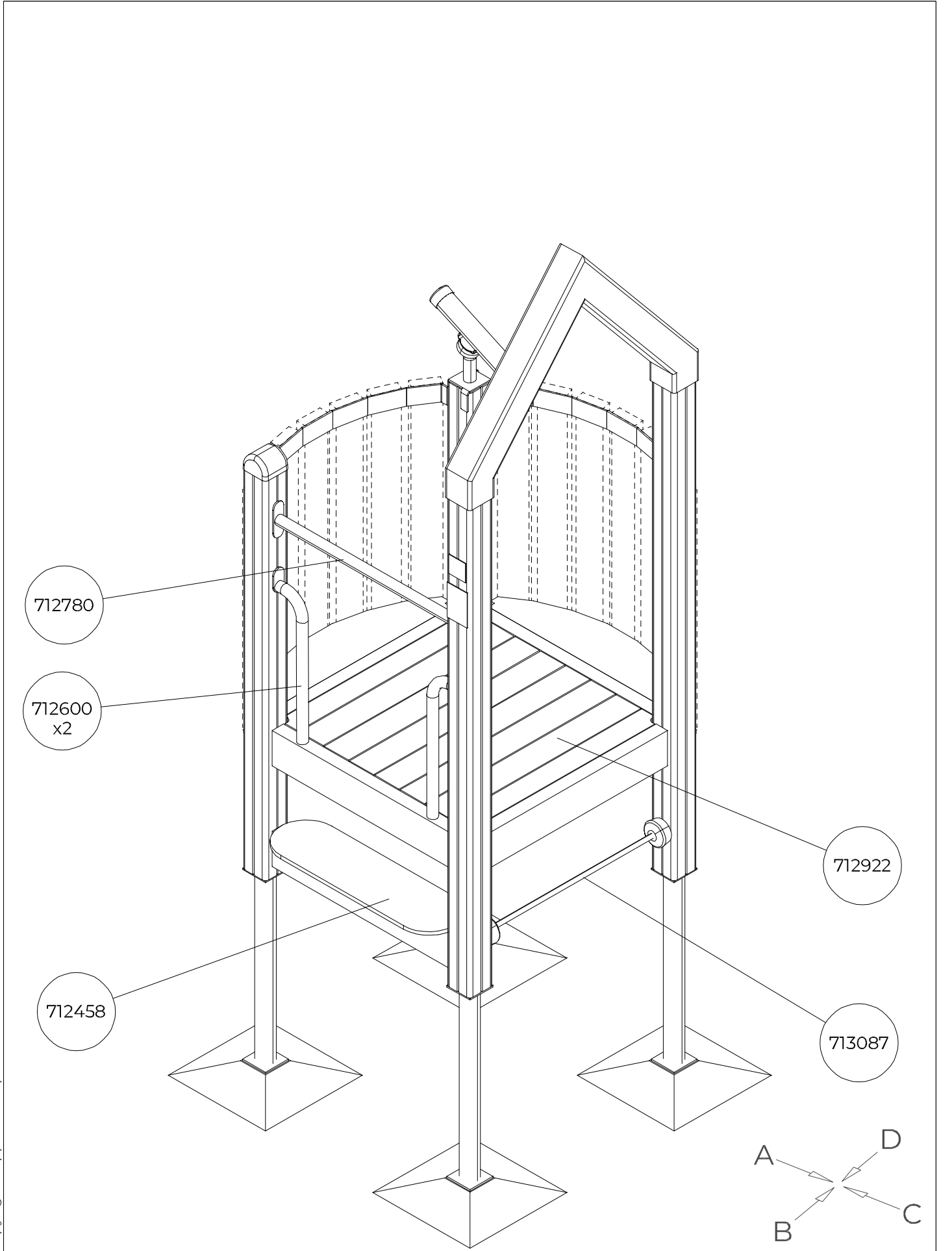


712028-001	PCS 1	712029-001	PCS 1	712032-001	PCS 2	712458	PCS 1	712517-001	PCS 2	712600	PCS 2
											
L 1250		L 1350		L 1650							
712747-001	PCS 5	712780	PCS 1	712788	PCS 1	712797	PCS 1	712798	PCS 1	712871	PCS 1
											
L 704 		L 704 									
712889	PCS 4	712922-001	PCS 1	712962	PCS 1	713087	PCS 1		PCS		PCS
											
L 700 											
	PCS		PCS		PCS		PCS		PCS		PCS
	PCS		PCS		PCS		PCS		PCS		PCS
	PCS		PCS		PCS		PCS		PCS		PCS
	PCS		PCS		PCS		PCS		PCS		PCS

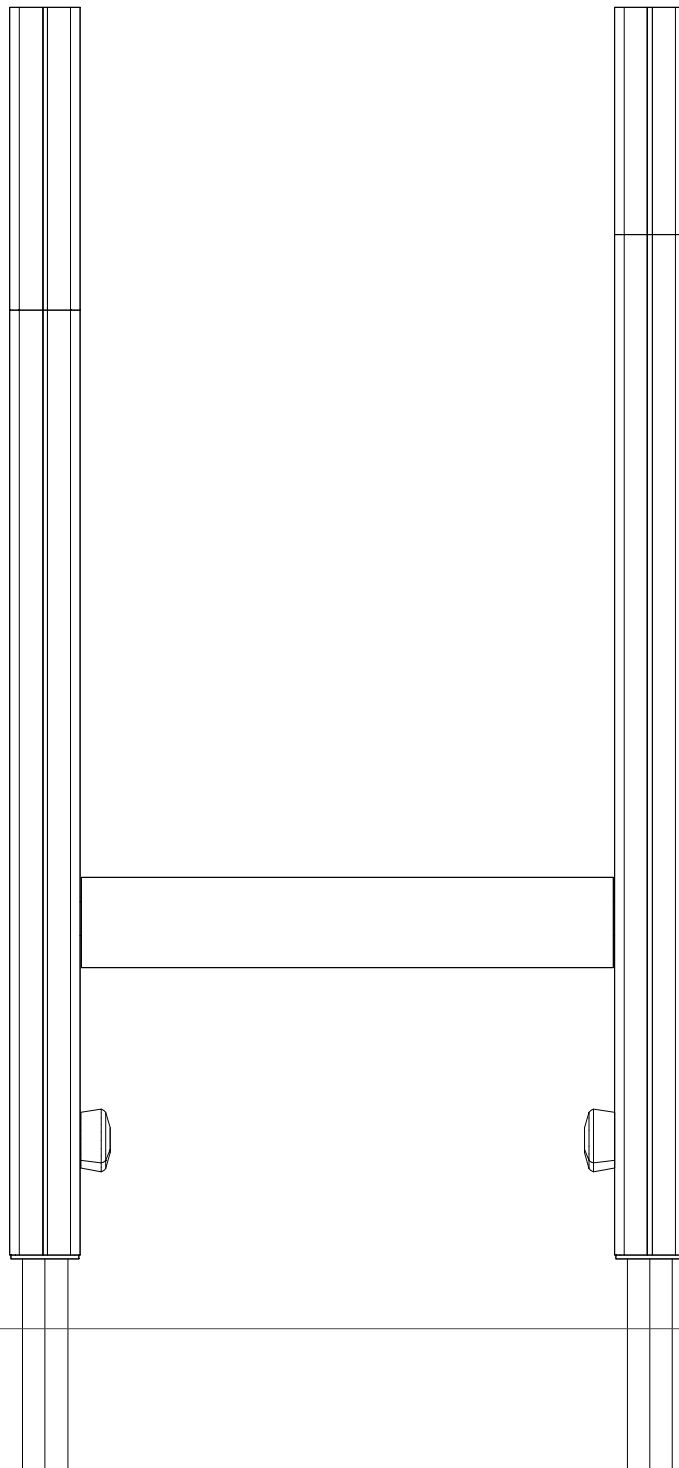




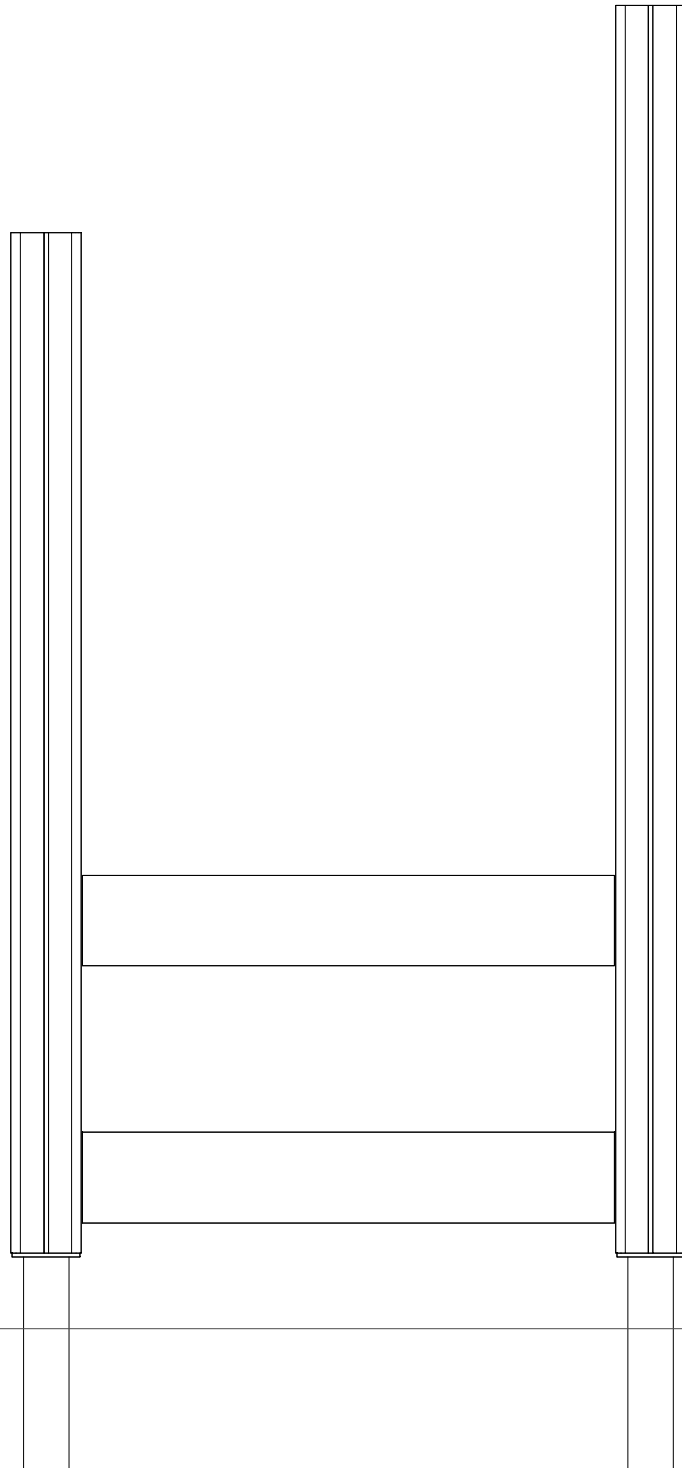




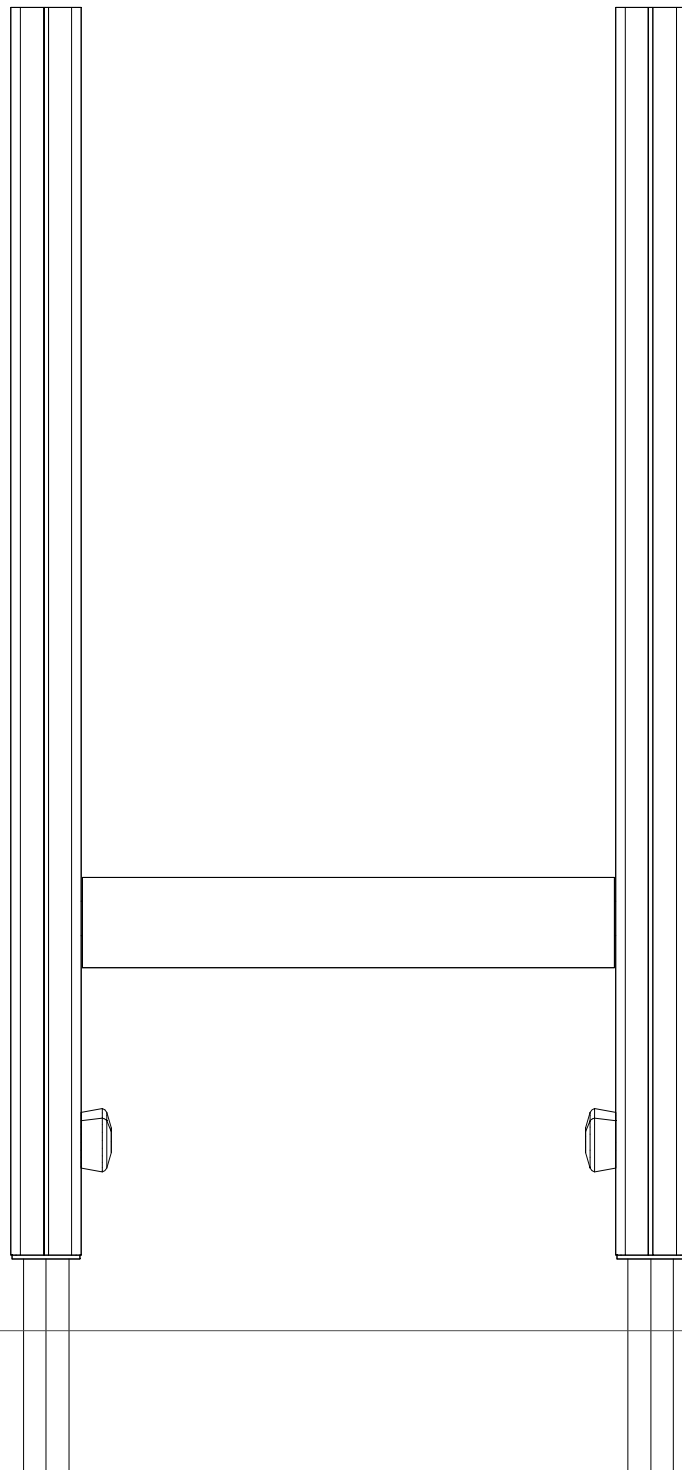
A



B

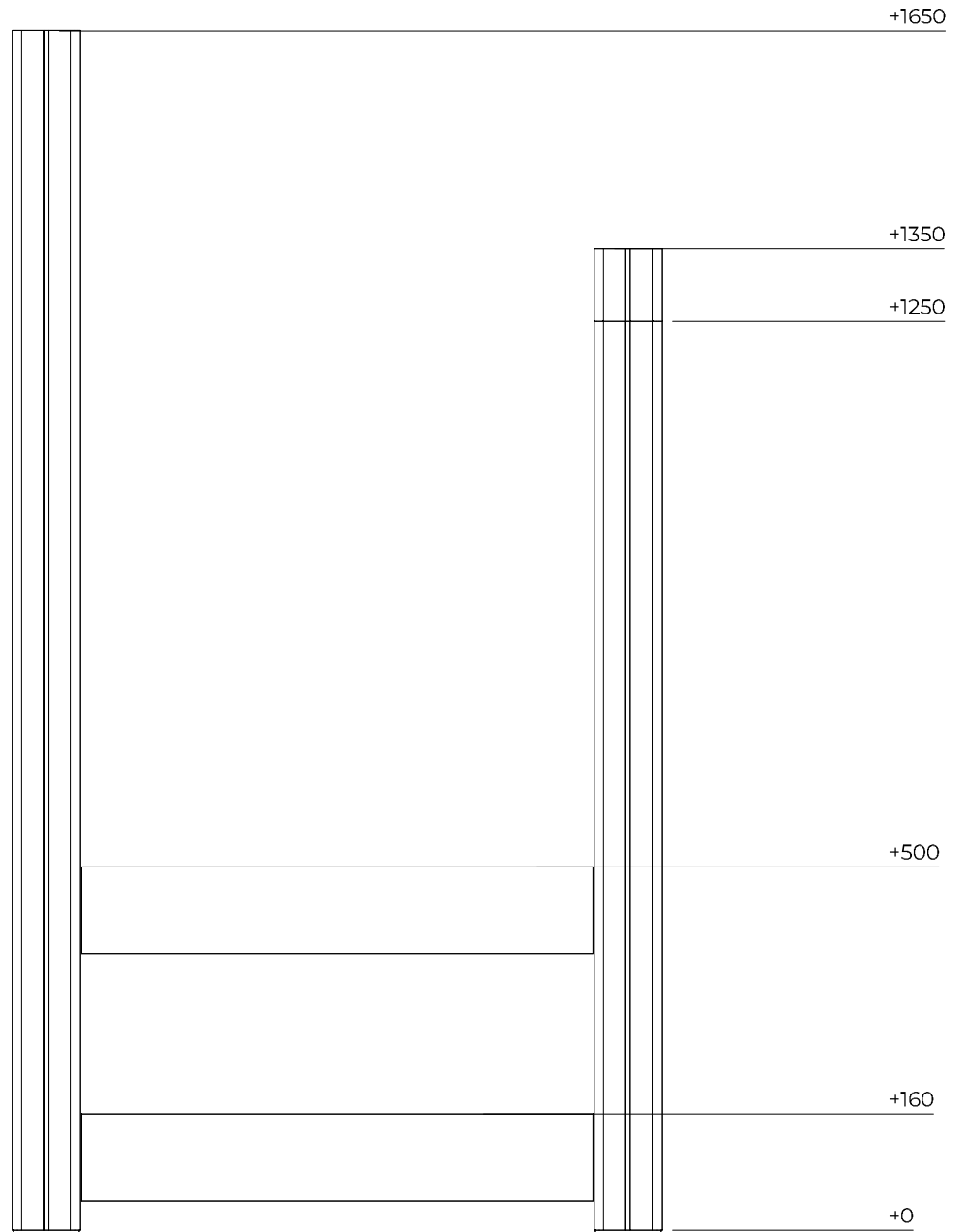




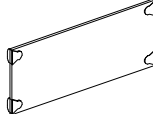
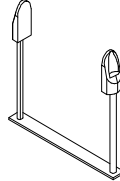
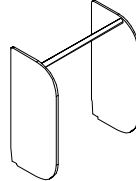


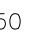




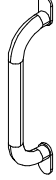
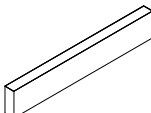
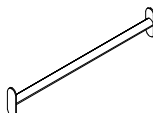
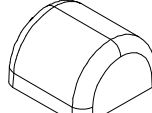








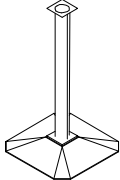
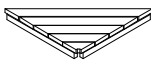
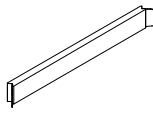










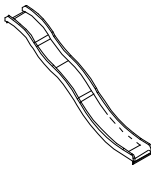
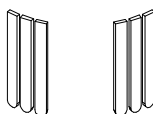
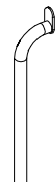




C

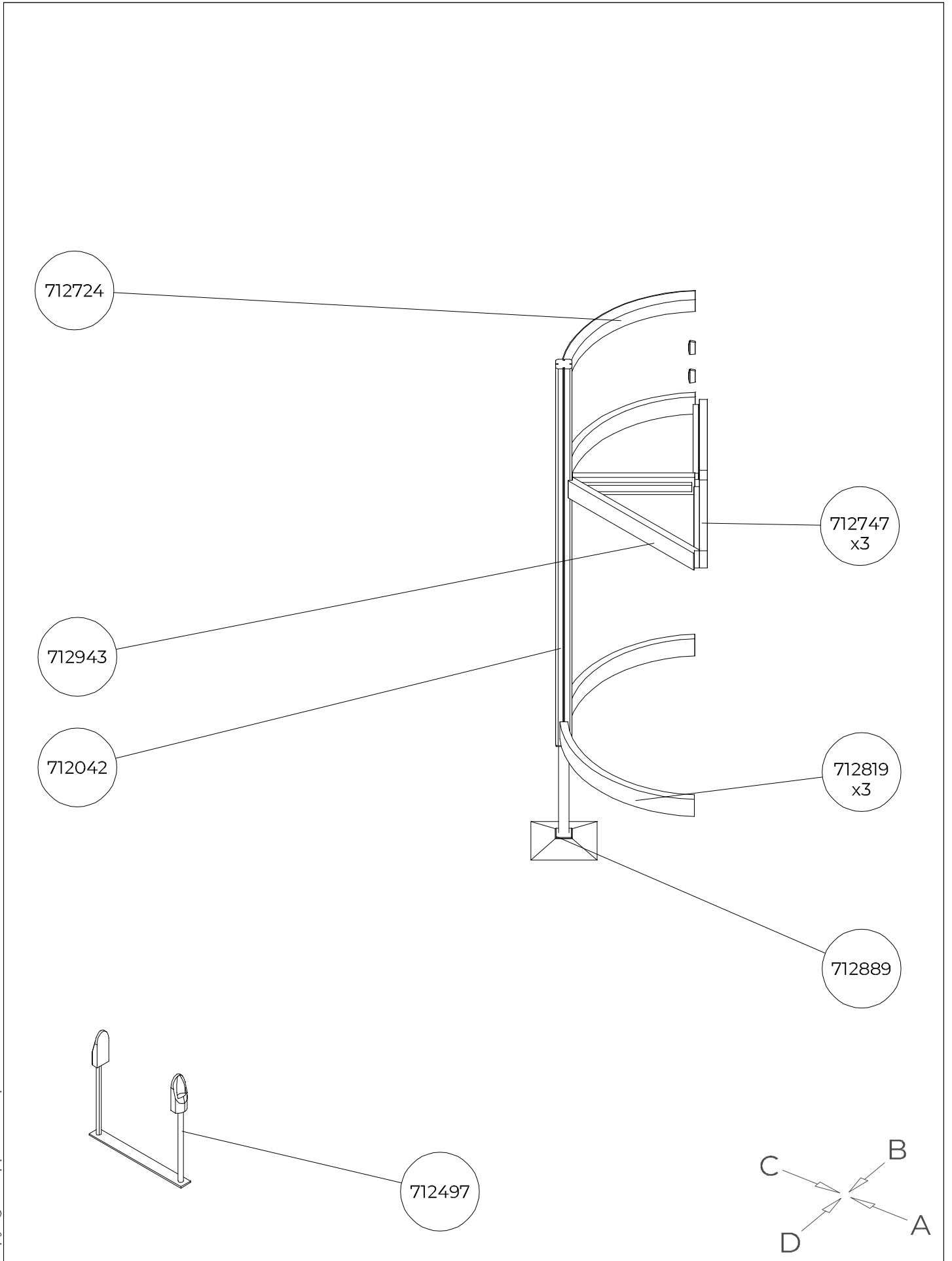


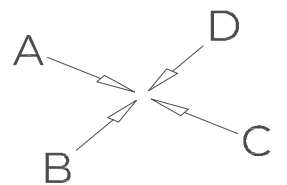
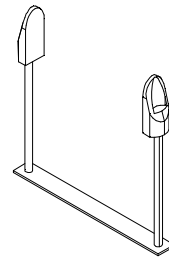
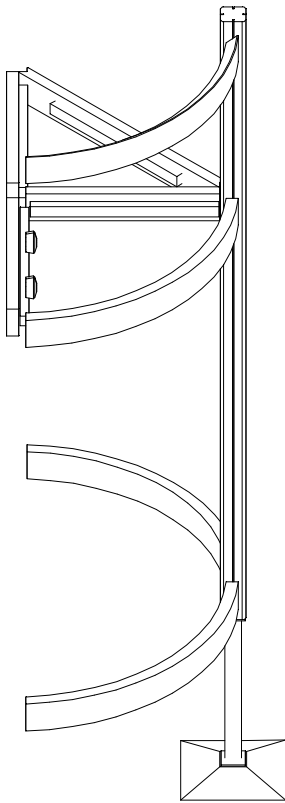
D

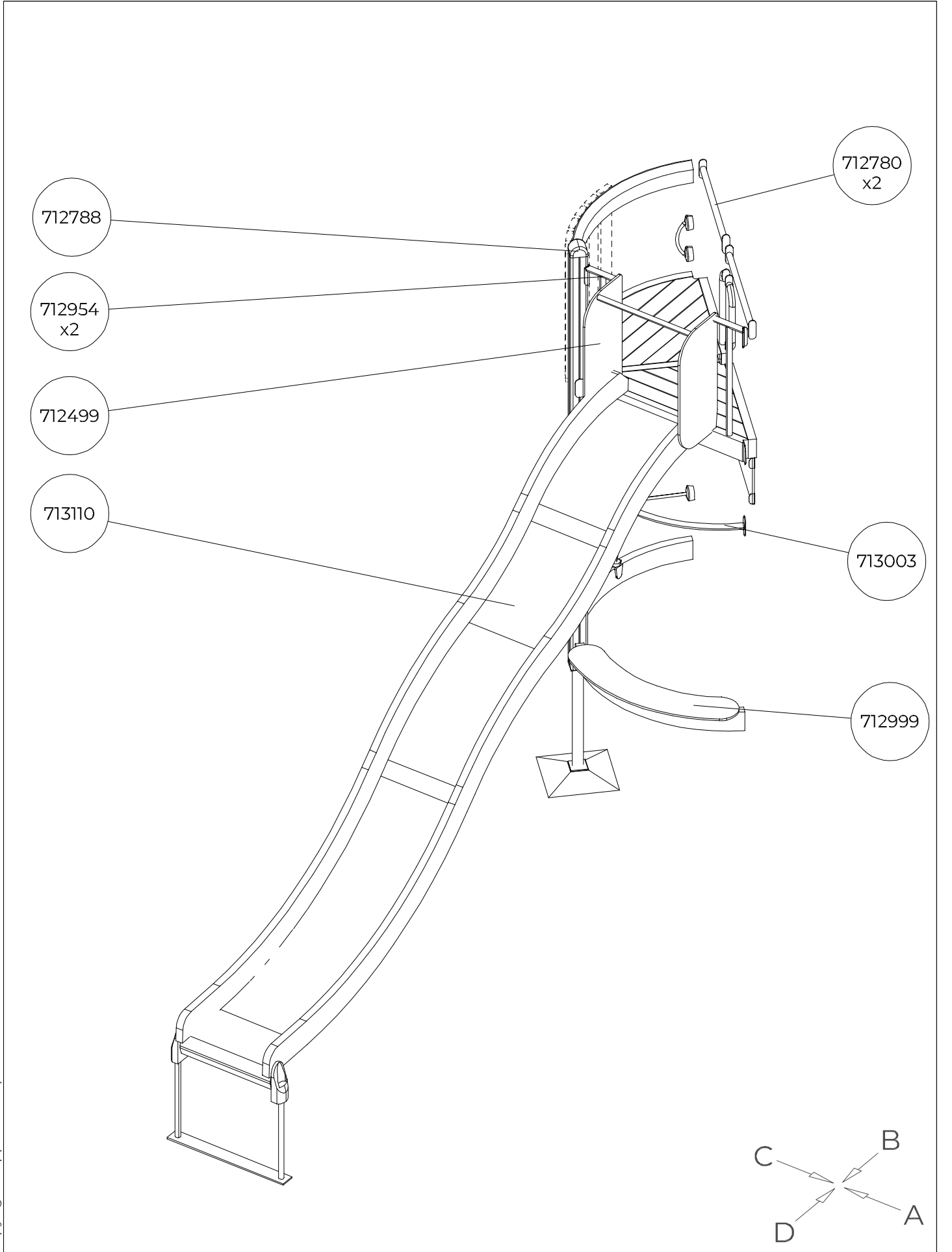
1:50

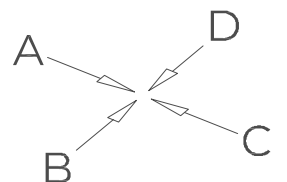
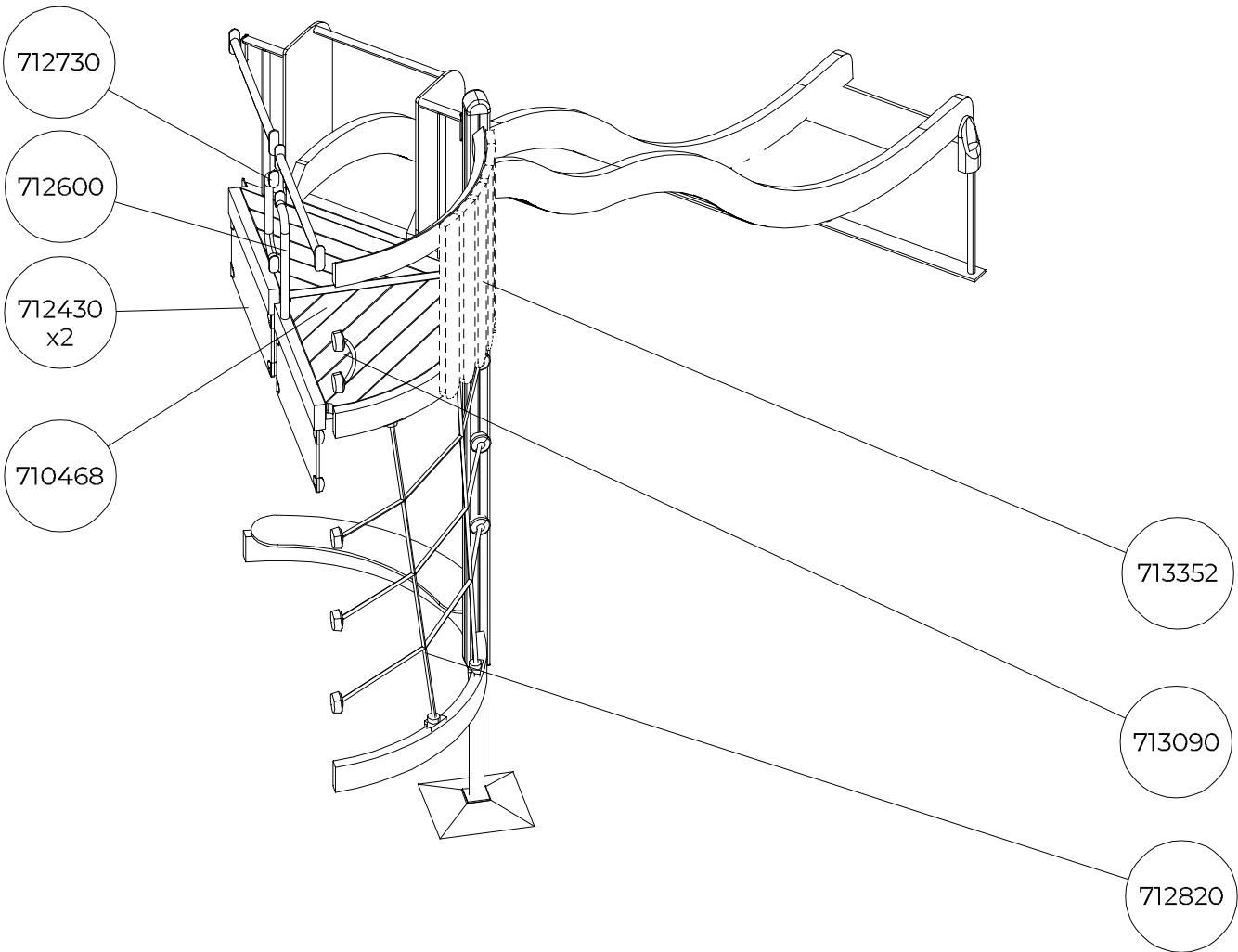


710468-001	PCS 1	712042-001	PCS 1	712430	PCS 2	712497	PCS 1	712499	PCS 1	712724-001	PCS 1
											
		L 2650 								L 1096 	
712730	PCS 1	712747-001	PCS 3	712780	PCS 2	712788	PCS 1	712819-001	PCS 3	712820	PCS 1
											
		L 704 		L 704 							
712889	PCS 1	712941-001	PCS 1	712943-001	PCS 1	712954	PCS 2	712999	PCS 1	713003	PCS 1
											
L 700 				L 1030 							
713090	PCS 1	713110-001	PCS 1	713352-001	PCS 1	712600	PCS 1		PCS		PCS
											
		+1970 									
	PCS		PCS		PCS		PCS		PCS		PCS
	PCS		PCS		PCS		PCS		PCS		PCS
	PCS		PCS		PCS		PCS		PCS		PCS

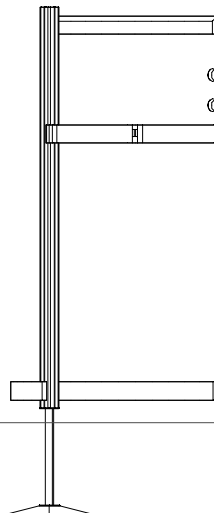




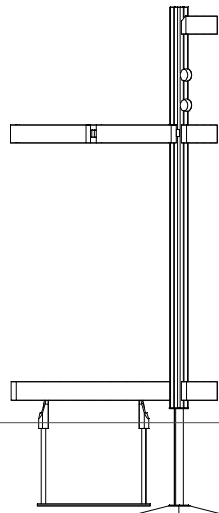




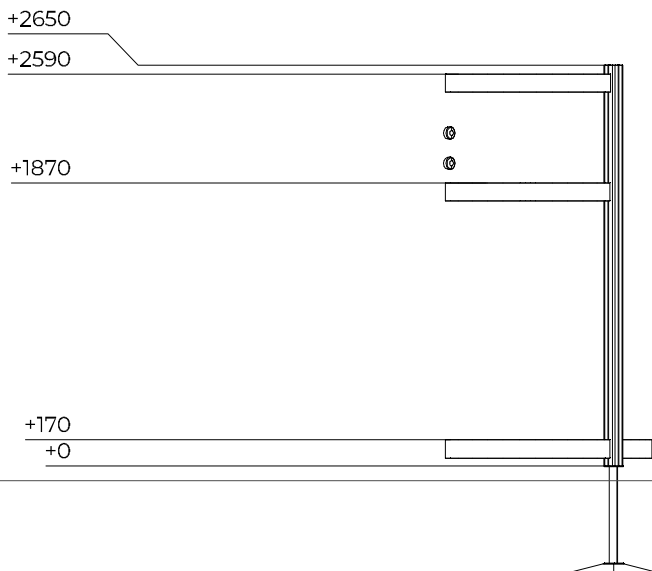
A



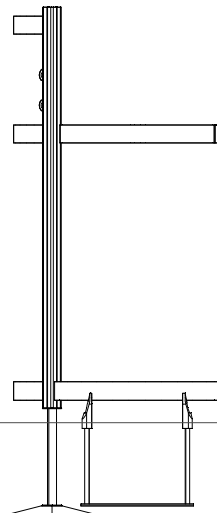
B

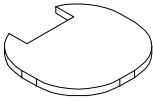



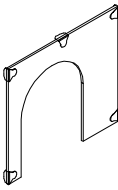
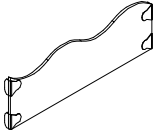

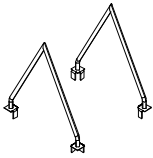


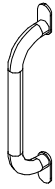
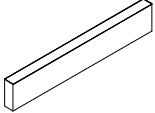
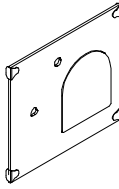
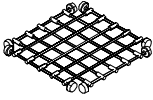

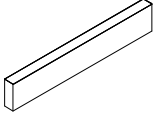
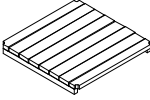
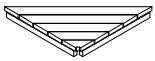

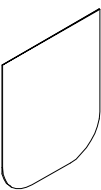


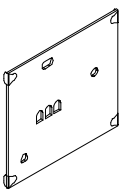
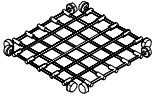
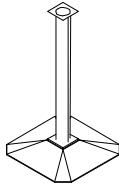
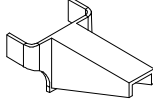
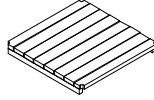
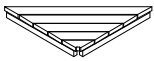






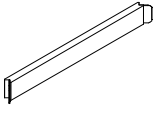
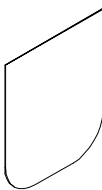

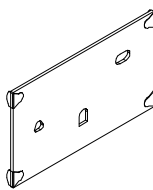
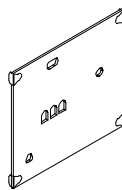







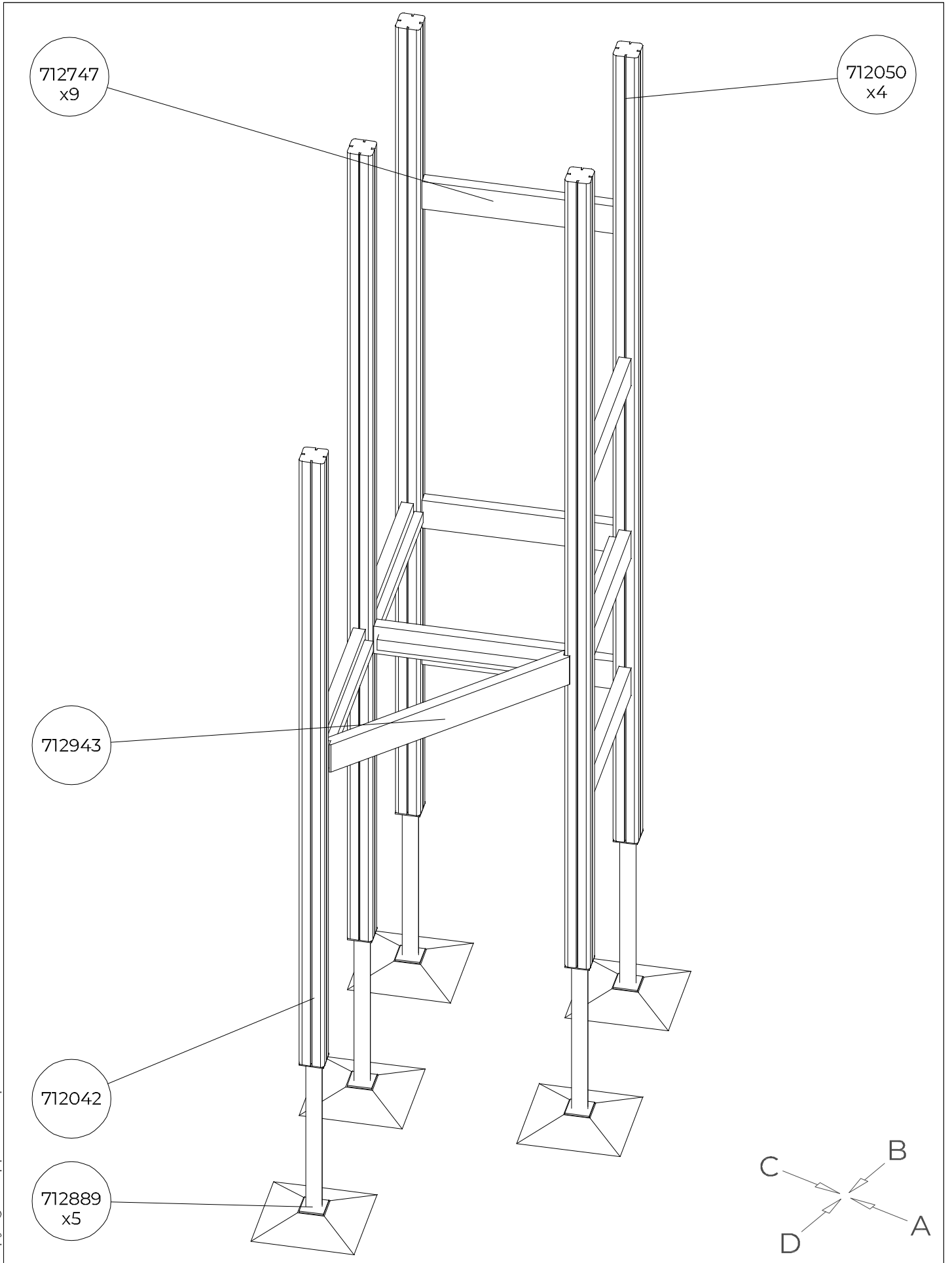
C

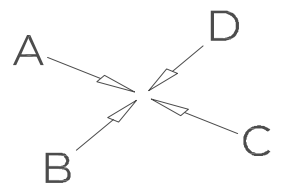
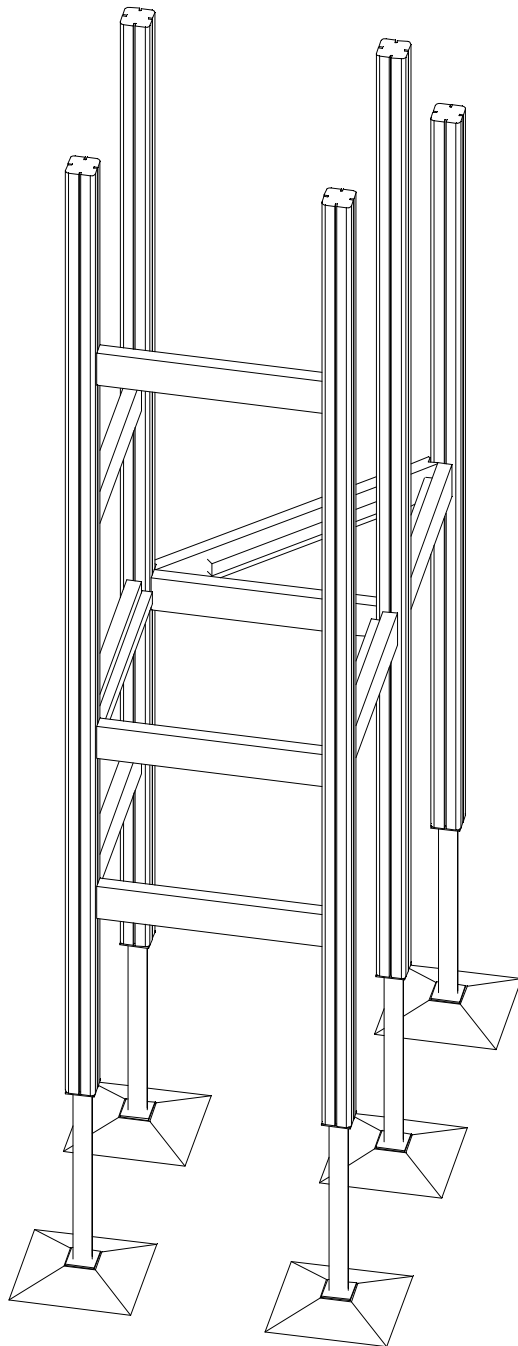


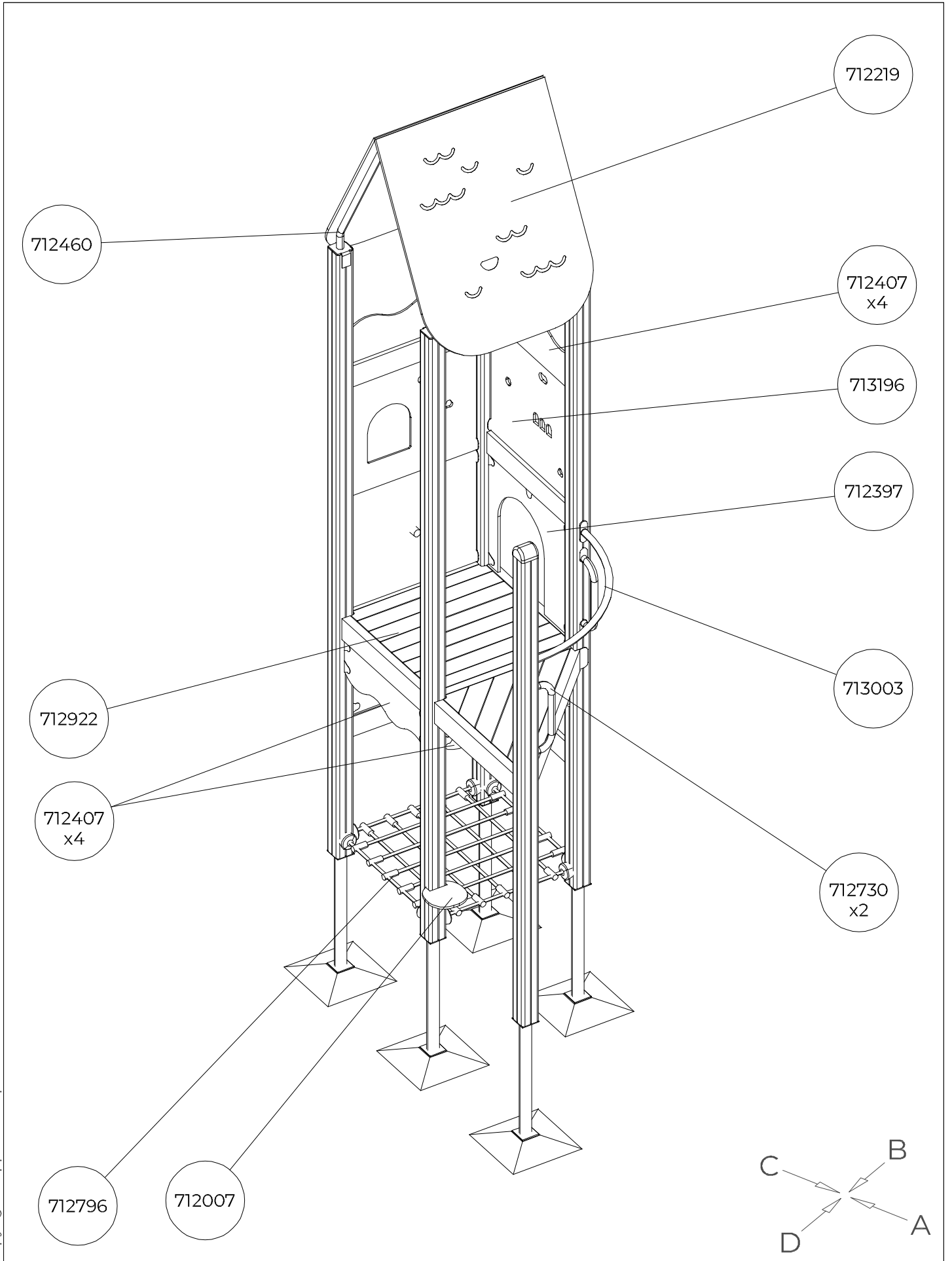
D

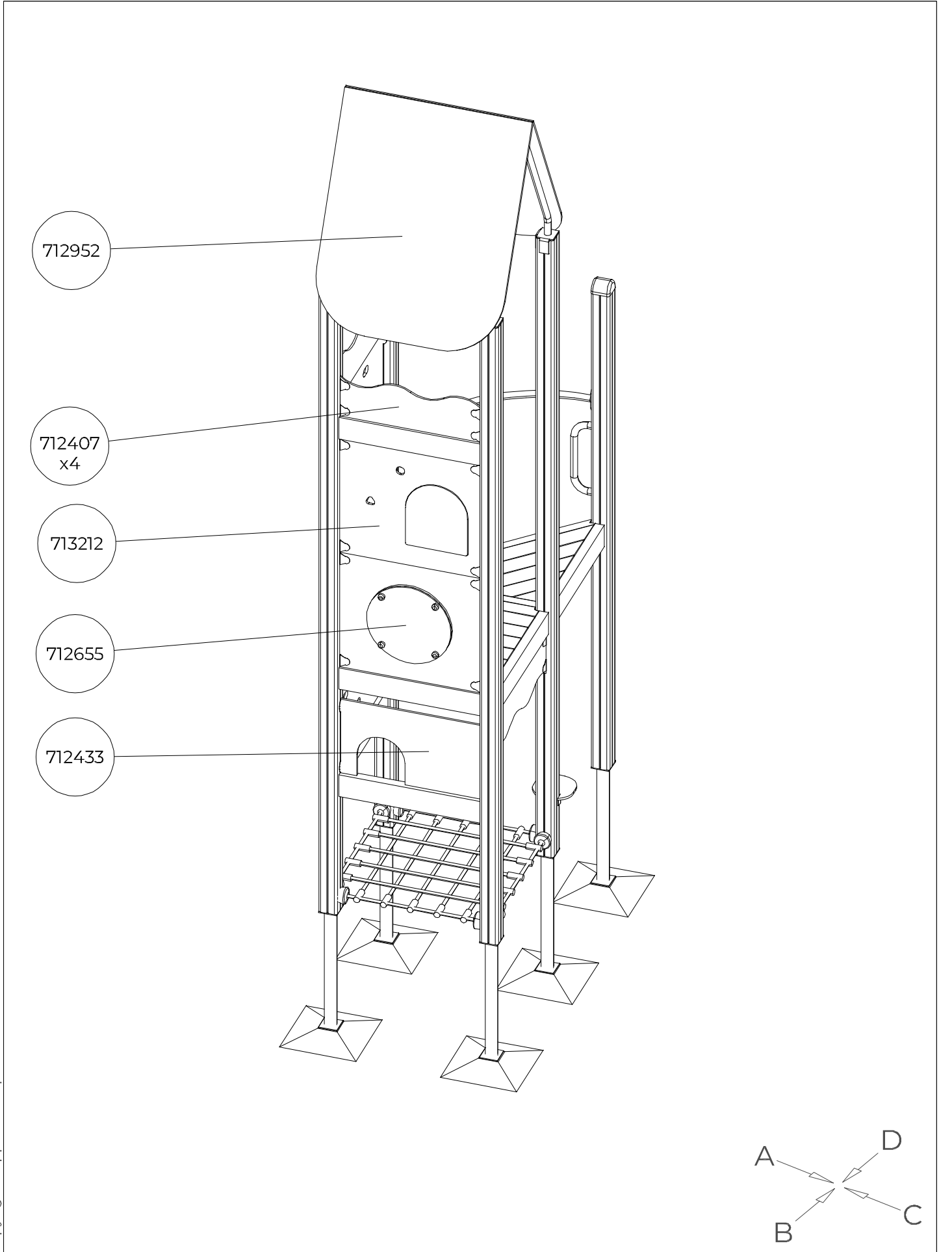


712007	PCS 1	712042-001	PCS 1	712050-001	PCS 4	712219	PCS 1	712397	PCS 1	712407	PCS 4
											
		L 2650		L 3450							
712433	PCS 1	712460	PCS 1	713212	PCS 1	712655	PCS 1	712730	PCS 2	712747-001	PCS 9
											
										L 704 	
712788	PCS 1	712796	PCS 1	712889	PCS 5	712910	PCS 1	712922-001	PCS 1	712941-001	PCS 1
											
				L 700 							
712943-001	PCS 1	712952	PCS 1	713003	PCS 1	713174	PCS 1	713196	PCS 1		PCS
											
L 1030 											
	PCS		PCS		PCS		PCS		PCS		PCS
	PCS		PCS		PCS		PCS		PCS		PCS
	PCS		PCS		PCS		PCS		PCS		PCS

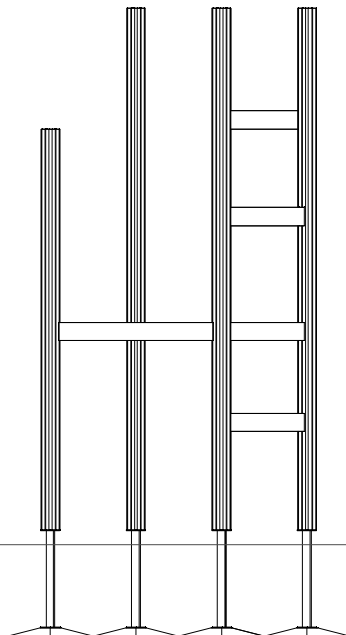




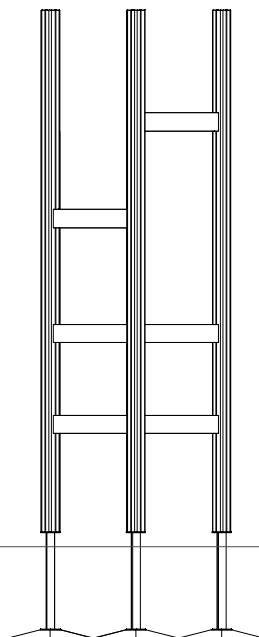




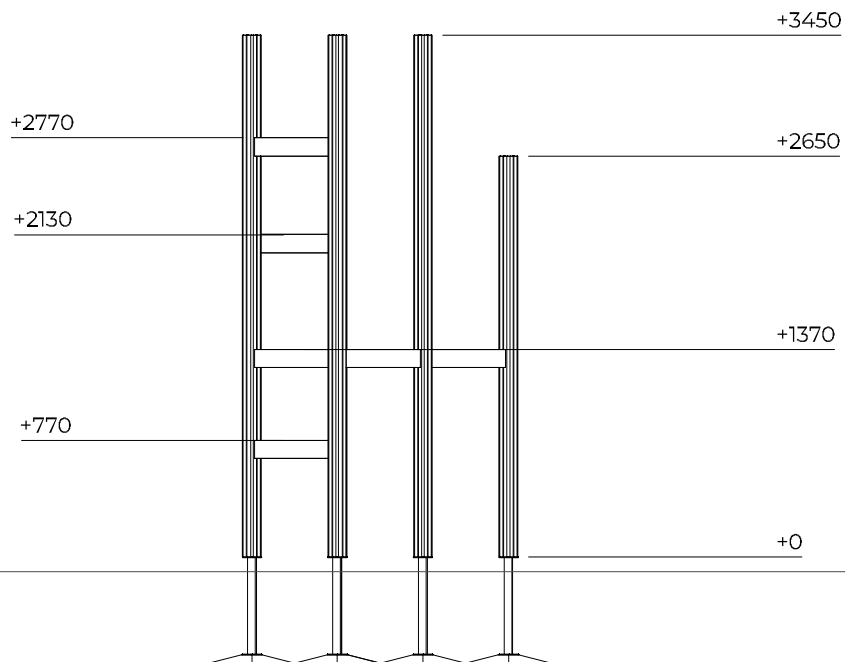
A



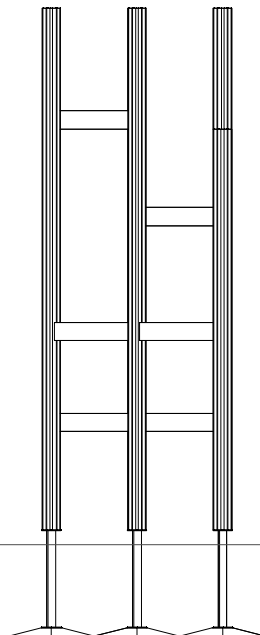
B

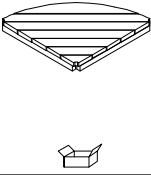
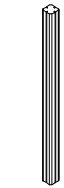

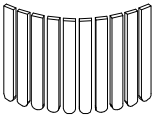

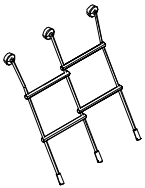
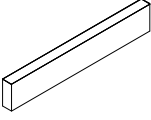
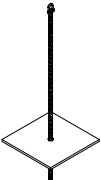
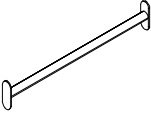
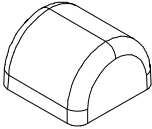
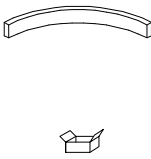
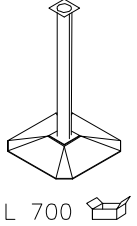
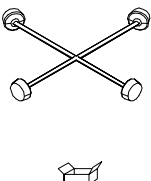
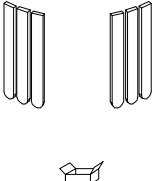


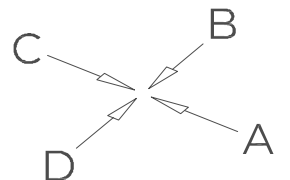
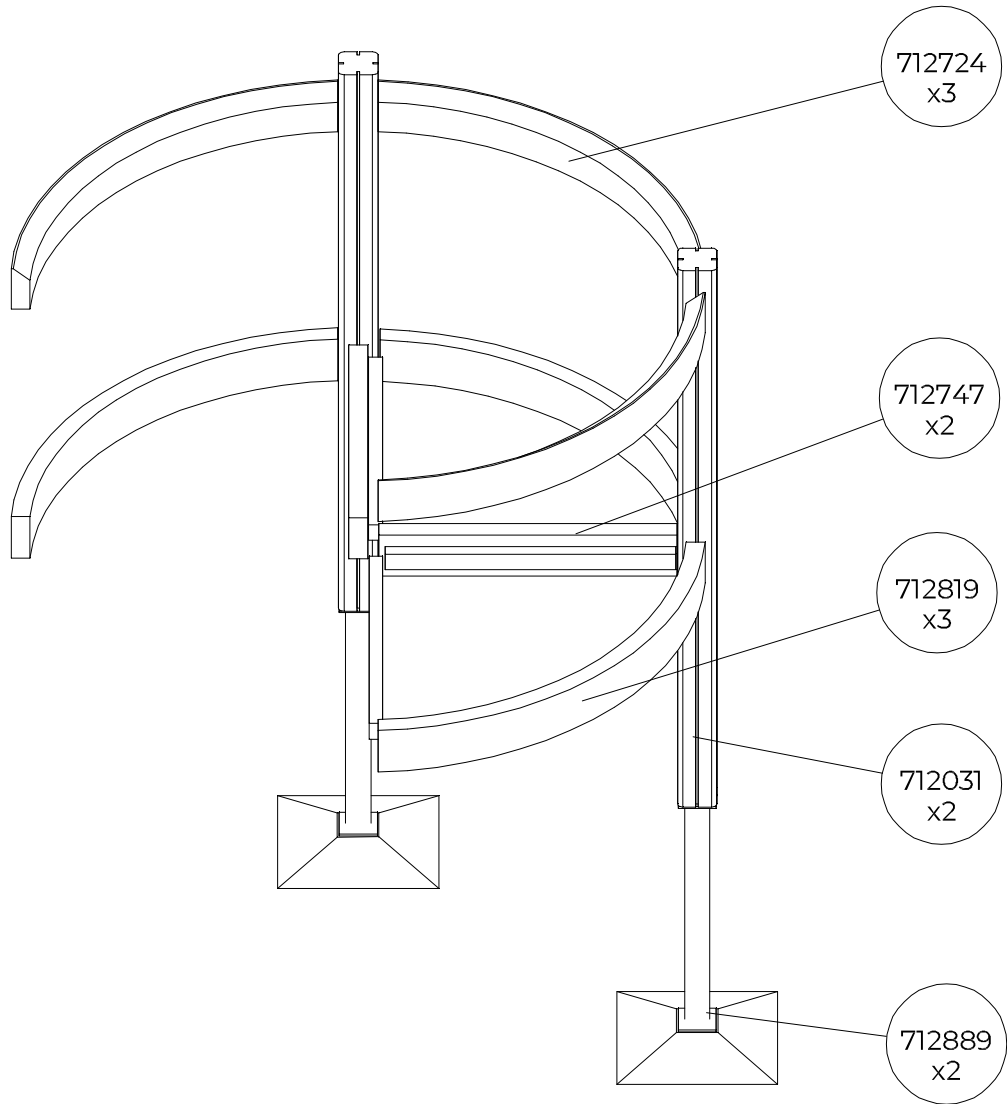
C

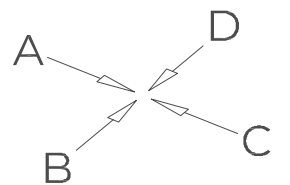
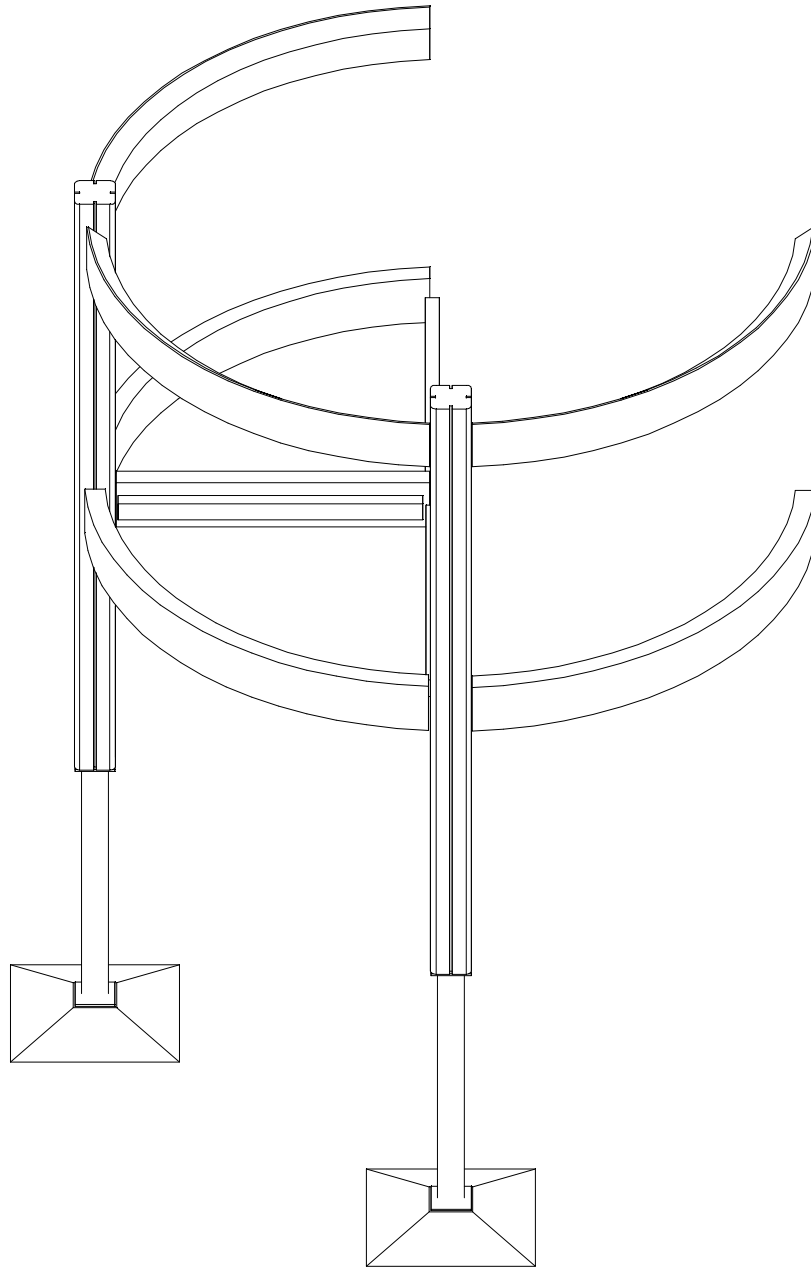


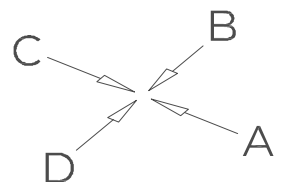
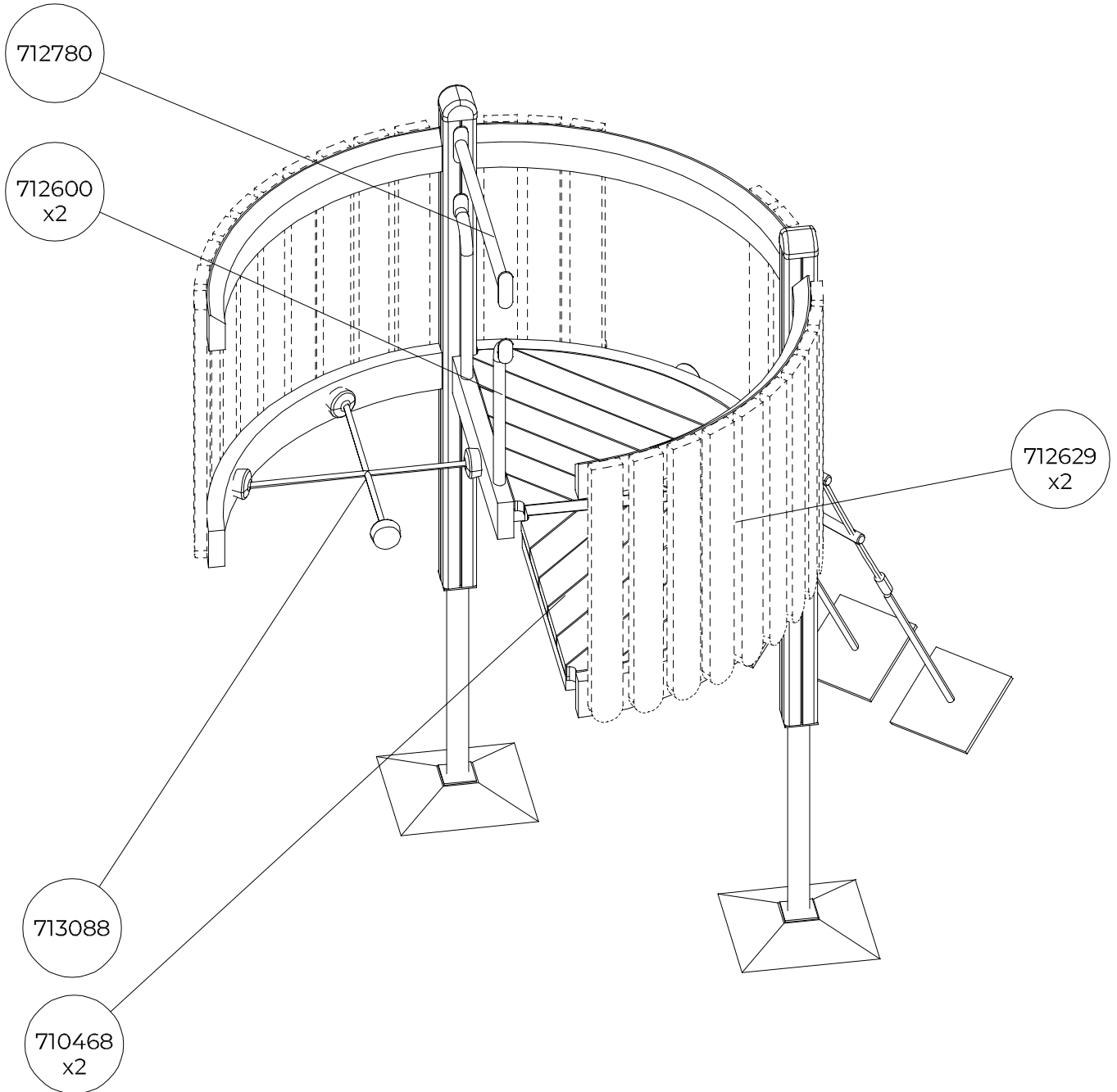
D

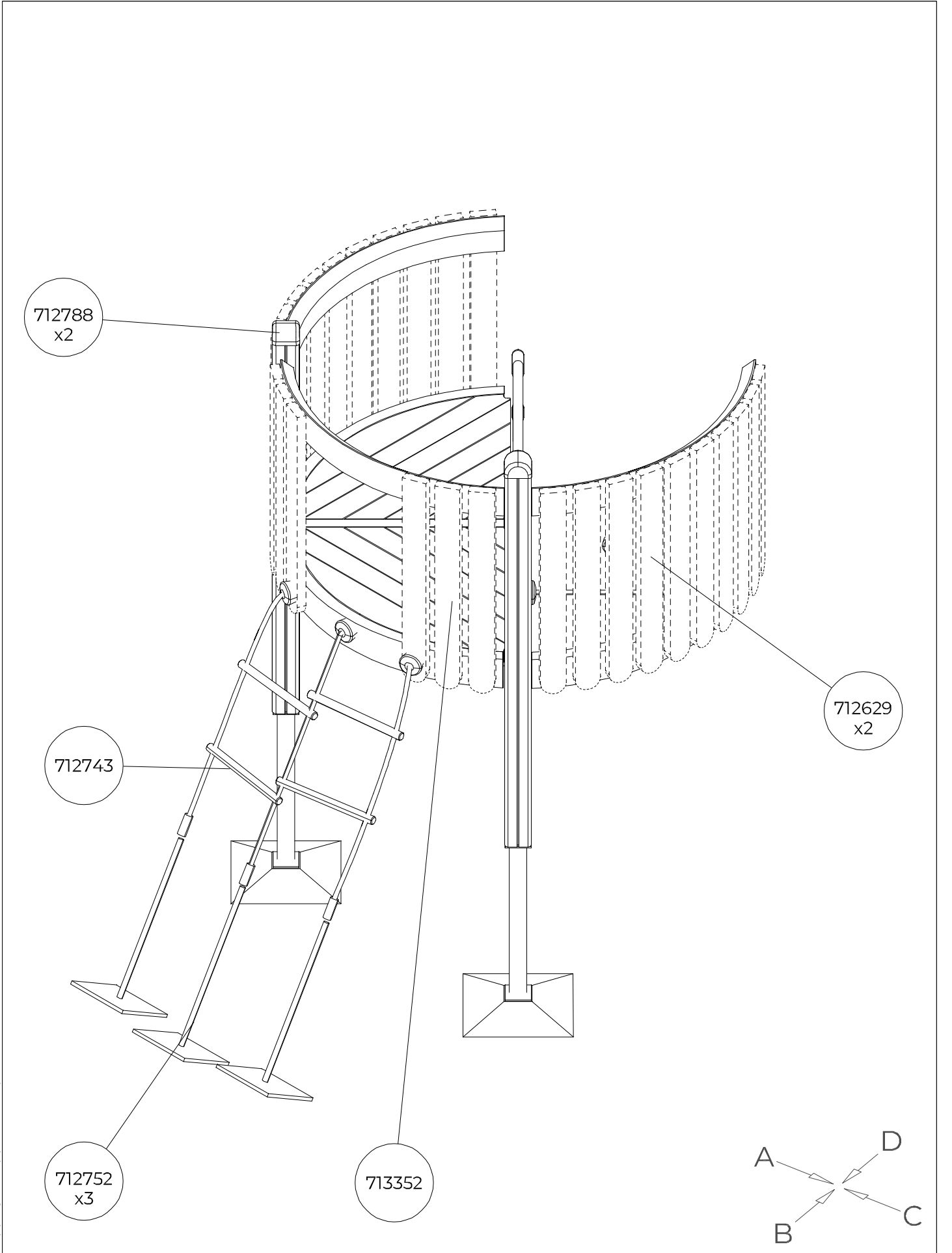


710468-001	PCS 2	712031-001	PCS 2	712600	PCS 2	712629-001	PCS 2	712724-001	PCS 3	712743	PCS 1
		 L 1550		 L 1096							
712747-001	PCS 2	712752	PCS 3	712780	PCS 1	712788	PCS 2	712819-001	PCS 3	712889	PCS 2
 L 704				 L 704						 L 700	
713088	PCS 1	713352-001	PCS 1		PCS		PCS		PCS		PCS
											
	PCS		PCS		PCS		PCS		PCS		PCS
	PCS		PCS		PCS		PCS		PCS		PCS
	PCS		PCS		PCS		PCS		PCS		PCS
	PCS		PCS		PCS		PCS		PCS		PCS

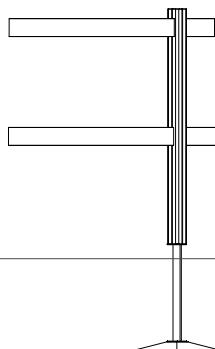




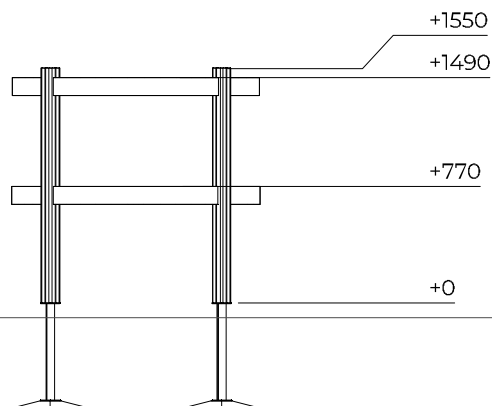




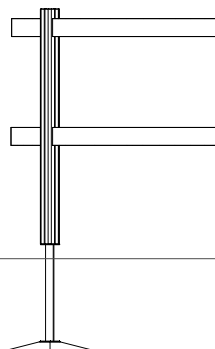
A



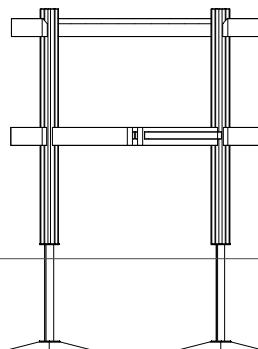
B

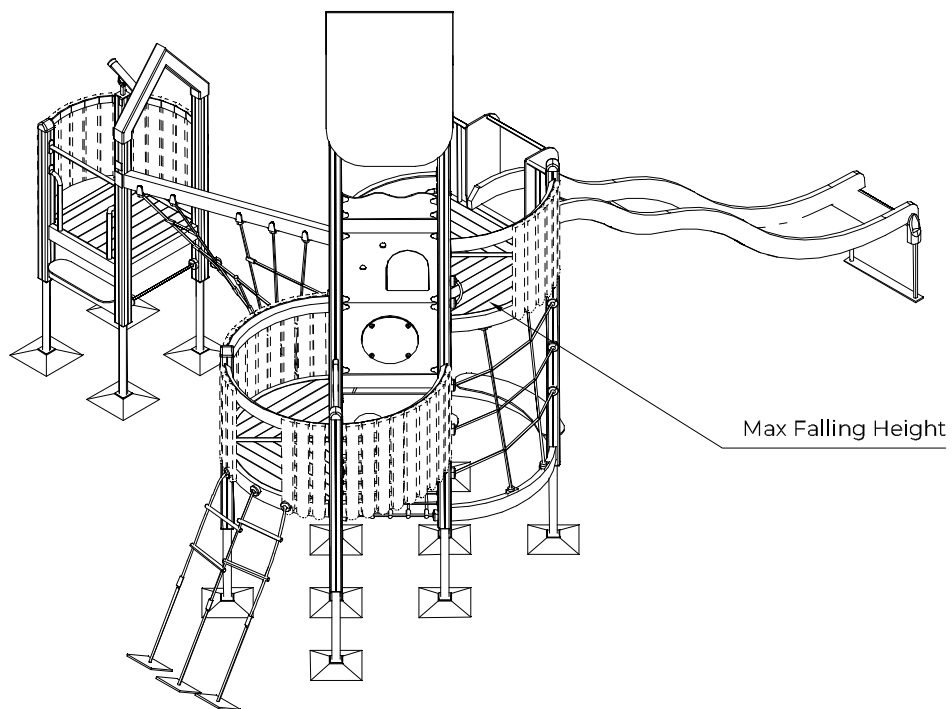
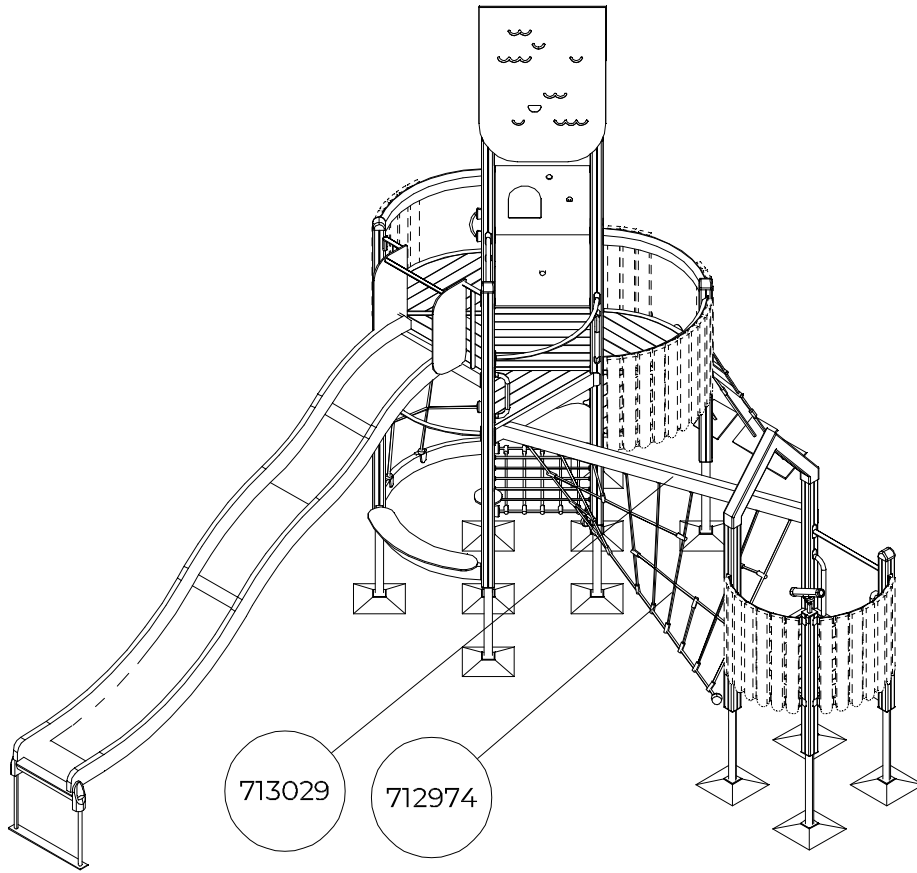


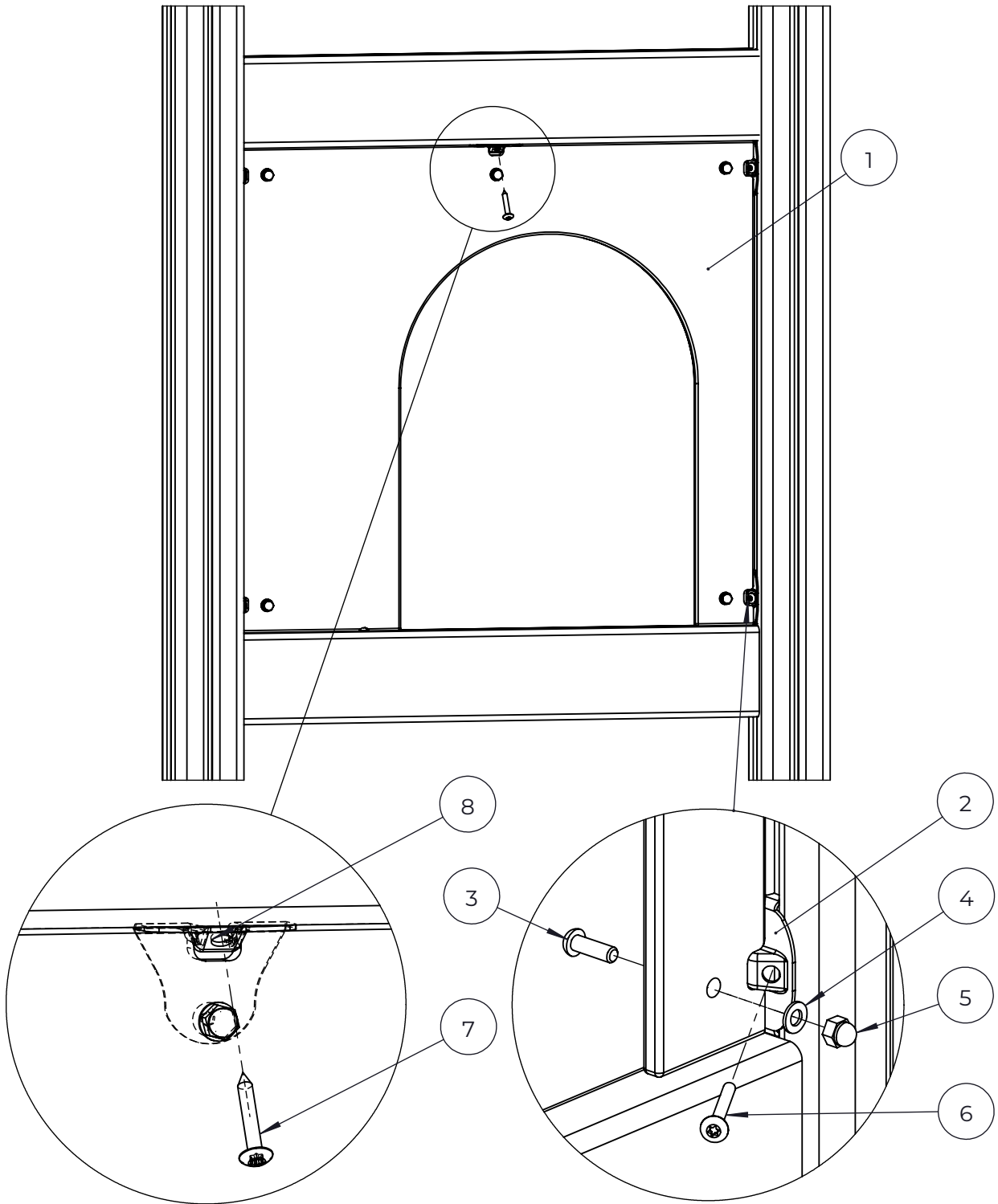
C



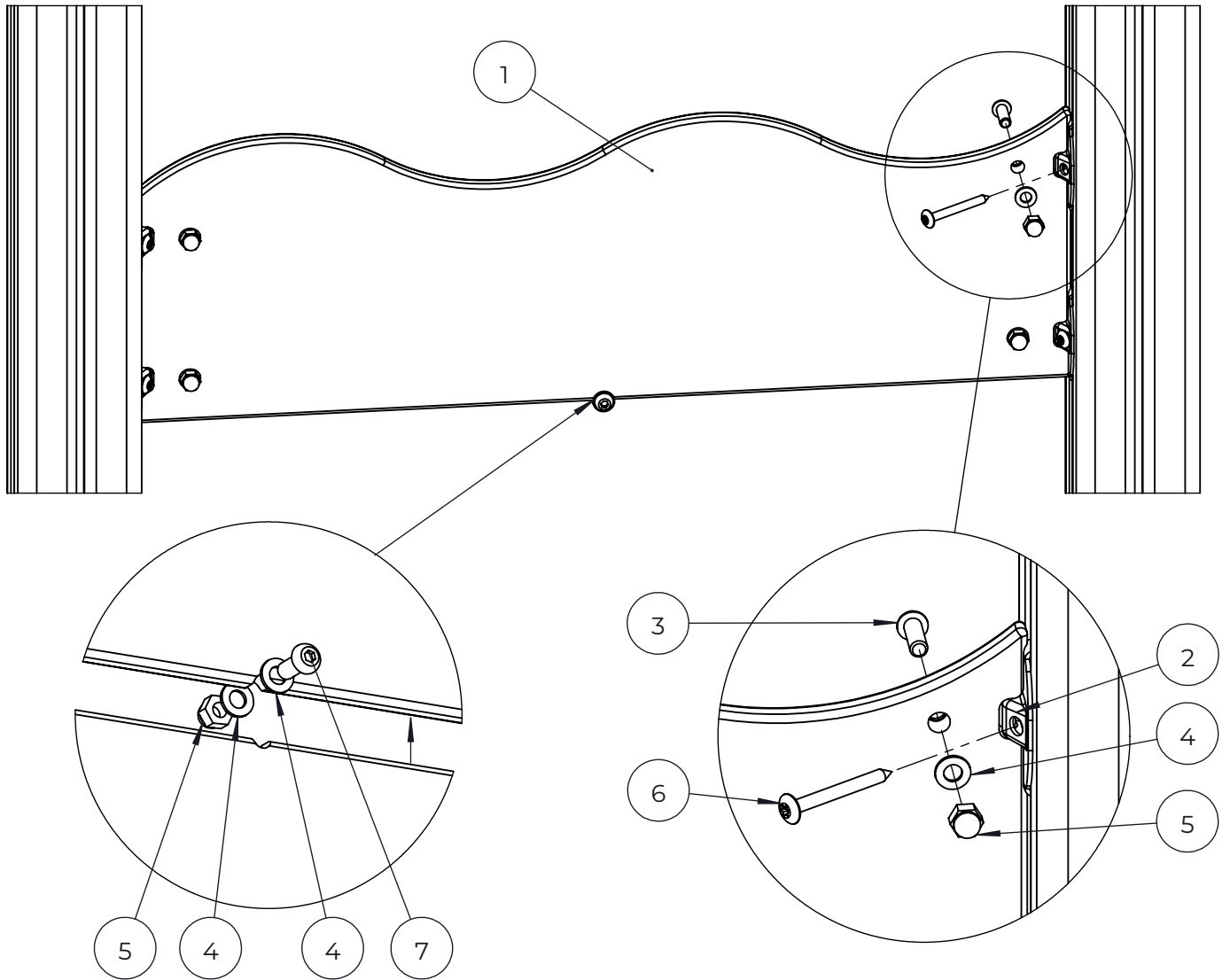
D



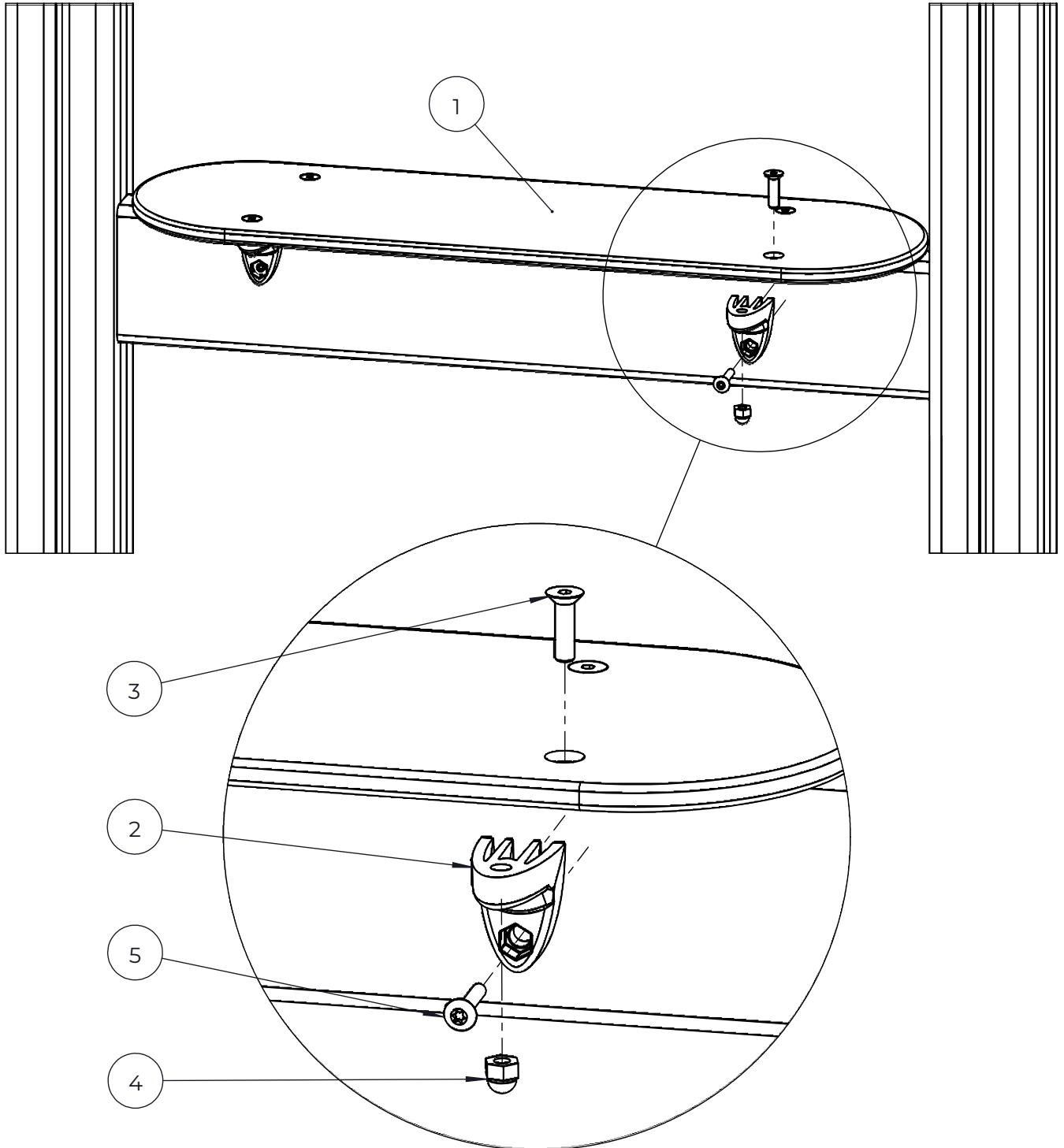




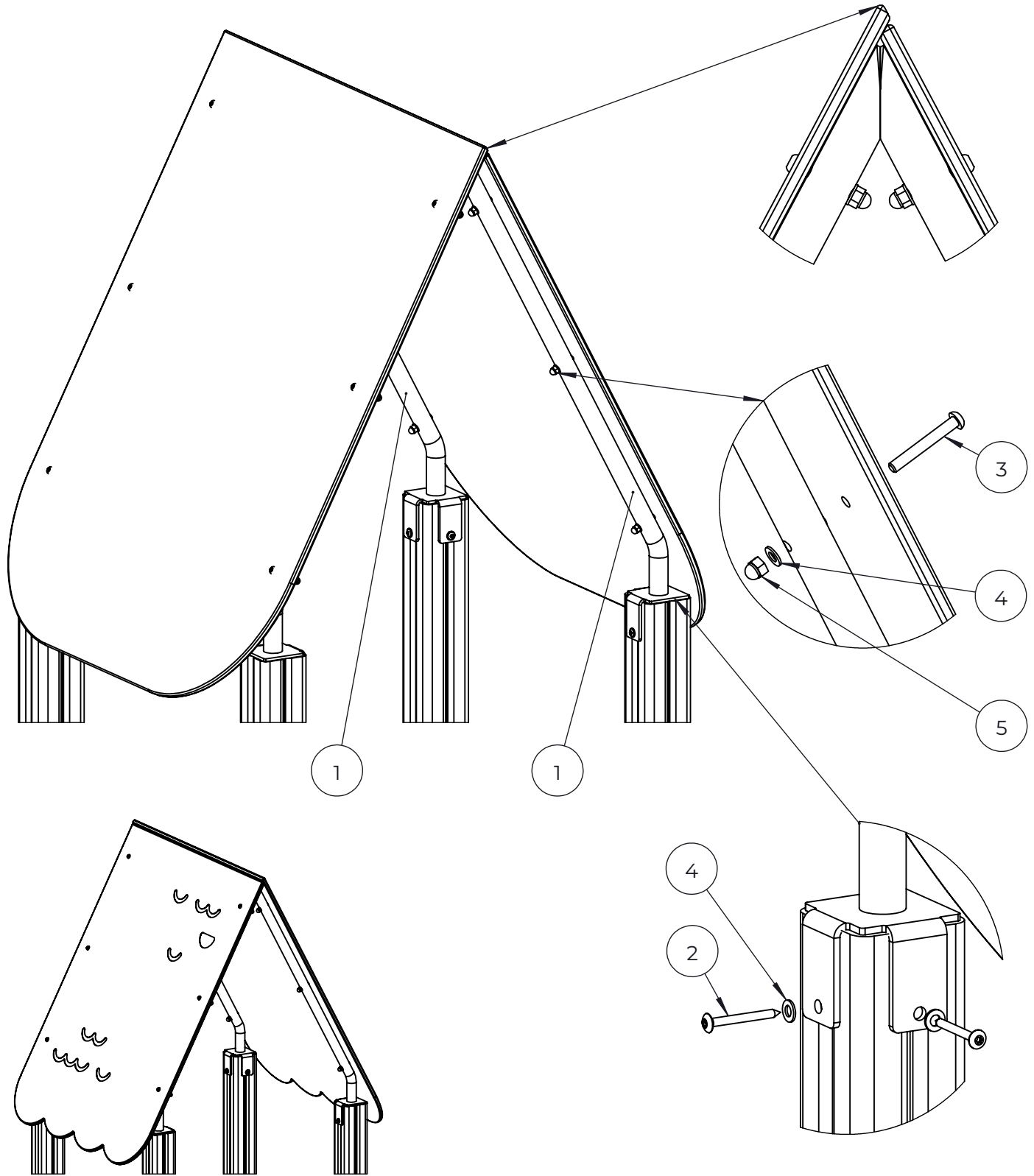
NO.	ITEM CODE			QTY.
1	712468	PLATE	12x640x702	1
2	903176	CLAMP		4
3	909850	ALLEN SCREW	M8x25	5
4	909256	WASHER	Ø16/8.4x1.6	5
5	909633	NUT	M8	5
6	980123	SPECIAL SCREW	Ø7x60	4
7	980128	SPECIAL SCREW	Ø7x40	1
8	903215	CLAMP		1



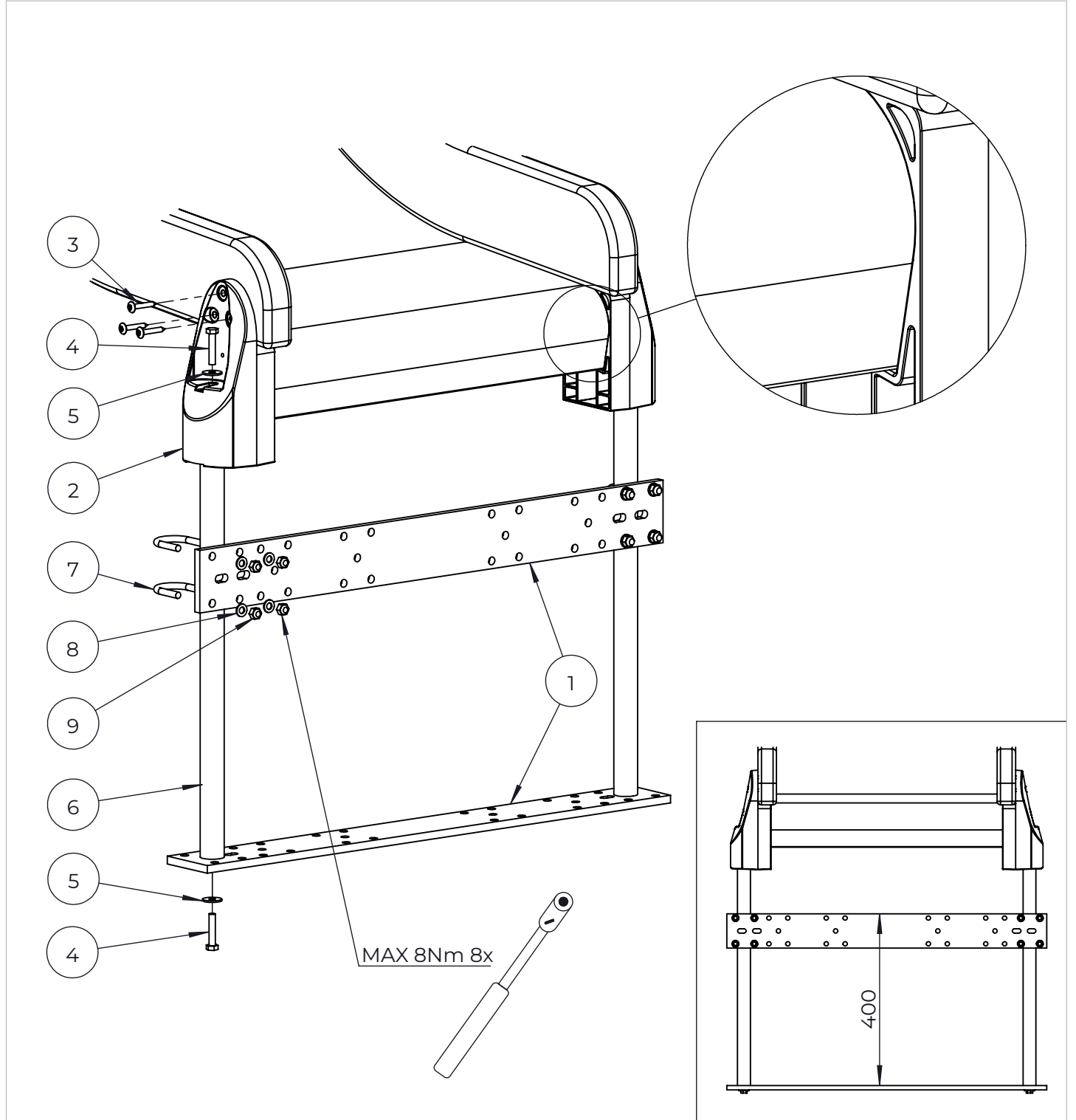
NO.	ITEM CODE			QTY.
1	711674	SKIRT BOARD	12x229x702	1
2	903176	CLAMP		4
3	909850	ALLEN SCREW	M8x25	4
4	909256	WASHER	Ø16/8.4x1.6	6
5	909633	NUT	M8	5
6	980123	SPECIAL SCREW	Ø7x60	4
7	905827	ALLEN SCREW	M8x20	1



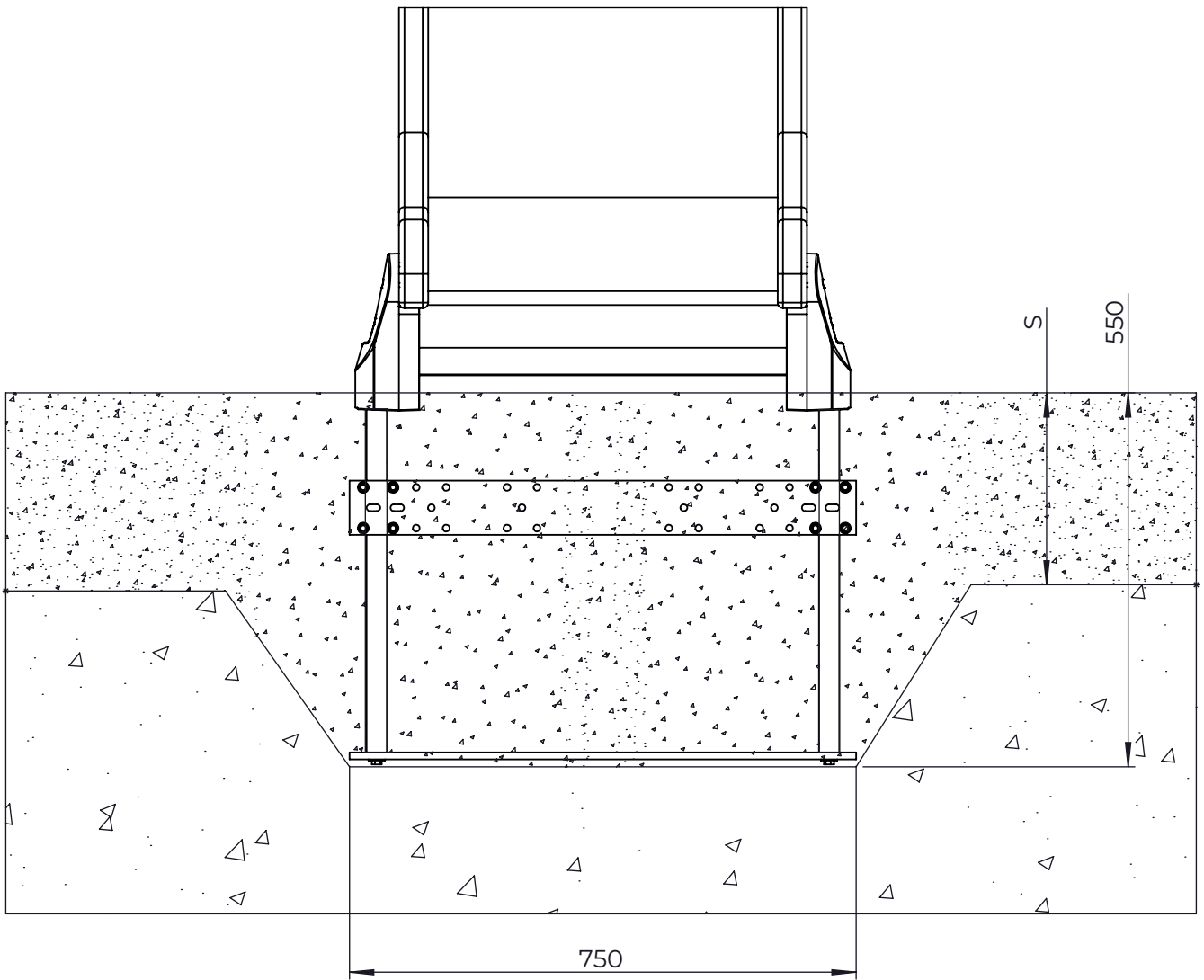
NO.	ITEM CODE			QTY.
1	711701	STEP	12x200x680	1
2	901570	CLAMP	36x55x55	4
3	900348	ALLEN SCREW	M8x30	4
4	909633	NUT	M8	4
5	980128	SPECIAL SCREW	Ø7x40	4

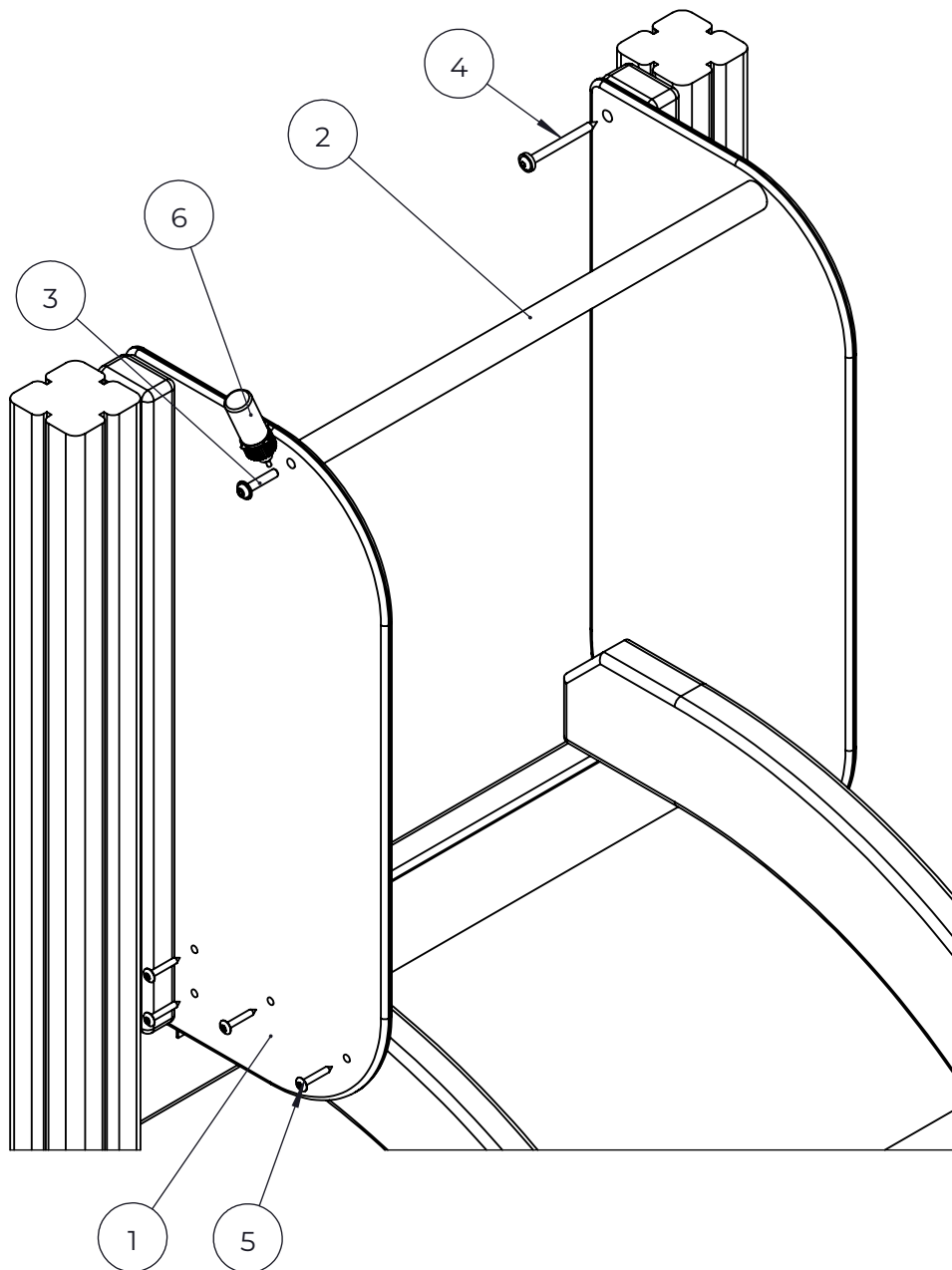


NO.	ITEM CODE			QTY.
1	914559	ROOF FRAME	94x883x950	2
2	980123	SPECIAL SCREW	Ø7x60	8
3	900735	ALLEN SCREW	M8x60	12
4	909256	WASHER	Ø16/8.4x1.6	20
5	909633	NUT	M8	12

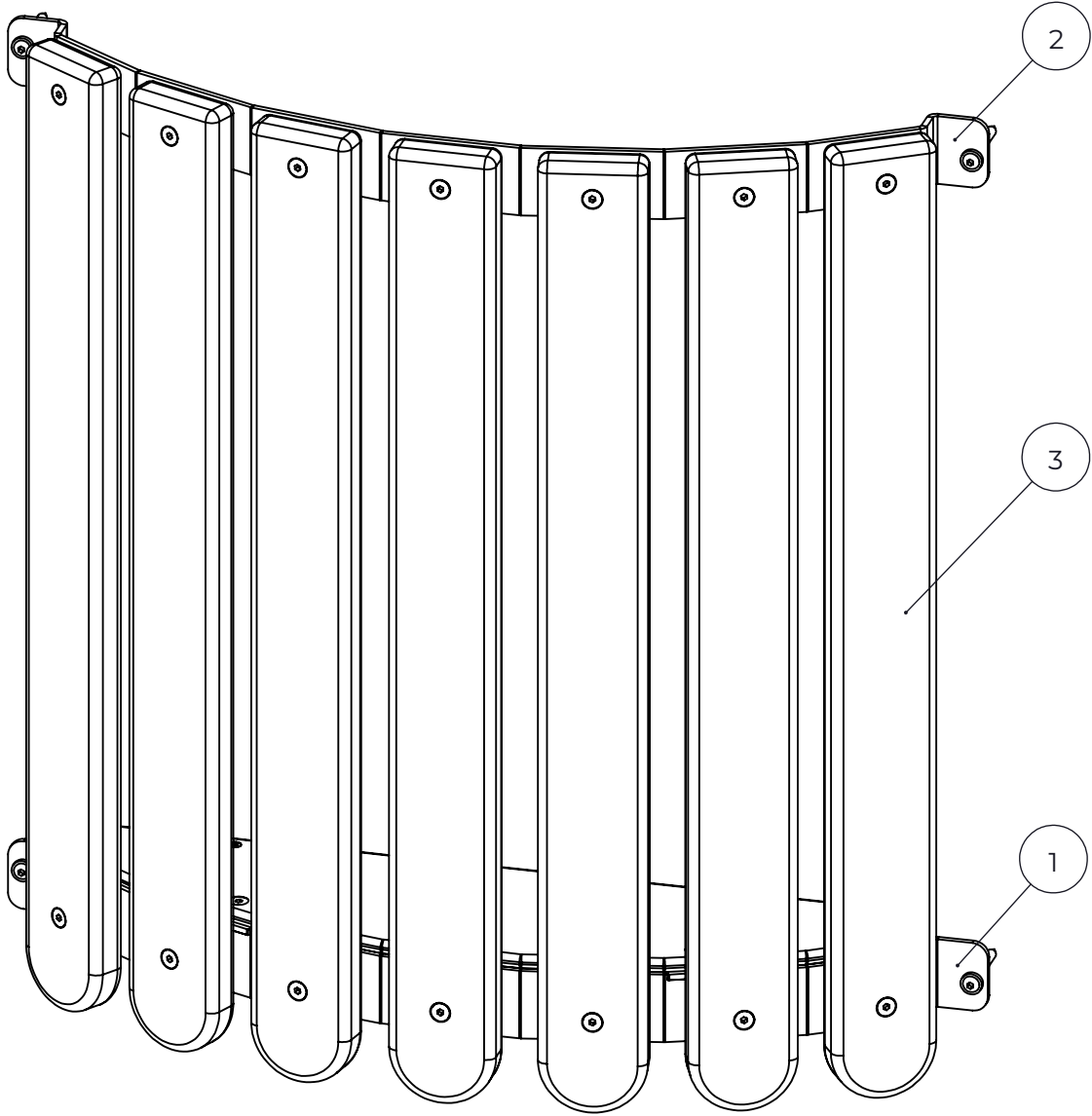


NO.	ITEM CODE			QTY.
1	707133	PLATE	10x80x745	2
2	901879	CLAMP		2
3	980128	SPECIAL SCREW	Ø7x40	6
4	909210	BOLT	M8x40	4
5	905051	WASHER	Ø24/8.4	4
6	901868	BAR		2
7	901115	U-BOLT		4
8	909256	WASHER	Ø16/8.4x1.6	8
9	980160	NUT	M8	8

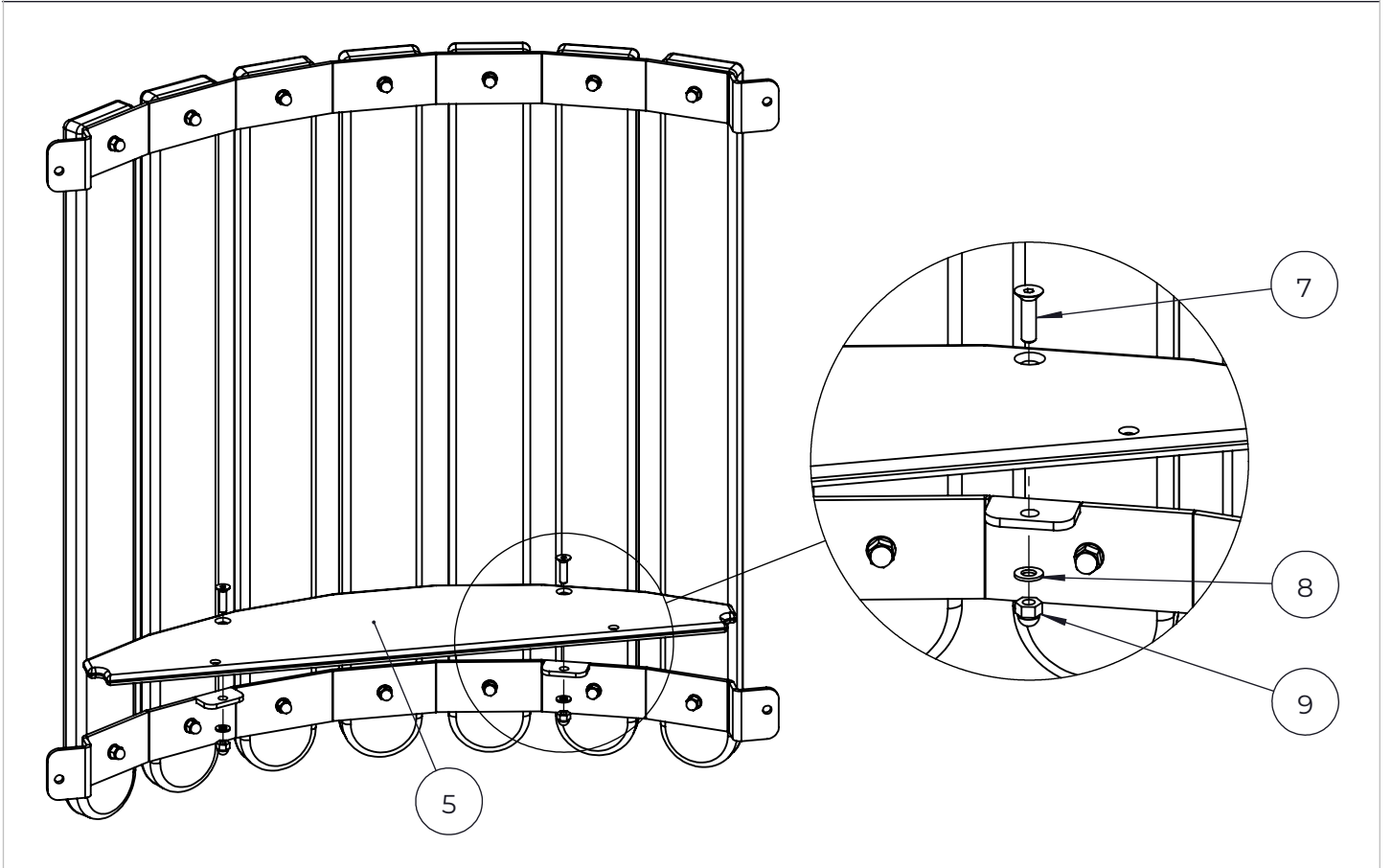
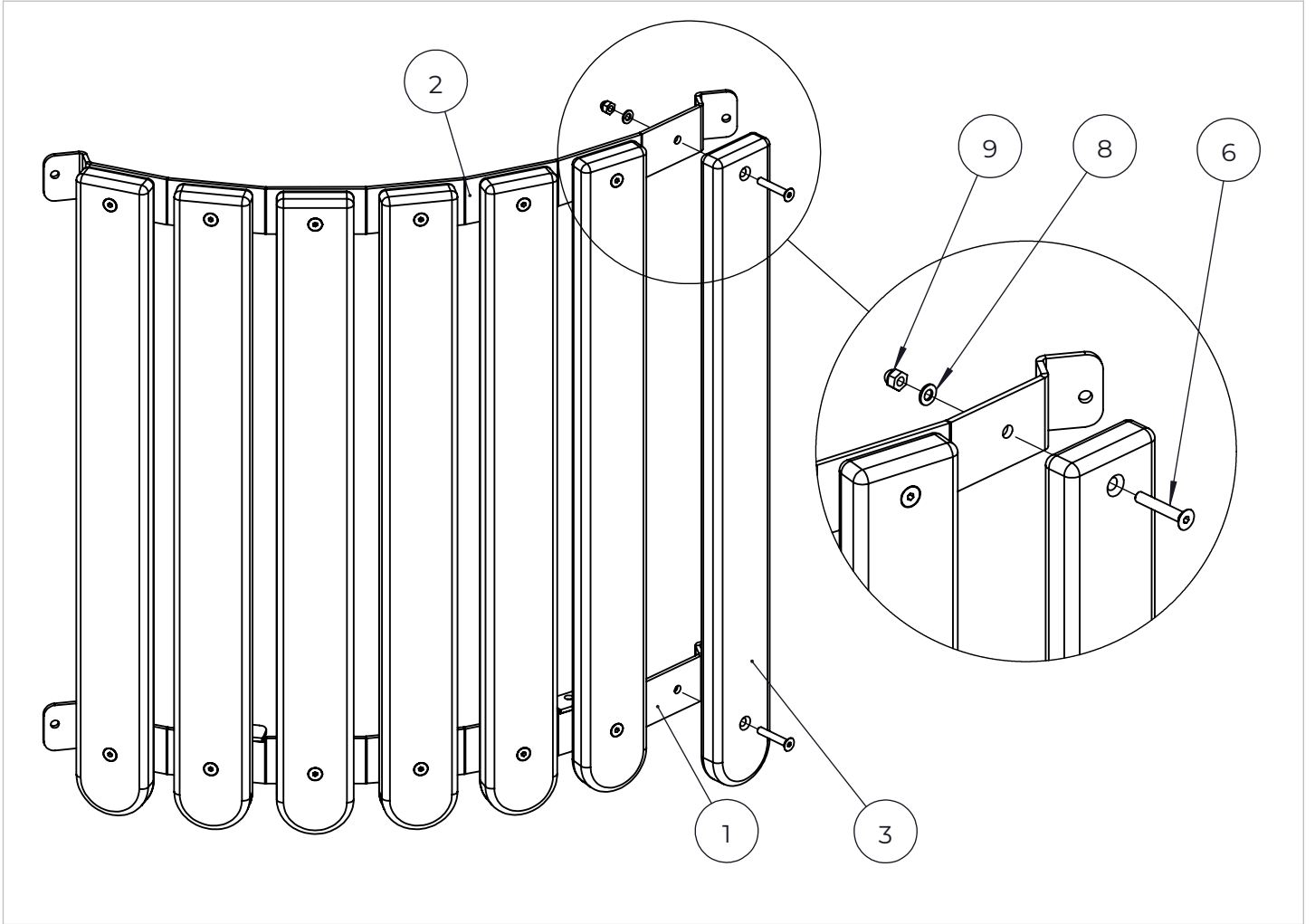


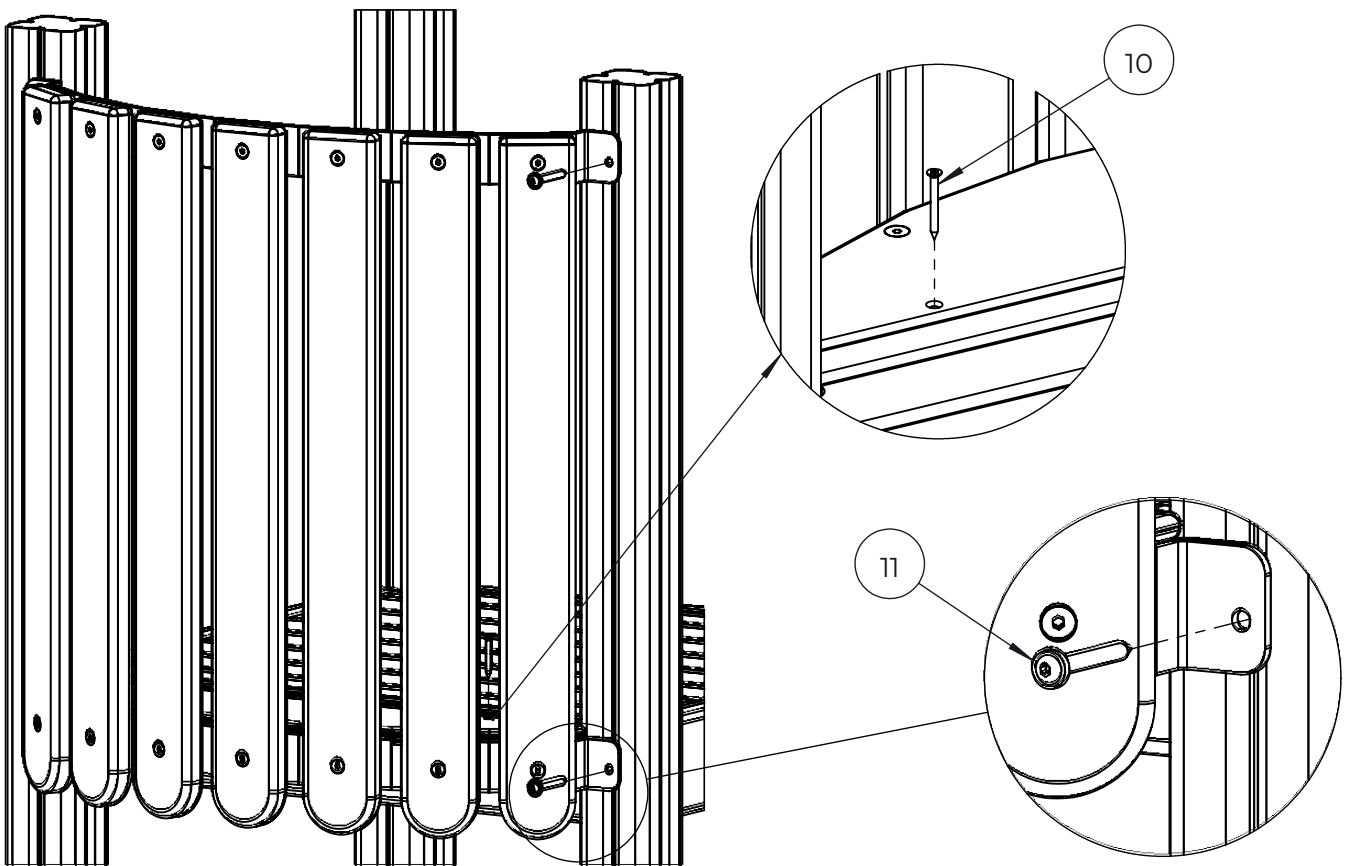
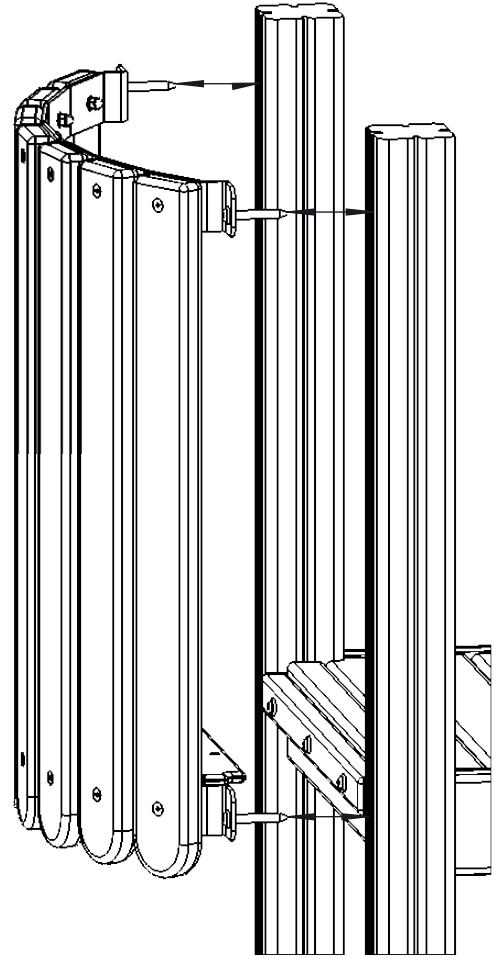
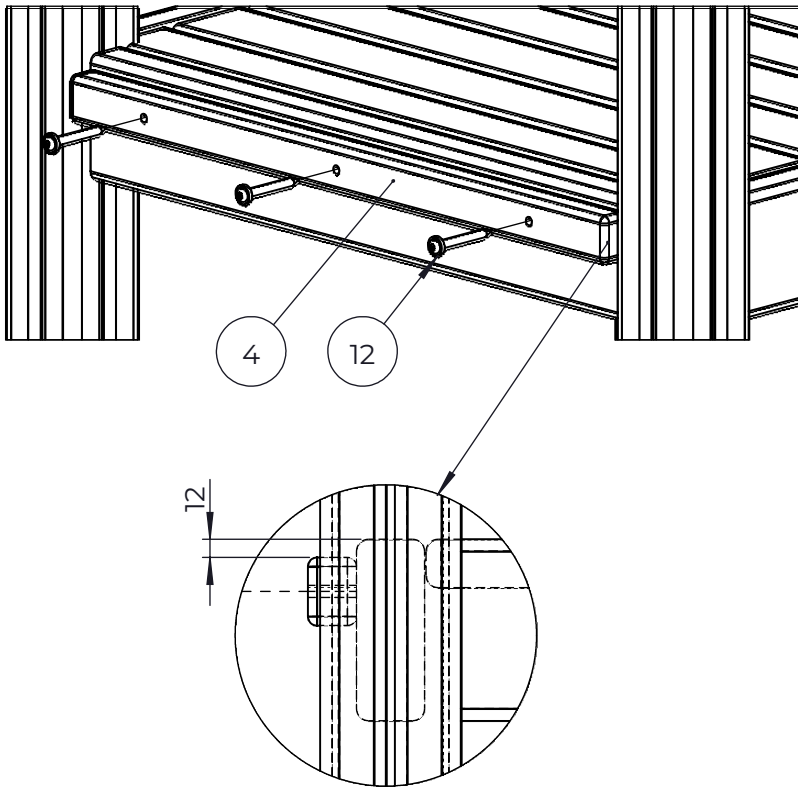


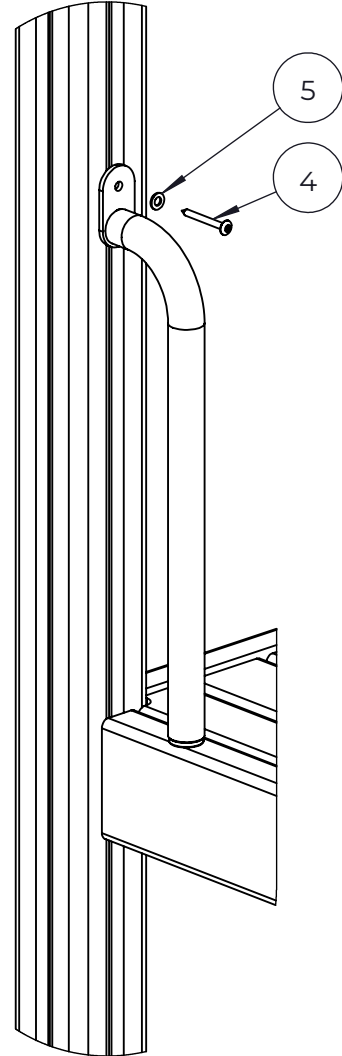
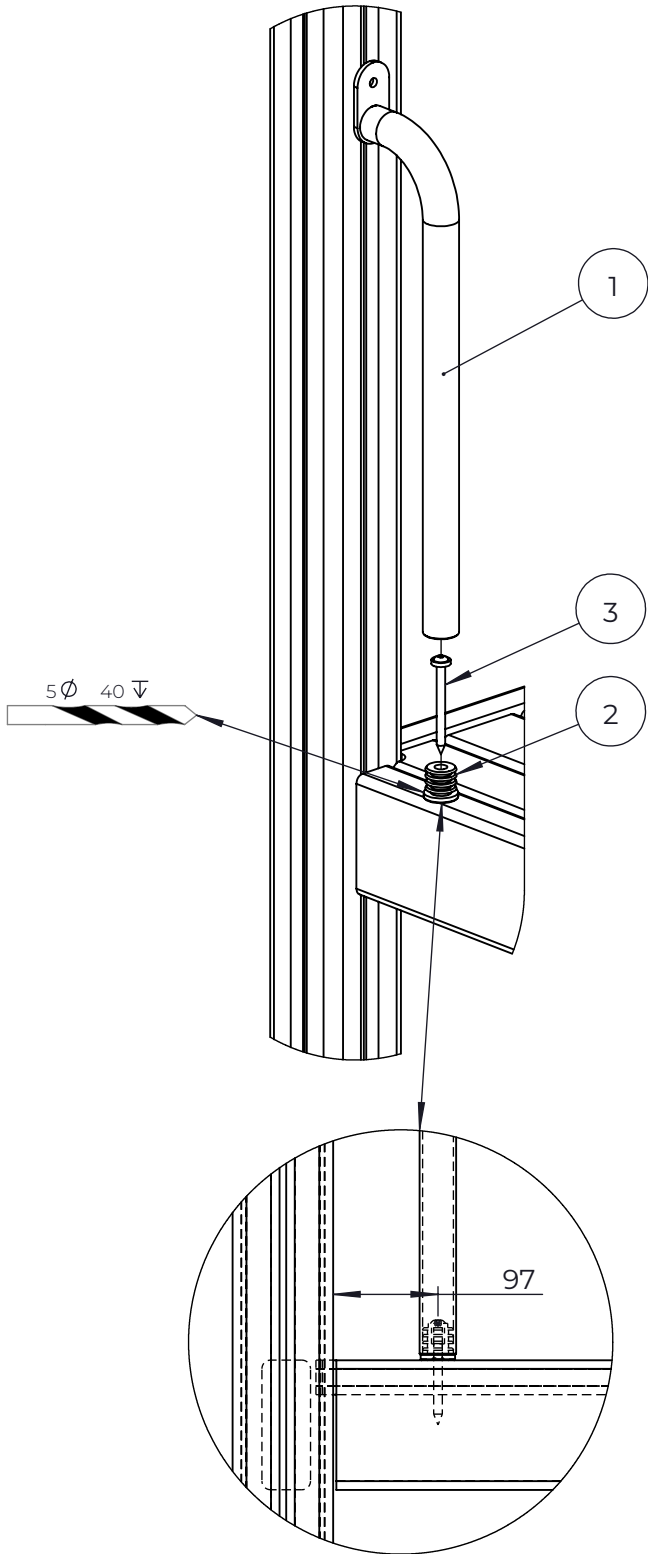
NO.	ITEM CODE			QTY.
1	711709	PLATE	12x343x747	2
2	914171	RAIL	Ø34x598	1
3	909876	ALLEN SCREW	M8x40	2
4	903093	SPECIAL SCREW	Ø8x90	2
5	980128	SPECIAL SCREW	Ø7x40	8
6	999561	THREAD GLUE HARD	10 g	1



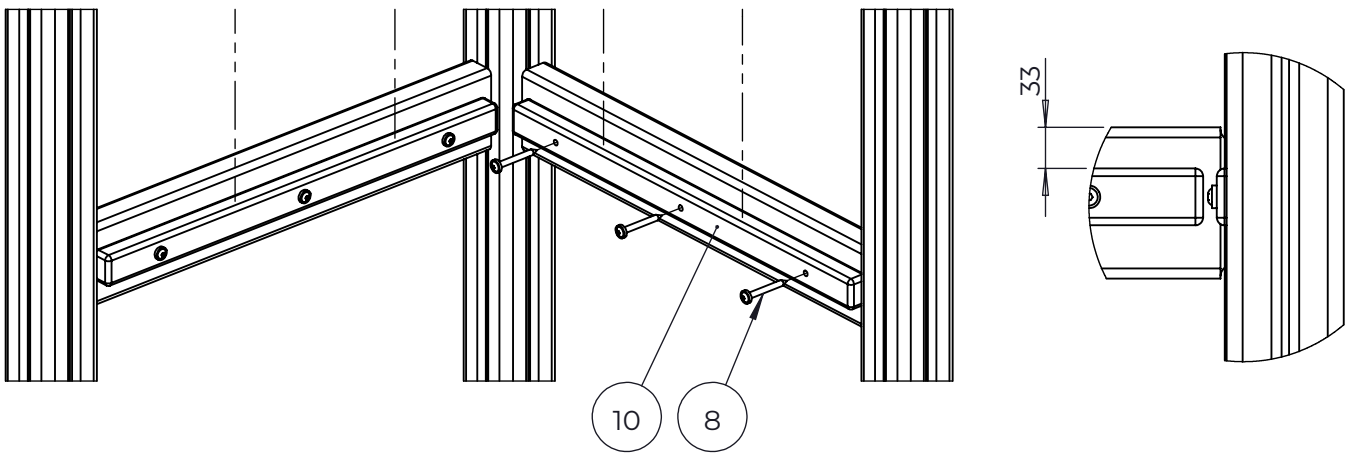
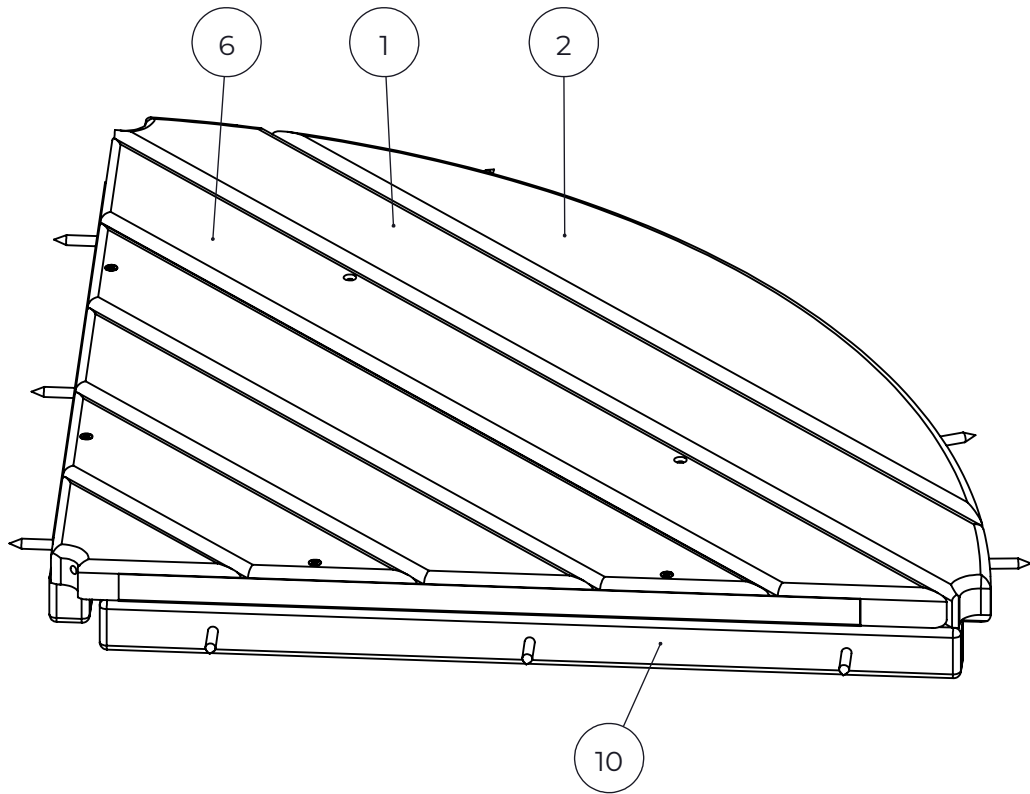
NO.	ITEM CODE			QTY.
1	914417	SUPPORT	60x155x826	1
2	914416	SUPPORT	60x155x826	1
3	710467	LATH	32x90x845	7
4	70644	STRIP	32x45x702	1
5	712053	FLOOR	12x176x732	1
6	909854	COUNTERSUNK SCREW	M8x50	14
7	900348	ALLEN SCREW	M8x30	2
8	909256	WASHER	Ø16/8.4x1.6	16
9	909633	NUT	M8	16
10	902270	SCREW	Ø5x50	2
11	900240	SPECIAL SCREW	Ø8x70	7



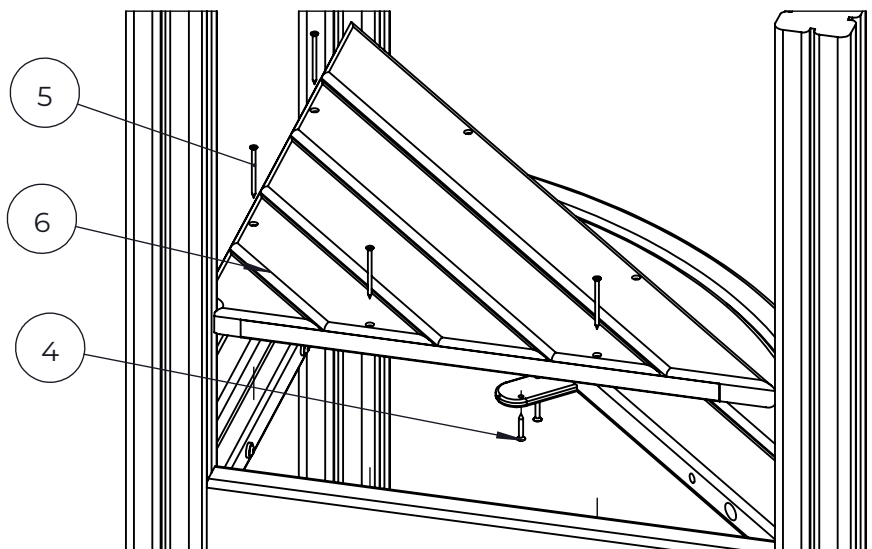
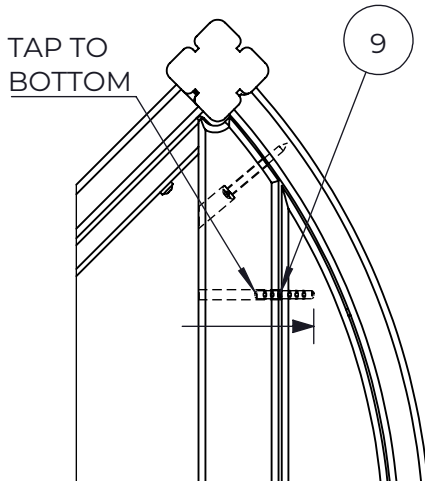
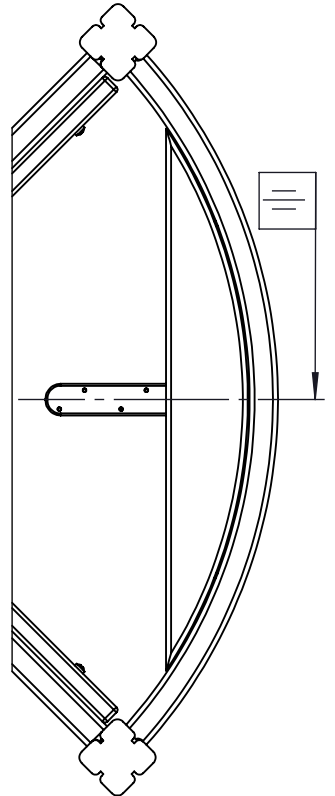
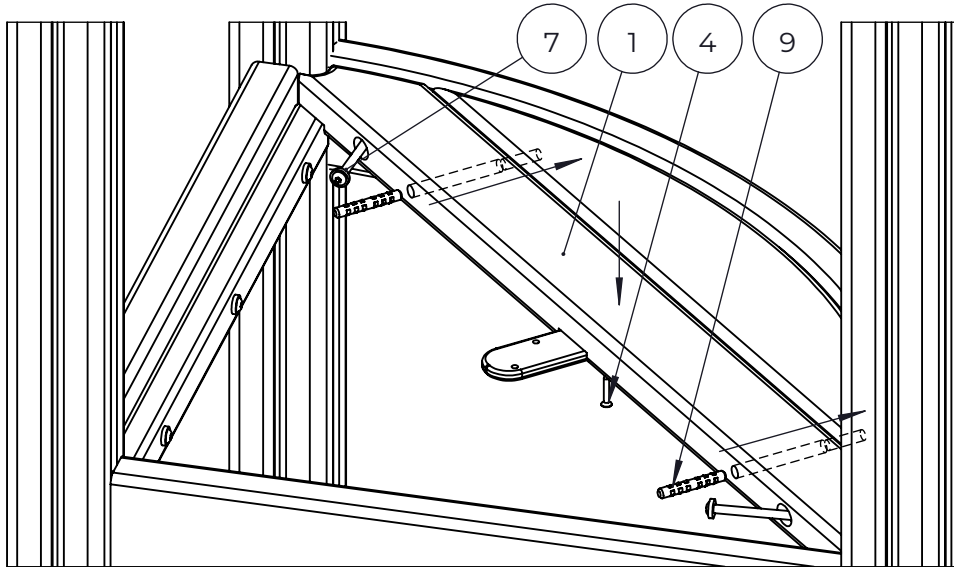
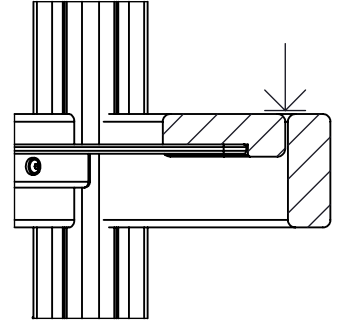
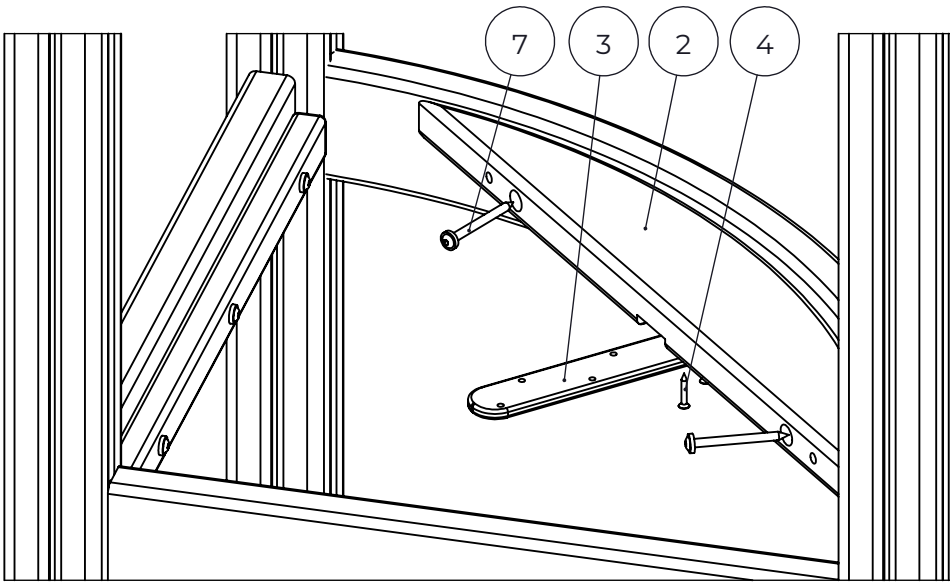


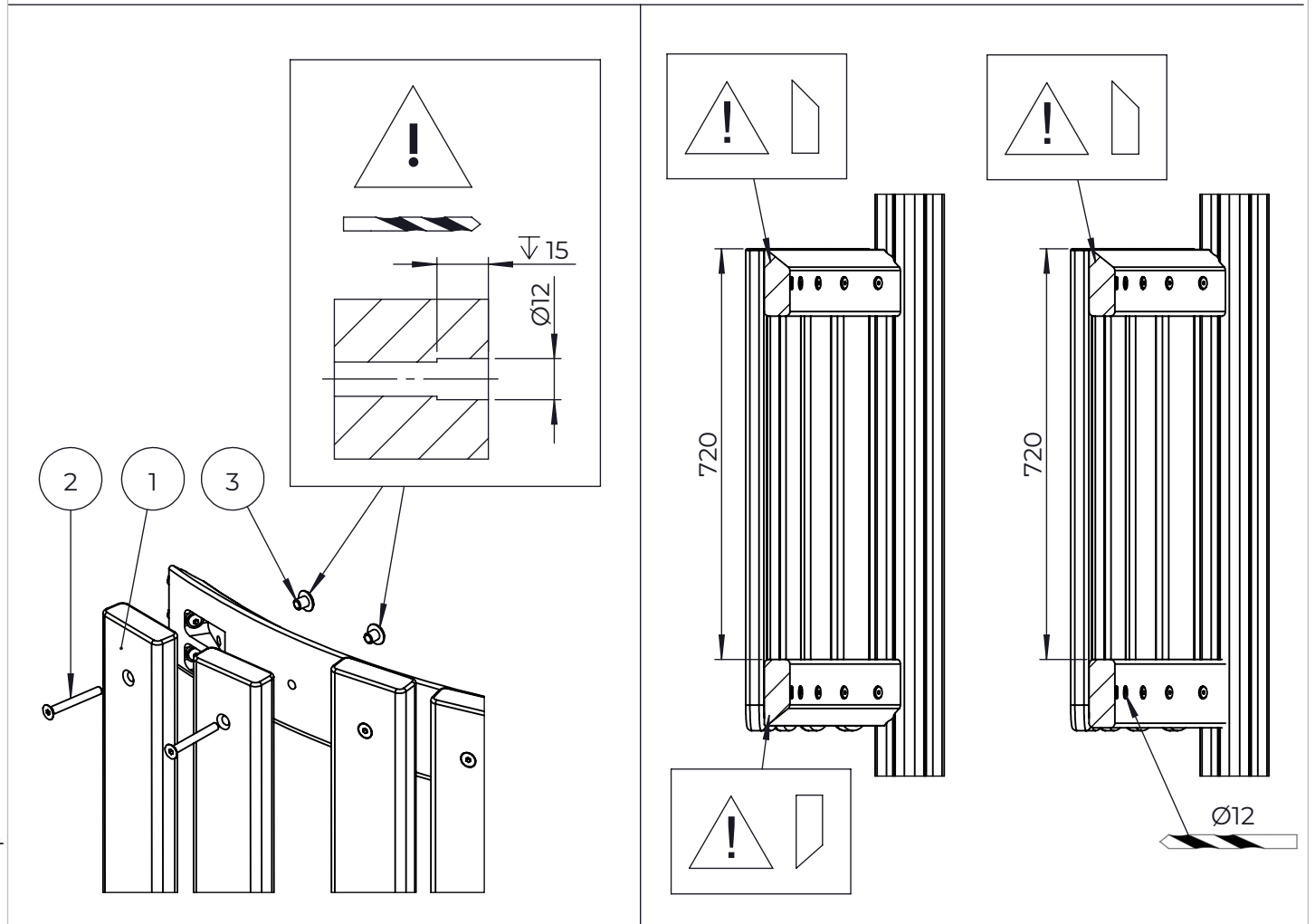
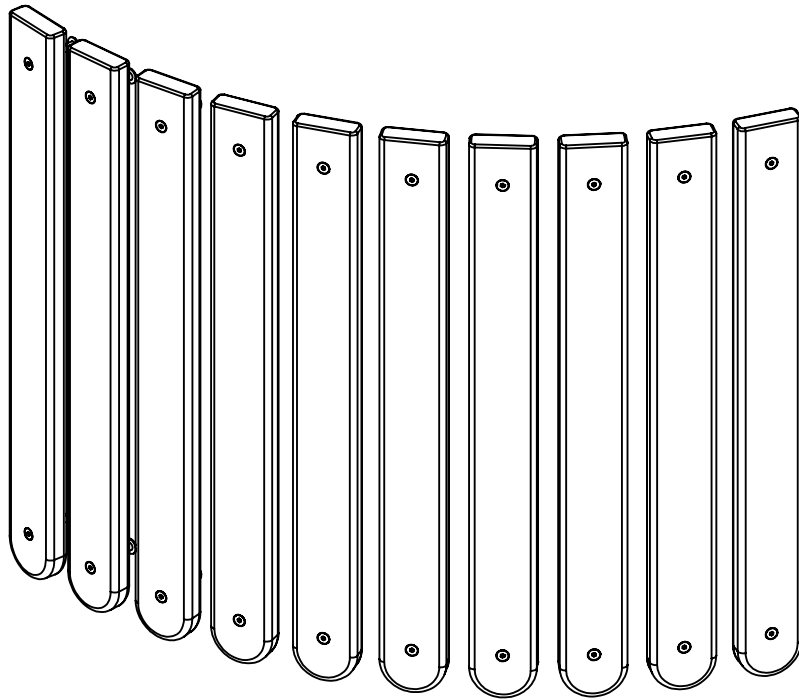


NO.	ITEM CODE			QTY.
1	914172	HAND GRIP	40x114x540	1
2	908057	CONNECTOR	Ø32/29-L5/30	1
3	903093	SPECIAL SCREW	Ø8x90	1
4	980123	SPECIAL SCREW	Ø7x60	1
5	909256	WASHER	Ø16/8.4x1.6	1

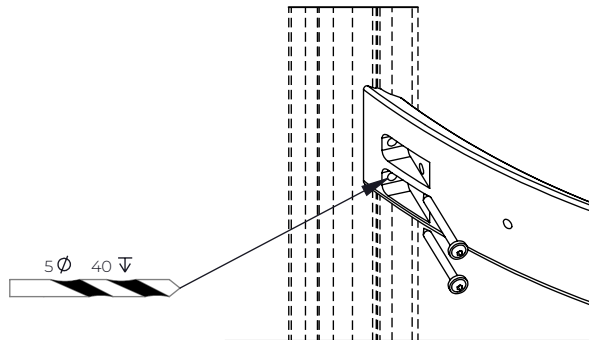
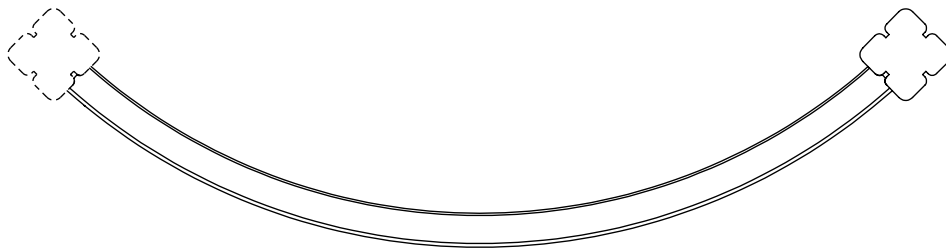
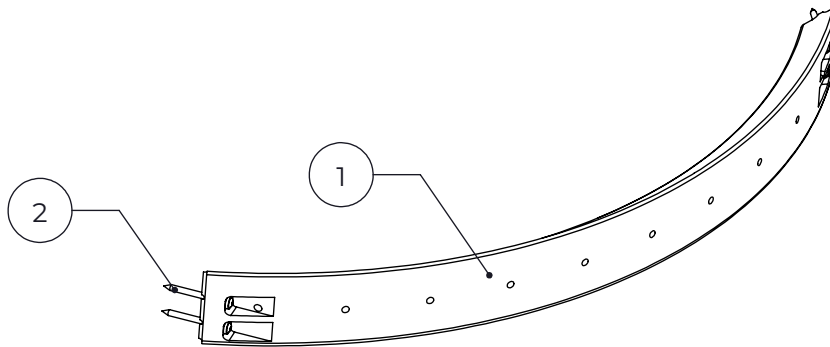


NO.	ITEM CODE			QTY.
1	710453	PLANK	45x95x1023	1
2	710405	PLANK	45x133x870	1
3	710466	PLATE	10x50x280	1
4	980129	SCREW	Ø5x35	6
5	980101	COUNTERSUNK SCREW	Ø4,5 x 70	4
6	712956	FLOOR ELEMENT	32x714x714	1
7	903093	SPECIAL SCREW	Ø8x90	4
8	900240	SPECIAL SCREW	Ø8x70	6
9	909567	PIN	Ø10 X 75	2
10	709709	STRIP	32x45x685	2

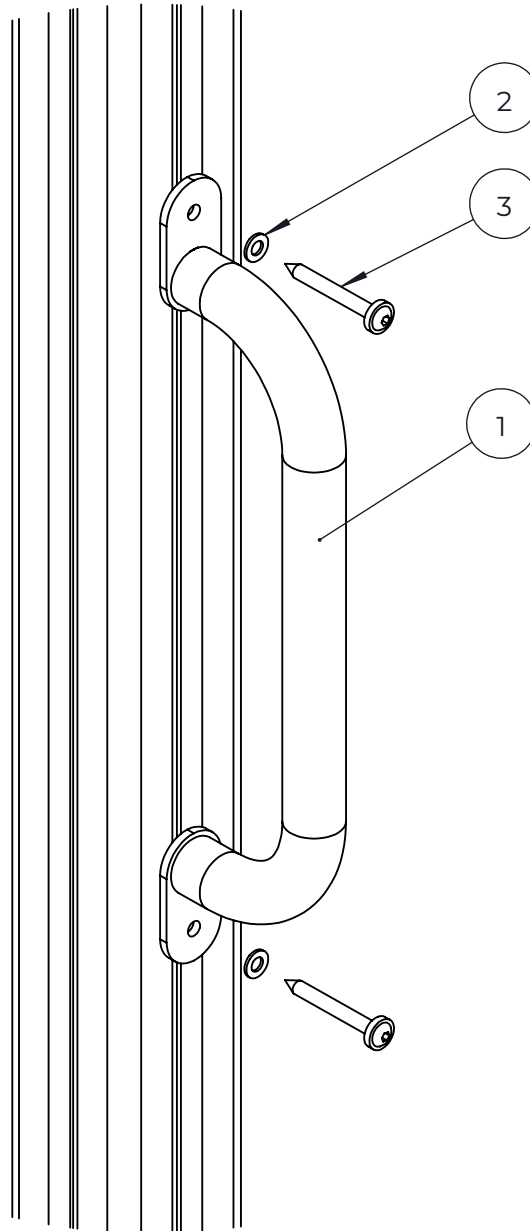




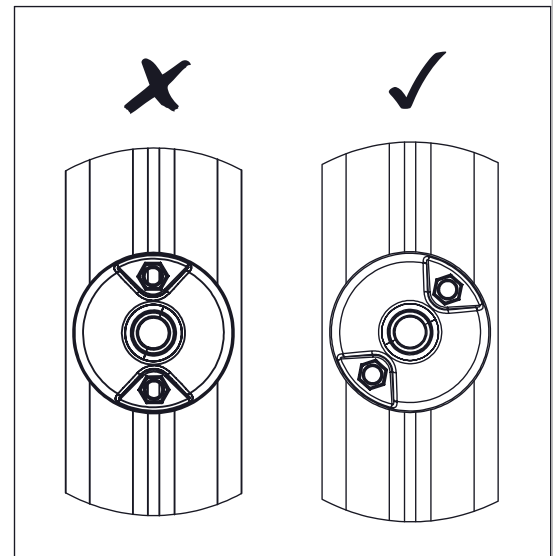
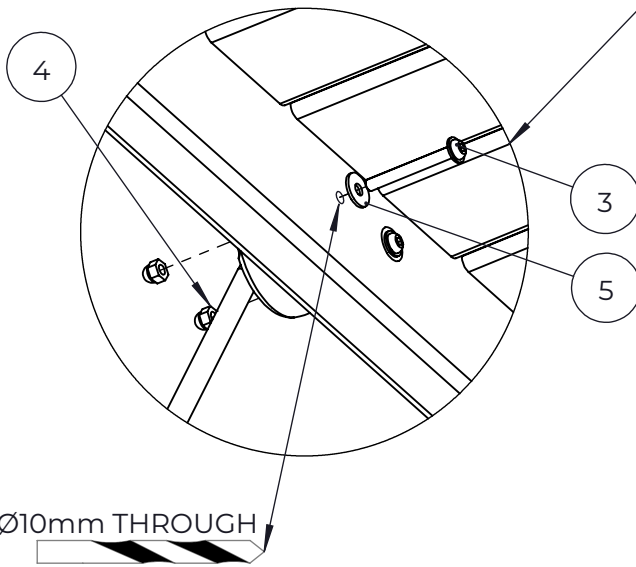
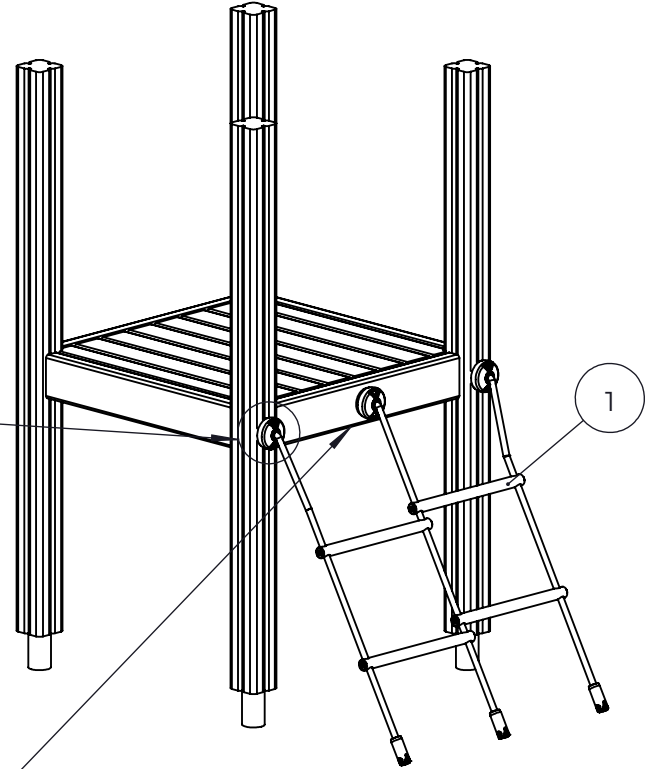
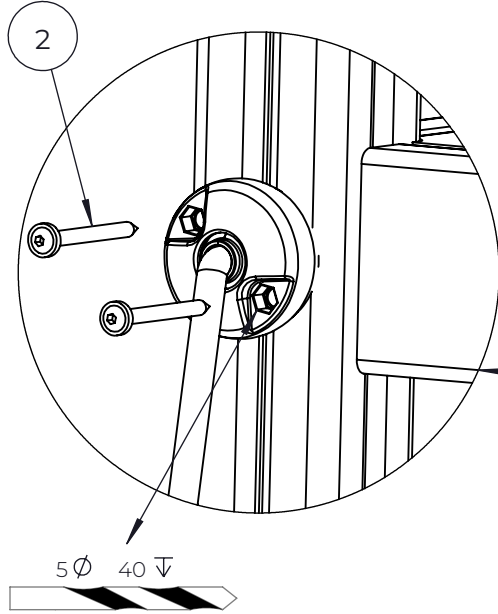
NO.	ITEM CODE			QTY.
1	710471	LATH	32x95x845	10
2	911808	COUNTERSUNK SCREW	M8x70	20
3	914858	SPECIAL NUT	M8x12	20



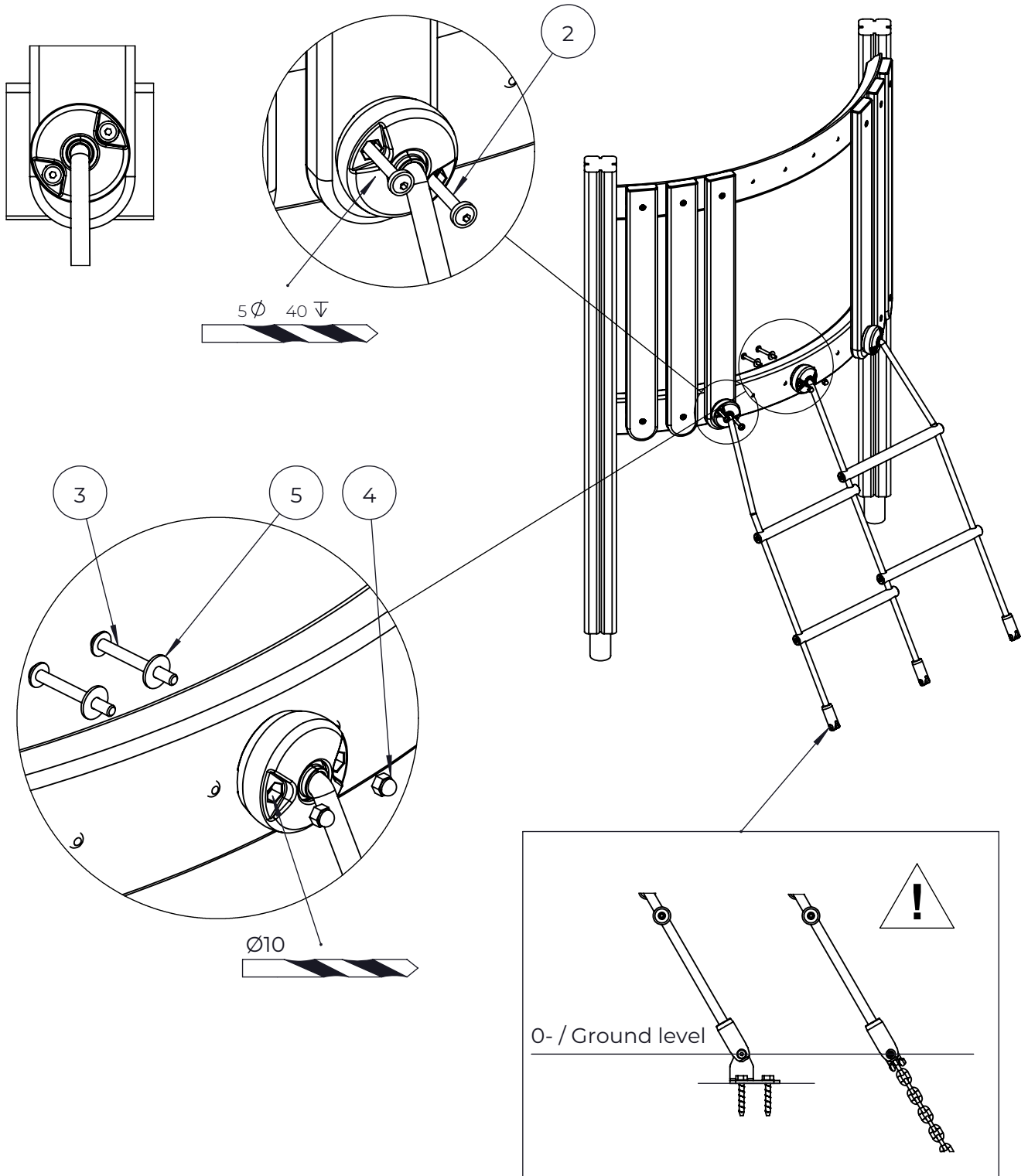
NO.	ITEM CODE			QTY.
1	710469	ARCH ELEMENT	45x120x1096	1
2	903093	SPECIAL SCREW	Ø8x90	4



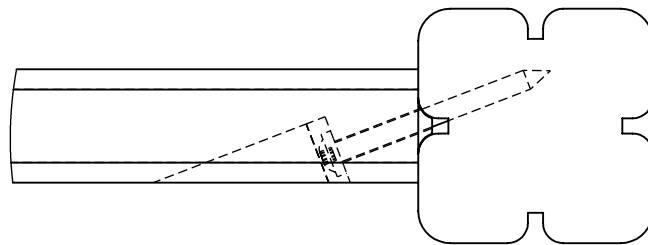
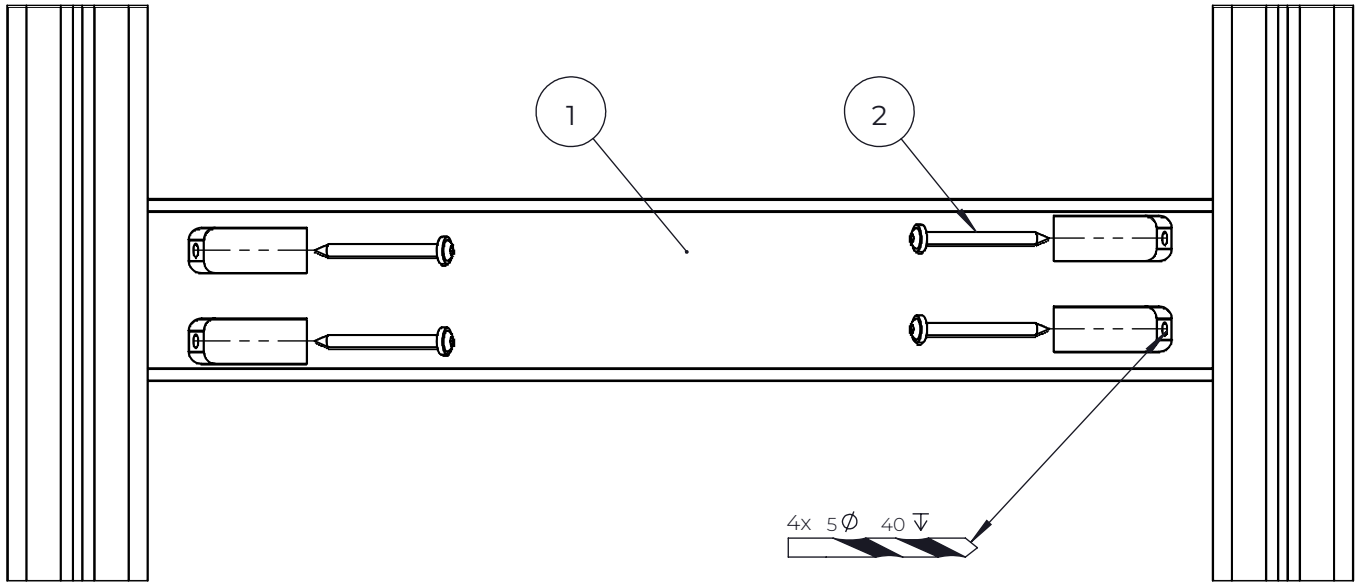
NO.	ITEM CODE			QTY.
1	914419	GRIP	40x119x490	1
2	909256	WASHER	Ø16/8.4x1.6	2
3	900240	SPECIAL SCREW	Ø8x70	2



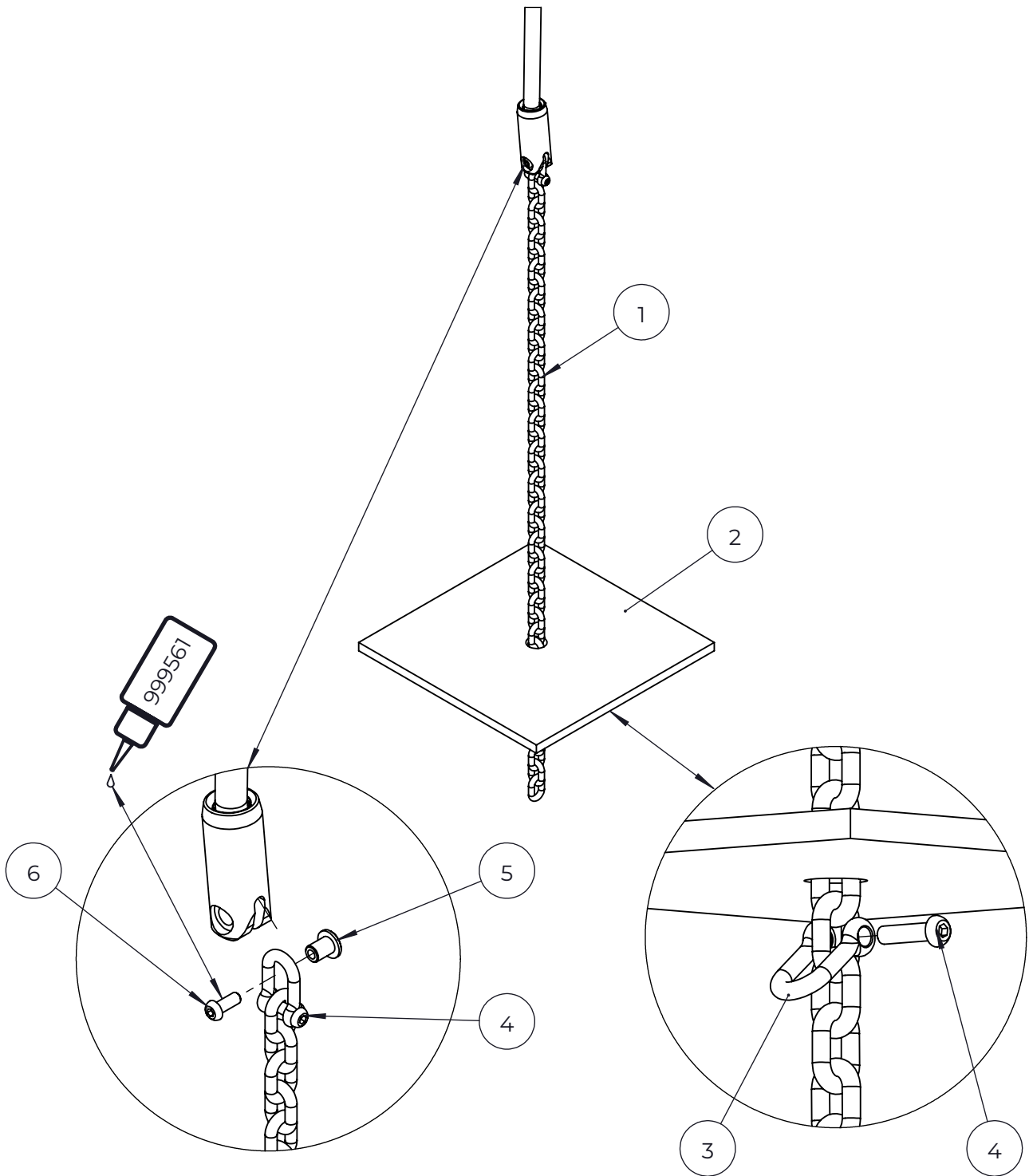
NO.	ITEM CODE			QTY.
1	712741	CLIMBING ELEMENT	+870	1
2	903093	SPECIAL SCREW	Ø8x90	4
3	909867	ALLEN SCREW	M8x70	2
4	909633	NUT	M8	2
5	980152	WASHER	Ø24/8.4x2	2



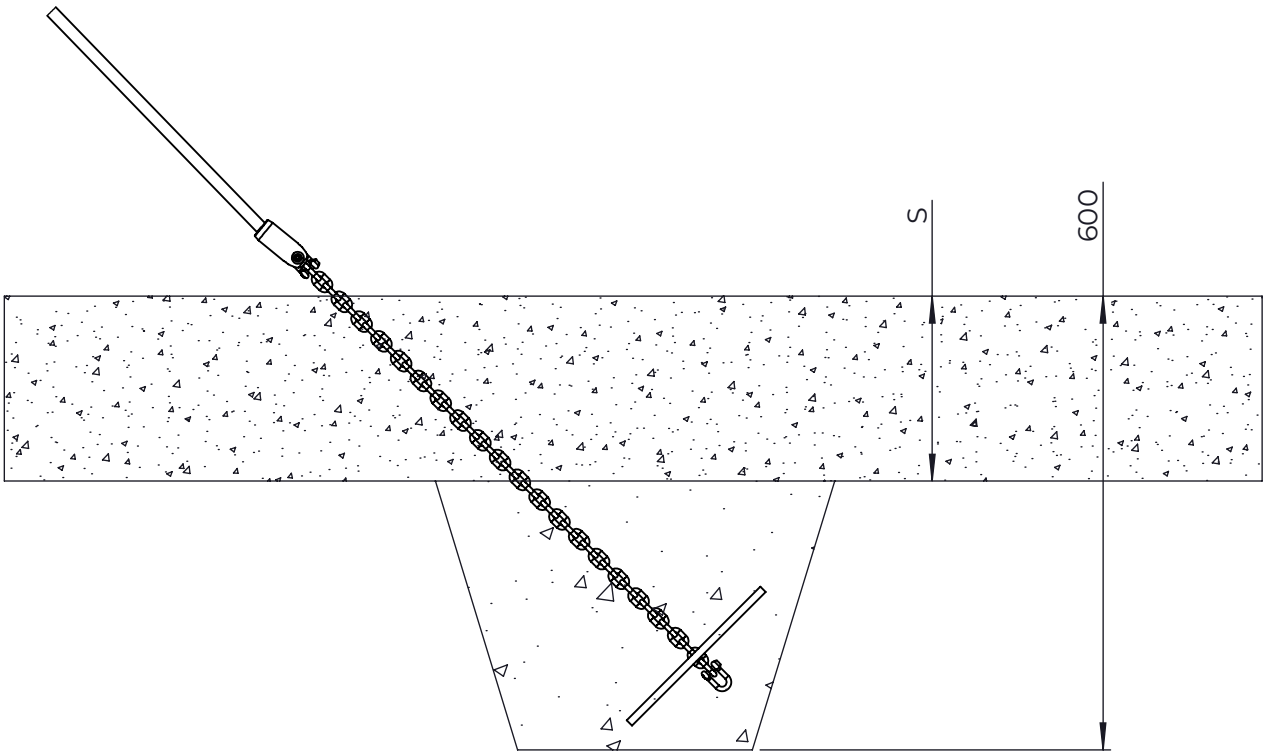
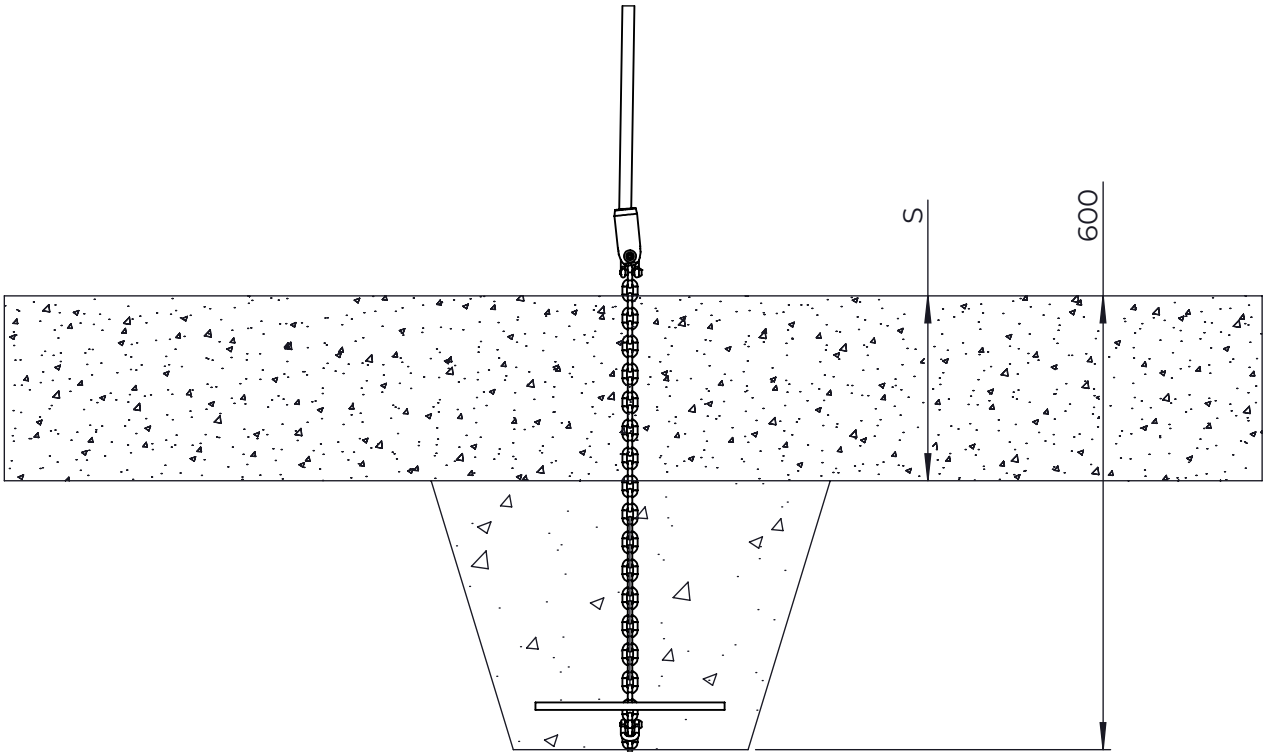
NO.	ITEM CODE			QTY.
1	712741	CLIMBING ELEMENT	+870	1
2	903093	SPECIAL SCREW	Ø8x90	4
3	909867	ALLEN SCREW	M8x70	2
4	909633	NUT	M8	2
5	980152	WASHER	Ø24/8.4x2	2

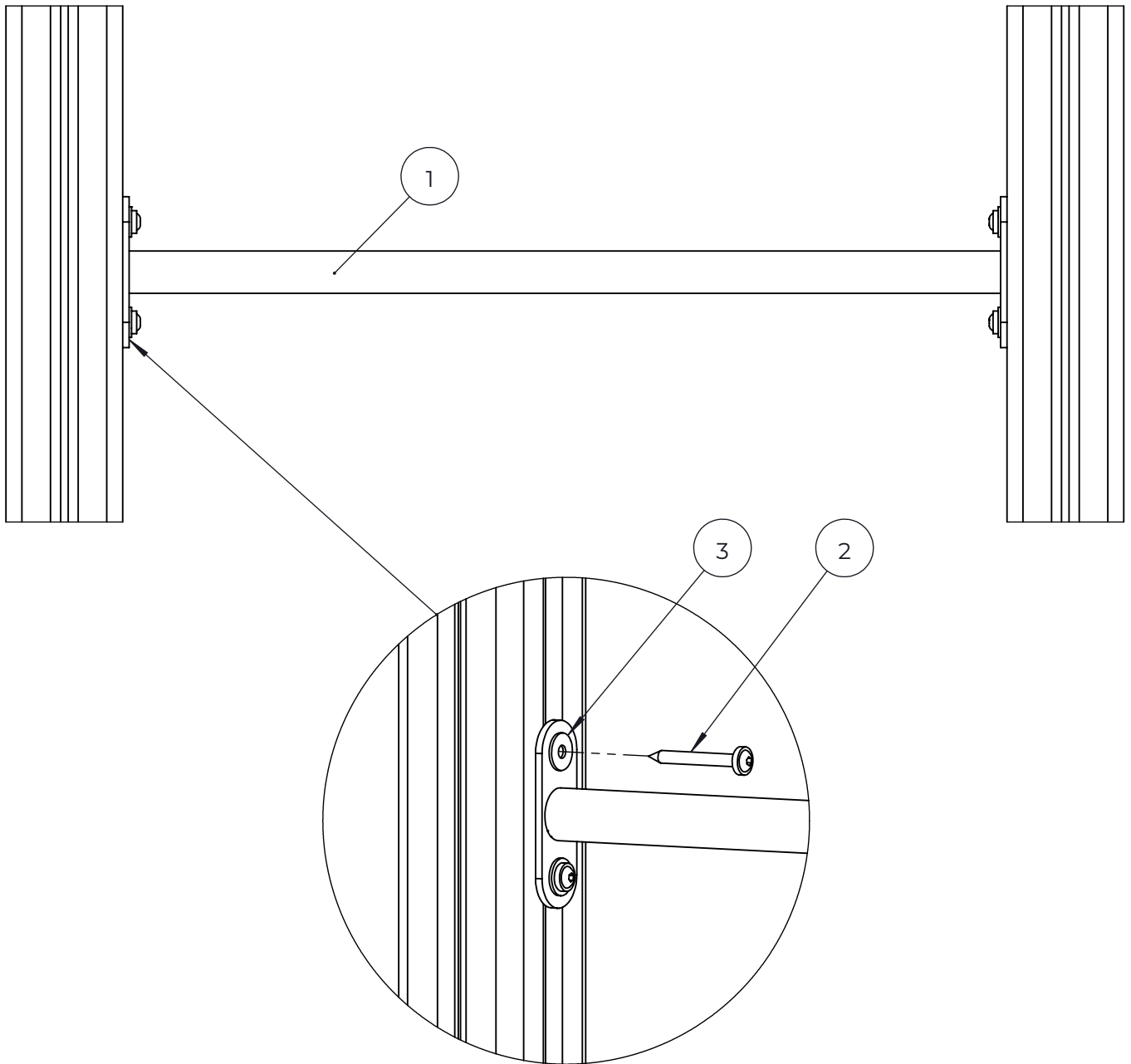


NO.	ITEM CODE			QTY.
1	712079	BOOM	45x120x715	1
2	903093	SPECIAL SCREW	Ø8x90	4

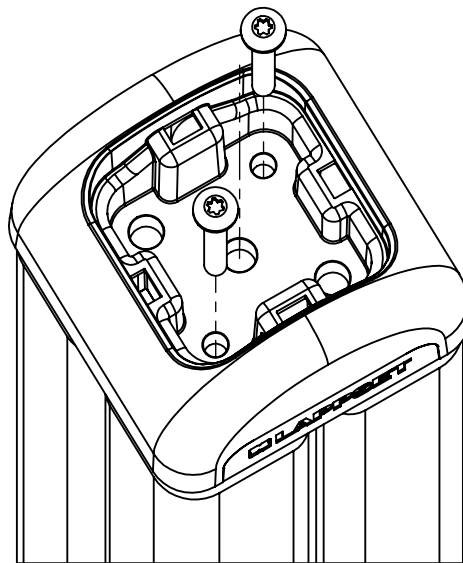
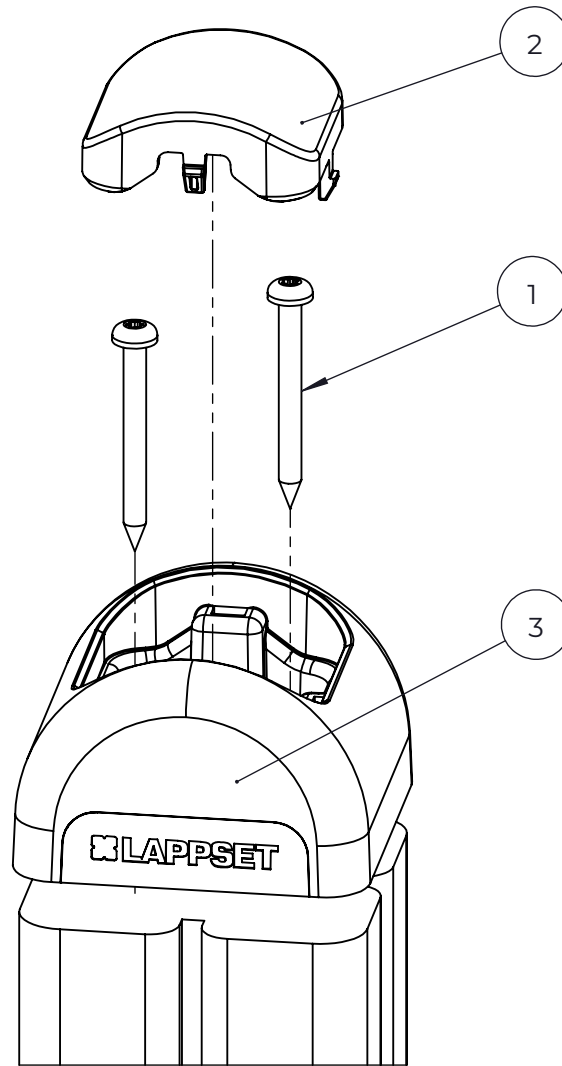


NO.	ITEM CODE			QTY.
1	914905	CHAIN		1
2	712587	PLATE	250x250x10	1
3	909636	SHACKEL	M6x38x24	2
4	906985	ALLEN SCREW	M6x25	2
5	900850	SPECIAL NUT	M6	1
6	909310	ALLEN SCREW	M6 x 16	1

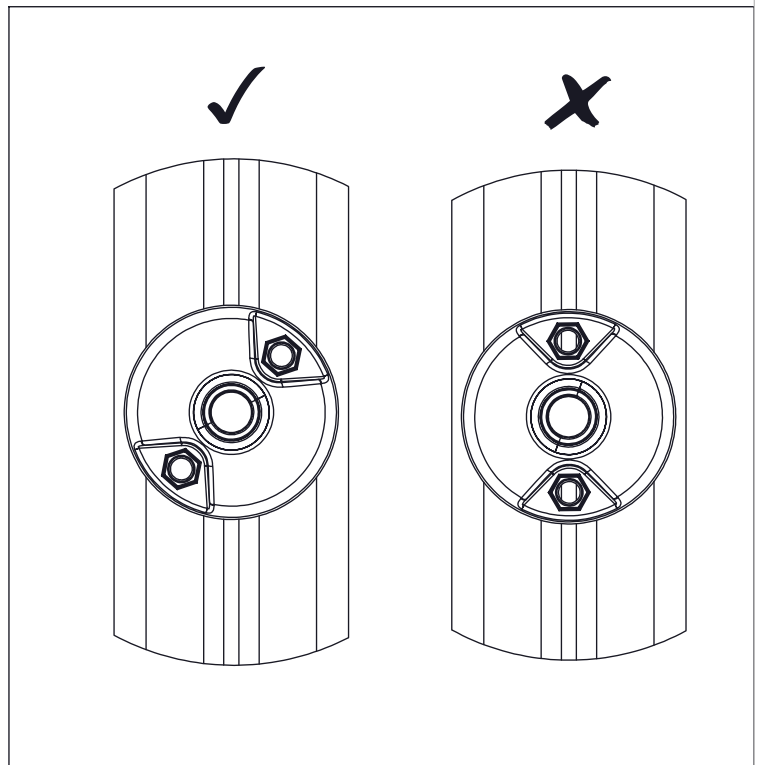
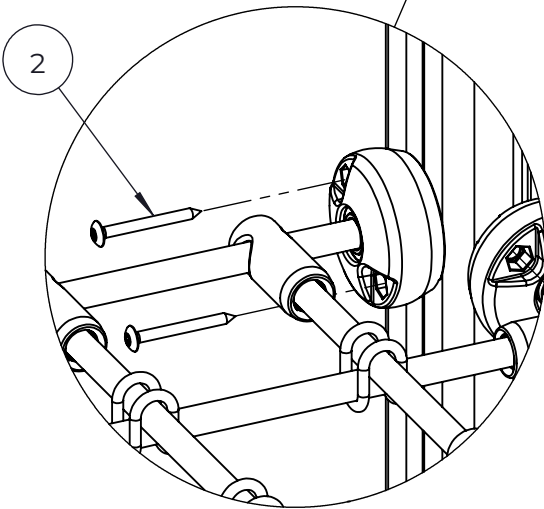
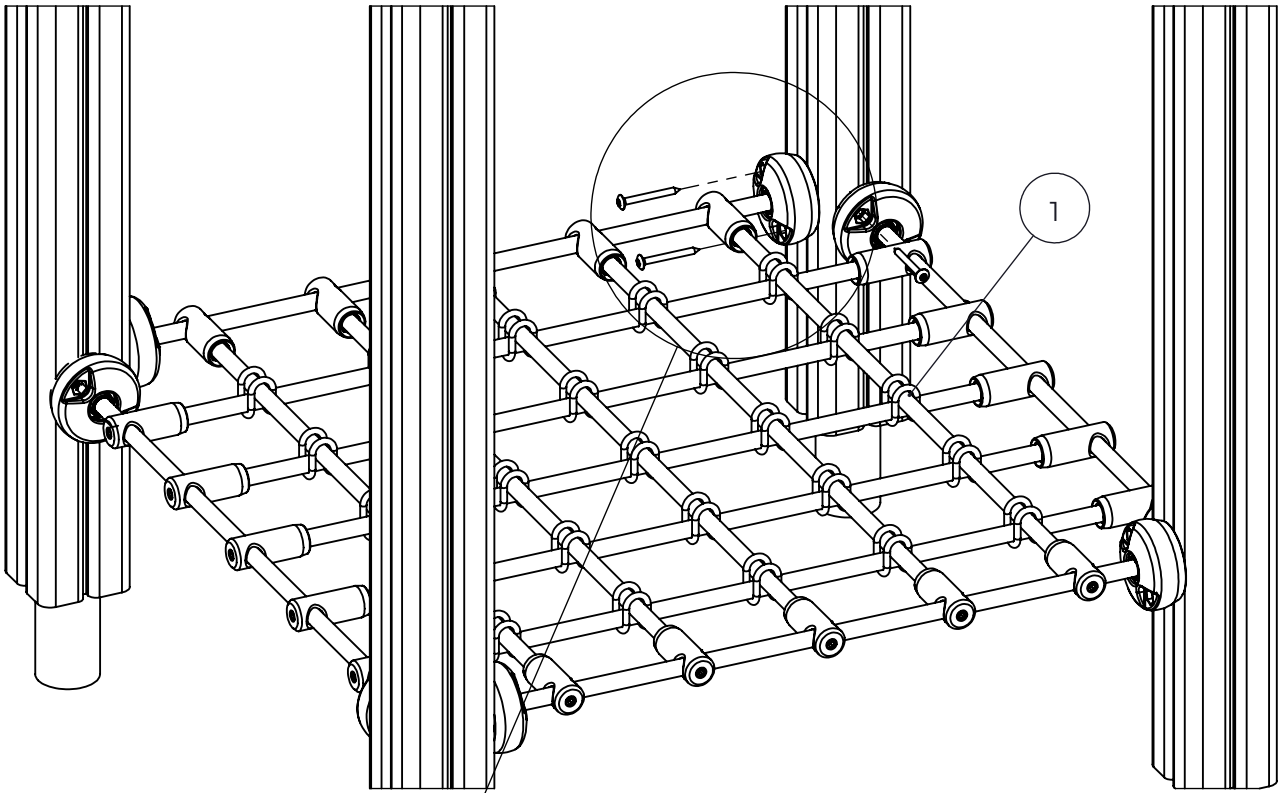




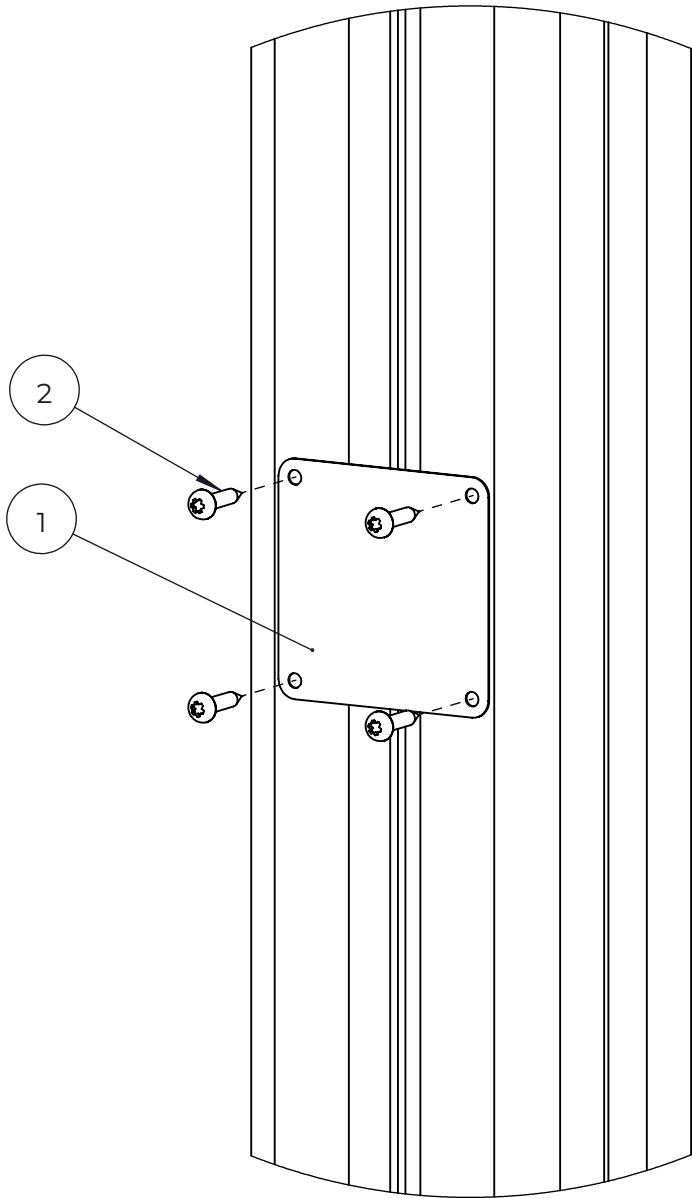
NO.	ITEM CODE			QTY.
1	914099	BAR ELEMENT	40x120x704	1
2	900240	SPECIAL SCREW	Ø8x70	4
3	980152	WASHER	Ø24/8.4x2	4



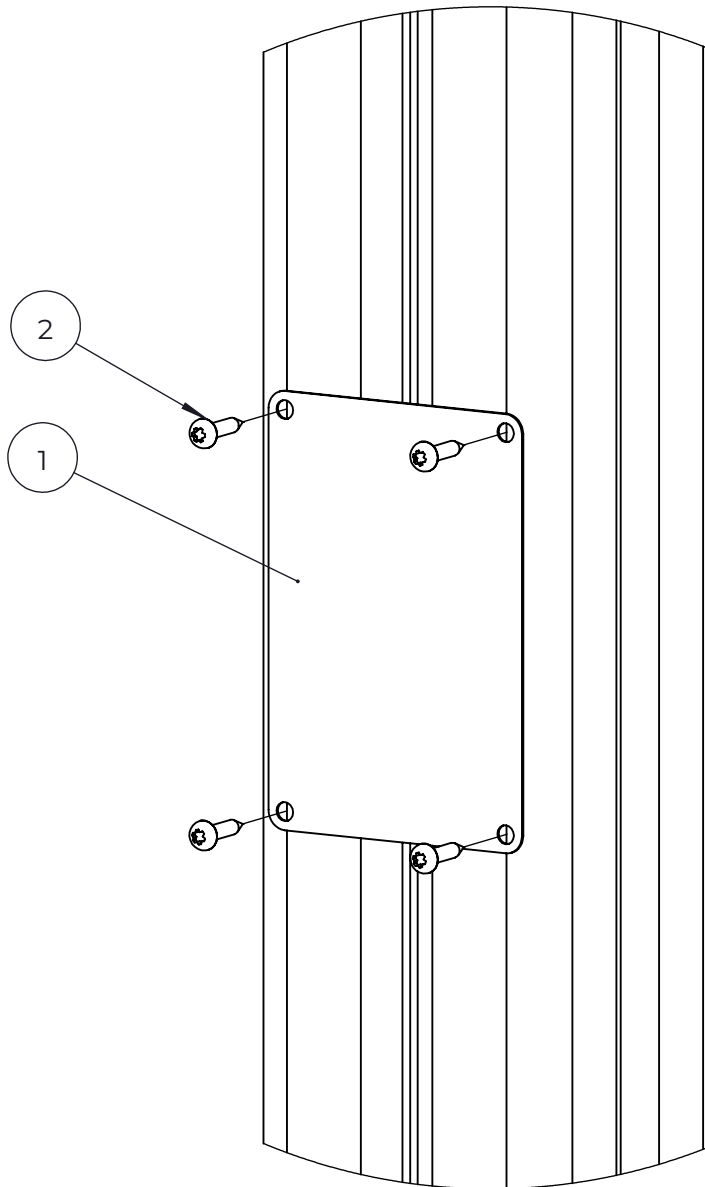
NO.	ITEM CODE			QTY.
1	980131	SCREW	Ø6x60	2
2	915379	TOP HAT COVER	67,5x67,6x34	1
3	915378	TOP HAT BASE	95x95x60	1



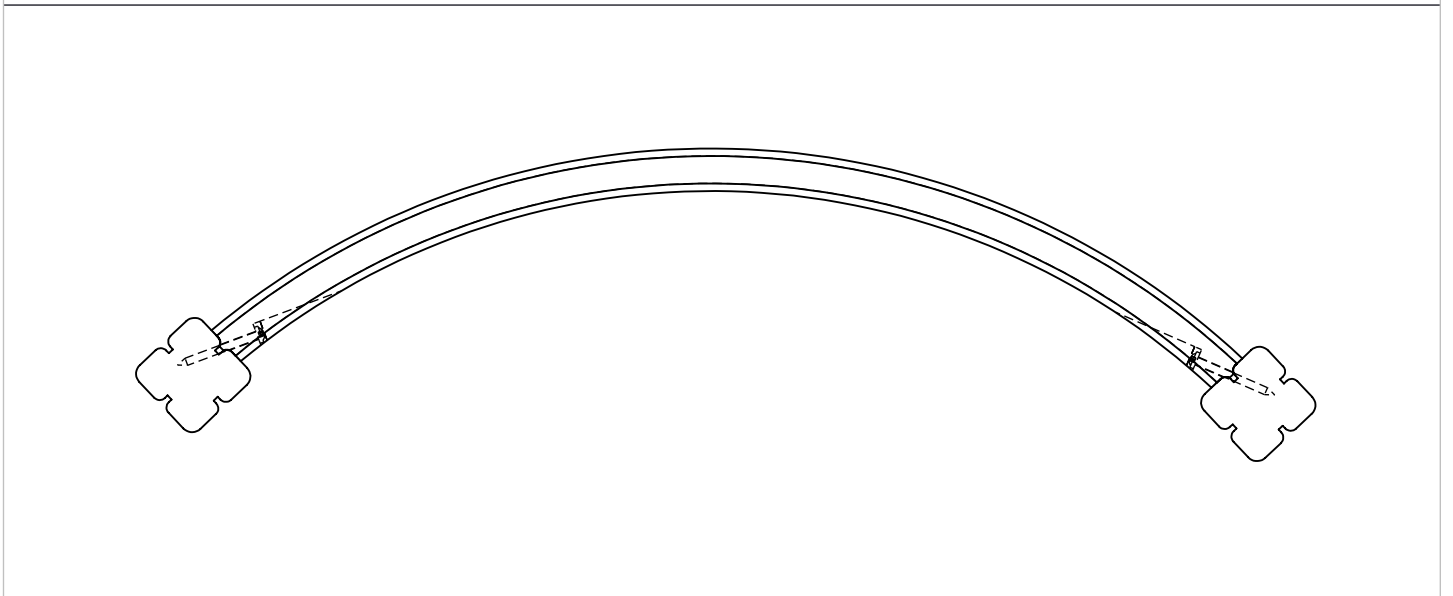
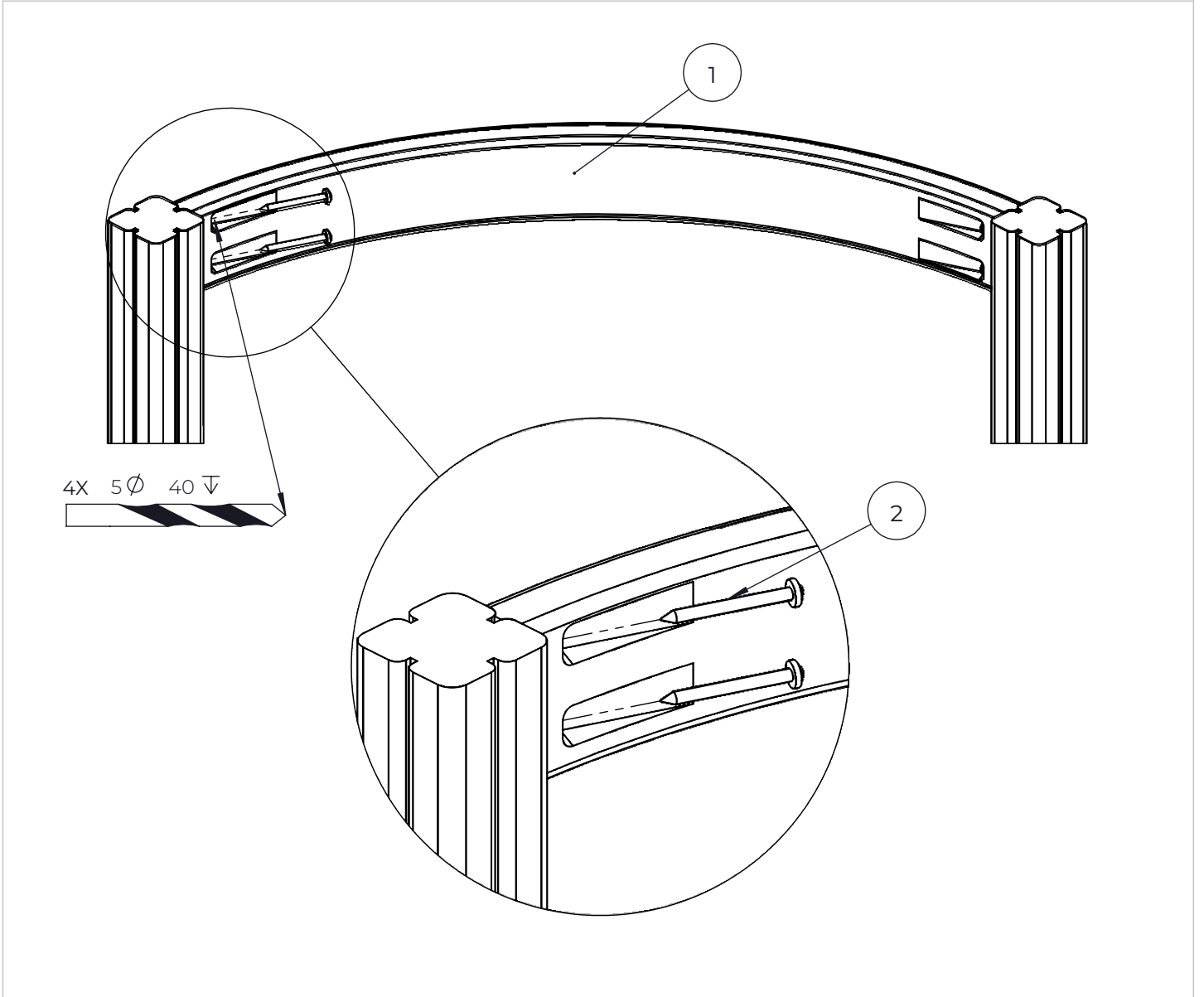
NO.	ITEM CODE			QTY.
1	712182	NET ASSEMBLY	707x707	1
2	980123	SPECIAL SCREW	Ø7x60	16



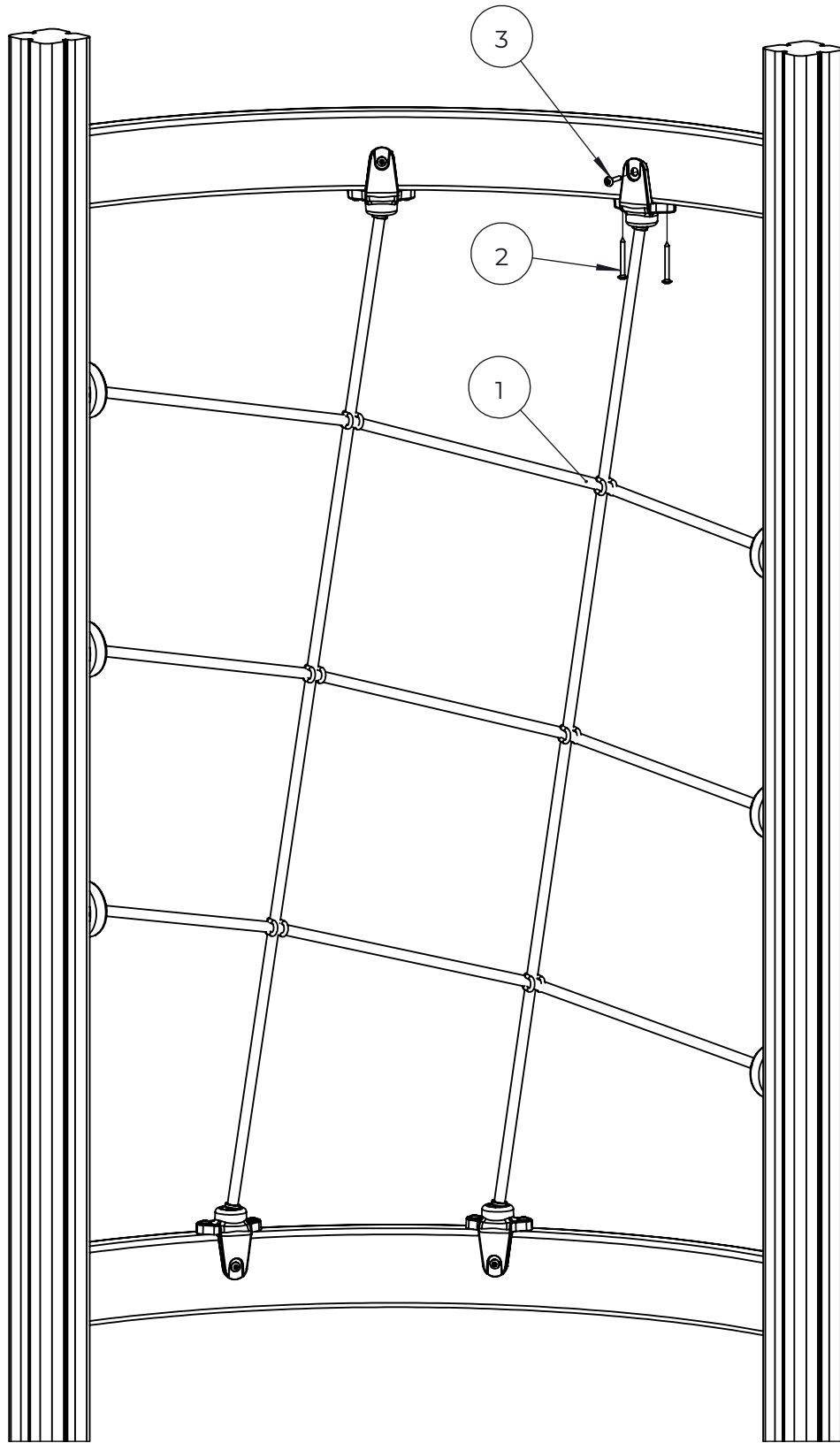
NO.	ITEM CODE			QTY.
1	702286	PRINTED LABEL	65x65	1
2	980114	SCREW	Ø4x20	4



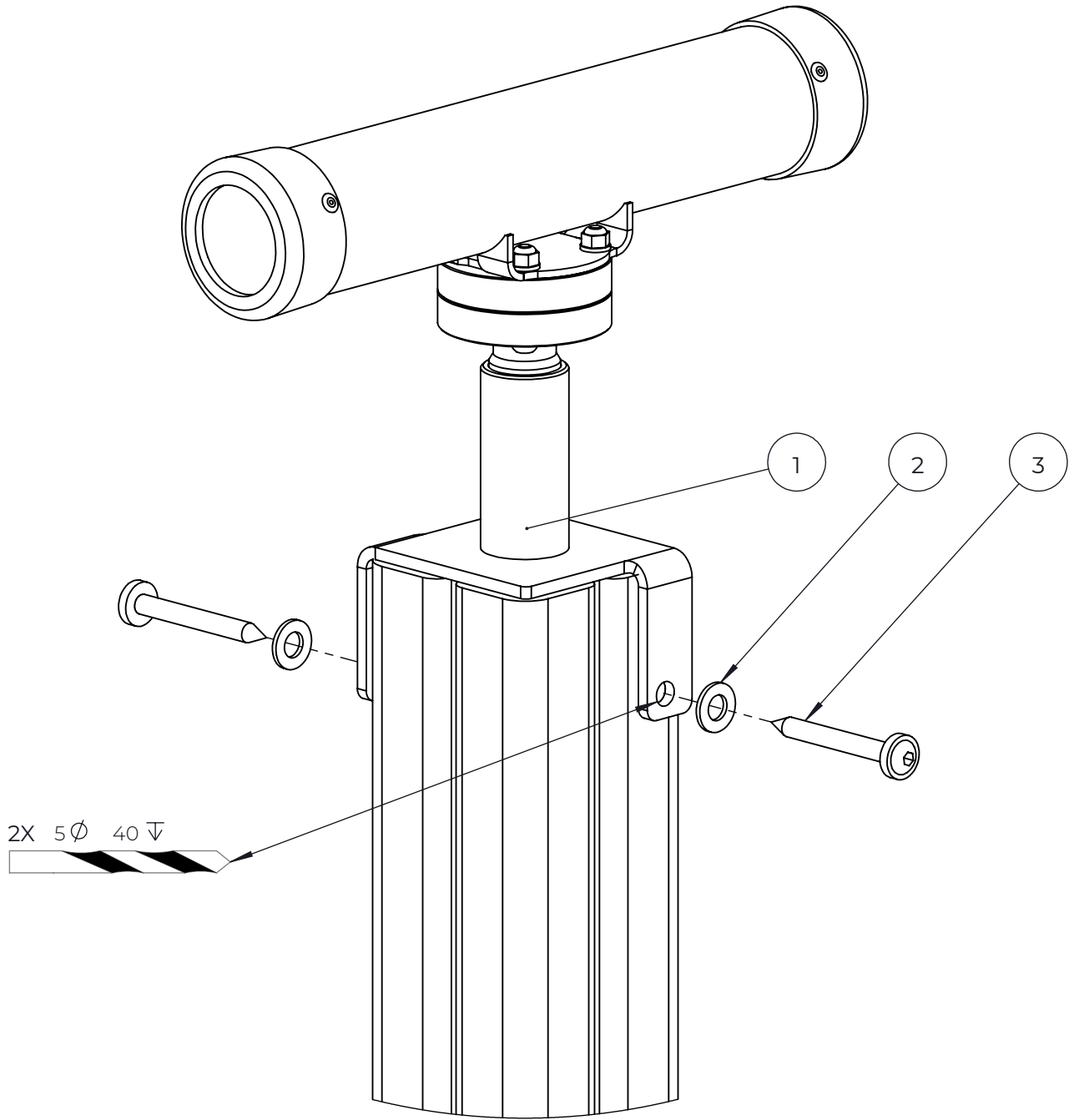
NO.	ITEM CODE			QTY.
1	702339	PRINTED LABEL	118x78	1
2	980114	SCREW	Ø4x20	4



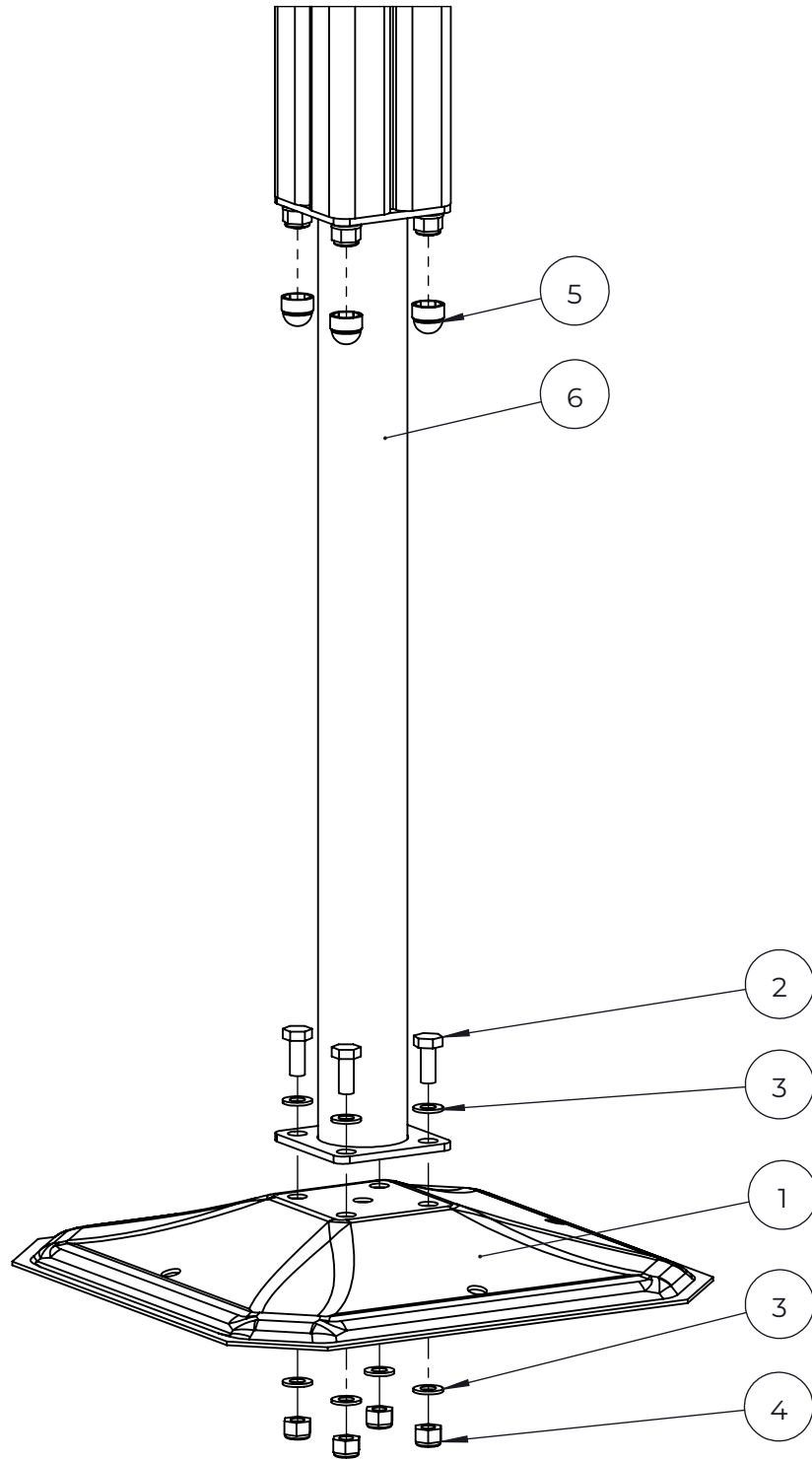
NO.	ITEM CODE			QTY.
1	711718	ARCH ELEMENT	45x120x1096	1
2	903093	SPECIAL SCREW	Ø8x90	4



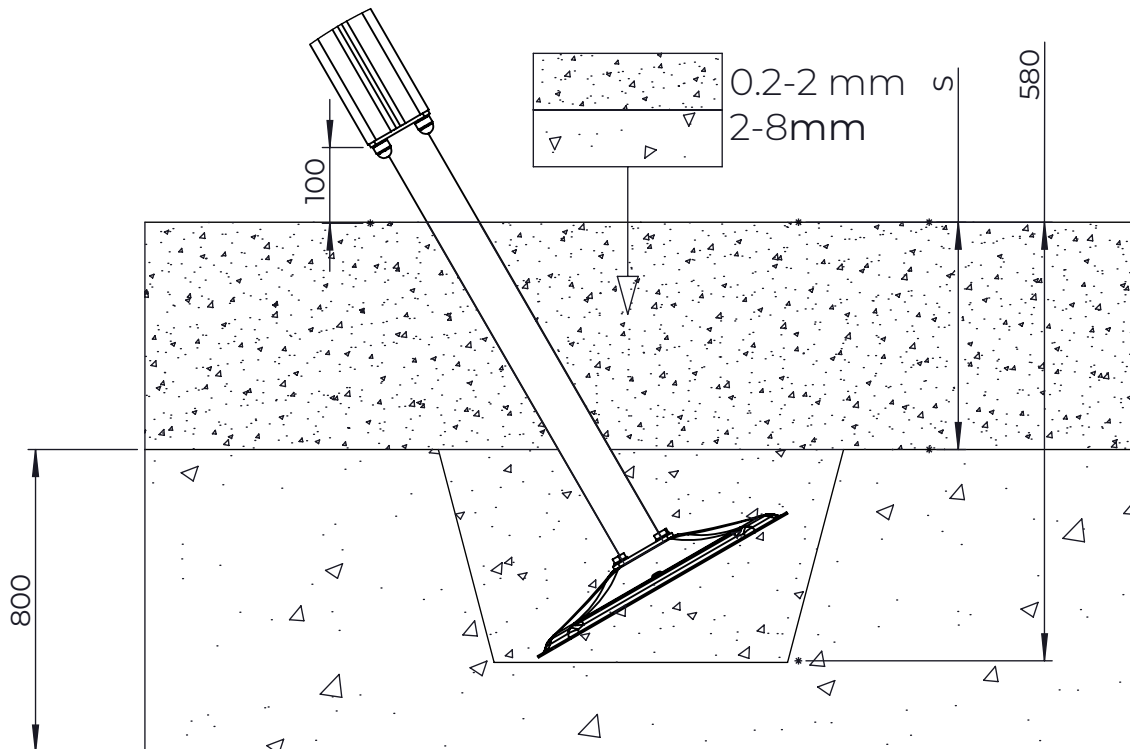
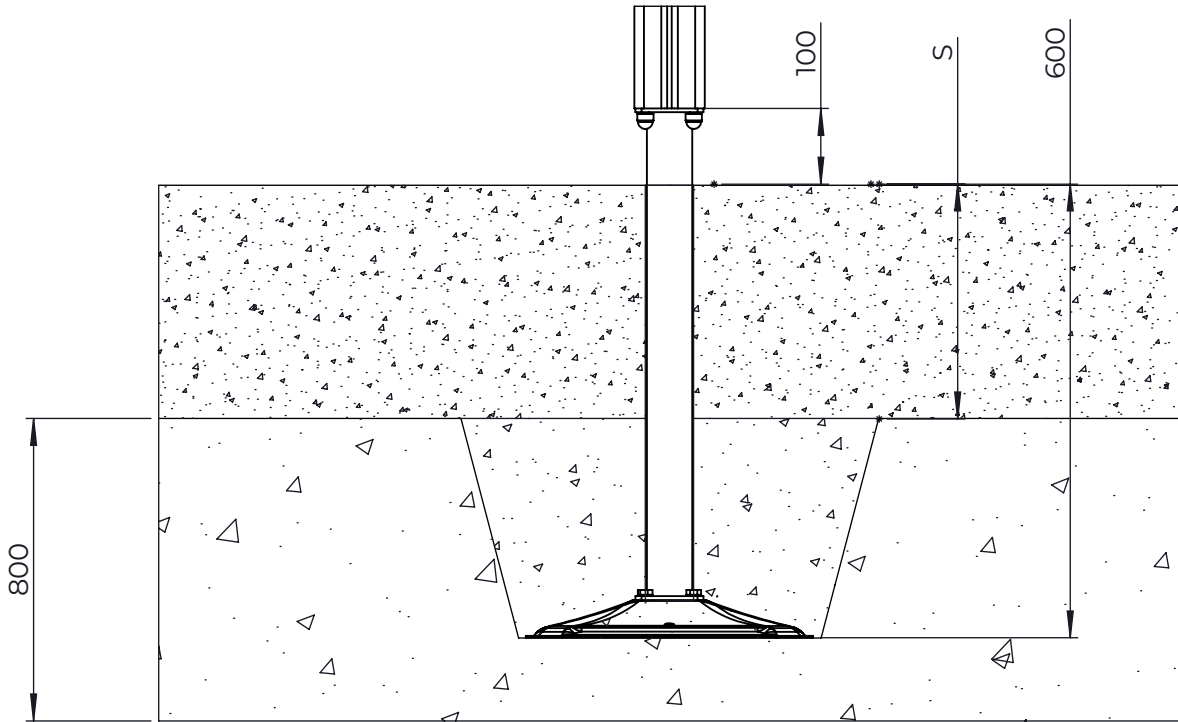
NO.	ITEM CODE			QTY.
1	712222	NET ASSEMBLY		1
2	980123	SPECIAL SCREW	Ø7x60	20
3	980128	SPECIAL SCREW	Ø7x40	4

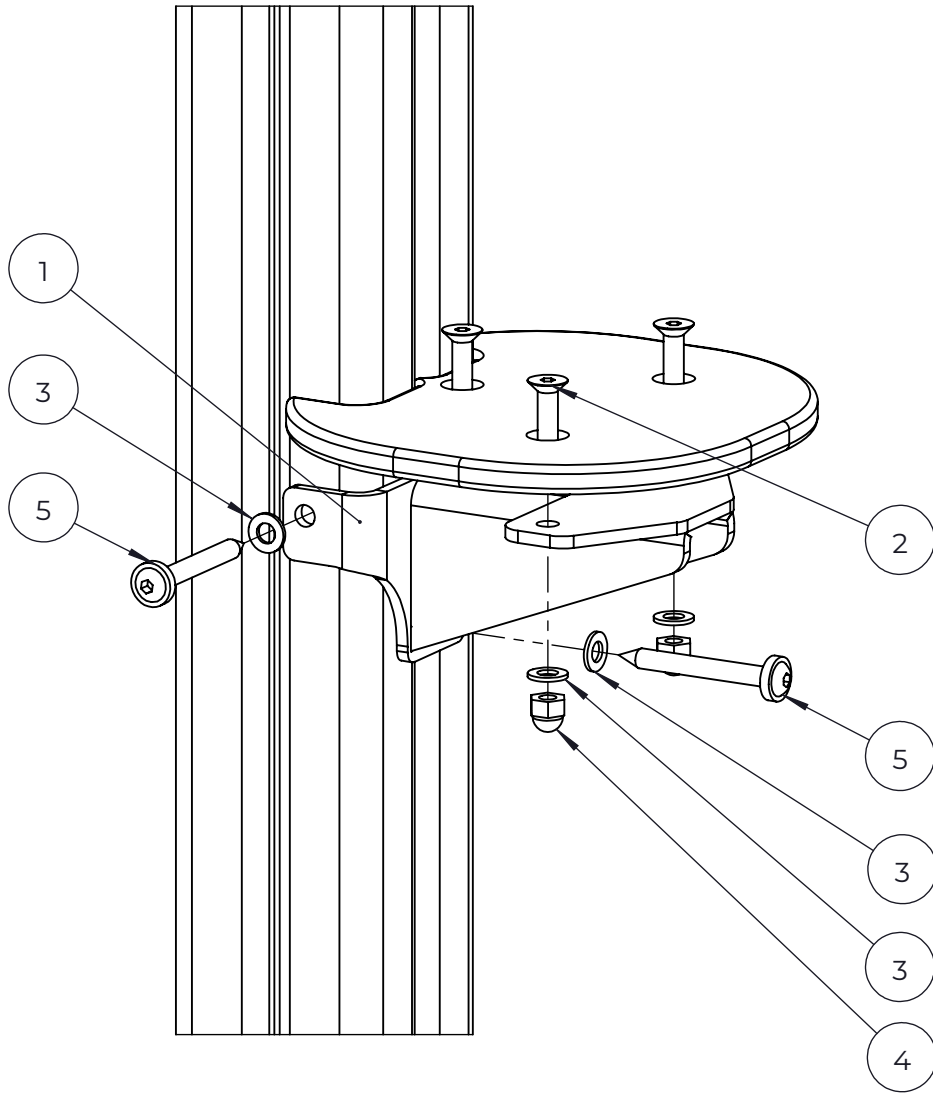


NO.	ITEM CODE			QTY.
1	707304	TELESCOPE		1
2	901302	WASHER	Ø20/10.5x2	2
3	900240	SPECIAL SCREW	Ø8x70	2

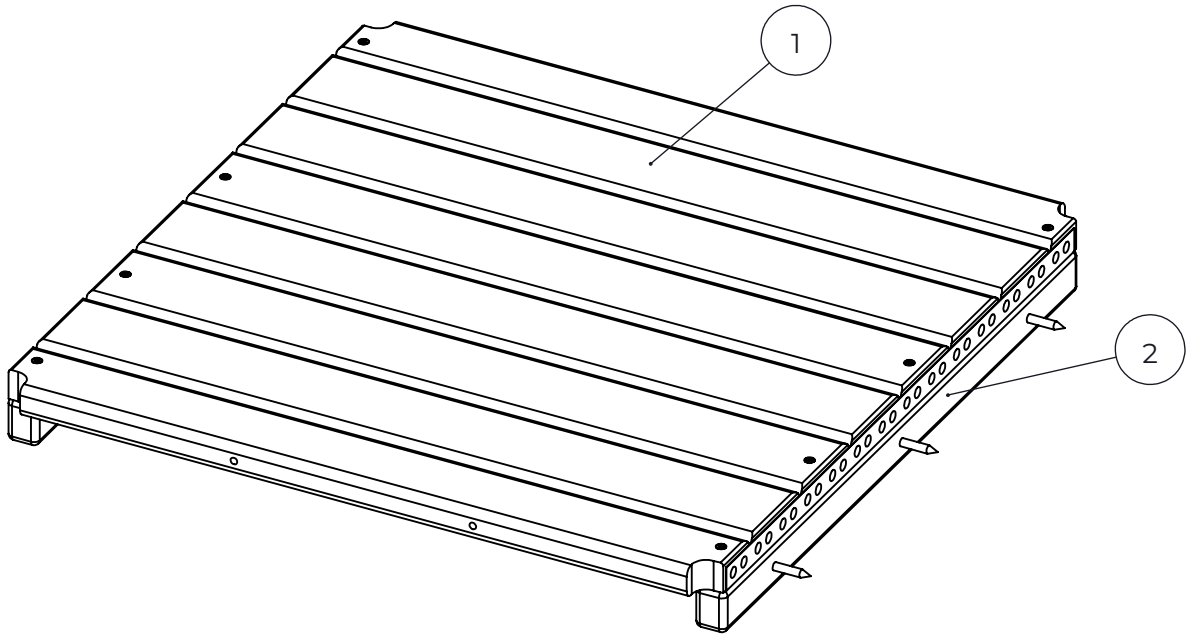


NO.	ITEM CODE			QTY.
1	909519	FOUNDATION PLATE	380 x 380 x 45	1
2	909639	BOLT	M10x25	4
3	909638	WASHER	Ø20 / 10.5	8
4	909637	NUT	M10	4
5	905104	OUTSIDE PLUG	M10	4
6	909511	FOUNDATION TUBE	90x90x650	1

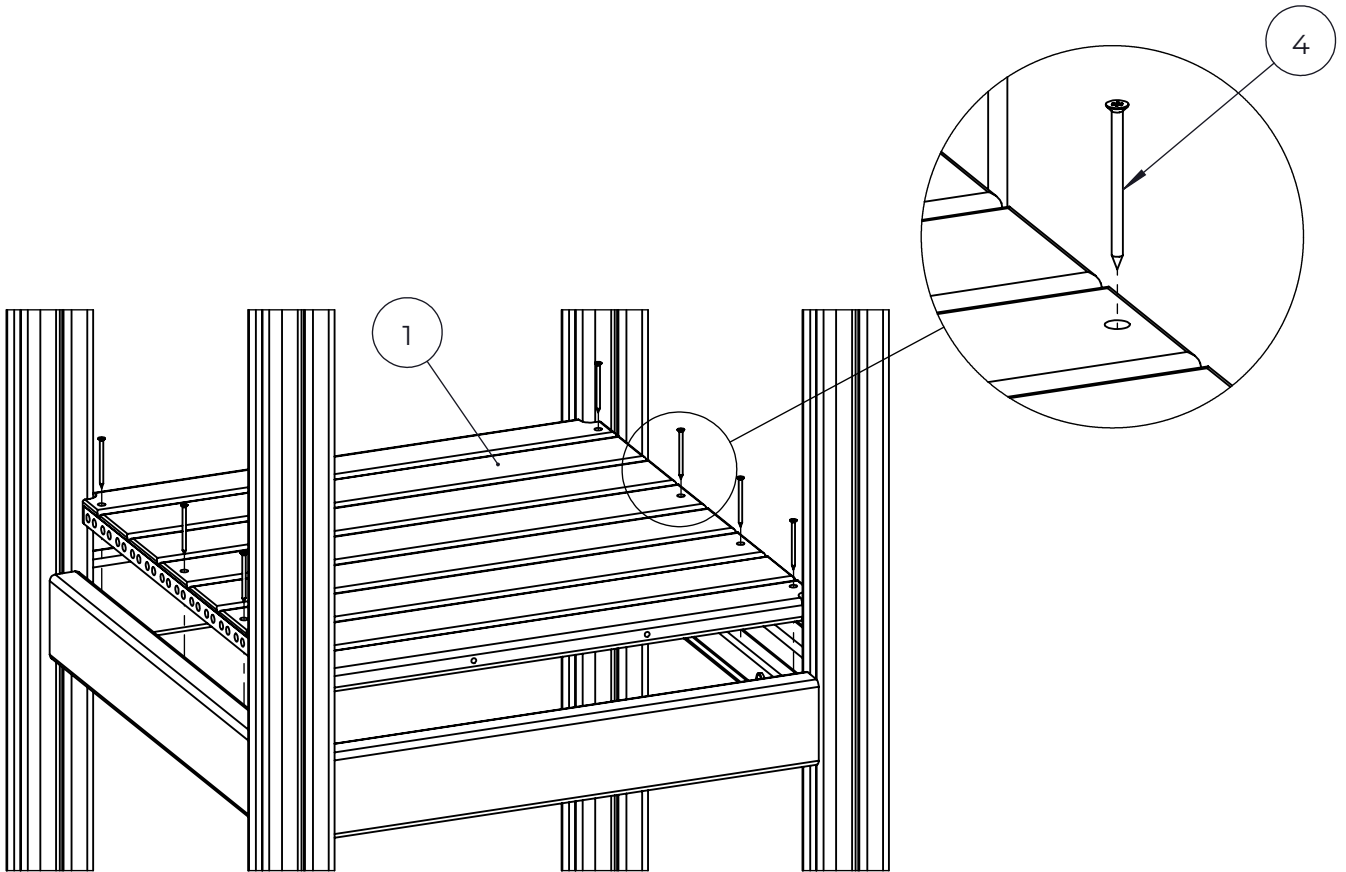
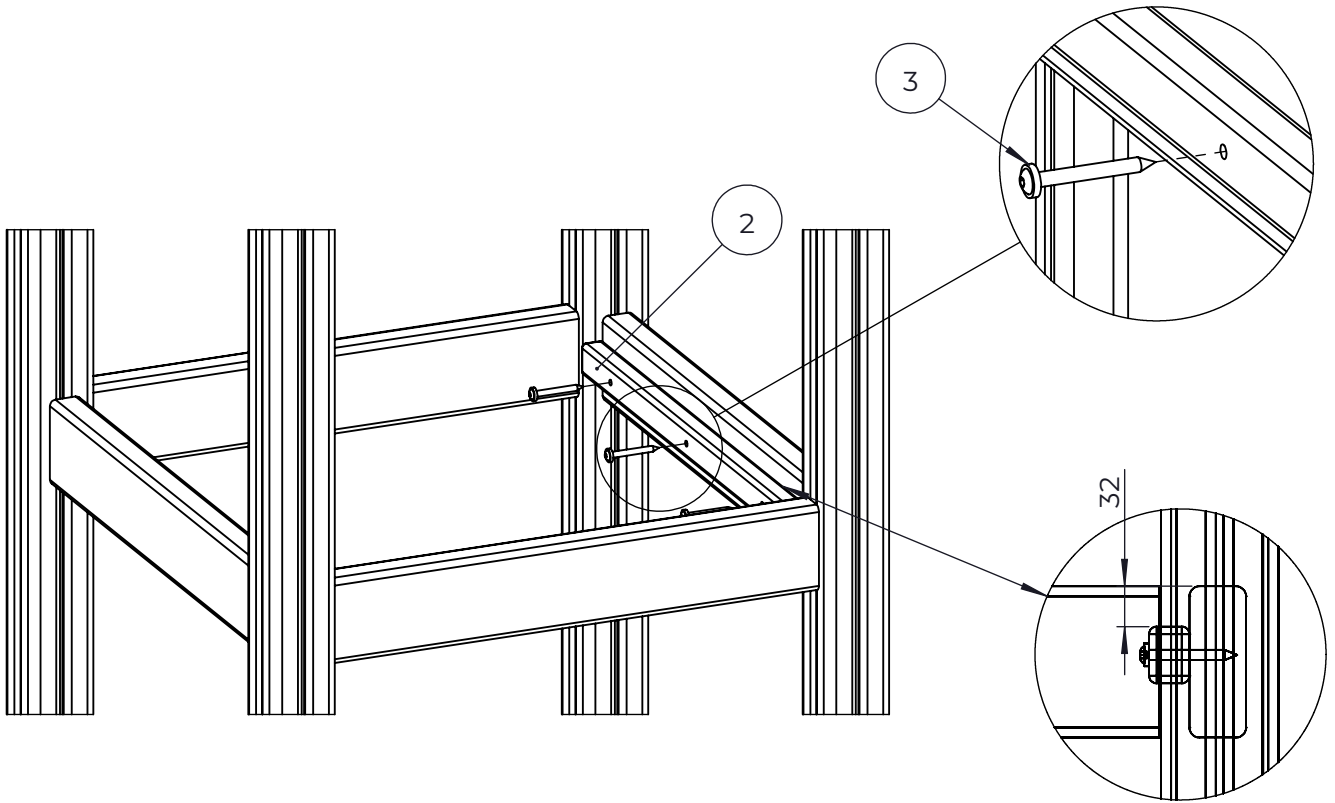


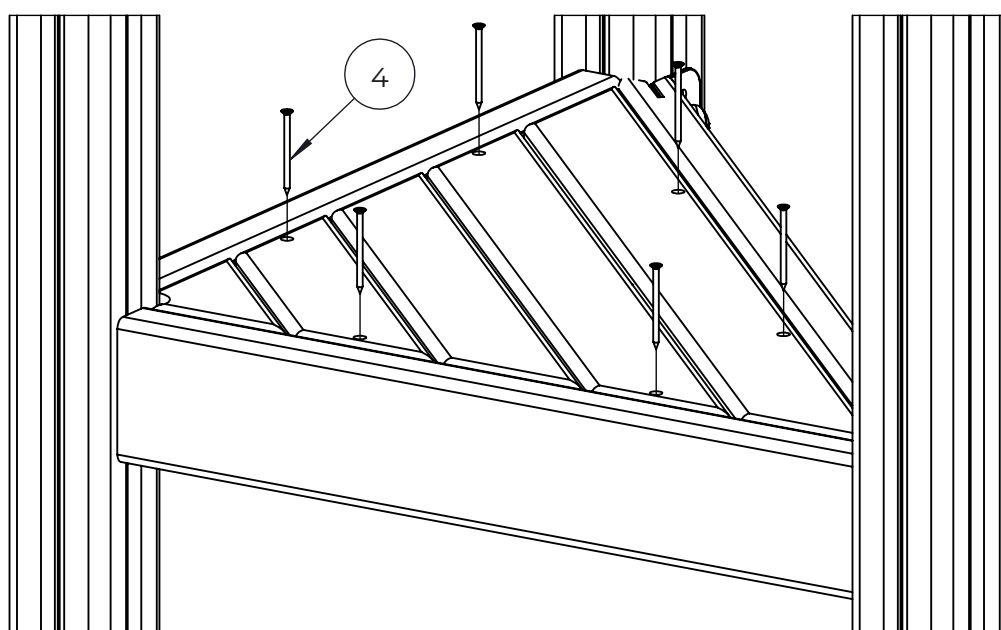
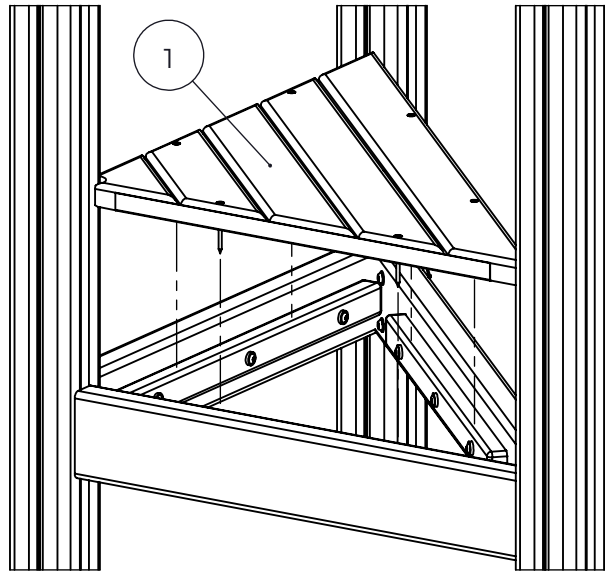
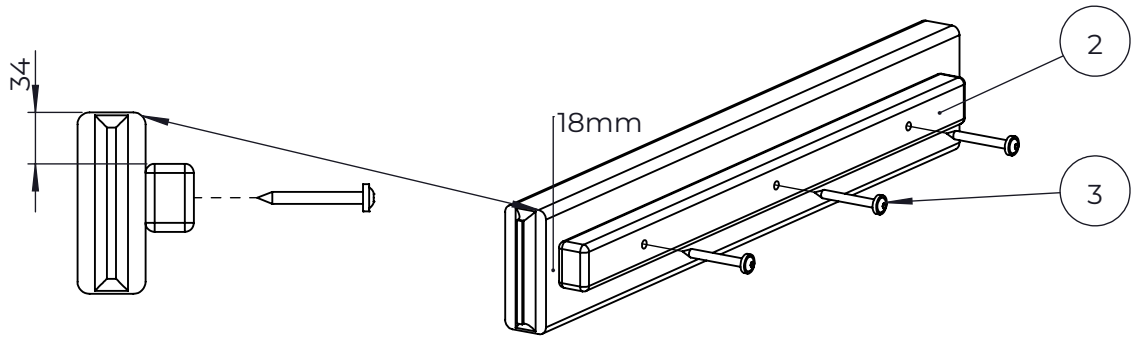


NO.	ITEM CODE			QTY.
1	914408	ATTACHMENT PIECE	75x130x165	1
2	900348	ALLEN SCREW	M8x30	3
3	909256	WASHER	Ø16/8.4x1.6	6
4	909633	NUT	M8	3
5	900240	SPECIAL SCREW	Ø8x70	3

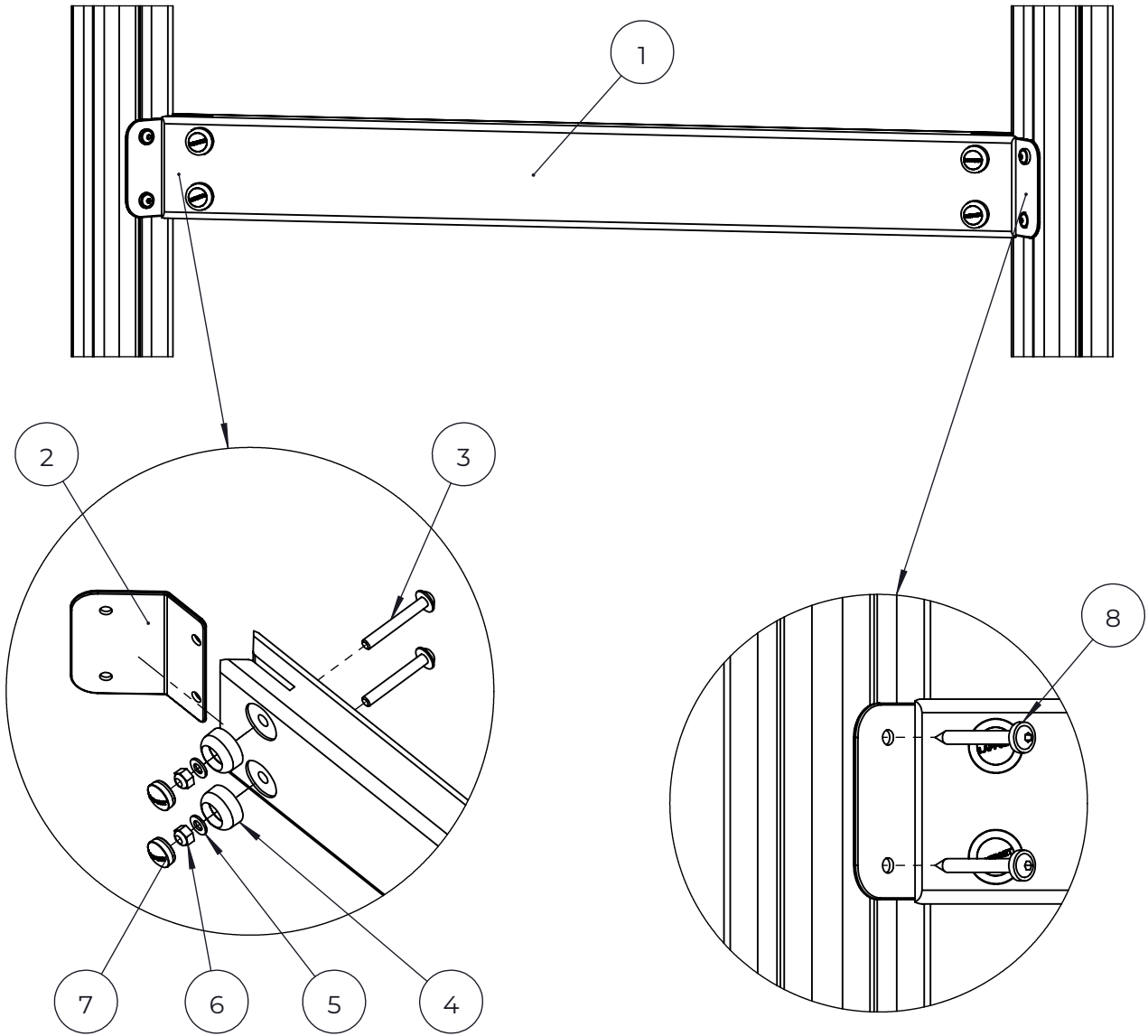


NO.	ITEM CODE			QTY.
1	712923	FLOOR ELEMENT	32x750x750	1
2	706443	STRIP	32x45x702	2
3	900240	SPECIAL SCREW	Ø8x70	6
4	980101	SCREW	Ø4.5x70	8

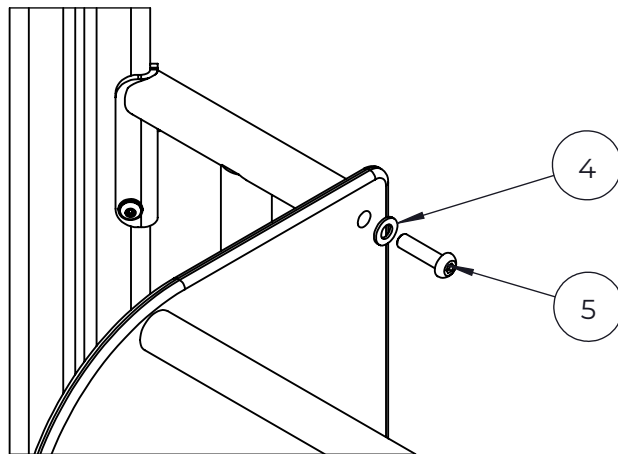
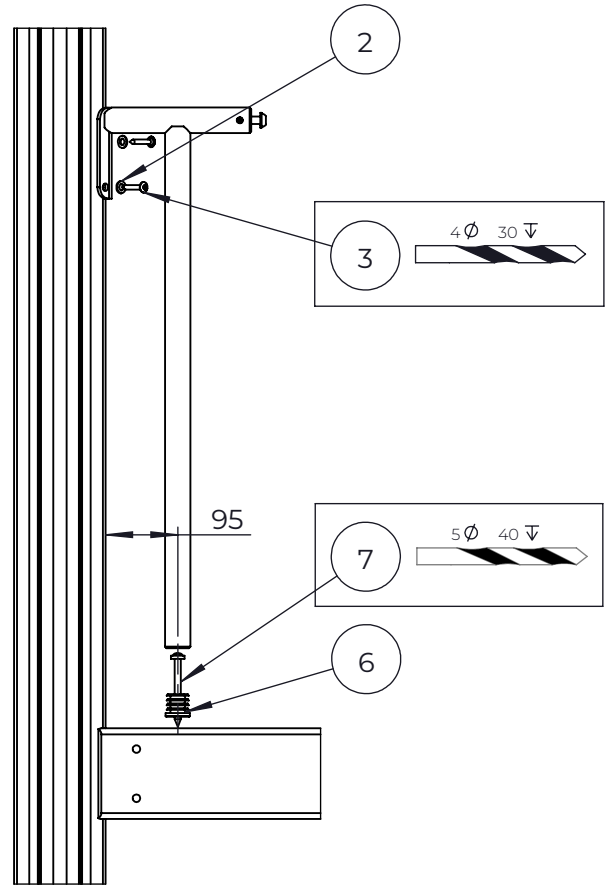
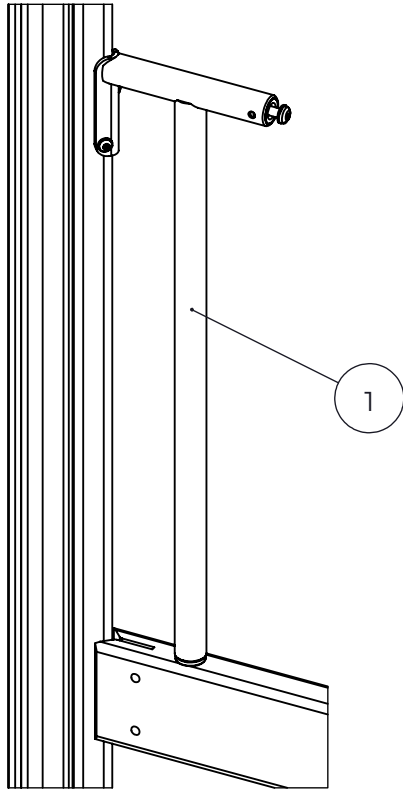




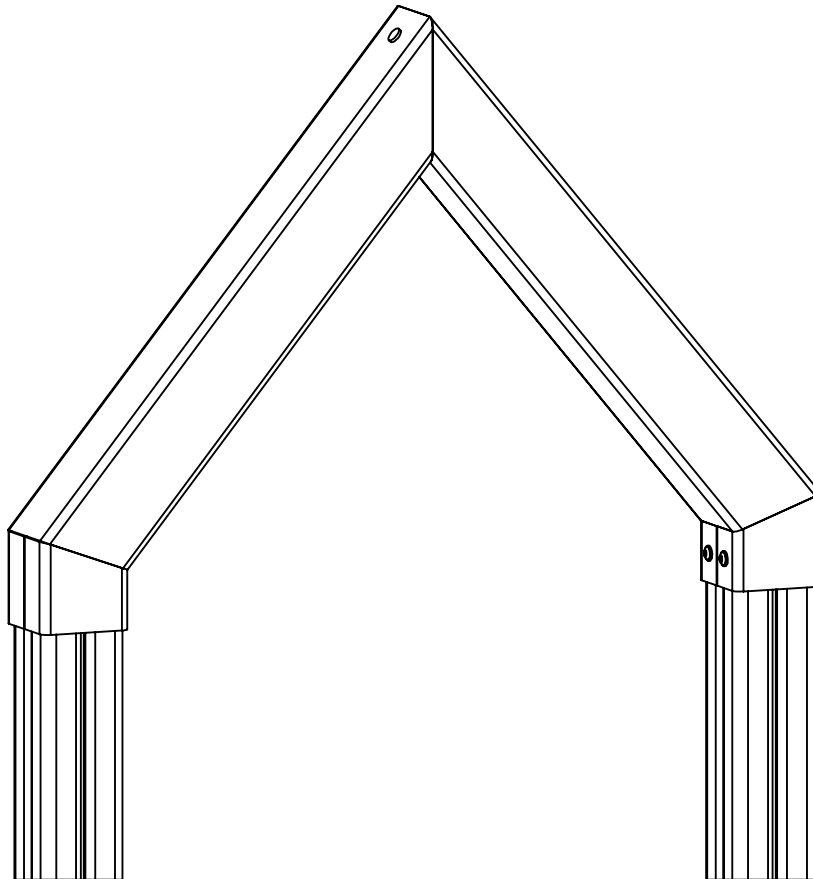
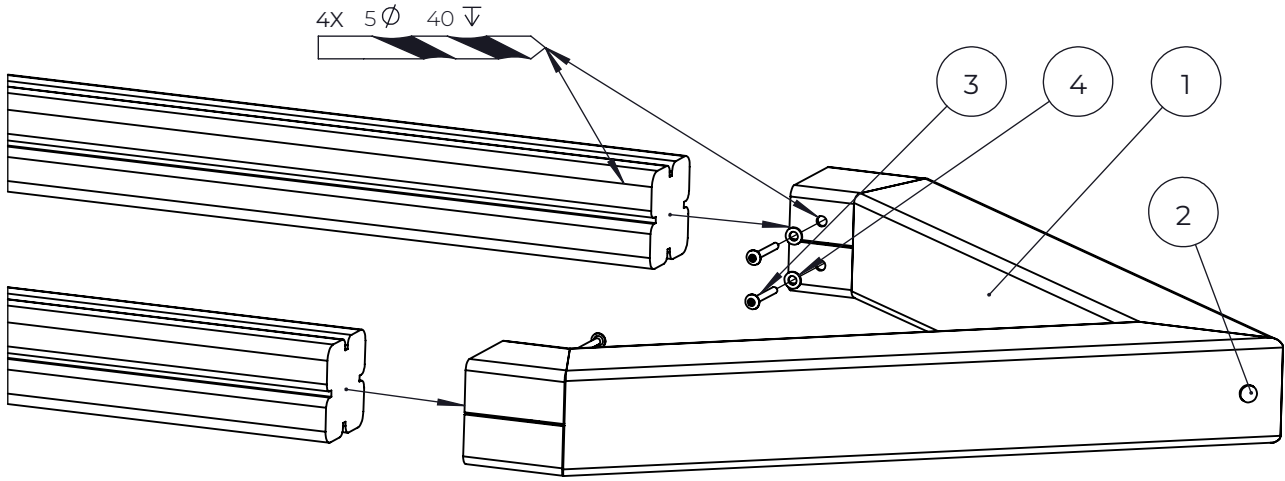
NO.	ITEM CODE			QTY.
1	712956-001	FLOOR ELEMENT	32x714x714	1
2	706508-001	STRIP	32x45x650	3
3	900240	SPECIAL SCREW	Ø8x70	9
4	980101	SCREW	Ø4.5x70	6



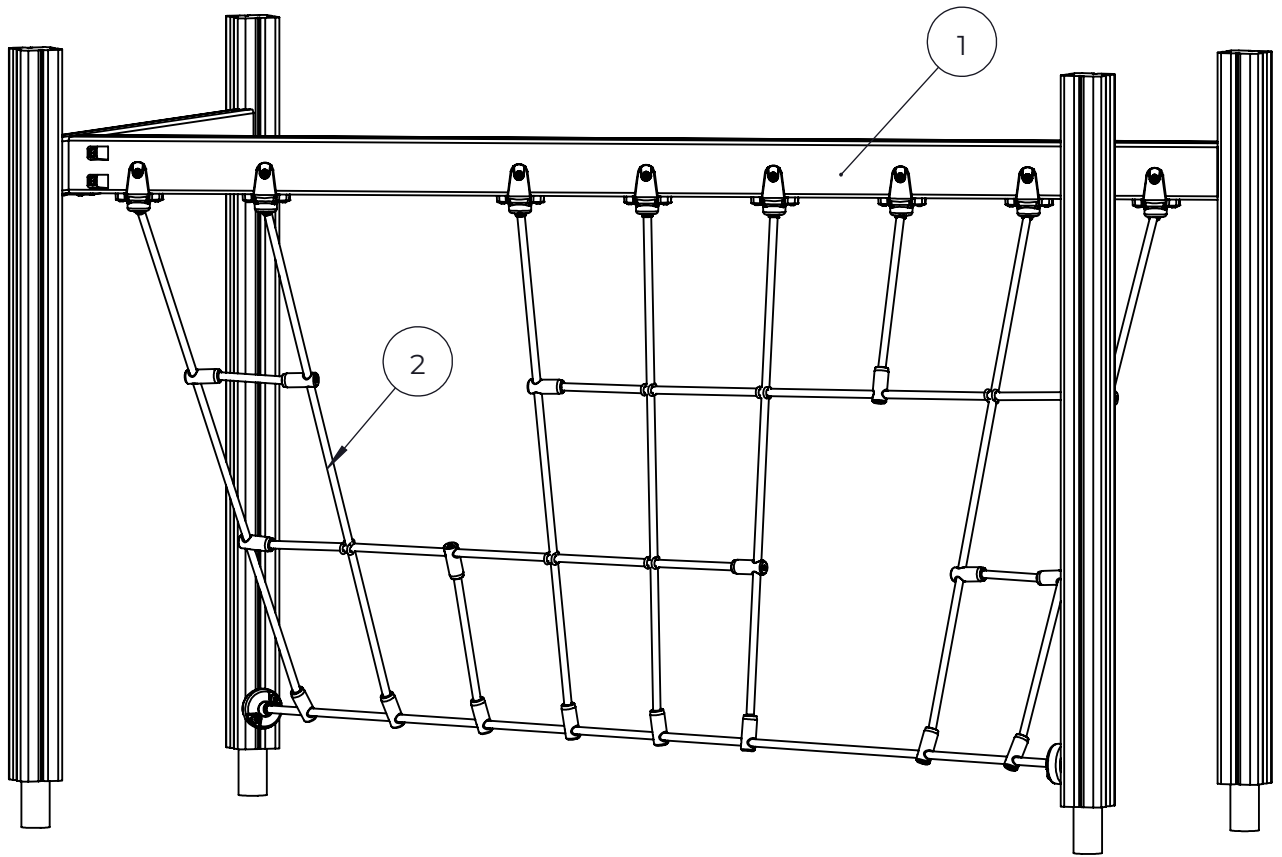
NO.	ITEM CODE			QTY.
1	712942	BOOM	45x120x1030	1
2	907724	ATTACHMENT FLANGE	3x115x110	2
3	909866	ALLEN SCREW	M8x60	4
4	905083	PLASTIC WASHER	Ø32	4
5	909256	WASHER	Ø16/8.4x1.6	4
6	980160	NUT	M8	4
7	905112	PLASTIC CAP	all models	4
8	900240	SPECIAL SCREW	Ø8x70	4



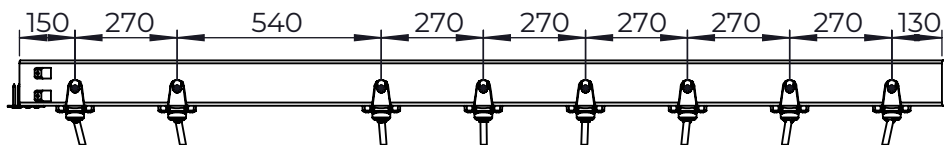
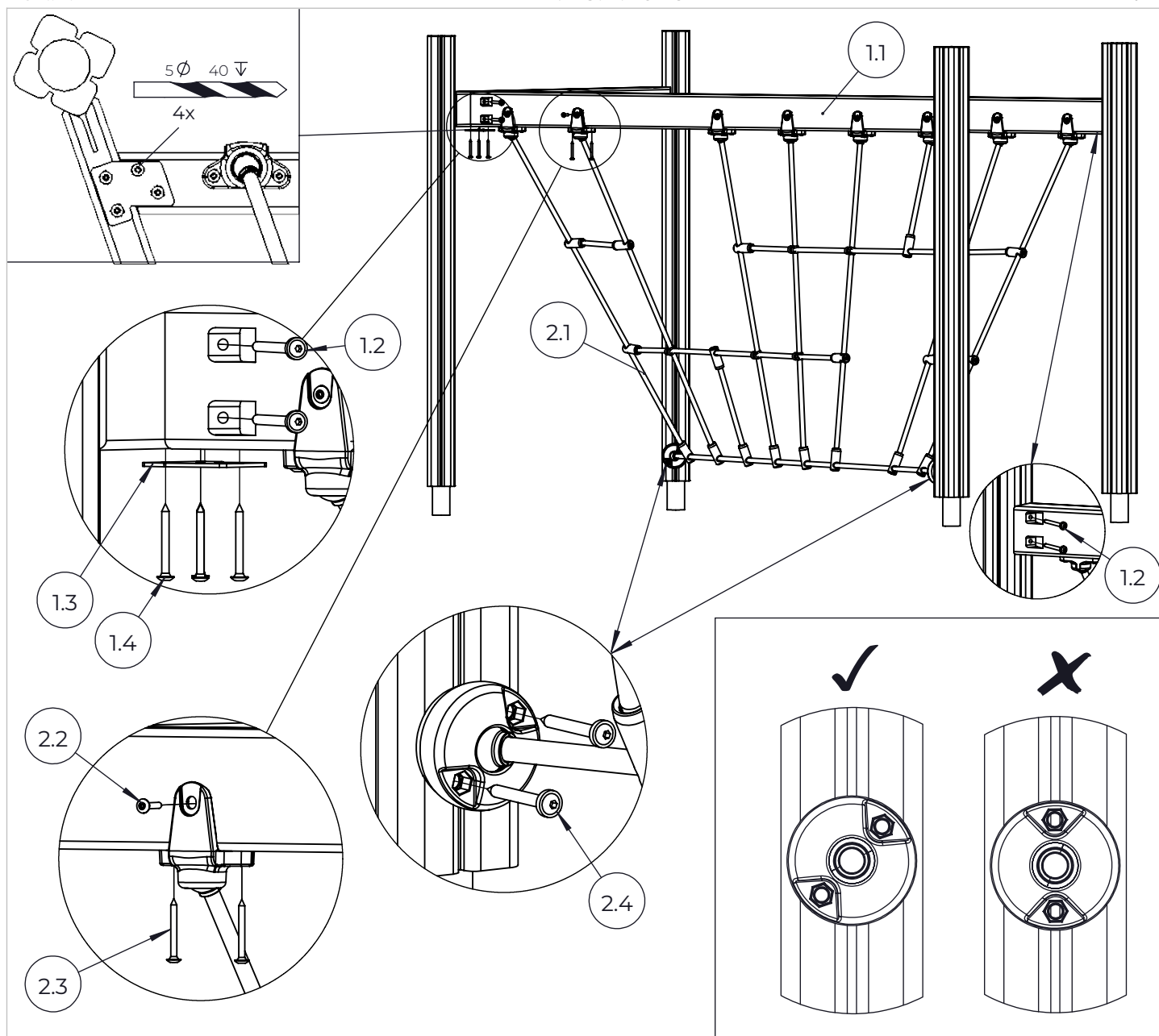
NO.	ITEM CODE			QTY.
1	914400	ADAPTER ELEMENT		1
2	909256	WASHER	Ø16/8.4x1.6	2
3	980128	SPECIAL SCREW	Ø7x40	2
4	901302	WASHER	Ø20/10.5x2	1
5	907727	ALLEN SCREW	M10x40	1
6	908057	CONNECTOR	Ø32/29-L5/30	1
7	903093	SPECIAL SCREW	Ø8x90	1



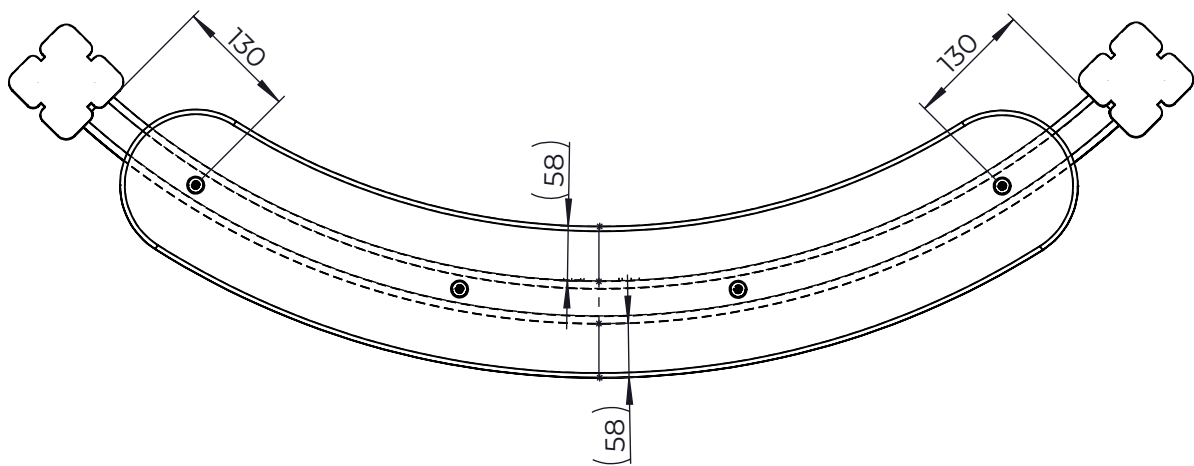
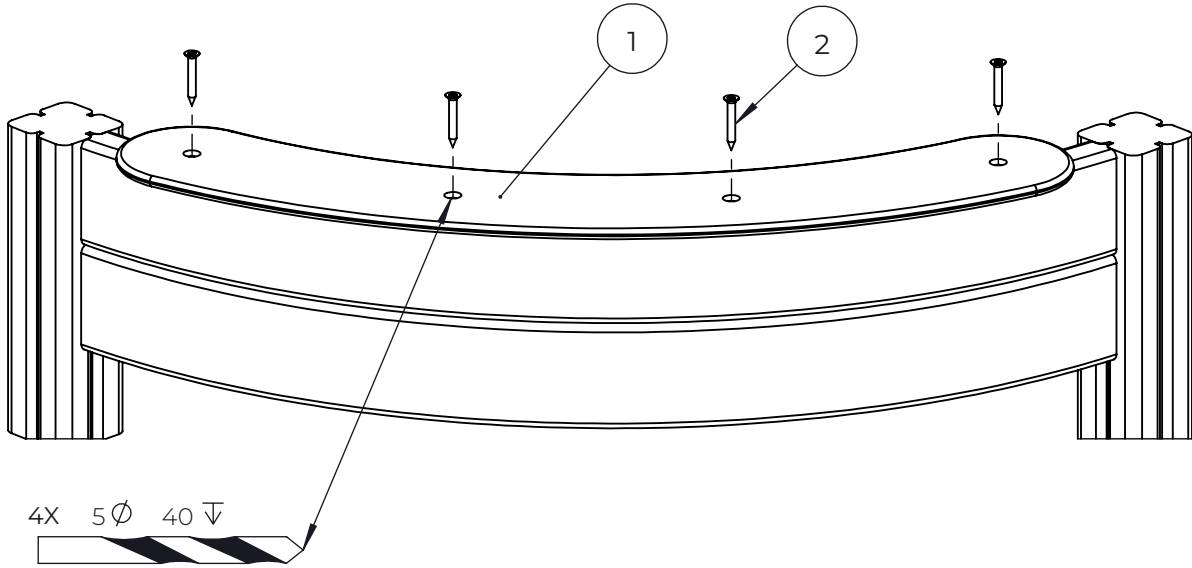
NO.	ITEM CODE			QTY.
1	914549	FRAME	100x635x897	1
2	910415	PLASTIC CAP	Ø16/12,5-14x17	2
3	980123	SPECIAL SCREW	Ø7x60	4
4	909256	WASHER	Ø16/8.4x1.6	4



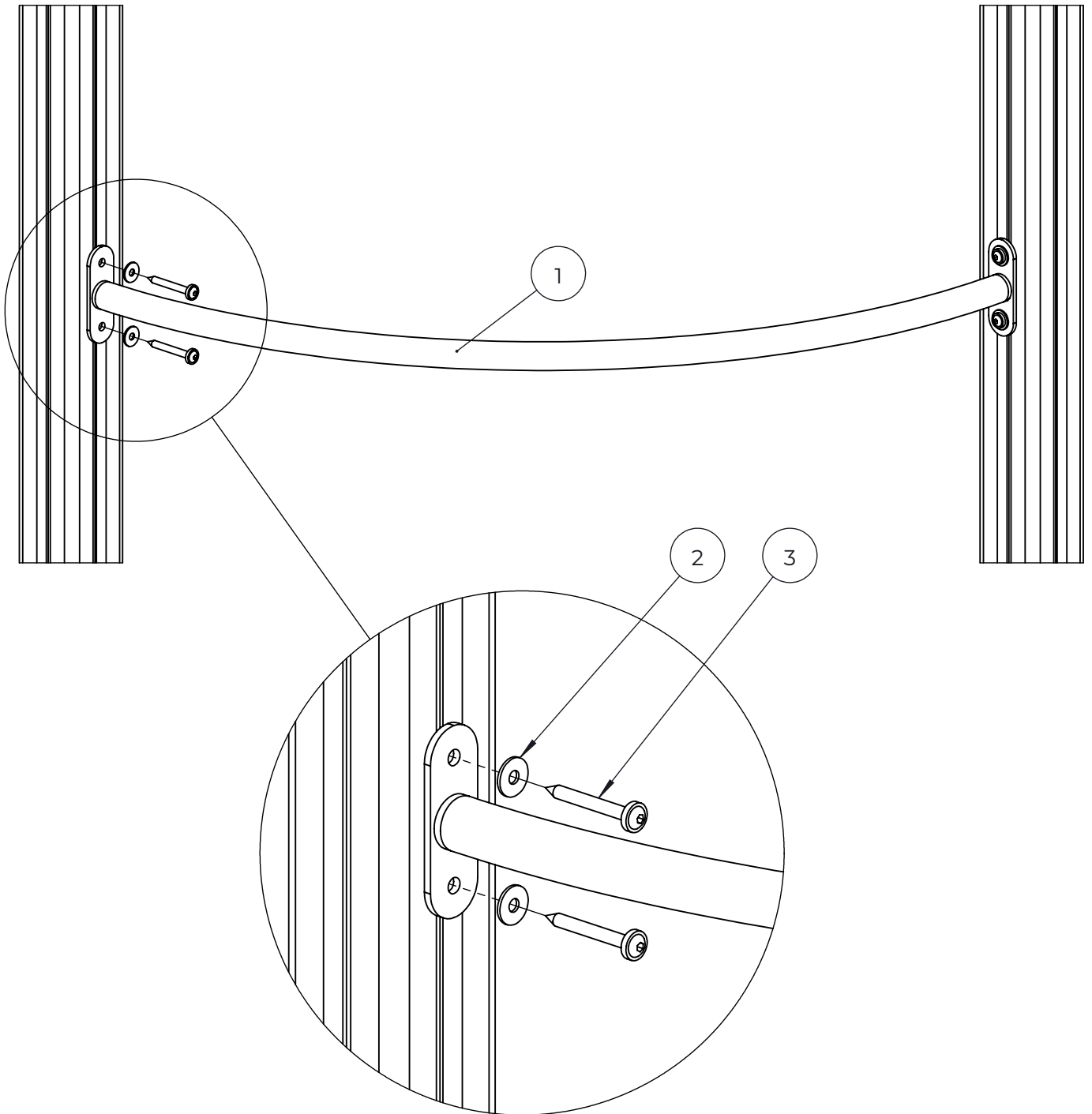
NO.	ITEM CODE		QTY.
1	713029	BOOM MODULE	1
2	712974	ROPE NET MODULE	1



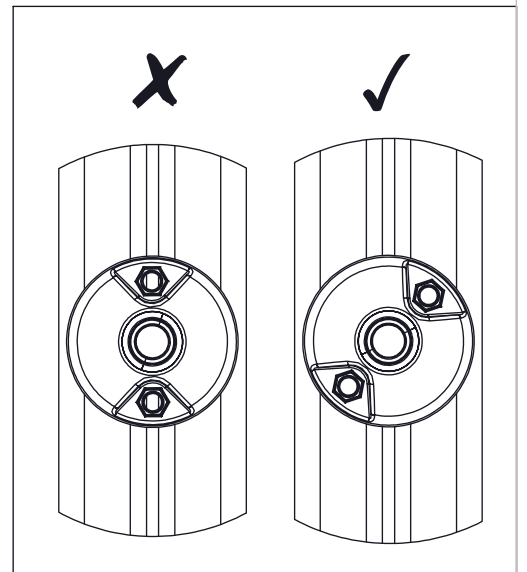
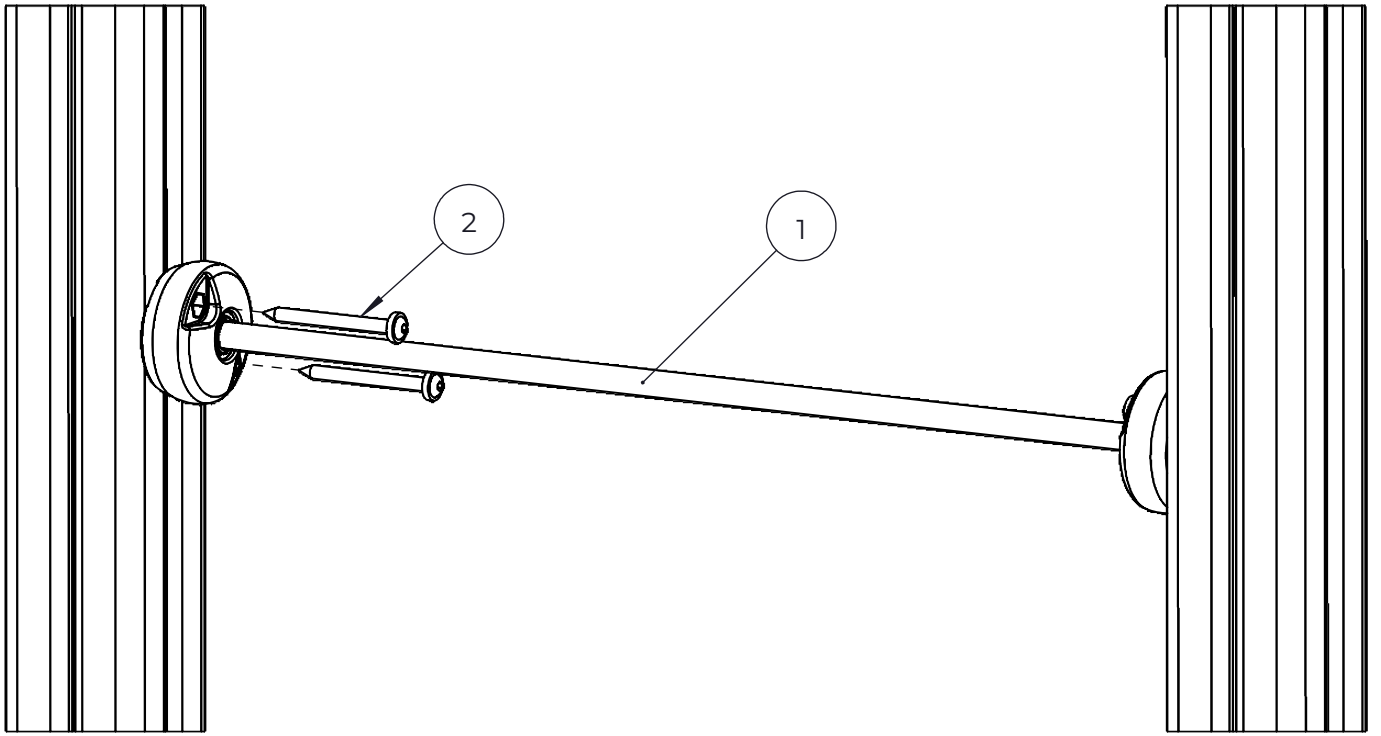
NO.	ITEM CODE			QTY.
1	713029	BOOM MODULE		1
1.1	712984-001	BOOM	70x120x	1
1.2	903093	SPECIAL SCREW	Ø8x90	4
1.3	915683-254	SUPPORT PLATE	3x70x80	1
1.4	980123	SPECIAL SCREW	Ø7x60	4
2	712974	ROPE NET MODULE		1
2.1	712698	ROPE NET		1
2.2	980128	SPECIAL SCREW	Ø7x40	8
2.3	980123	SPECIAL SCREW	Ø7x60	16
2.4	900240	SPECIAL SCREW	Ø8x70	4



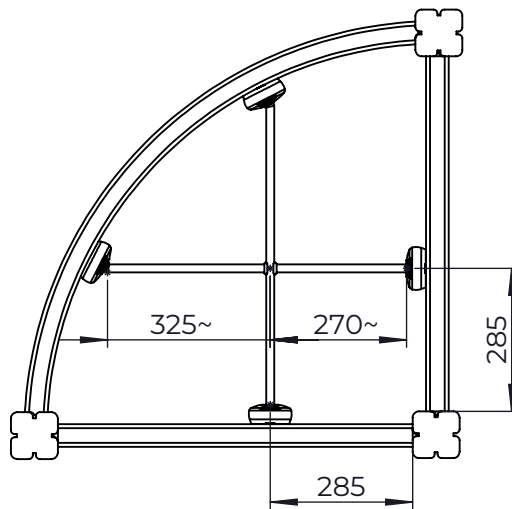
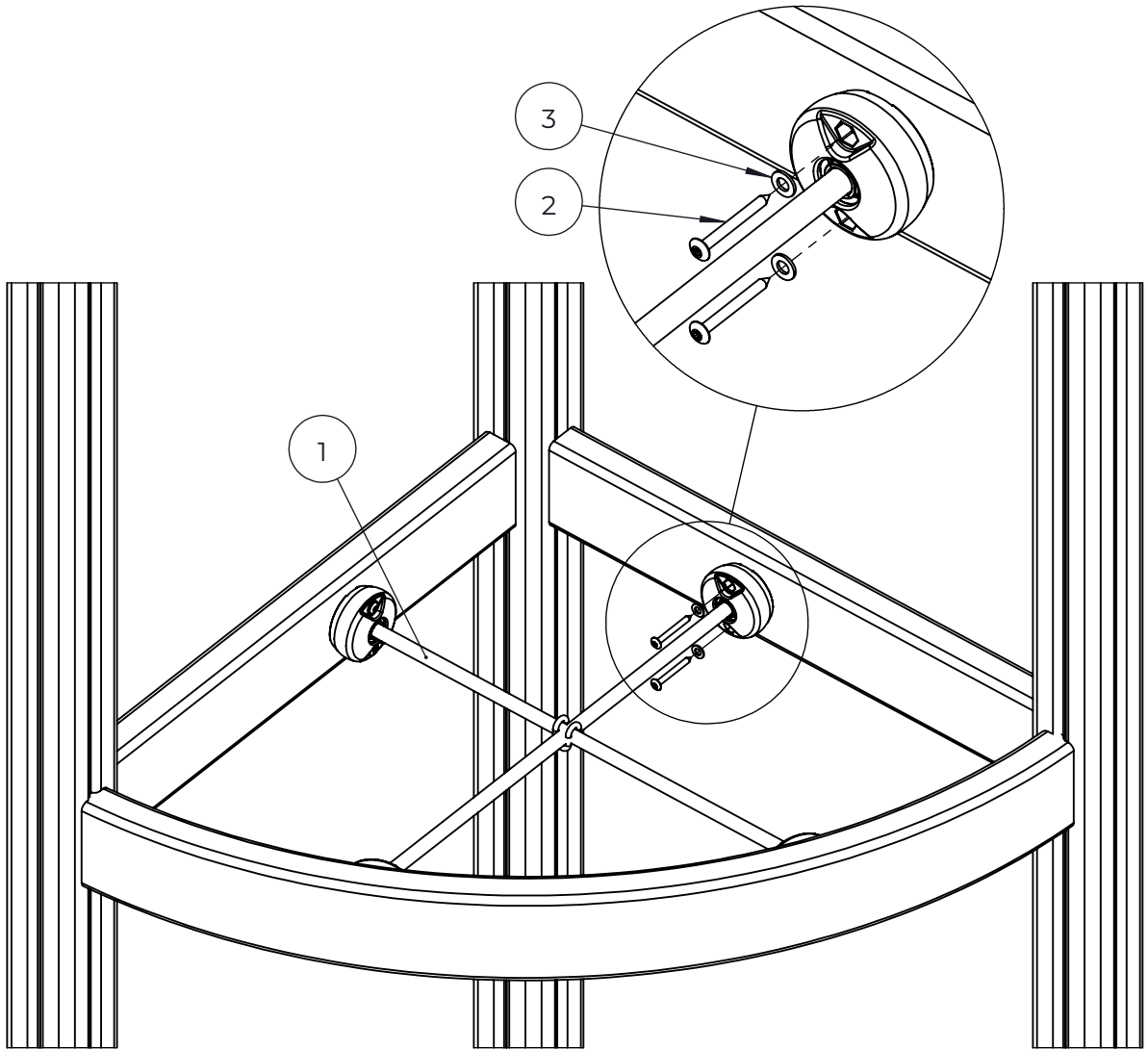
NO.	ITEM CODE			QTY.
1	711801	PLATE	12x283x1013	1
2	906630	SCREW	Ø8x60	4



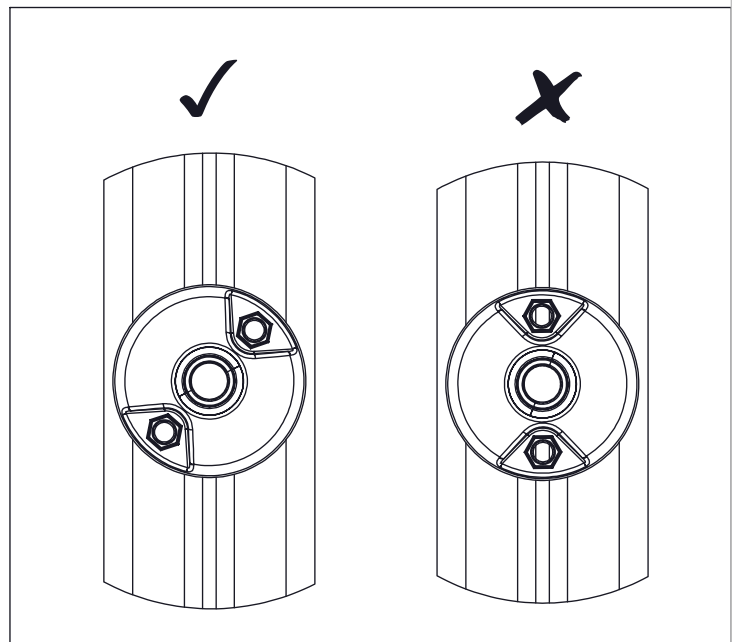
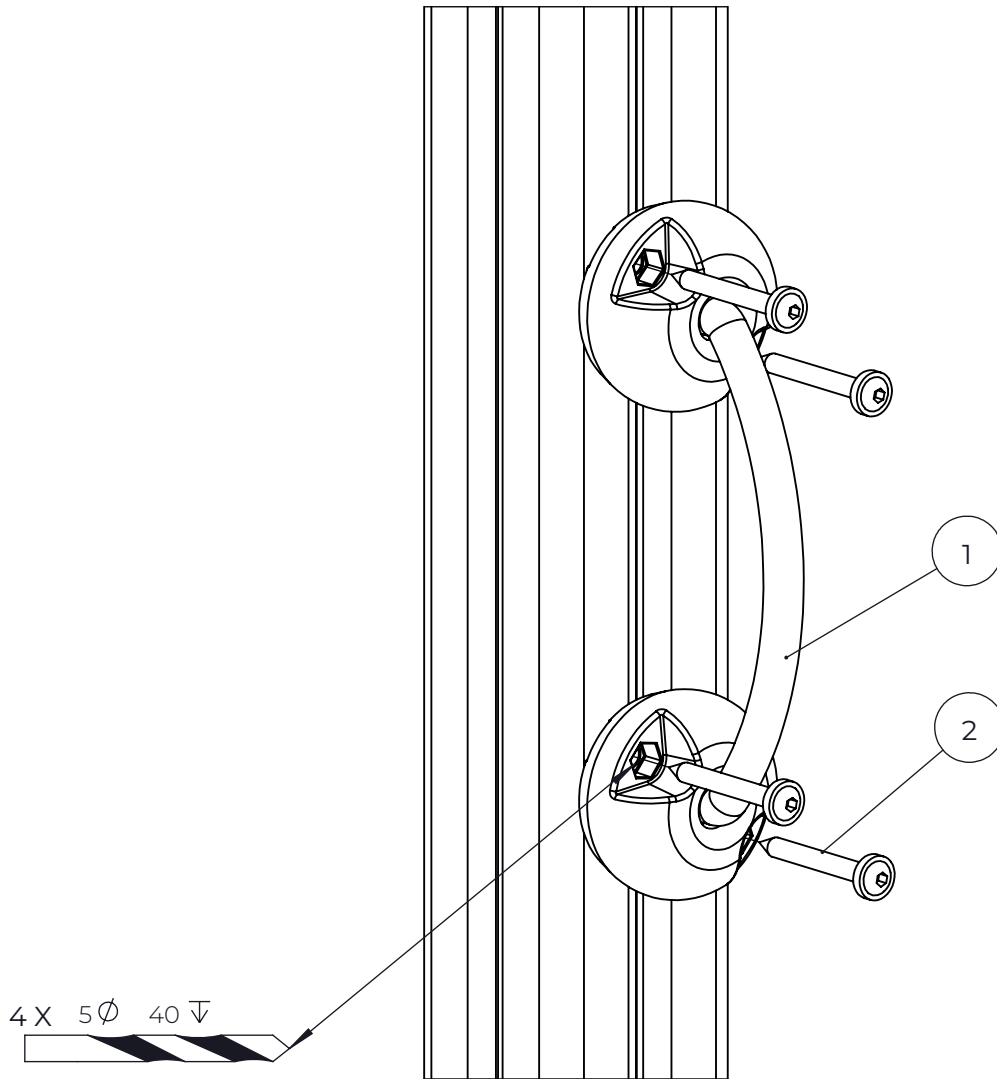
NO.	ITEM CODE			QTY.
1	914298	CURVED BAR		1
2	980152	WASHER	Ø24/8.4x2	4
3	900240	SPECIAL SCREW	Ø8x70	4



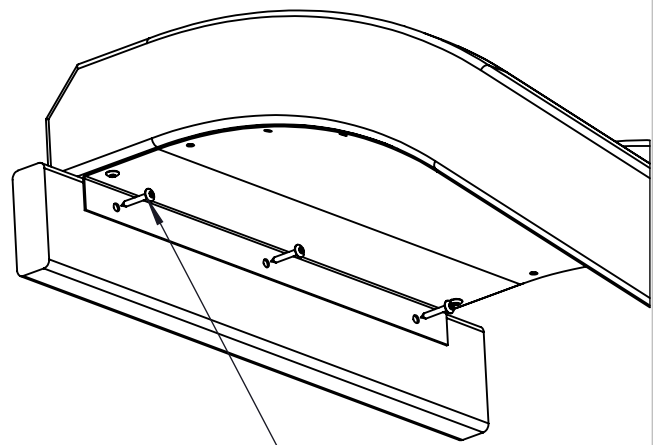
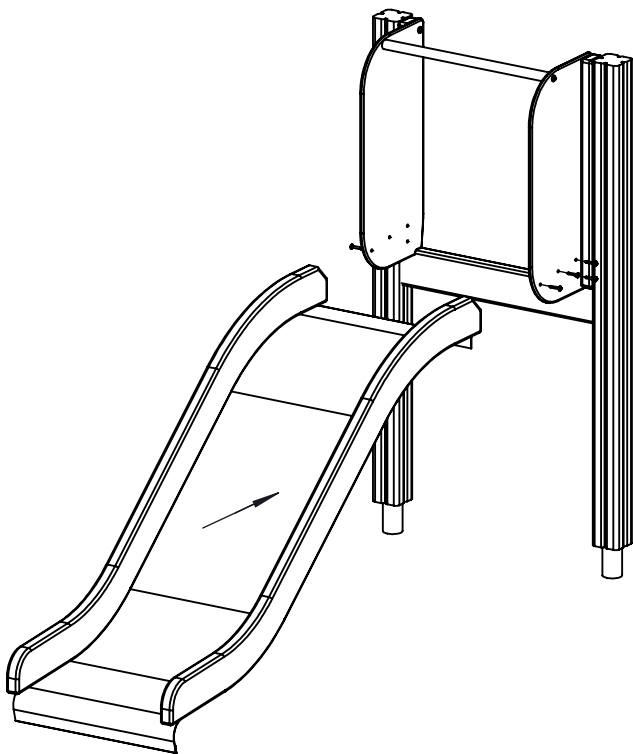
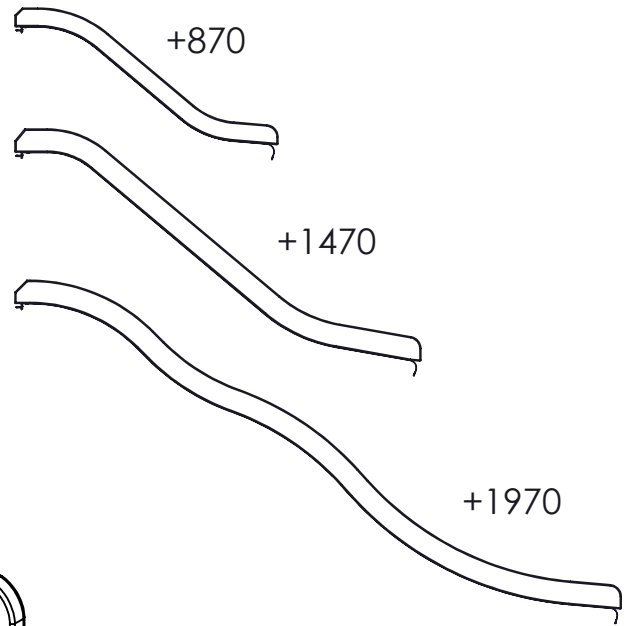
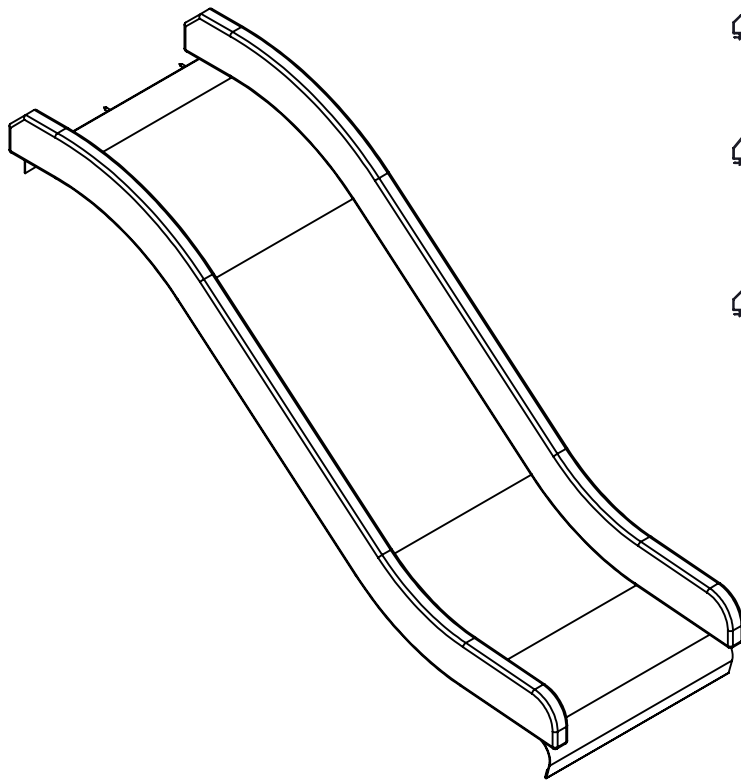
NO.	ITEM CODE			QTY.
1	709649	ROPE FENCE	Ø16x705	1
2	903093	SPECIAL SCREW	Ø8x90	4

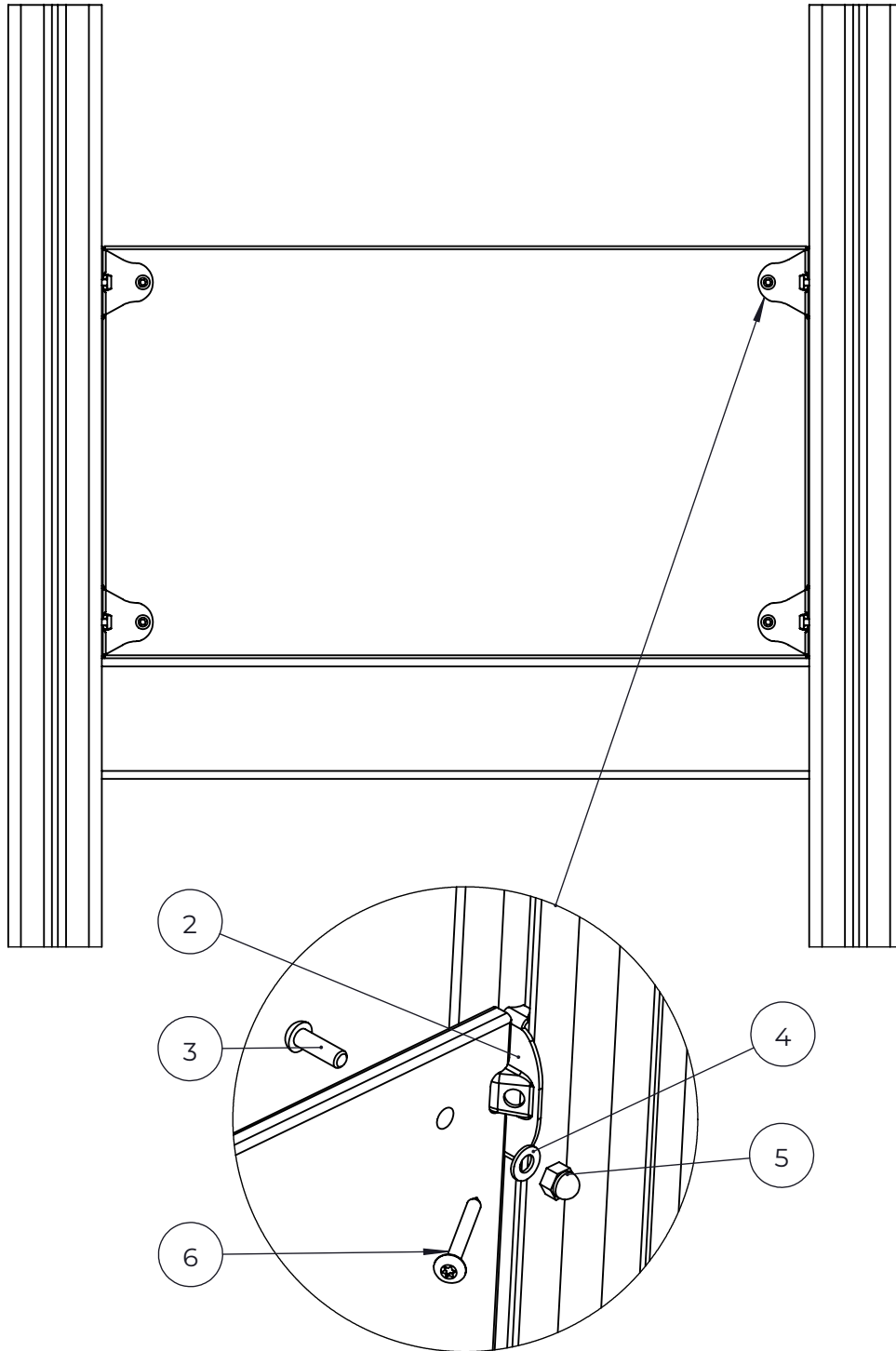


NO.	ITEM CODE			QTY.
1	712198	NET ASSEMBLY	670x670	1
2	980123	SPECIAL SCREW	Ø7x60	8
3	909256	WASHER	Ø16/8.4x1.6	8

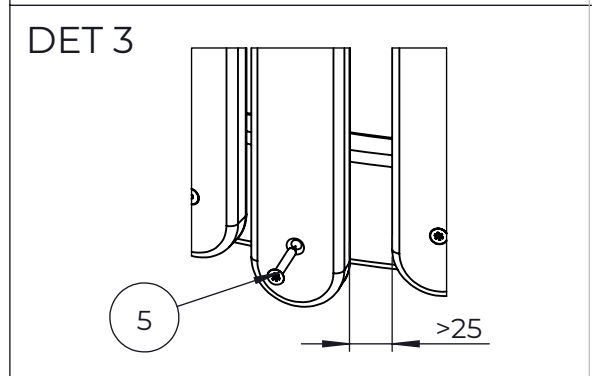
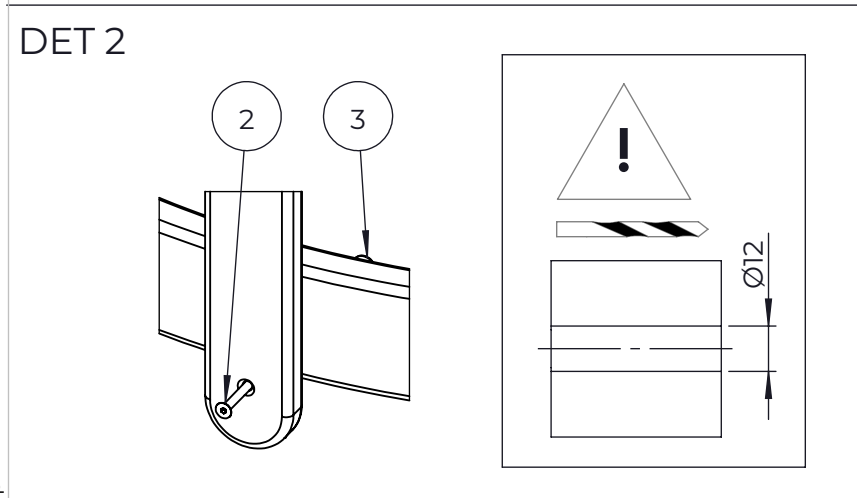
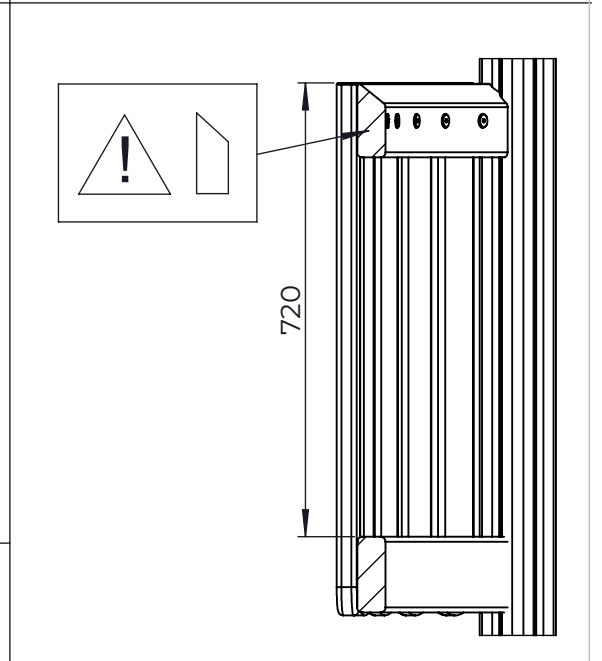
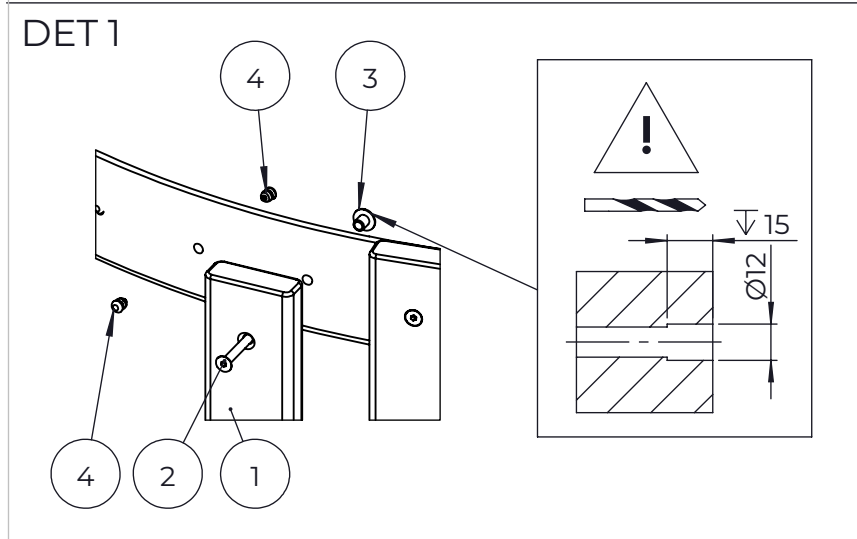
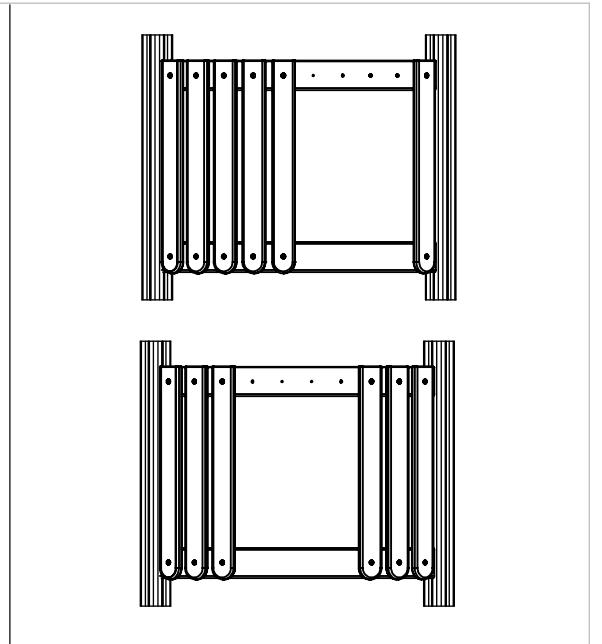
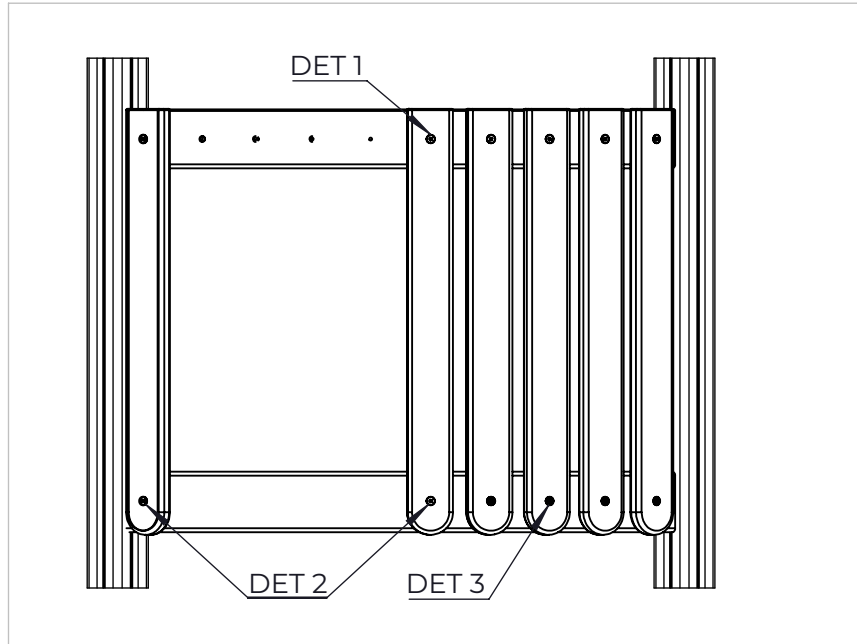


NO.	ITEM CODE			QTY.
1	705510	ROPE		1
2	900240	SPECIAL SCREW	Ø8x70	4





NO.	ITEM CODE			QTY.
2	903176	CLAMP		4
3	909850	ALLEN SCREW	M8x25	4
4	909256	WASHER	Ø16/8.4x1.6	4
5	909633	NUT	M8	4
6	980123	SPECIAL SCREW	Ø7x60	4



NO.	ITEM CODE			QTY.
1	710471	LATH	32x95x845	6
2	911808	COUNTERSUNK SCREW	M8x70	8
3	914858	SPECIAL NUT	M8x12	8
4	903533	PEITETULPPA	Ø9	8
5	906630	SCREW	Ø8x60	4