

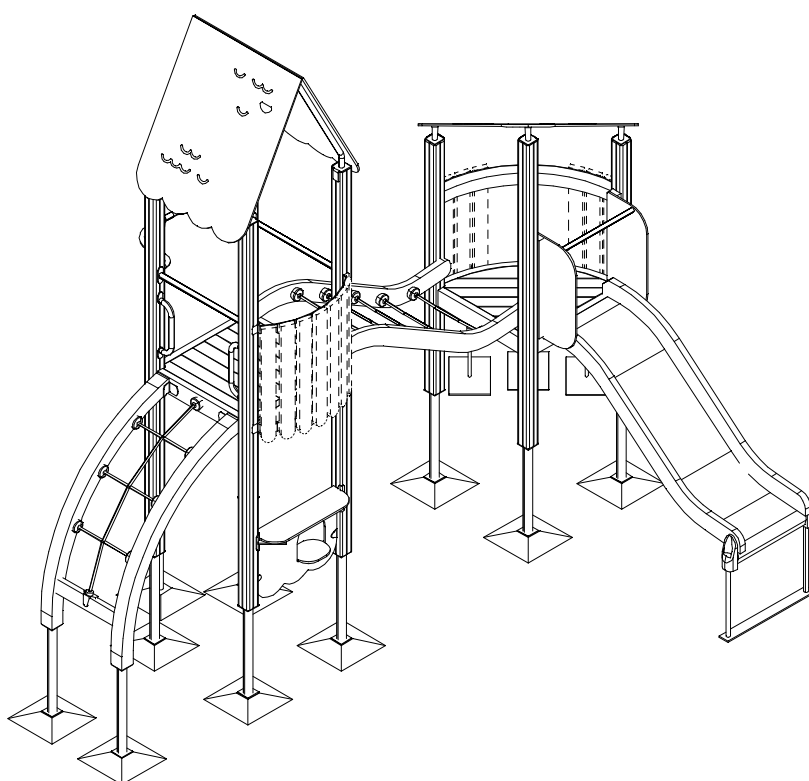


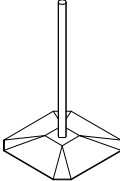






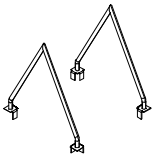

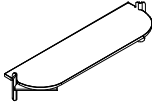

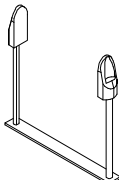

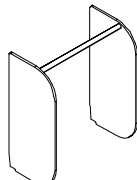

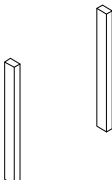

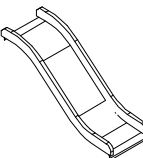
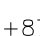
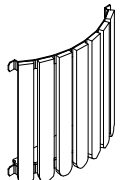



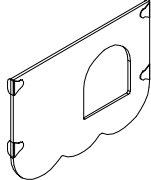

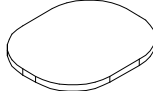





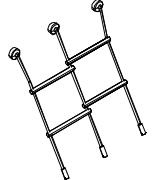

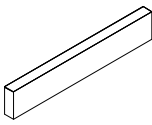

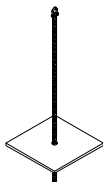

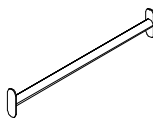

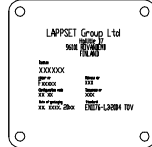

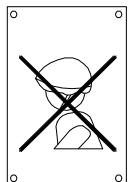

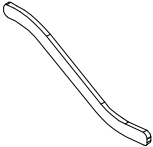



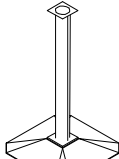

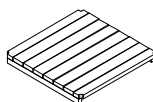

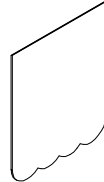



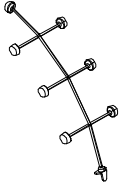

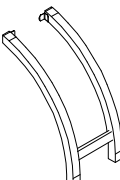



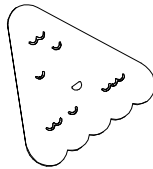
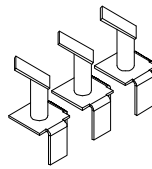
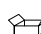
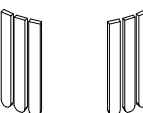
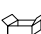
PRIME

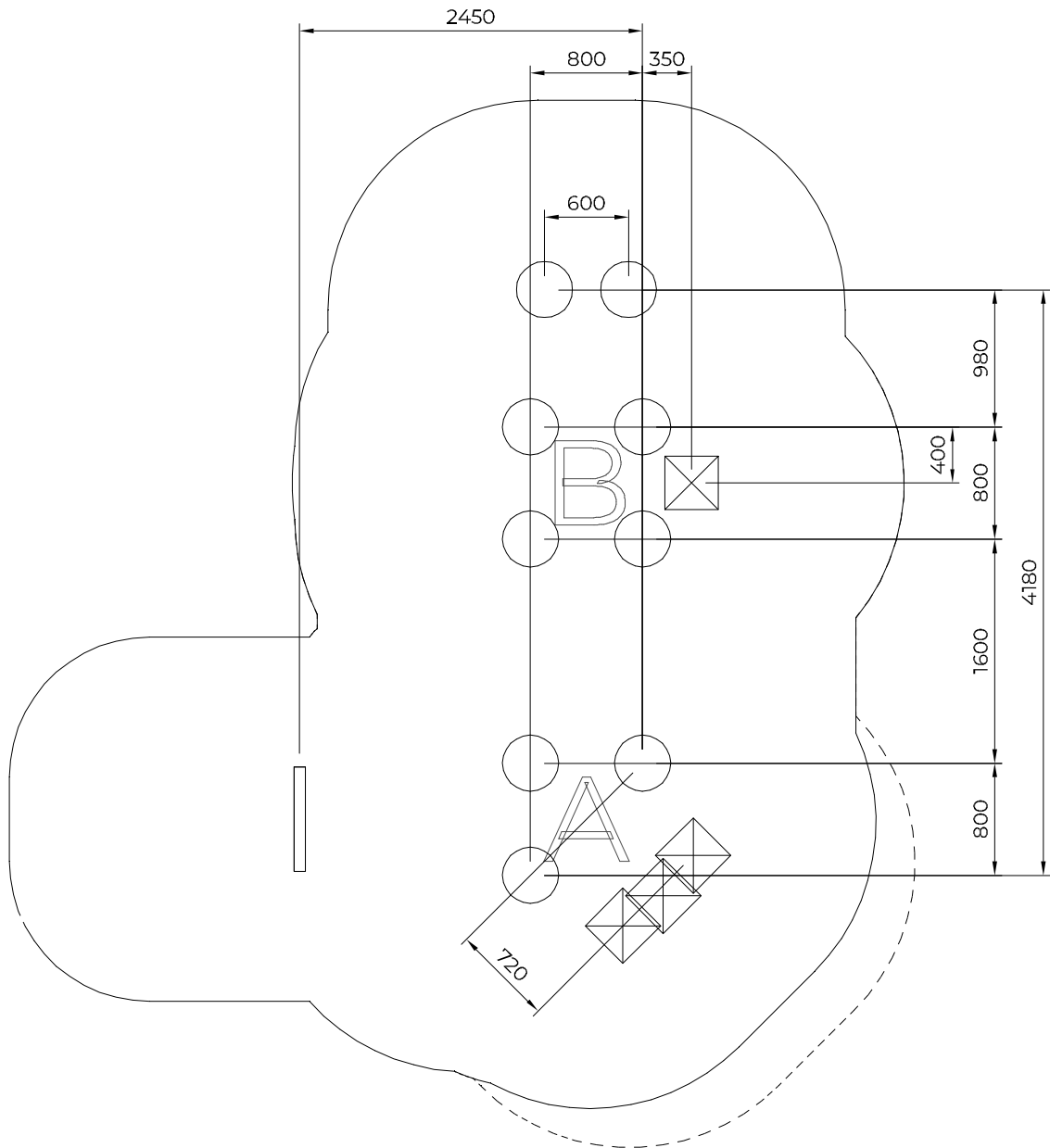
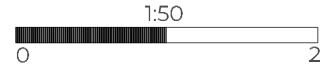
ASENNUSOHJE
MONTERINGSANSVISNING
INSTALLATION INSTRUCTION
AUFBAUANLEITUNG
NOTICE D'INSTALLATION

DATE: 16.3.2026

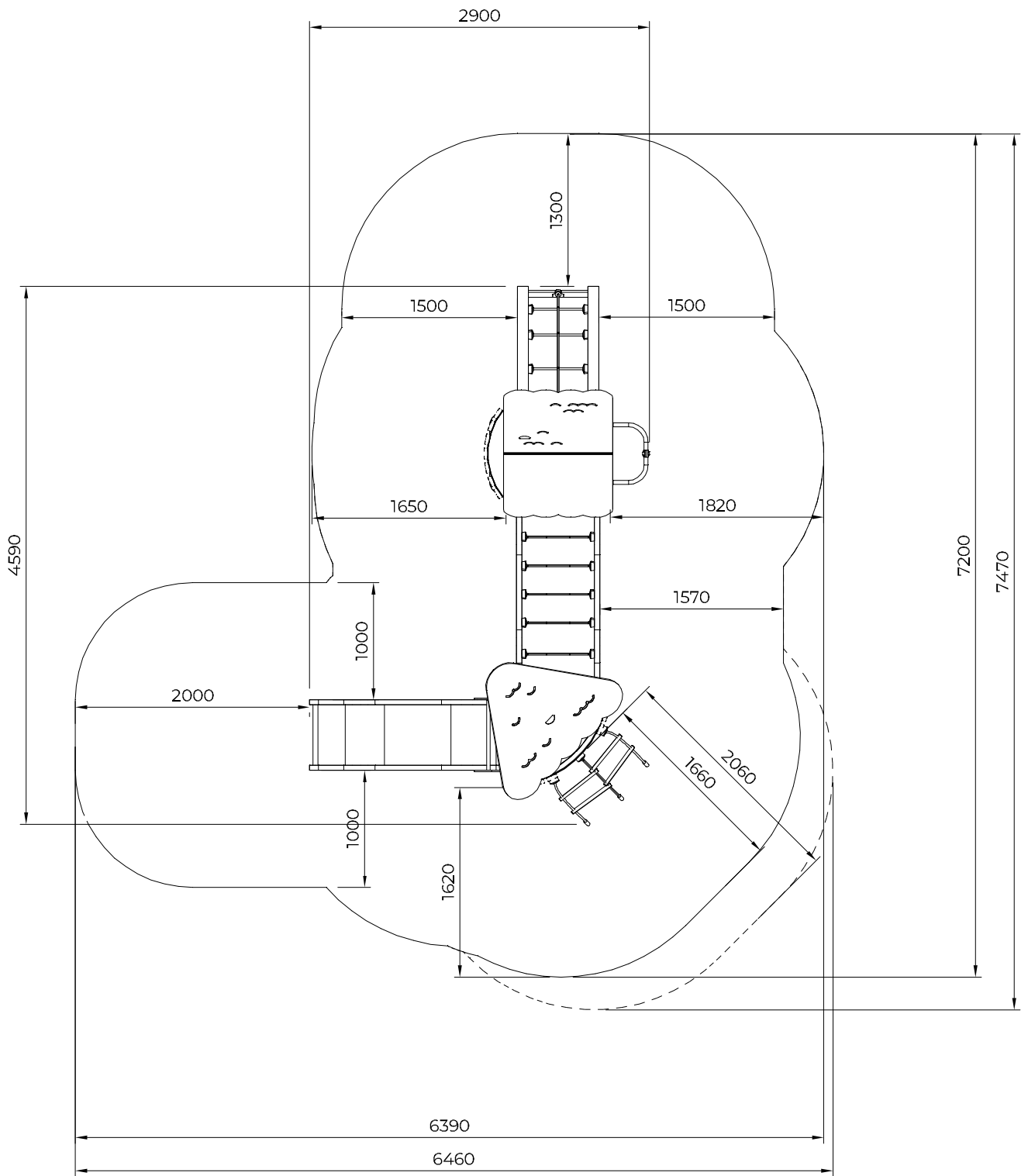
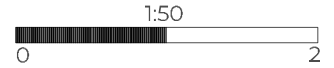
F24112M

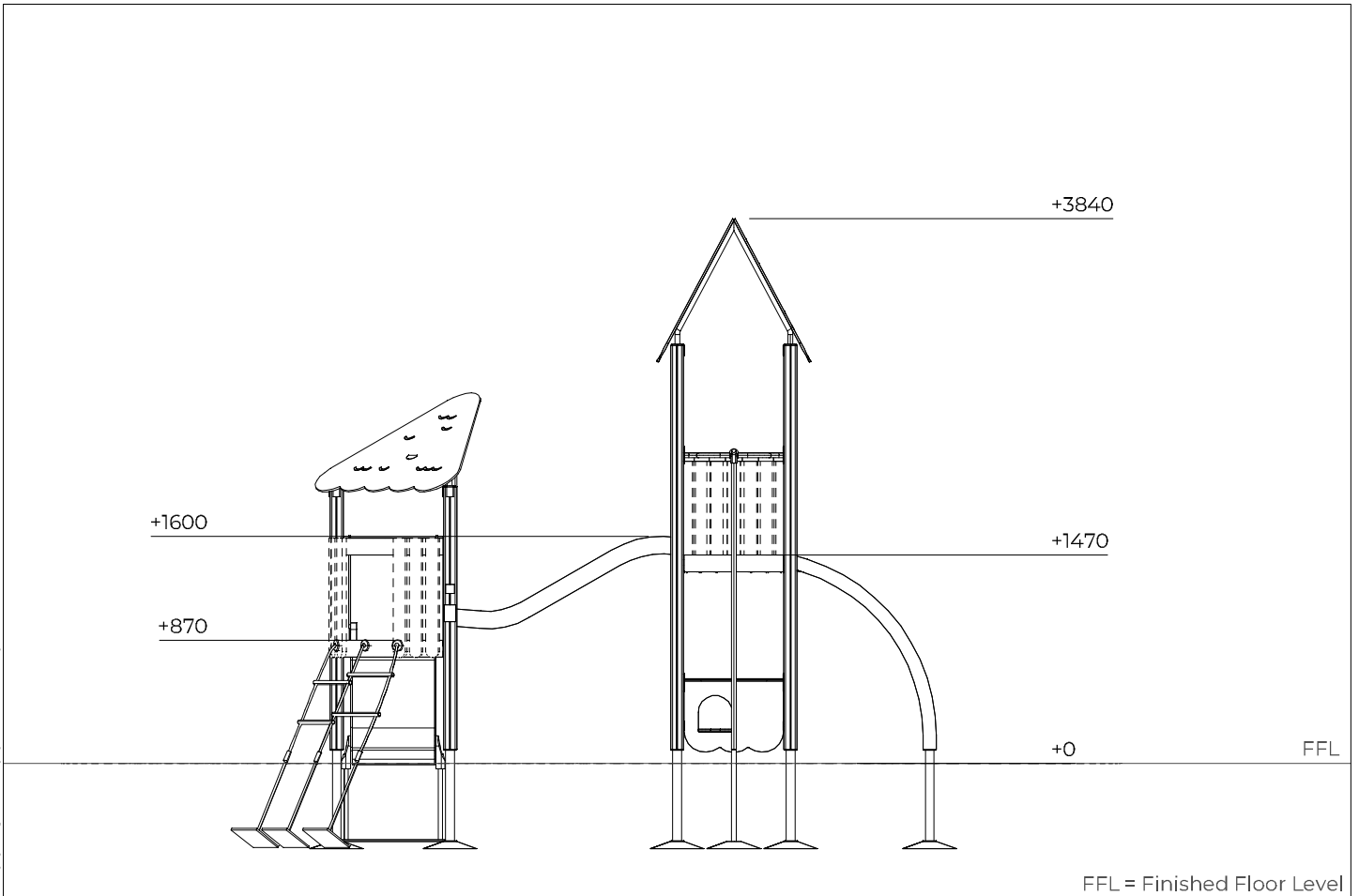
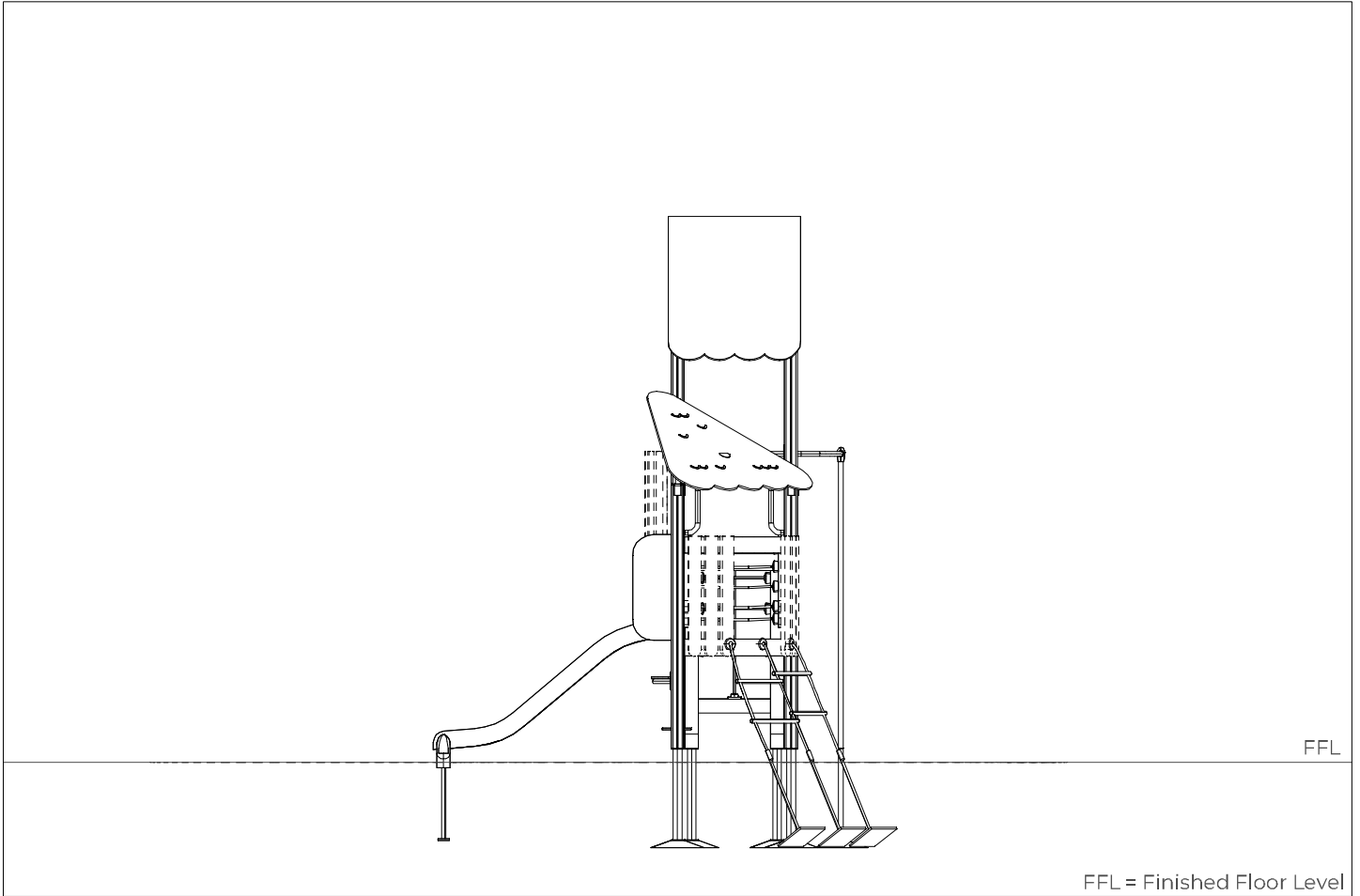


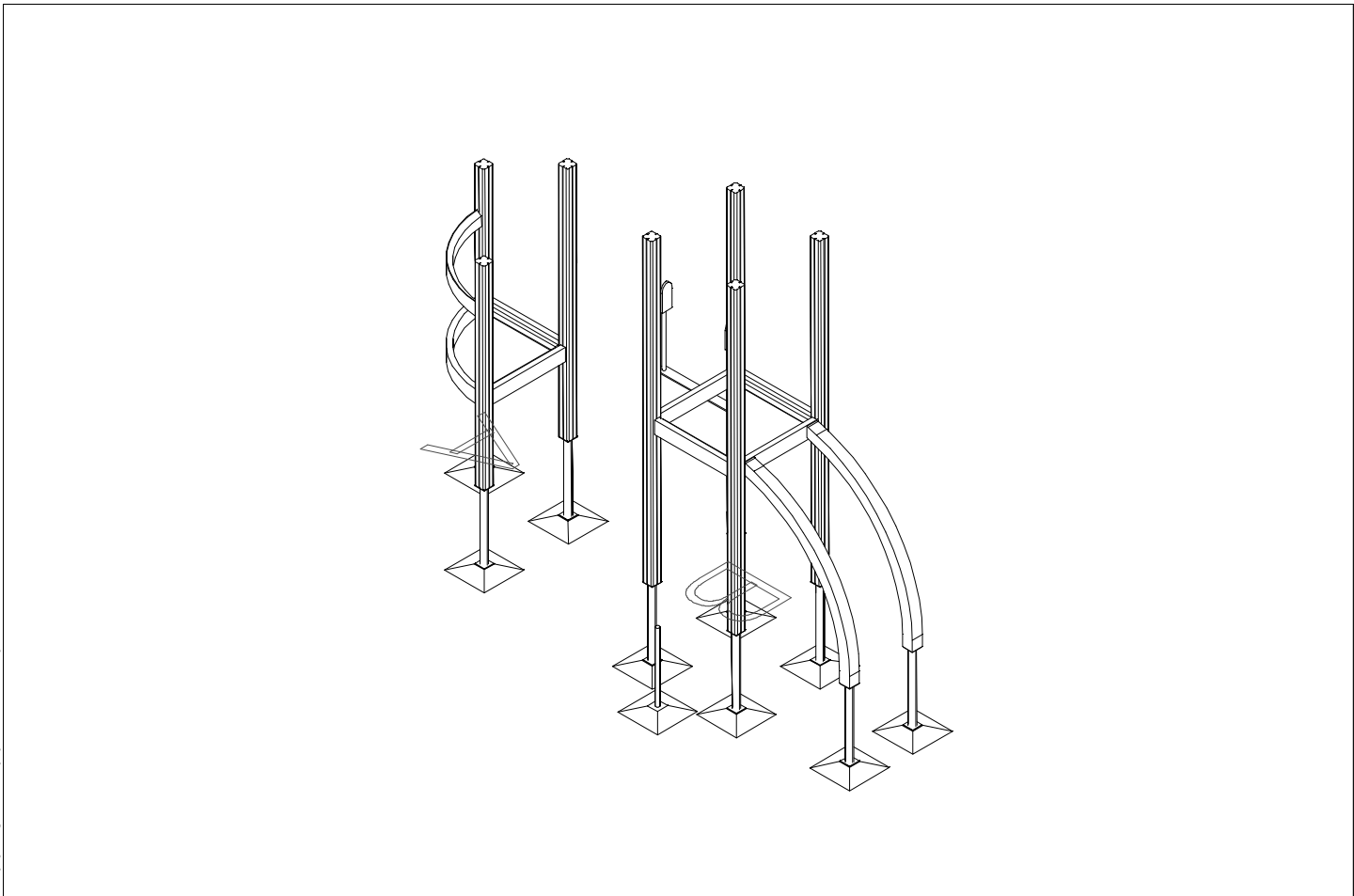
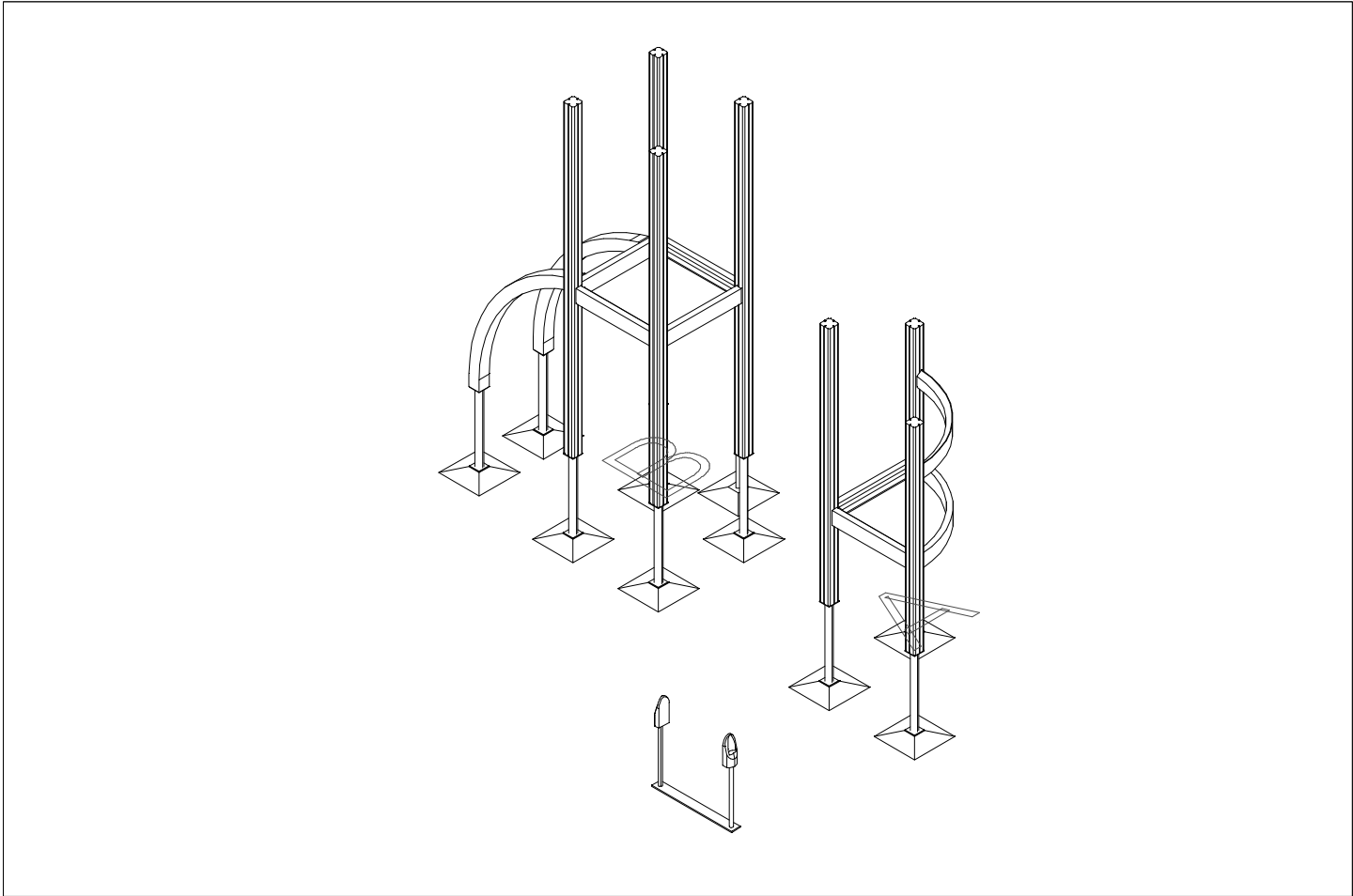
701606  L 700 	PCS 1	710468-001  	PCS 1	712034-001  L 1850	PCS 2	712038-001  L 2250	PCS 1	712044-001  L 2850	PCS 4	712460  	PCS 1
712488  	PCS 1	712497  	PCS 1	712499  	PCS 1	712501-001  	PCS 1	712513-001  +870 	PCS 1	712517-001  	PCS 1
712557  +1470 	PCS 1	712676  	PCS 1	712683  	PCS 1	712724-001  L 1096 	PCS 1	712730  	PCS 2	712743  	PCS 1
712747-001  L 704 	PCS 6	712752  	PCS 3	712780  L 704 	PCS 2	712797  	PCS 1	712798  	PCS 1	712799-001  	PCS 2
712819-001  	PCS 1	712889  L 700 	PCS 9	712922-001  	PCS 1	712965  	PCS 1	712966  	PCS 1	712994  	PCS 1
712995-001  	PCS 1	713281  	PCS 5	713337  12x1199x1336	PCS 1	713345  	PCS 1	713352-001  	PCS 1		PCS
	PCS		PCS		PCS		PCS		PCS		PCS

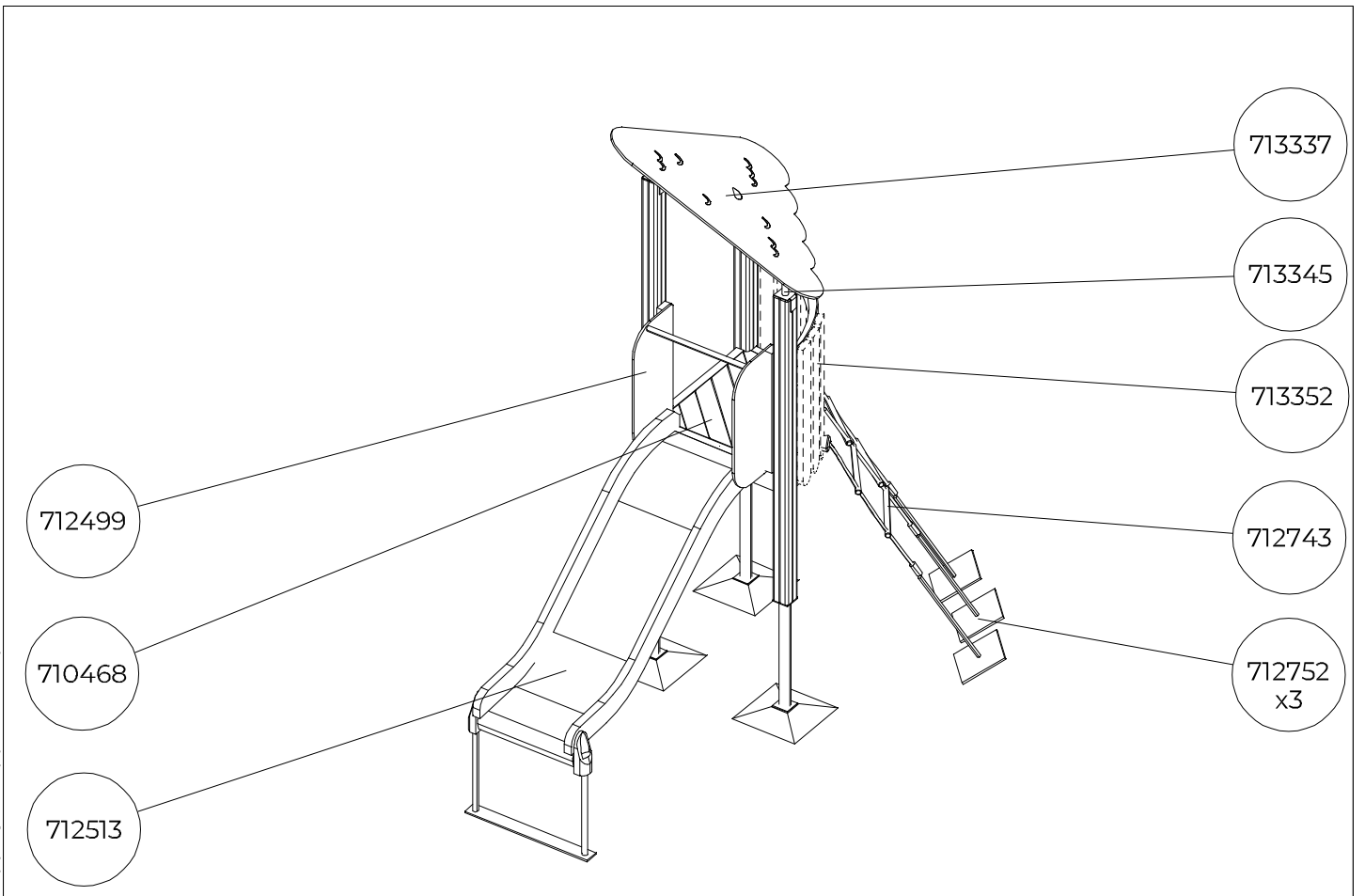
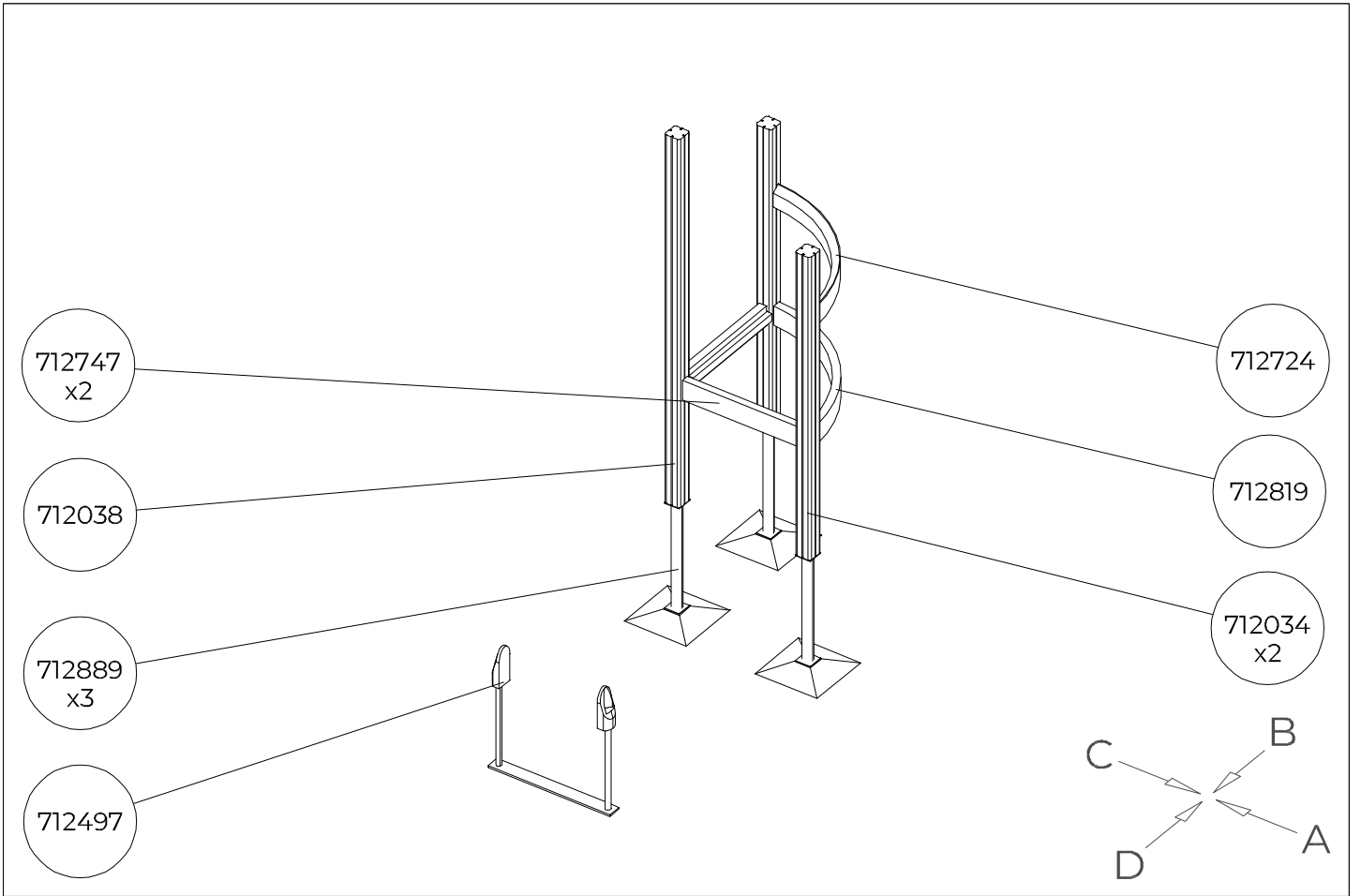


— EN/AS Impact Area 31 m²
- - - Falling Space 33 m²
Max Falling Height 1600 mm





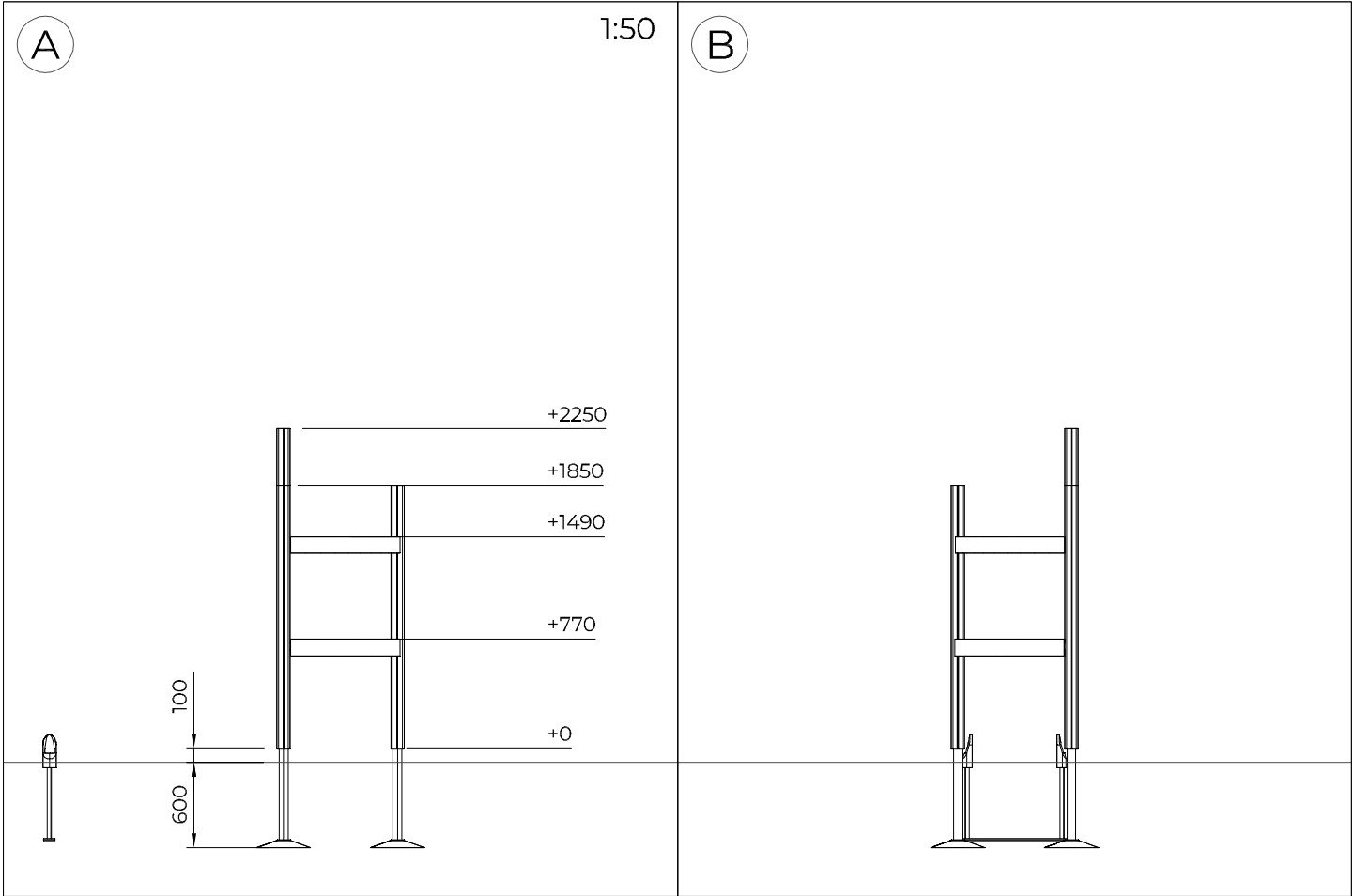




1:50

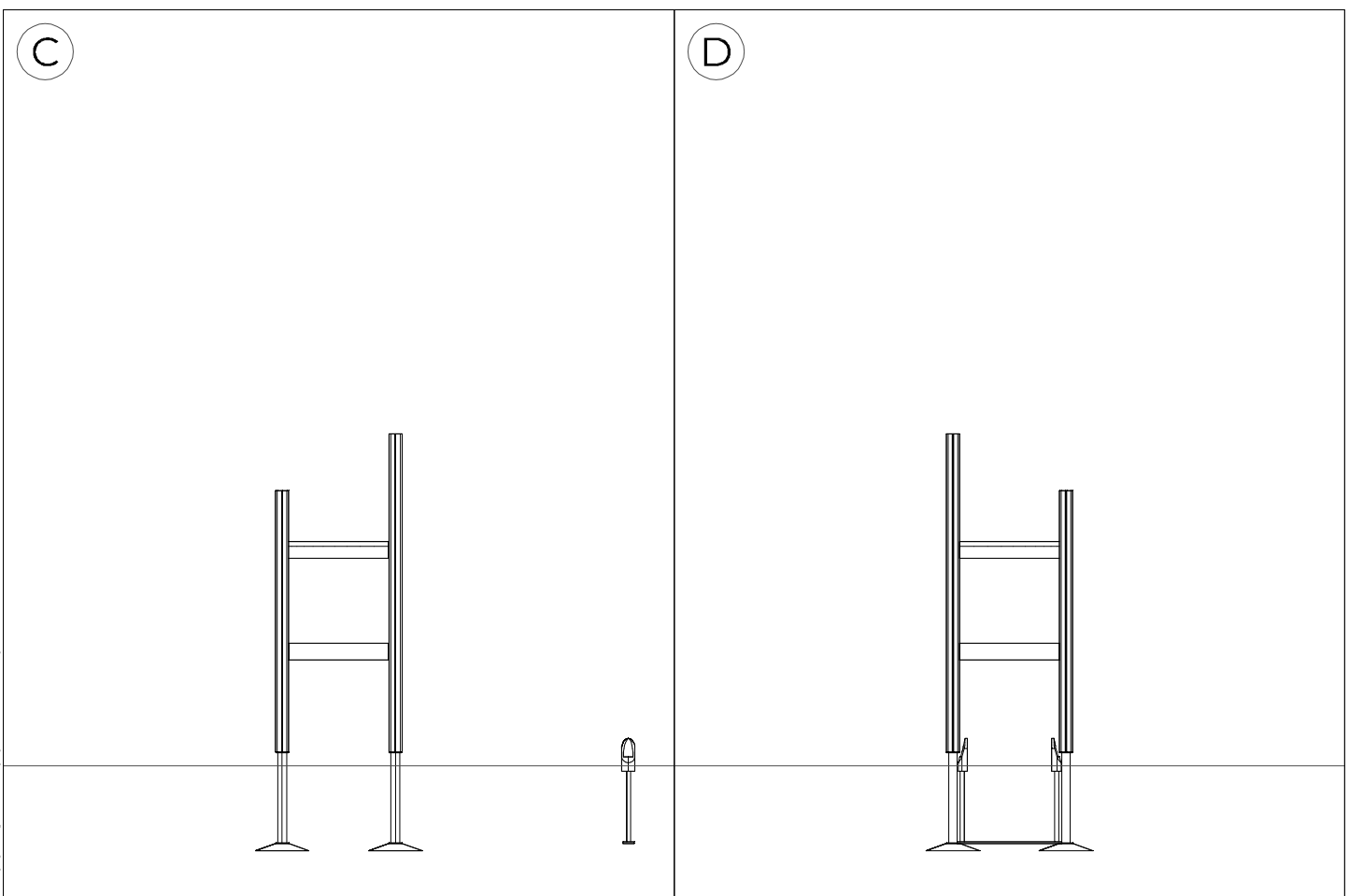
A

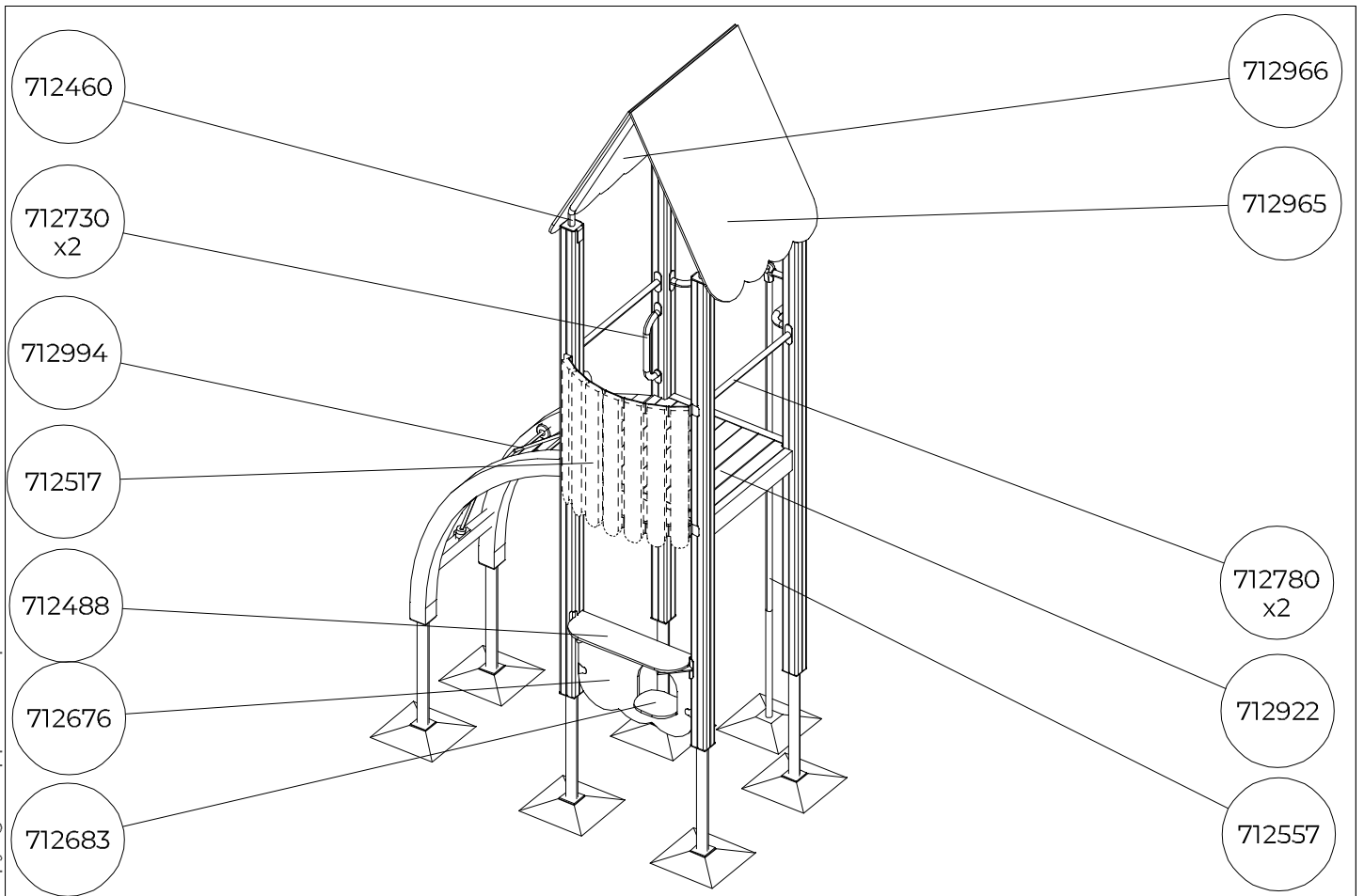
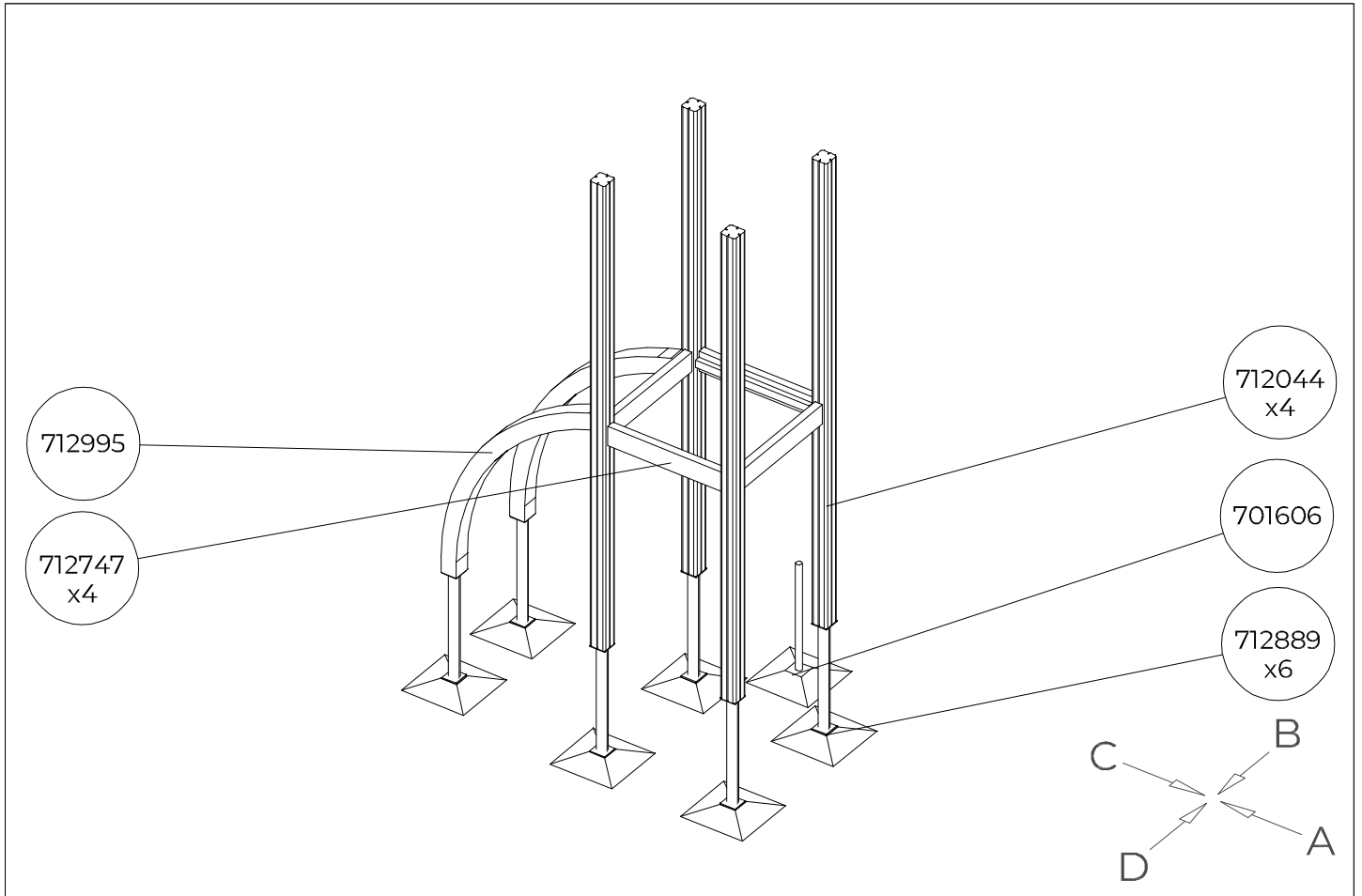
B

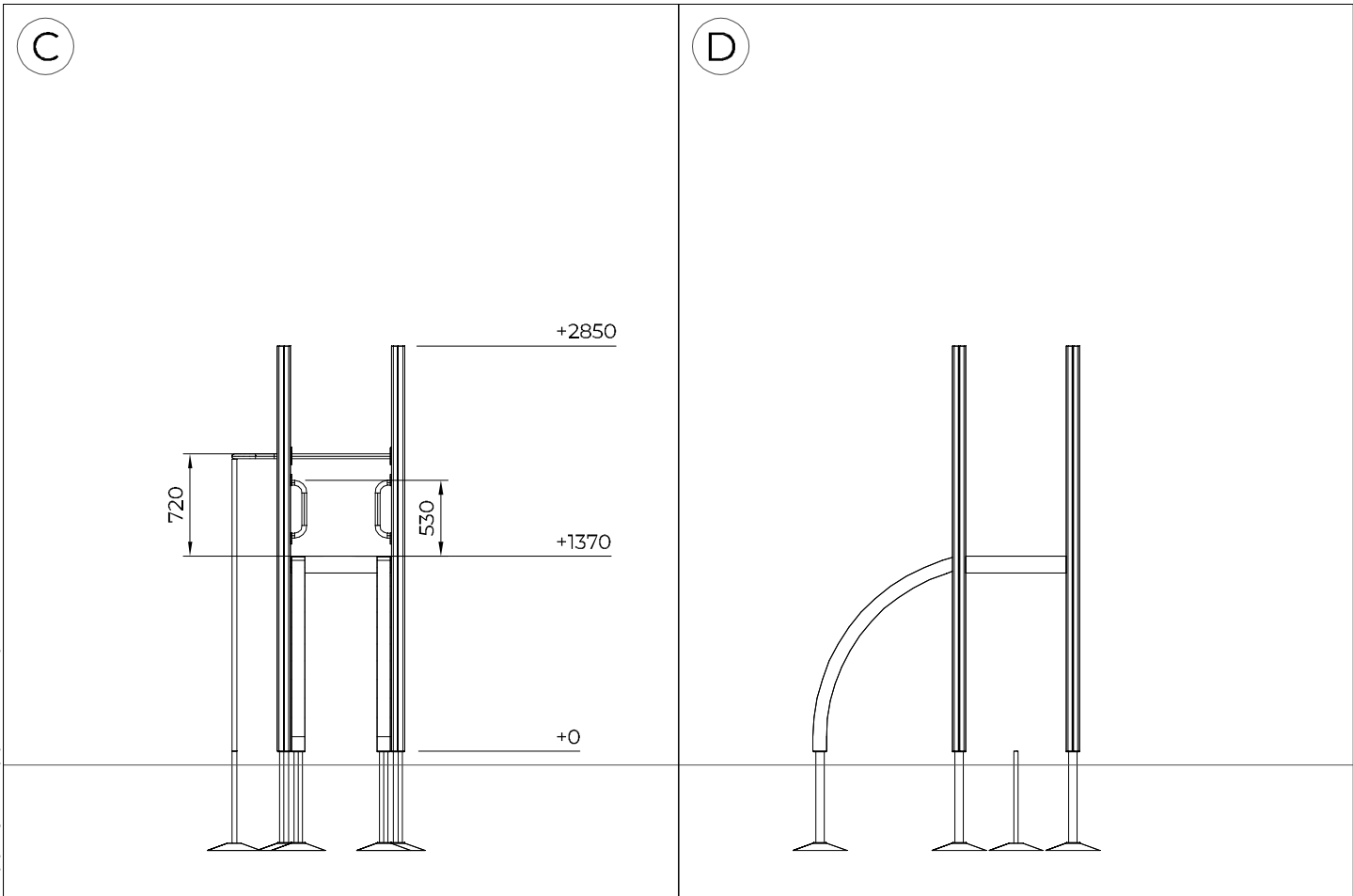
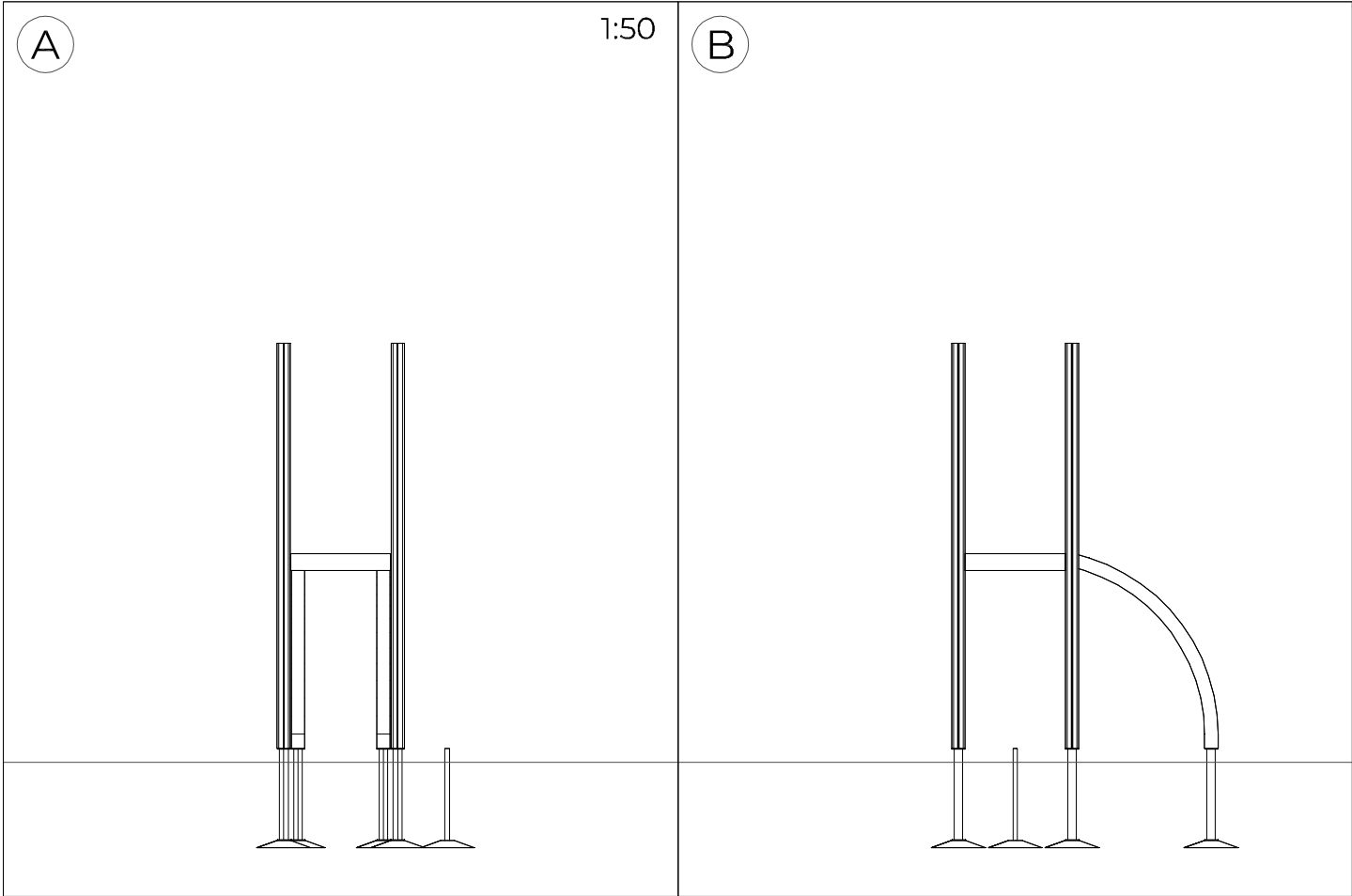


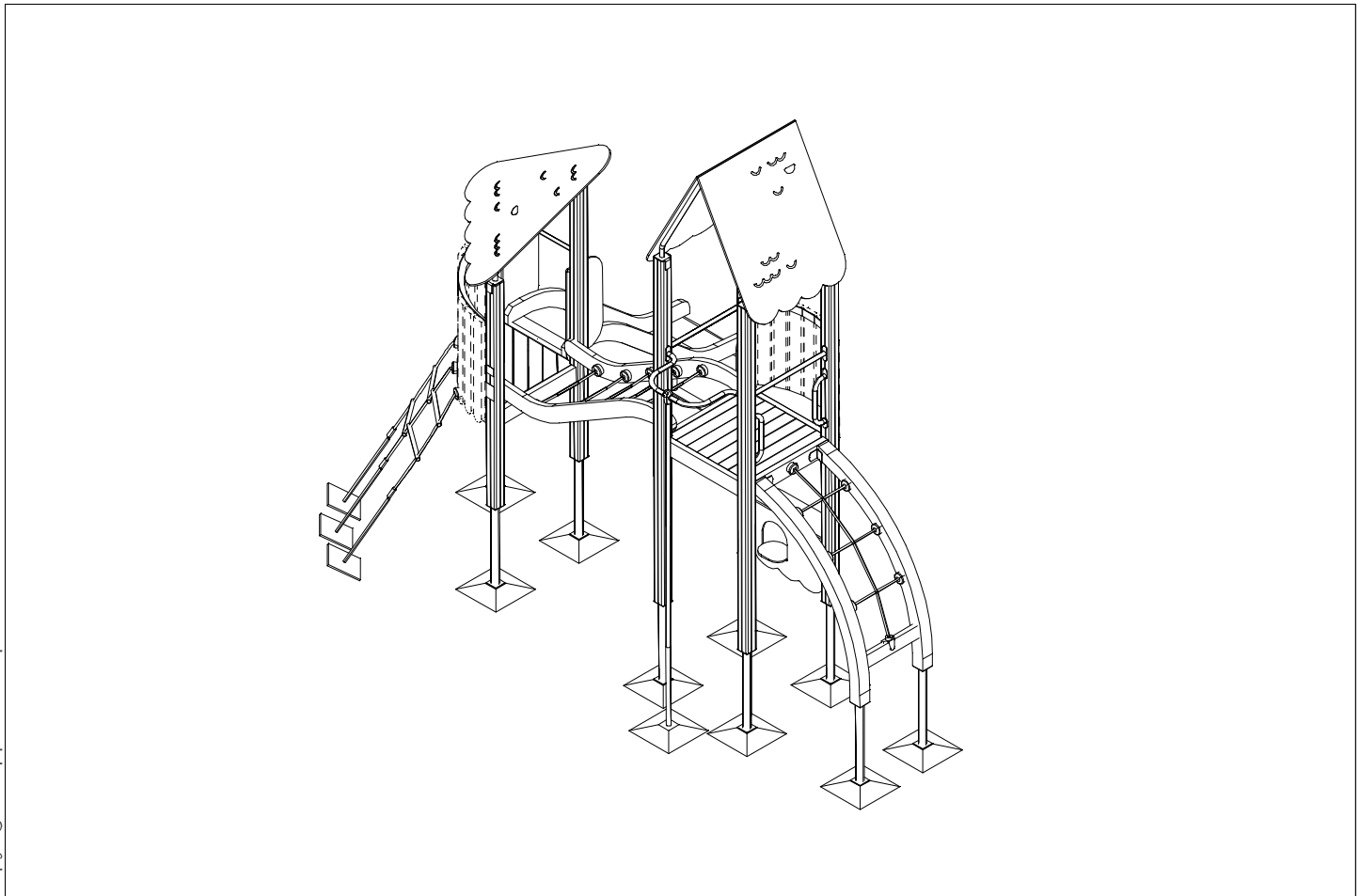
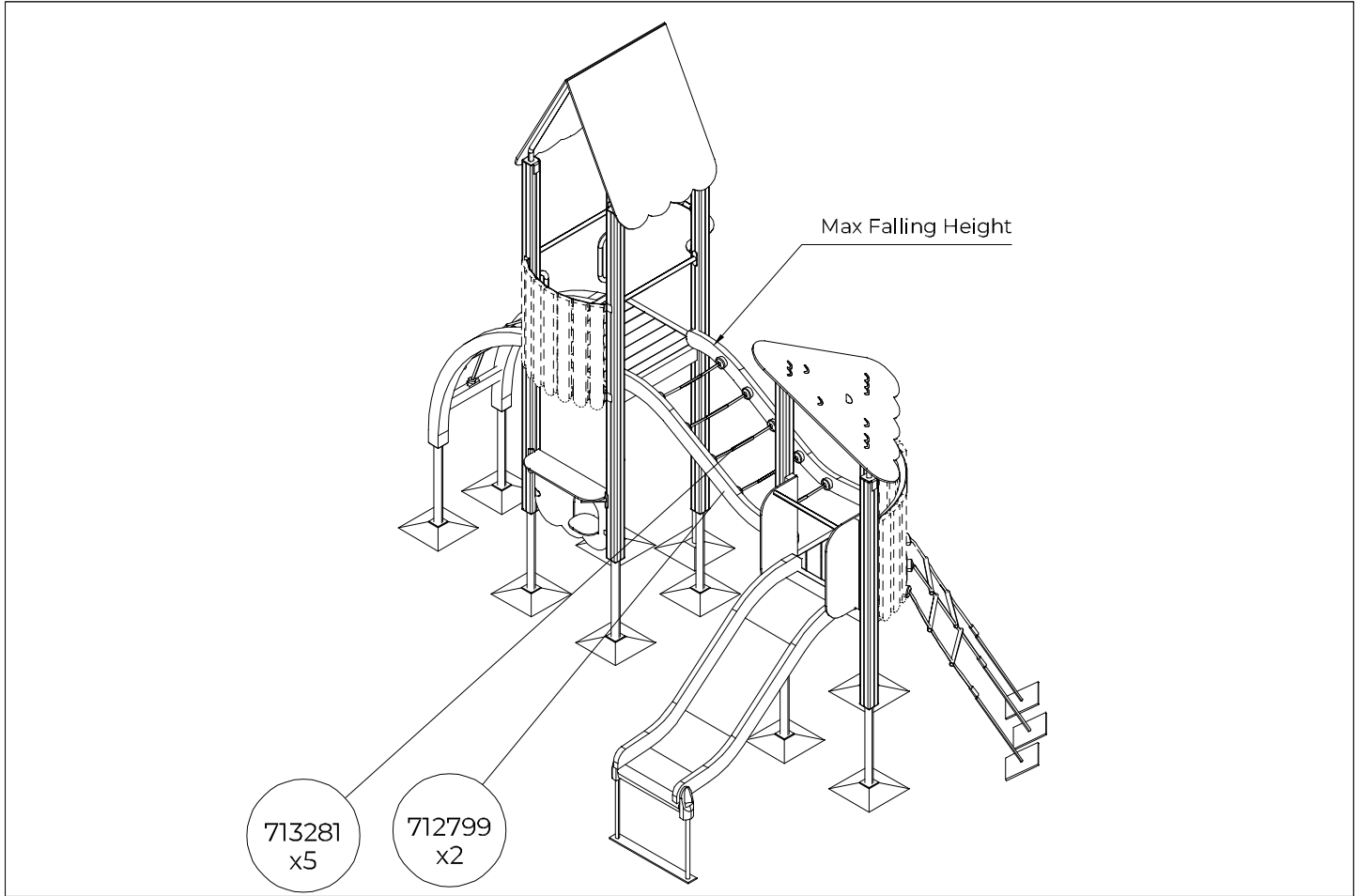
C

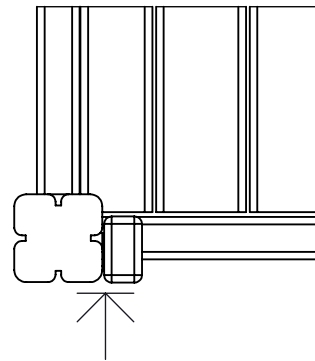
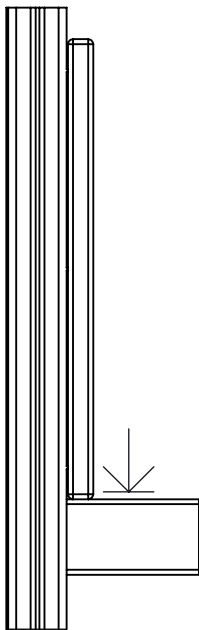
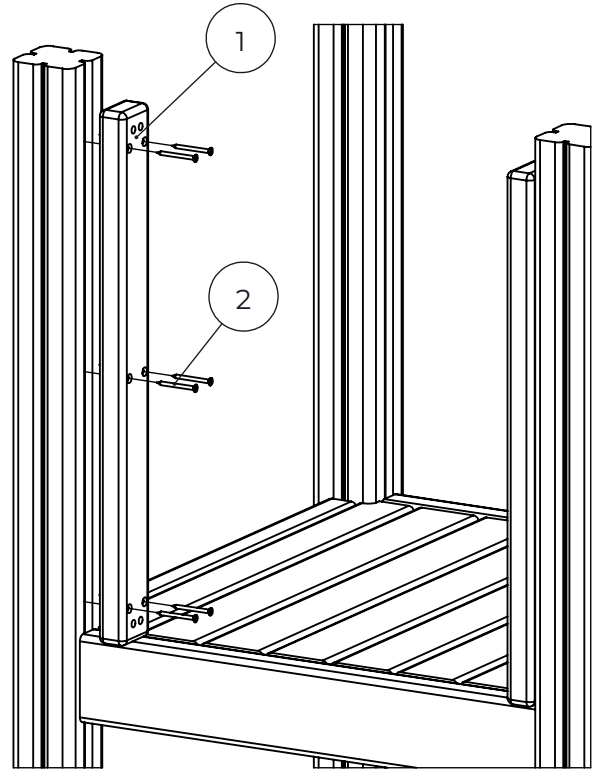
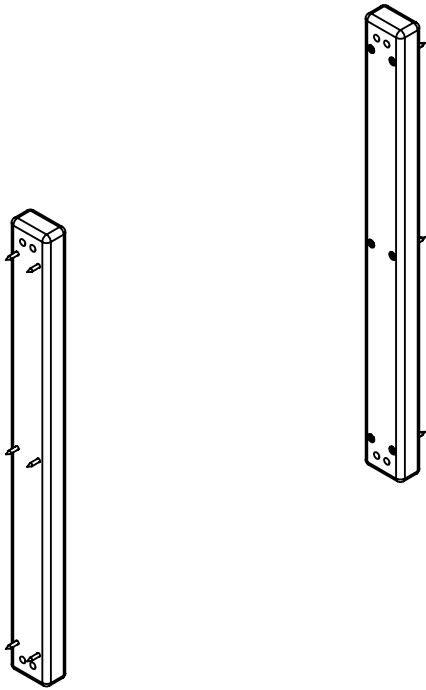
D



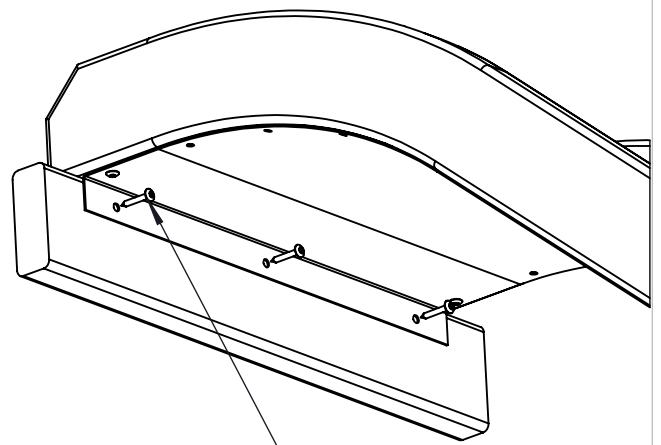
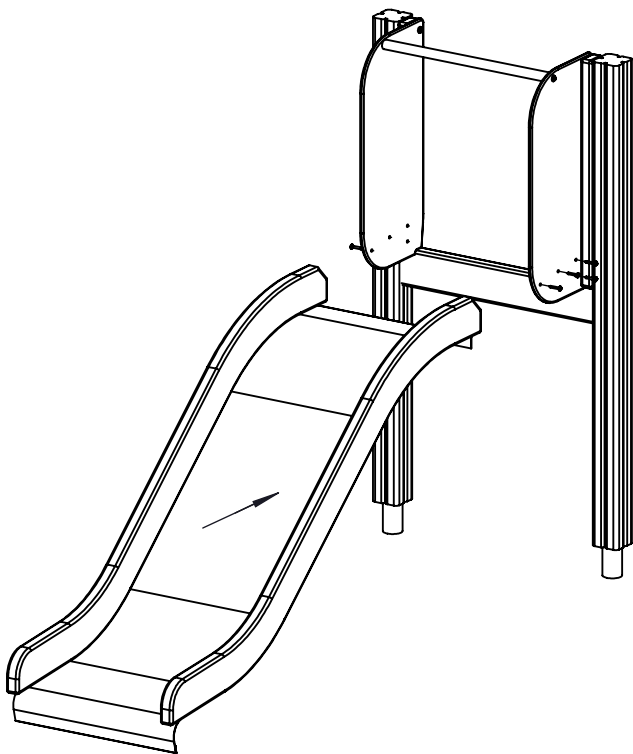
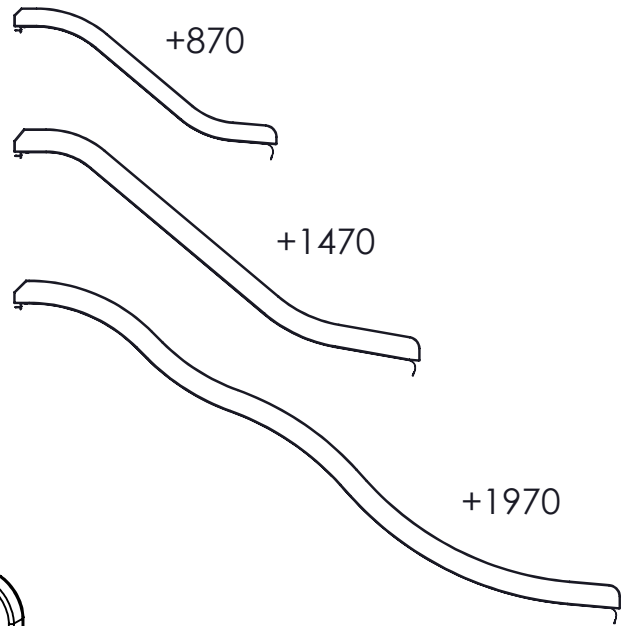
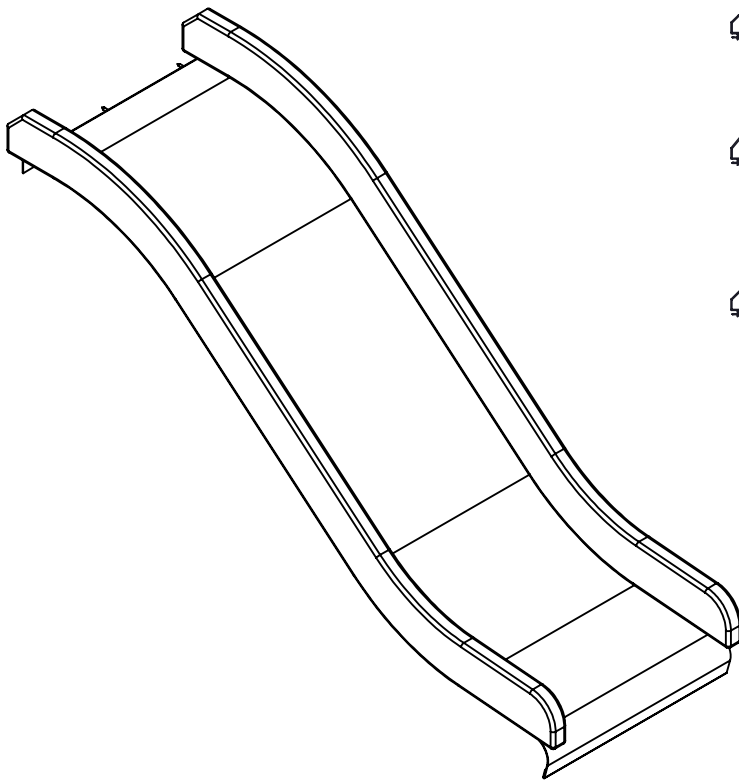


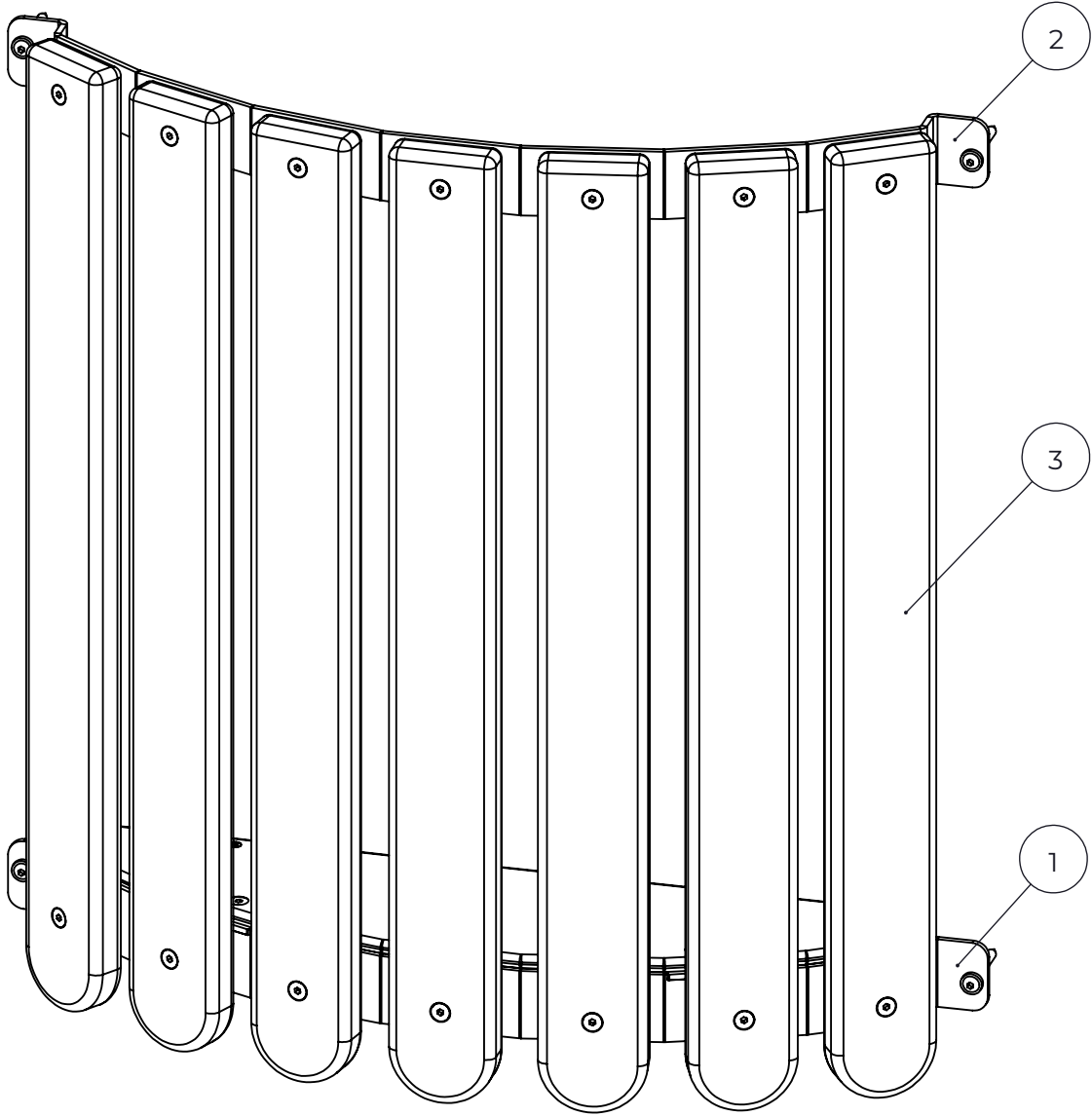




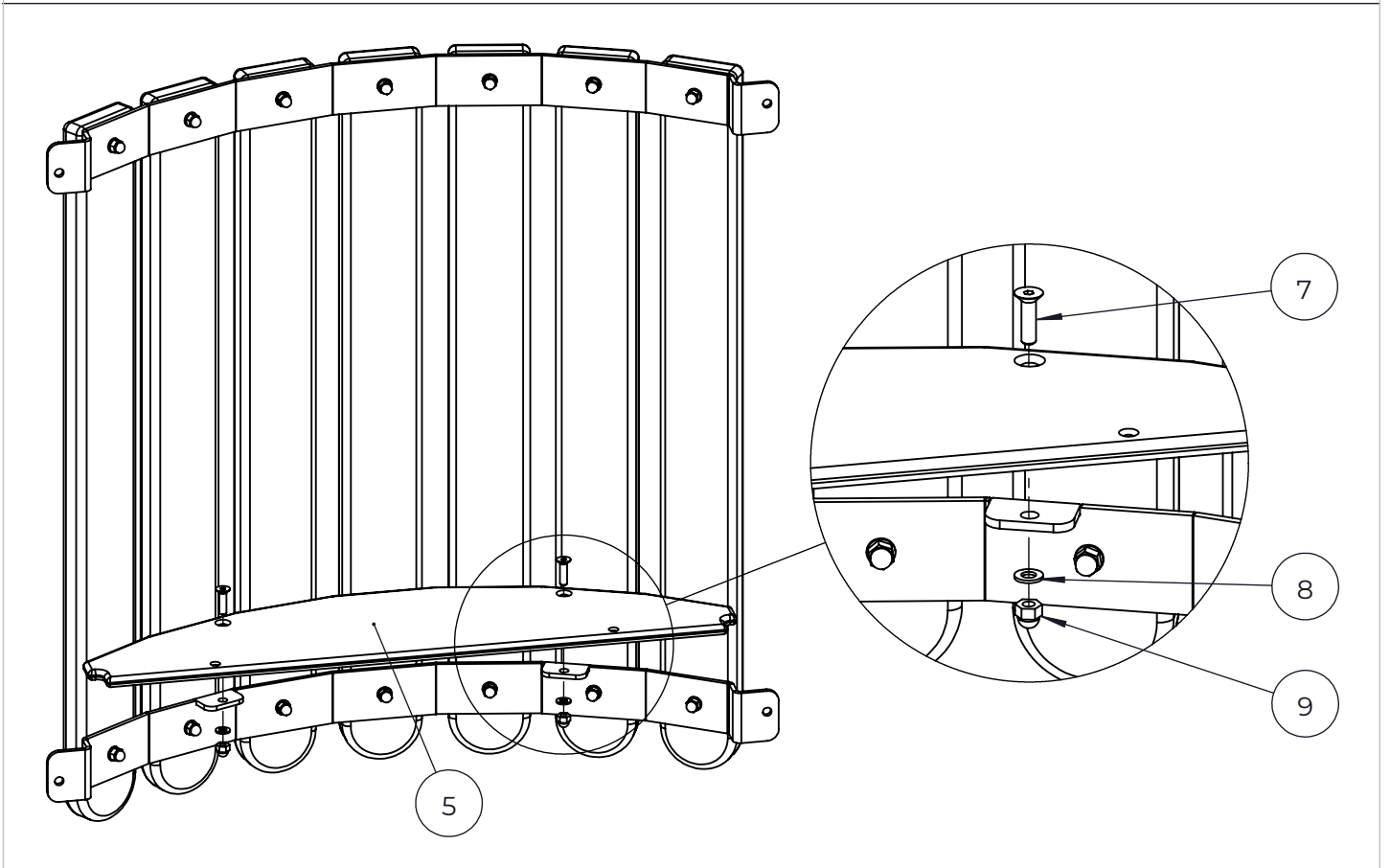
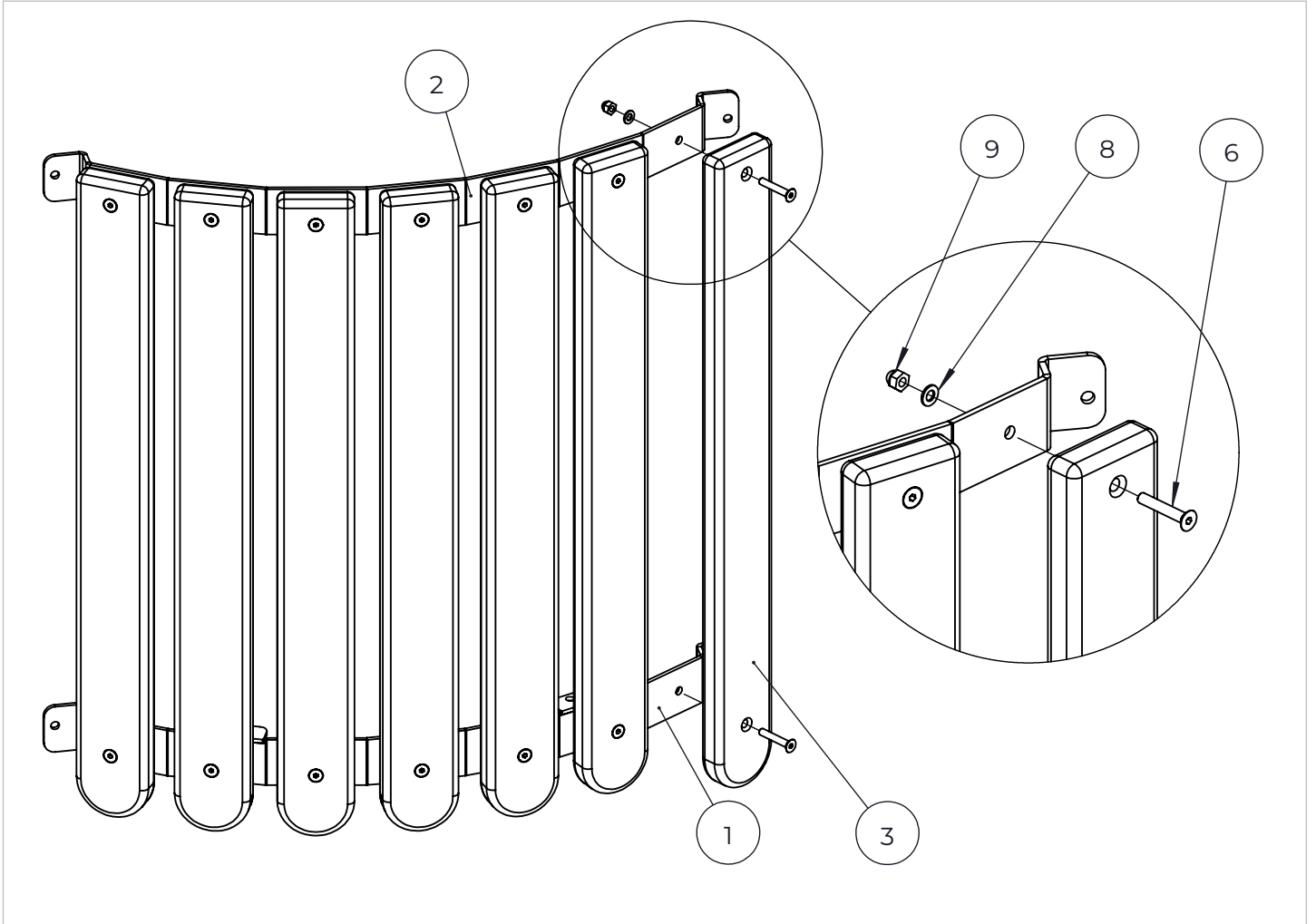


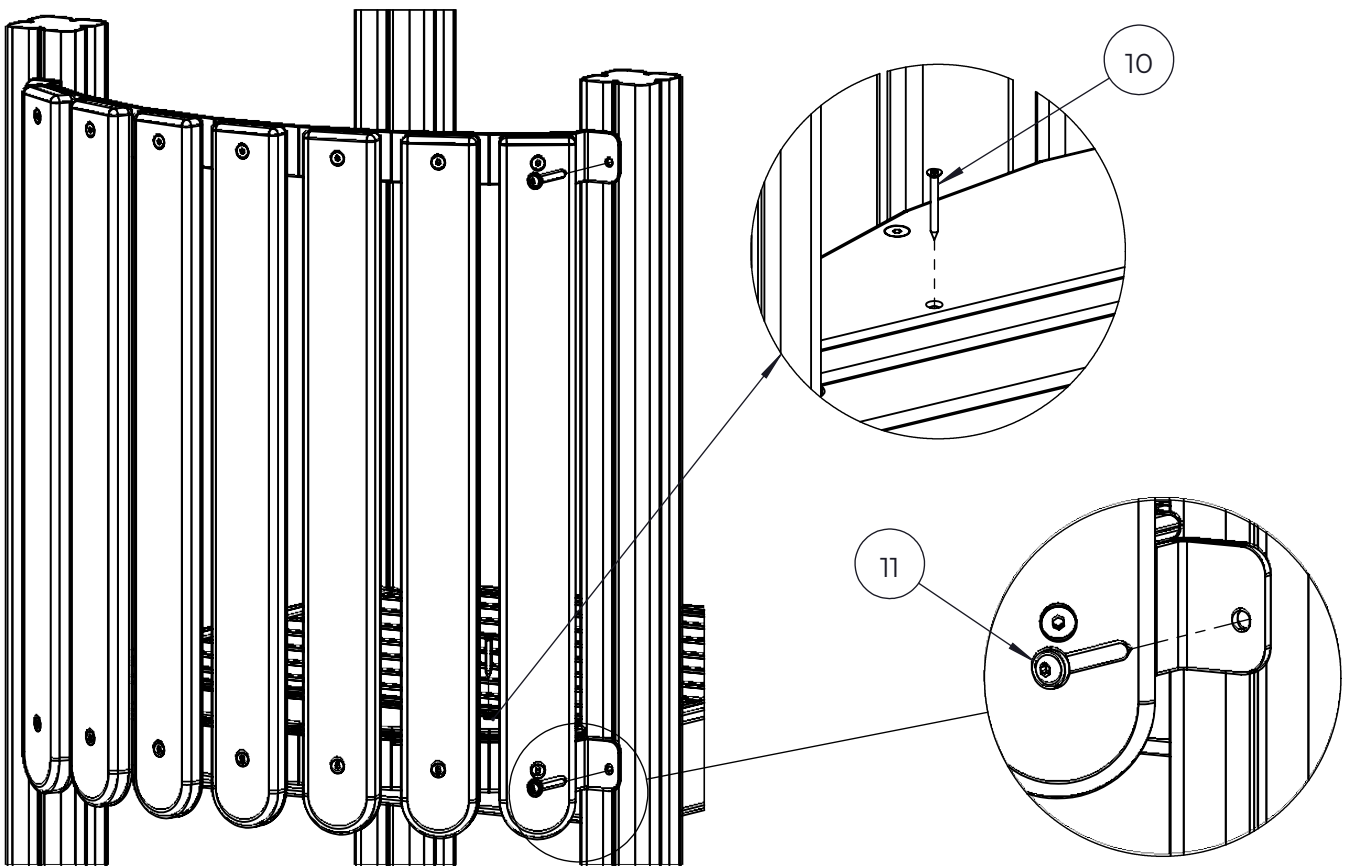
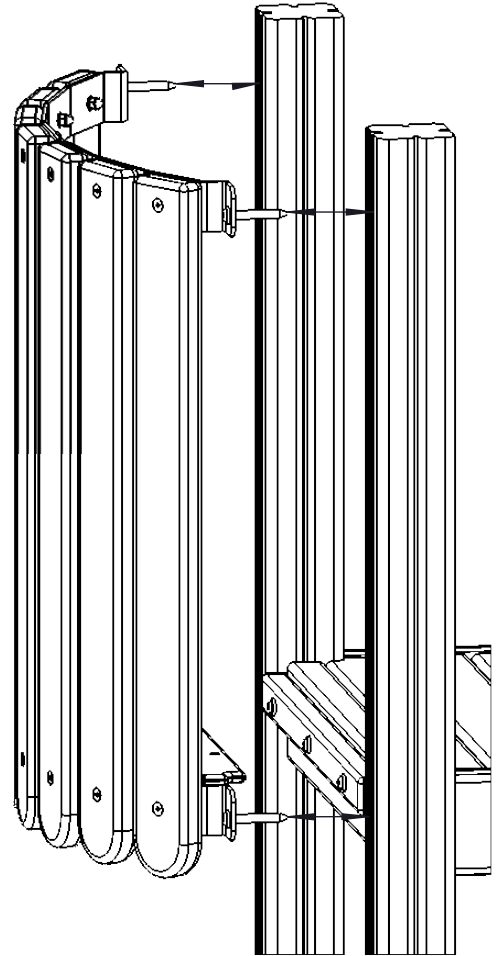
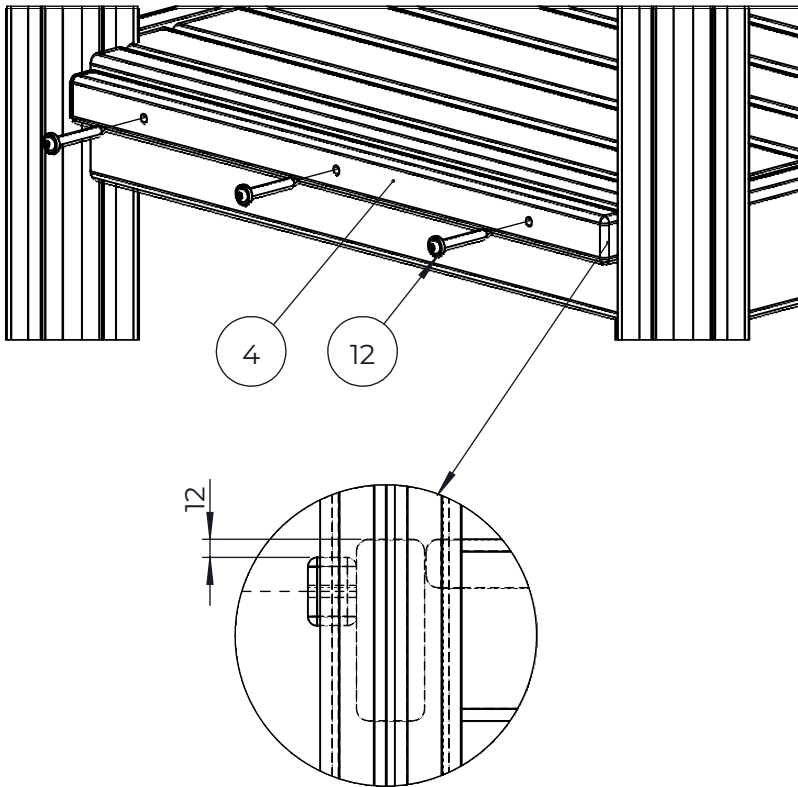
NO.	ITEM CODE			QTY.
1	712303	BATTEN	40x70x730	2
2	980100	SCREW	Ø5x60	12

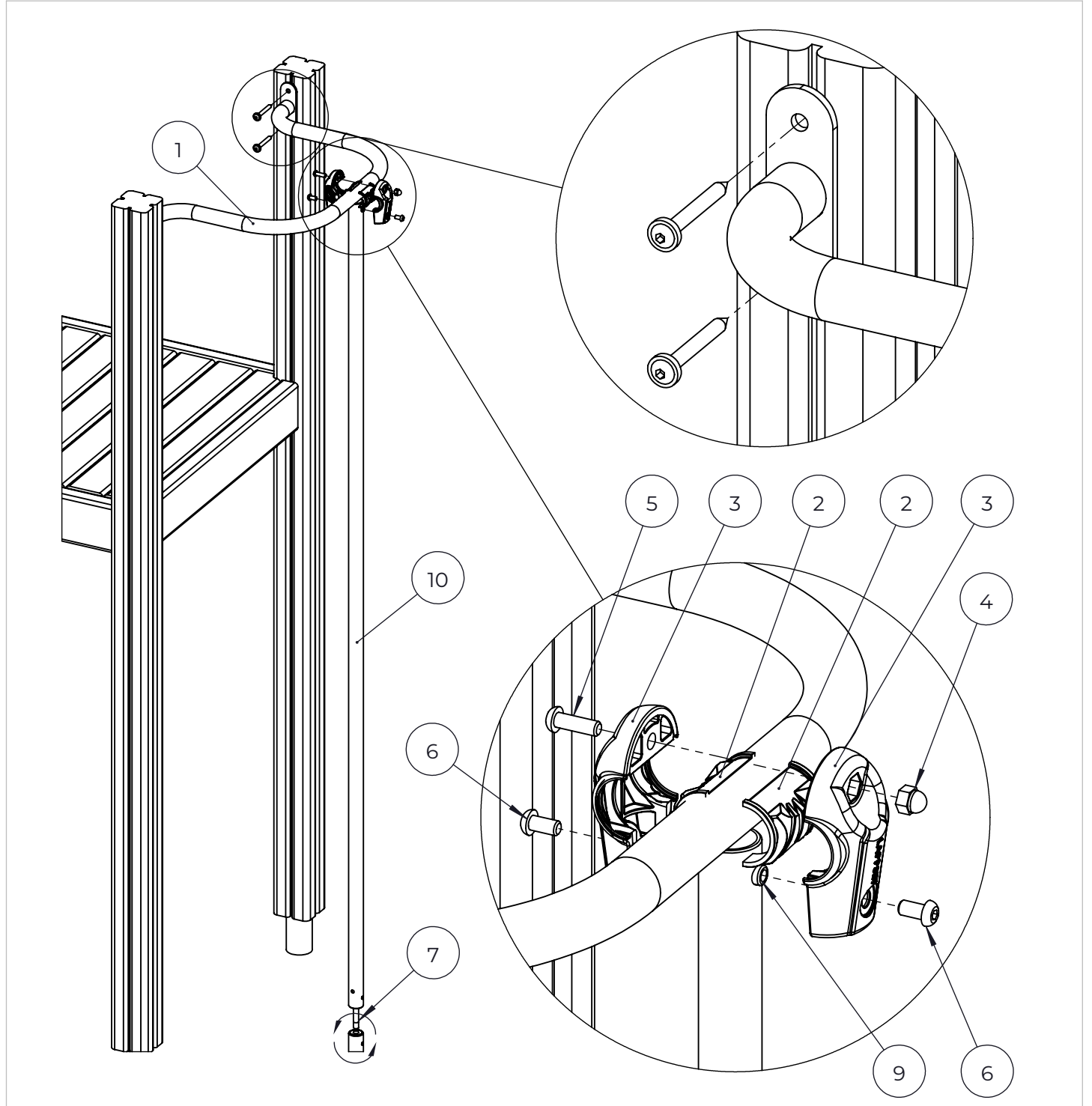




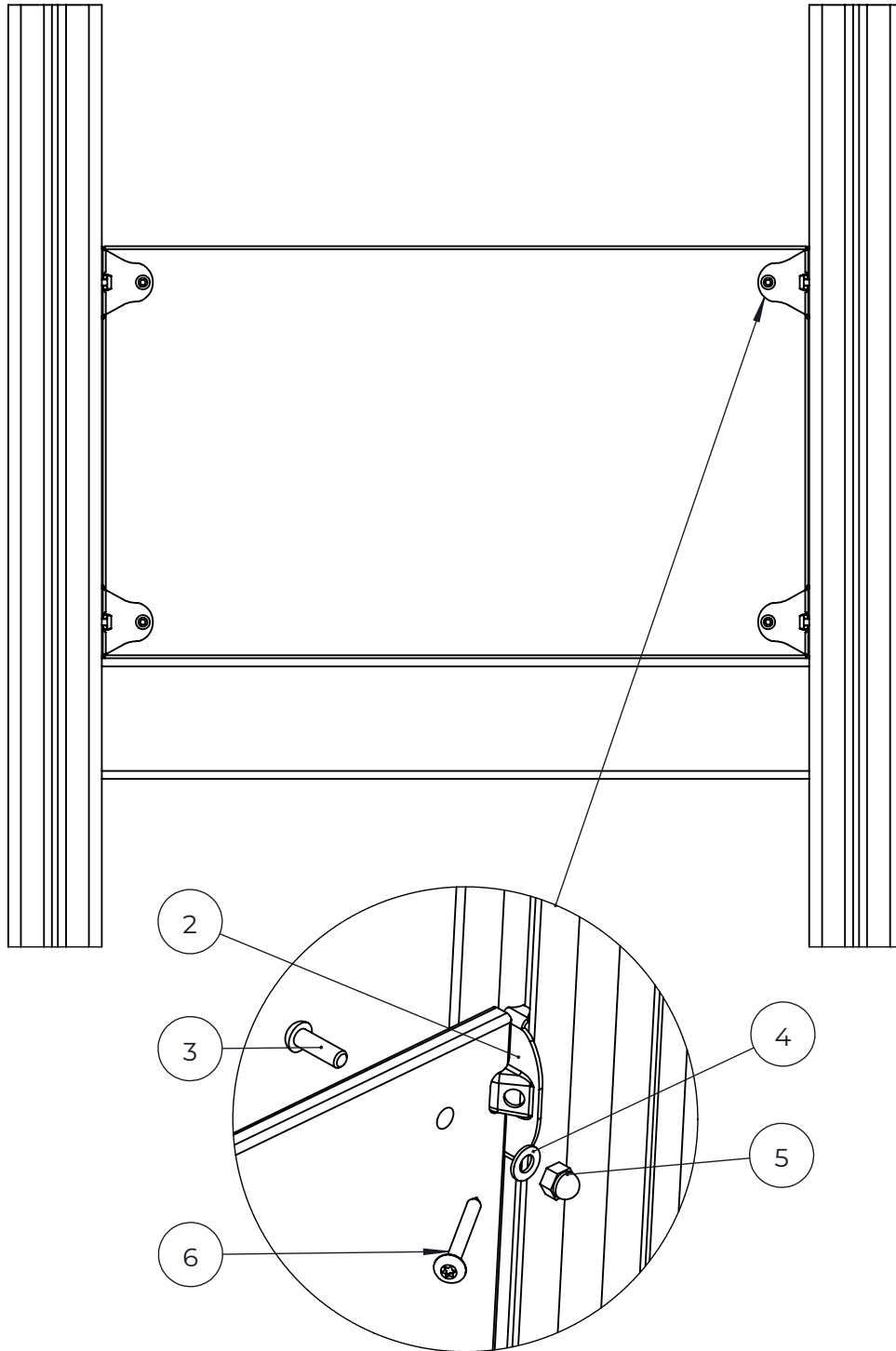
NO.	ITEM CODE			QTY.
1	914417	SUPPORT	60x155x826	1
2	914416	SUPPORT	60x155x826	1
3	710467	LATH	32x90x845	7
4	70644	STRIP	32x45x702	1
5	712053	FLOOR	12x176x732	1
6	909854	COUNTERSUNK SCREW	M8x50	14
7	900348	ALLEN SCREW	M8x30	2
8	909256	WASHER	Ø16/8.4x1.6	16
9	909633	NUT	M8	16
10	902270	SCREW	Ø5x50	2
11	900240	SPECIAL SCREW	Ø8x70	7



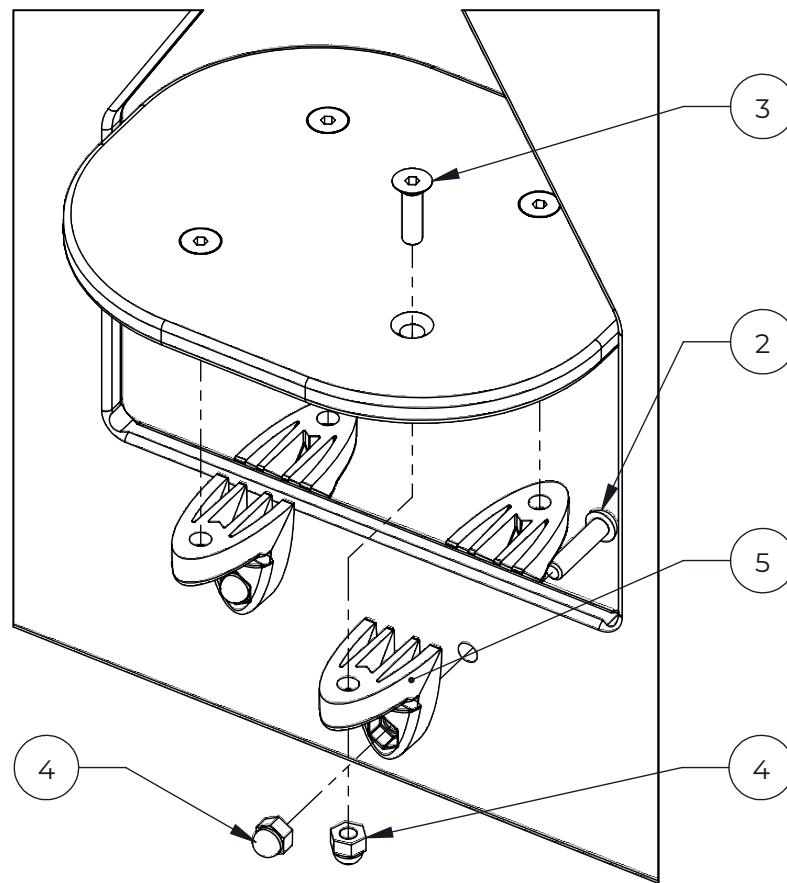
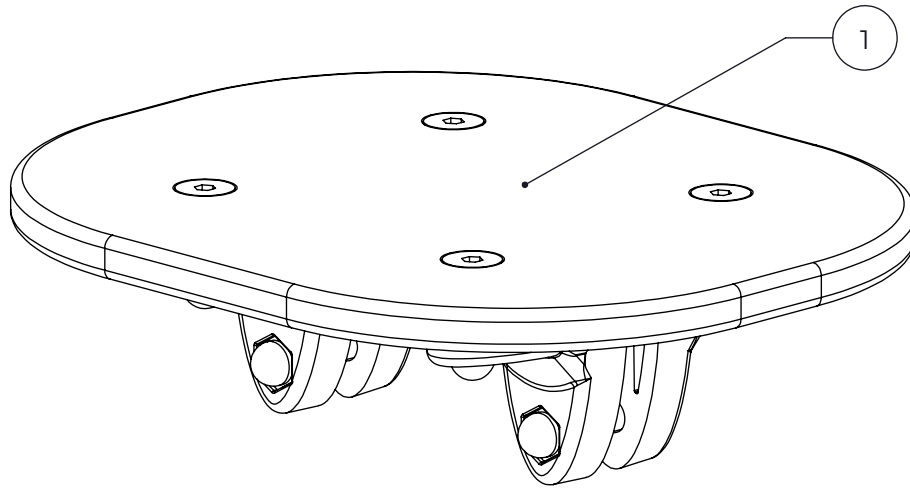




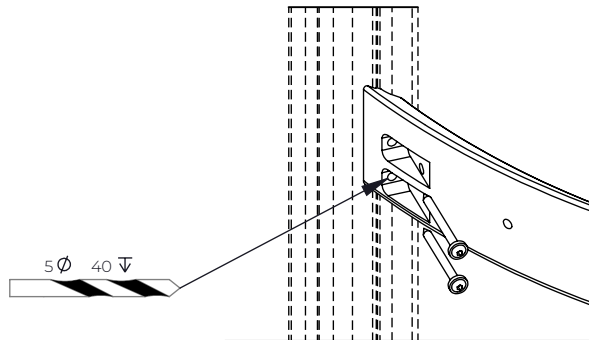
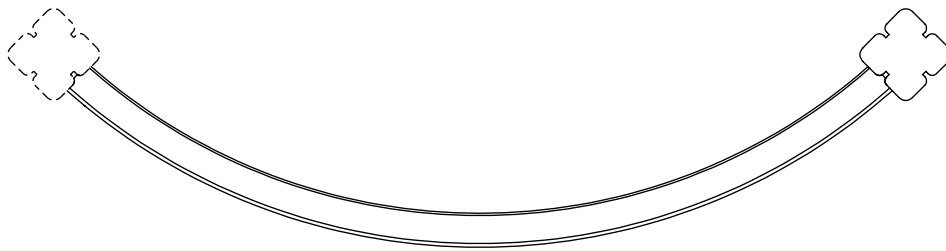
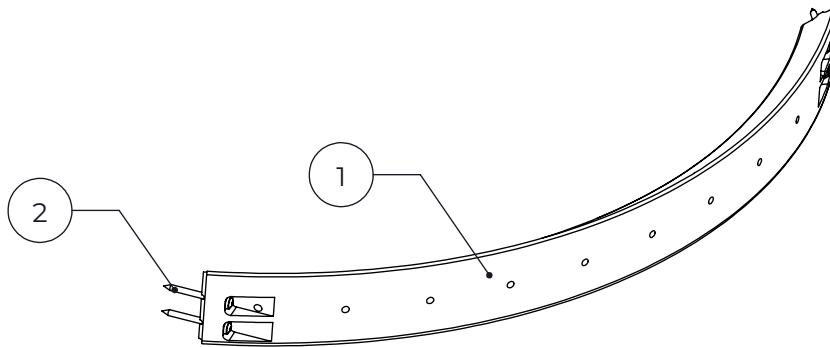
NO.	ITEM CODE			QTY.
1	914891	BAR ELEMENT	120x387x708	1
2	901900	FRICTION RUBBER	20.5x36.2x56	2
3	901902	CLAMP	30.7x60.9x100	2
4	909633	NUT	M8	1
5	909850	ALLEN SCREW	M8x25	1
6	900342	ALLEN SCREW	M8x16	2
7	901939	STUDBOLT	DIN939	1
8	900240	SPECIAL SCREW	Ø8x70	4
9	901182	SPECIAL NUT	Ø11/M8x40	1
10	914891	BAR ELEMENT	Ø33,7x2054	1



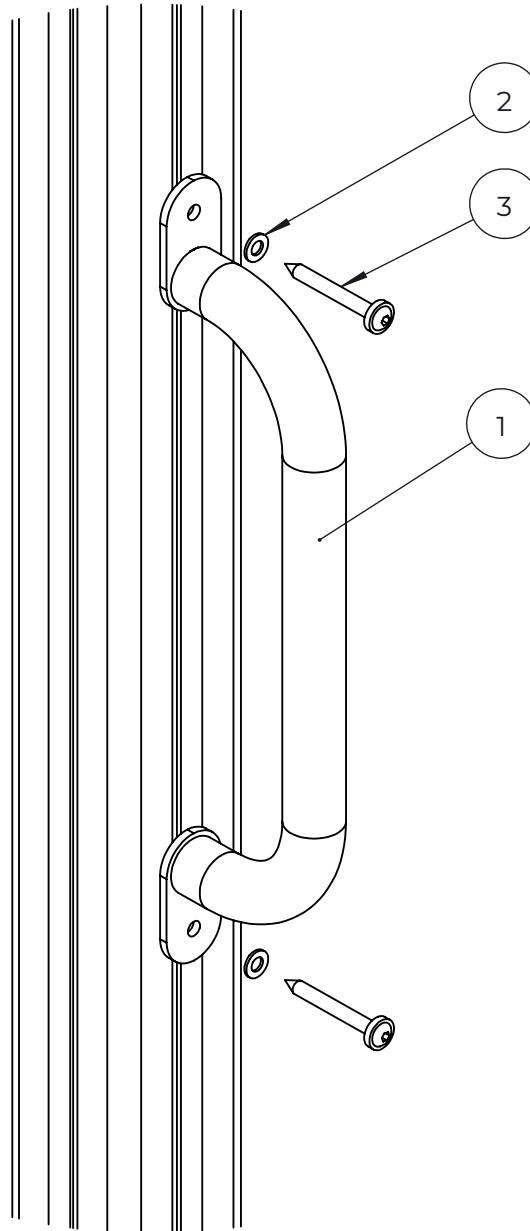
NO.	ITEM CODE			QTY.
2	903176	CLAMP		4
3	909850	ALLEN SCREW	M8x25	4
4	909256	WASHER	Ø16/8.4x1.6	4
5	909633	NUT	M8	4
6	980123	SPECIAL SCREW	Ø7x60	4



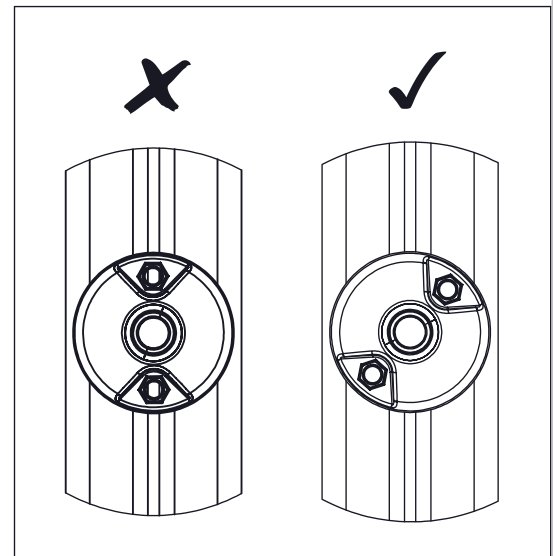
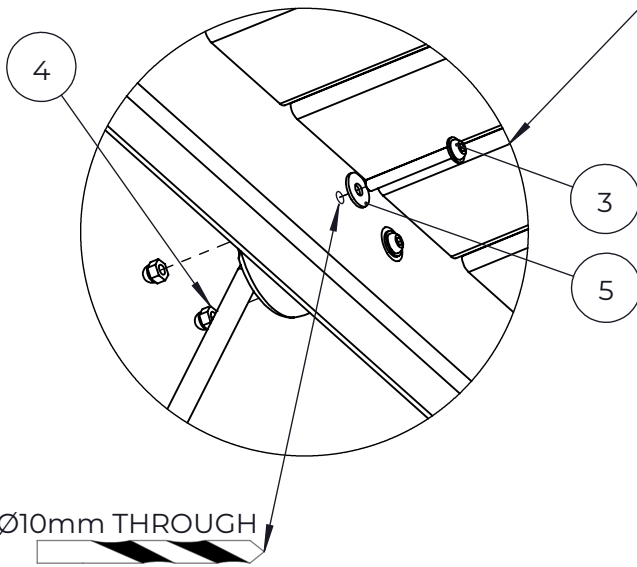
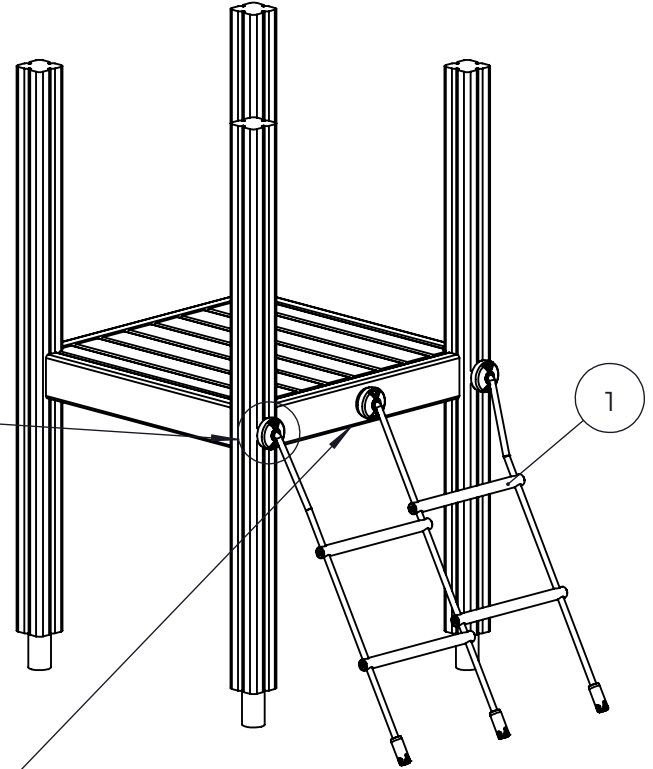
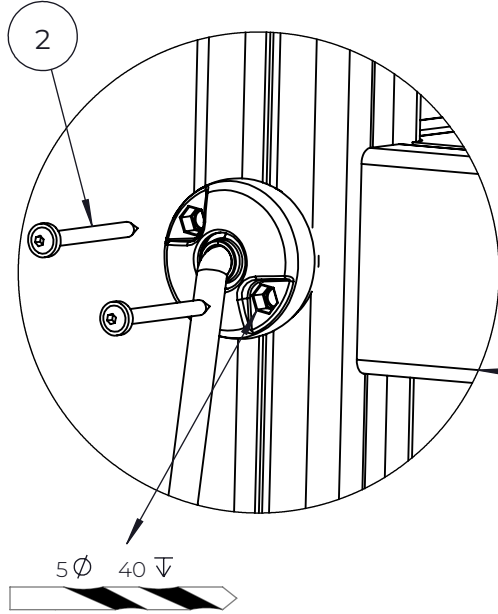
NO.	ITEM CODE			QTY.
1	712307	PLATE	12x200x238	1
2	909855	ALLEN SCREW	M8x35	2
3	900348	ALLEN SCREW	M8x30	4
4	909633	NUT	M8	6
5	901570	CLAMP	36x55x55	4



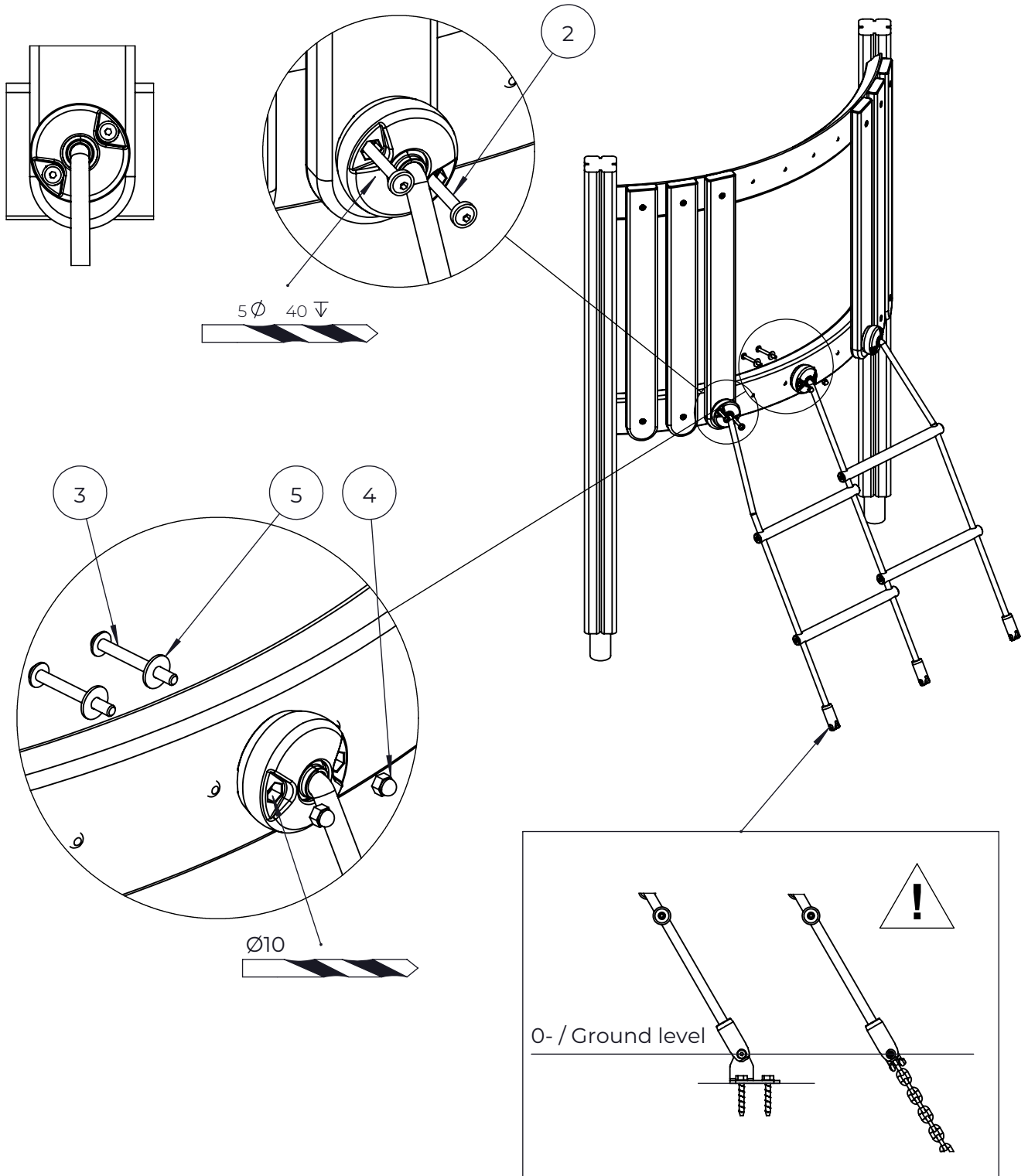
NO.	ITEM CODE			QTY.
1	710469	ARCH ELEMENT	45x120x1096	1
2	903093	SPECIAL SCREW	Ø8x90	4



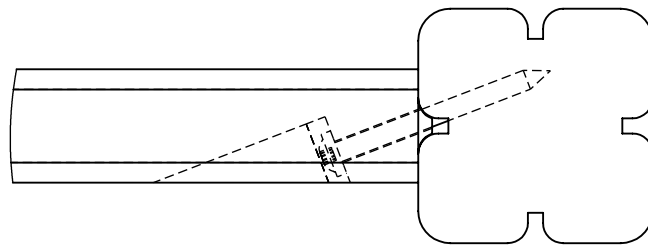
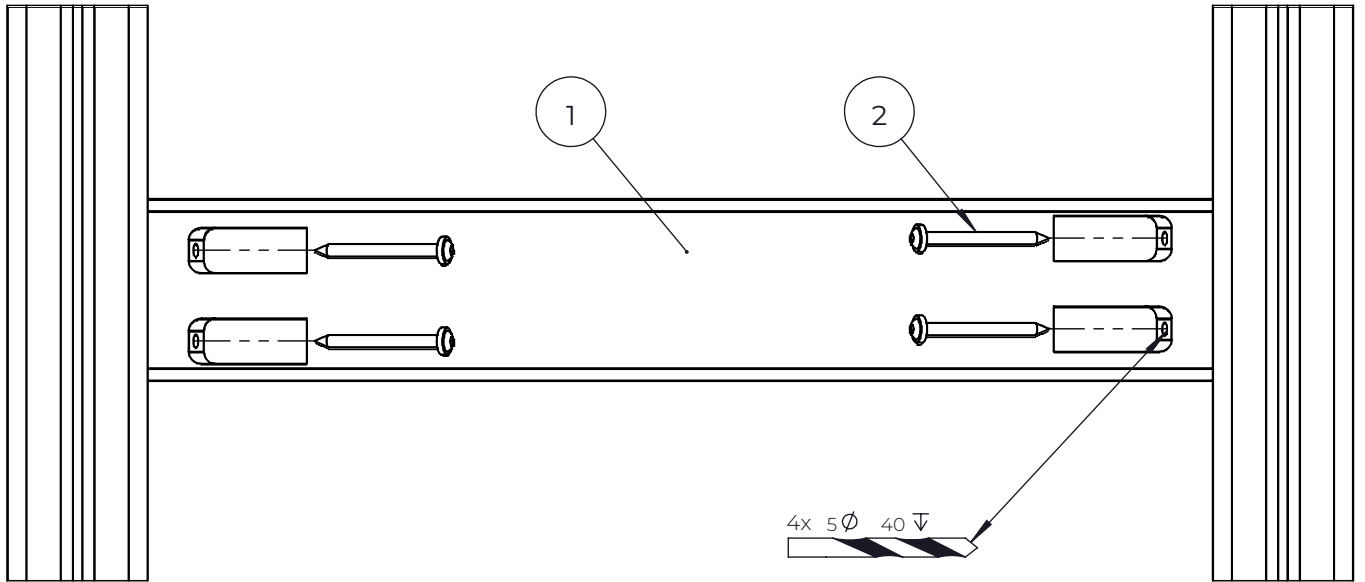
NO.	ITEM CODE			QTY.
1	914419	GRIP	40x119x490	1
2	909256	WASHER	Ø16/8.4x1.6	2
3	900240	SPECIAL SCREW	Ø8x70	2



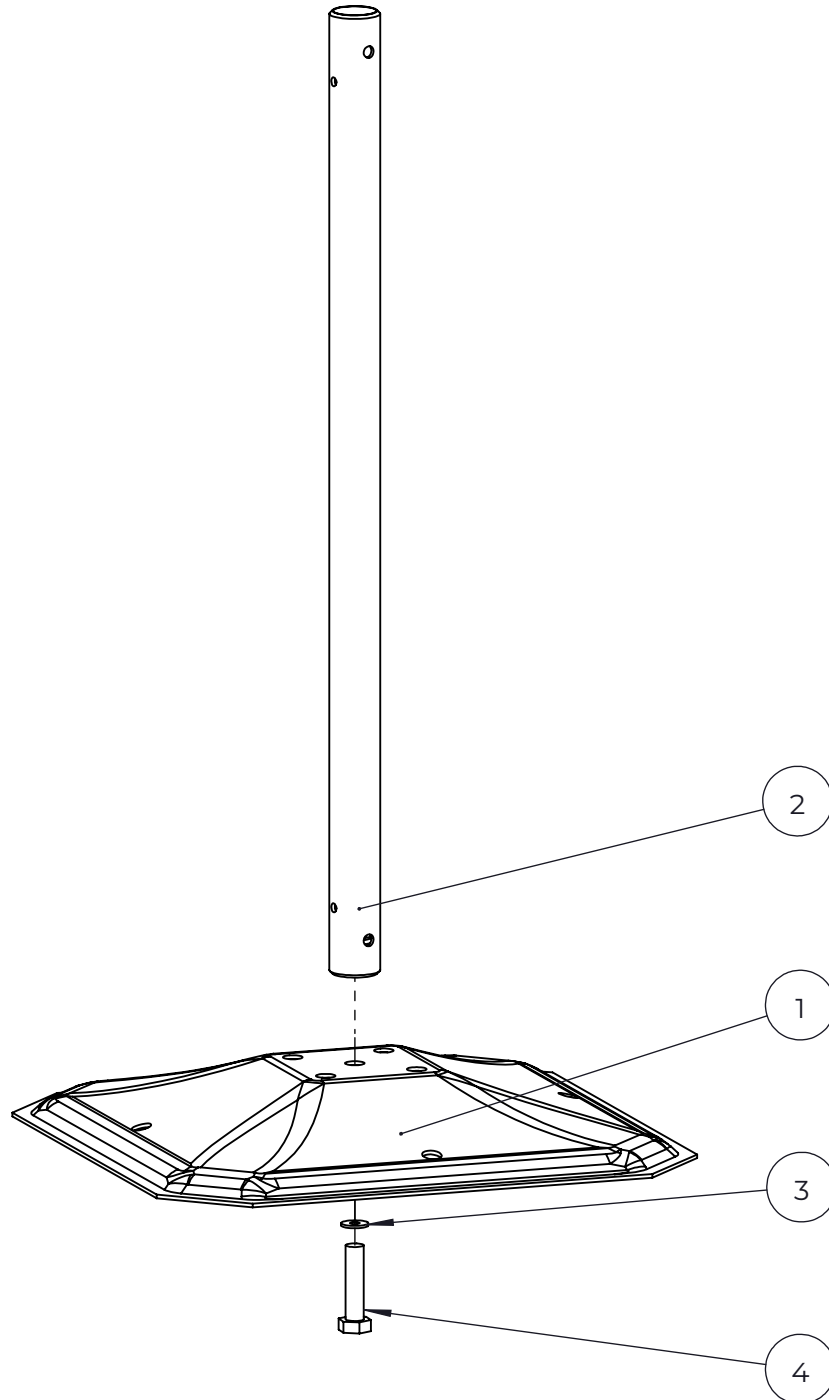
NO.	ITEM CODE			QTY.
1	712741	CLIMBING ELEMENT	+870	1
2	903093	SPECIAL SCREW	Ø8x90	4
3	909867	ALLEN SCREW	M8x70	2
4	909633	NUT	M8	2
5	980152	WASHER	Ø24/8.4x2	2



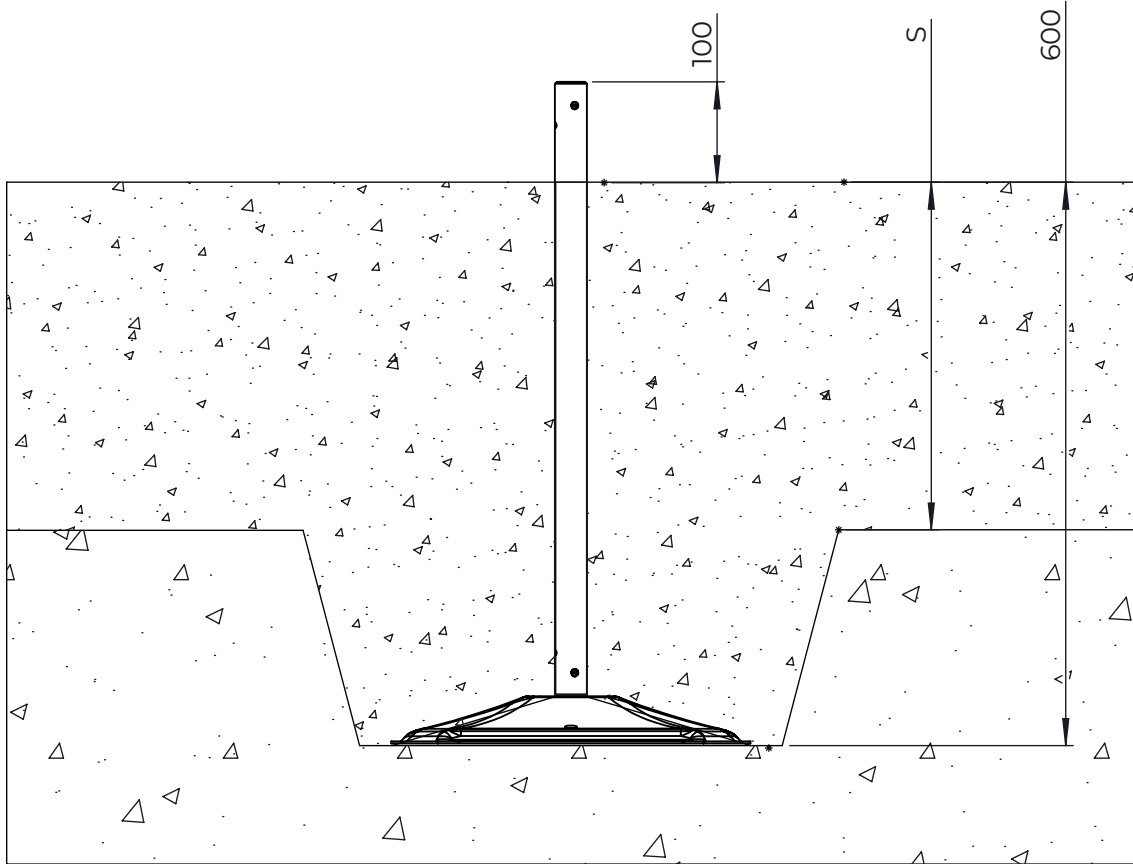
NO.	ITEM CODE			QTY.
1	712741	CLIMBING ELEMENT	+870	1
2	903093	SPECIAL SCREW	Ø8x90	4
3	909867	ALLEN SCREW	M8x70	2
4	909633	NUT	M8	2
5	980152	WASHER	Ø24/8.4x2	2

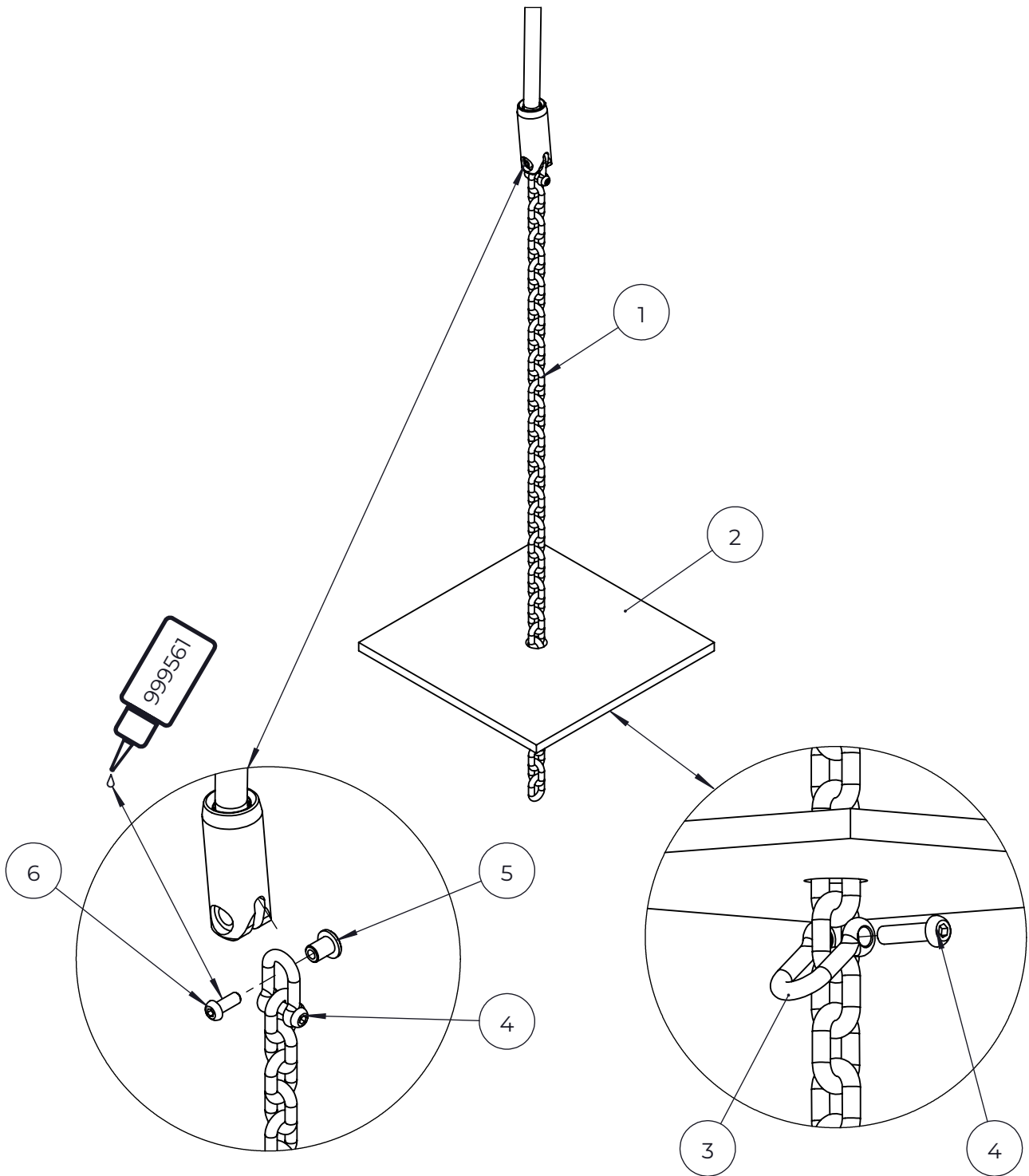


NO.	ITEM CODE			QTY.
1	712079	BOOM	45x120x715	1
2	903093	SPECIAL SCREW	Ø8x90	4

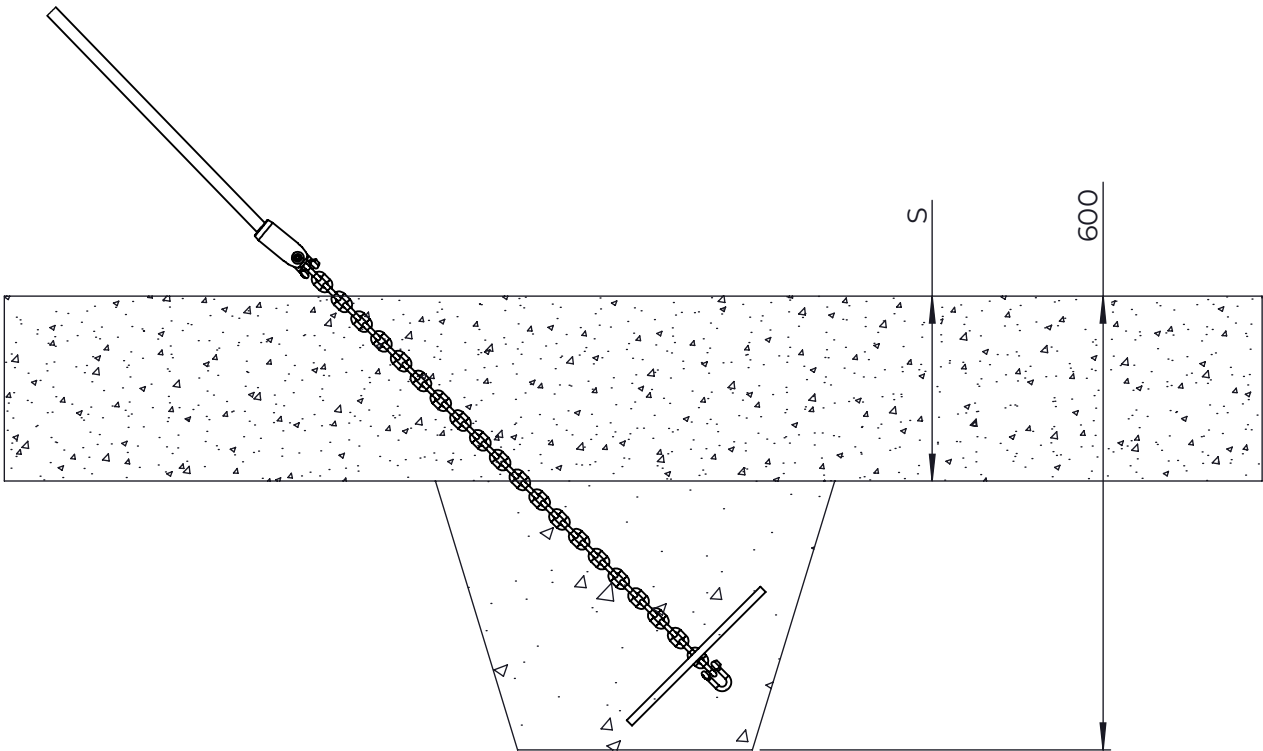
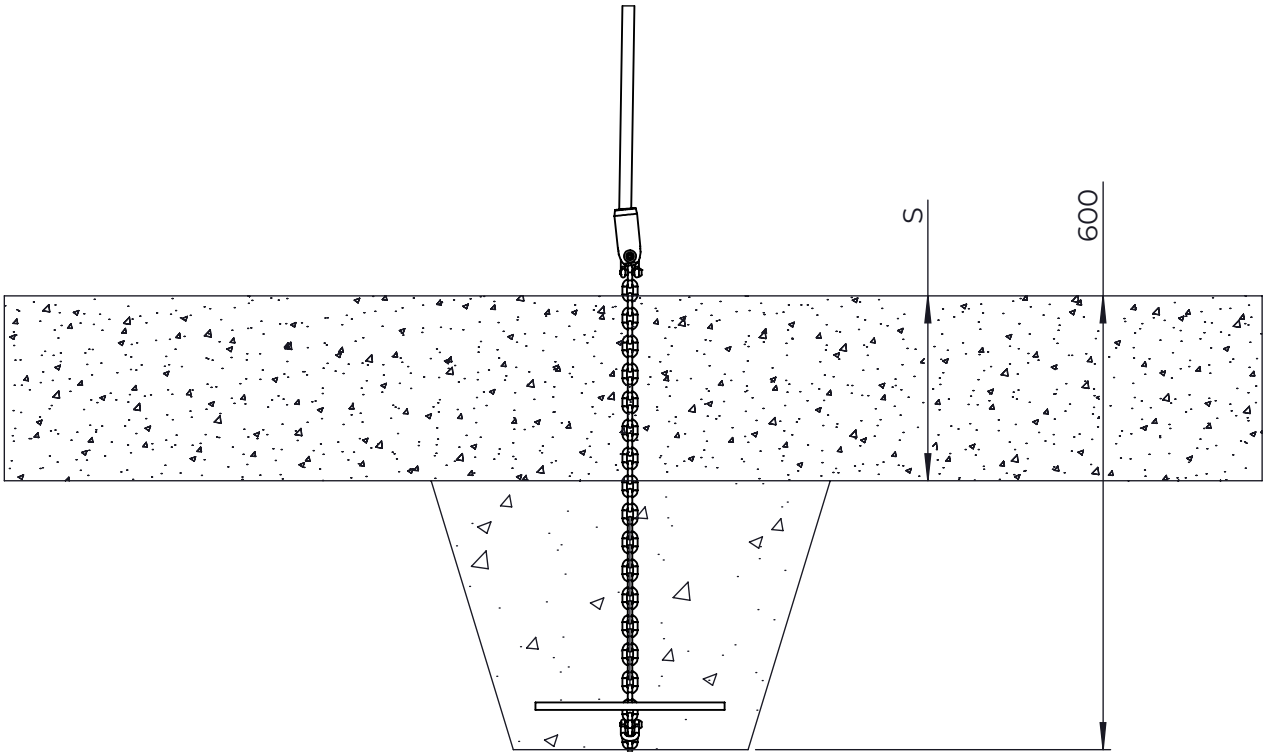


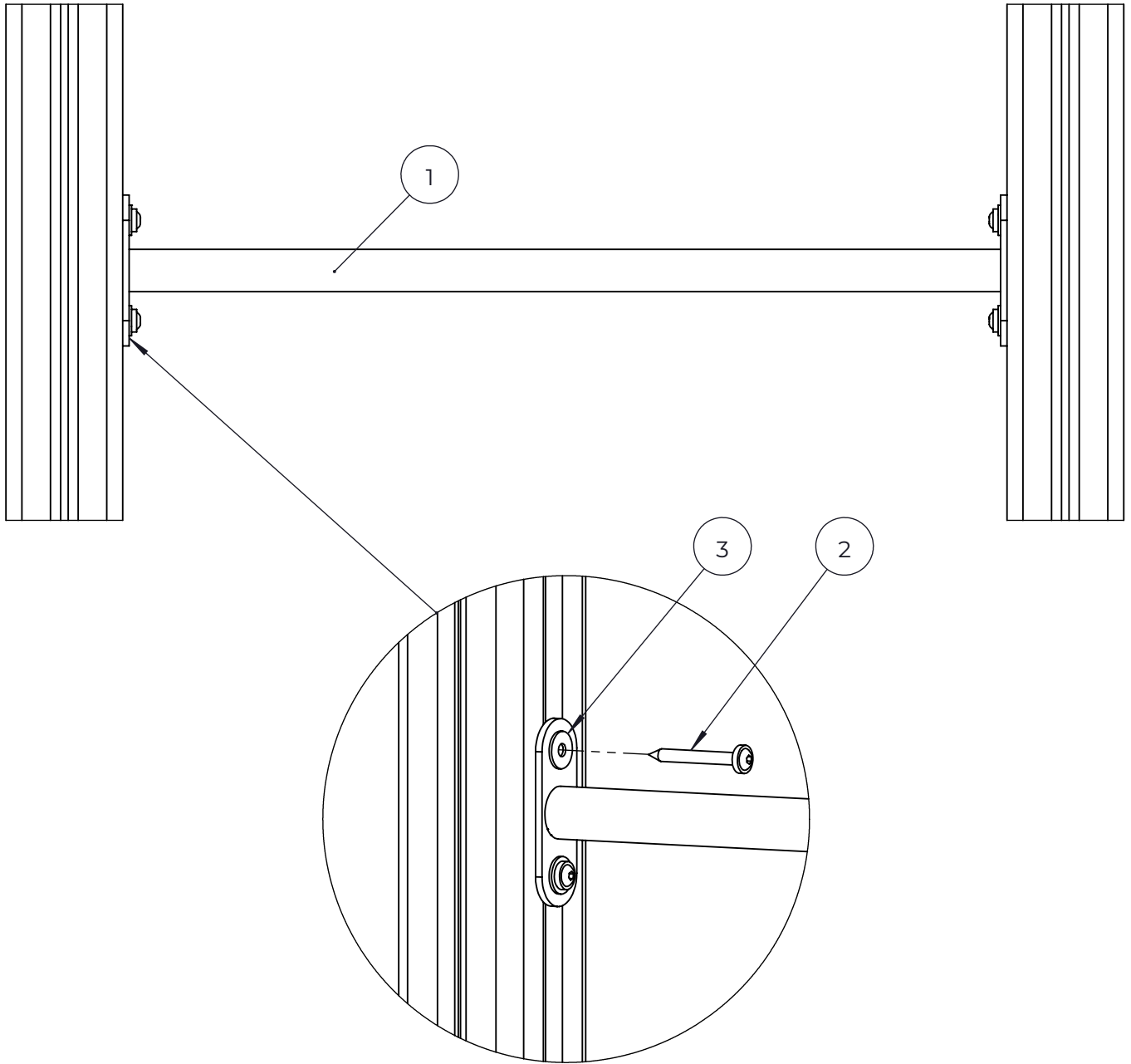
NO.	ITEM CODE			QTY.
1	909519	FOUNDATION PLATE	380 x 380 x 45	1
2	901916	FOUNDATION TUBE	Ø33.7x650	1
3	900350	WASHER	Ø18/6.4	1
4	909214	BOLT	M12x50	1



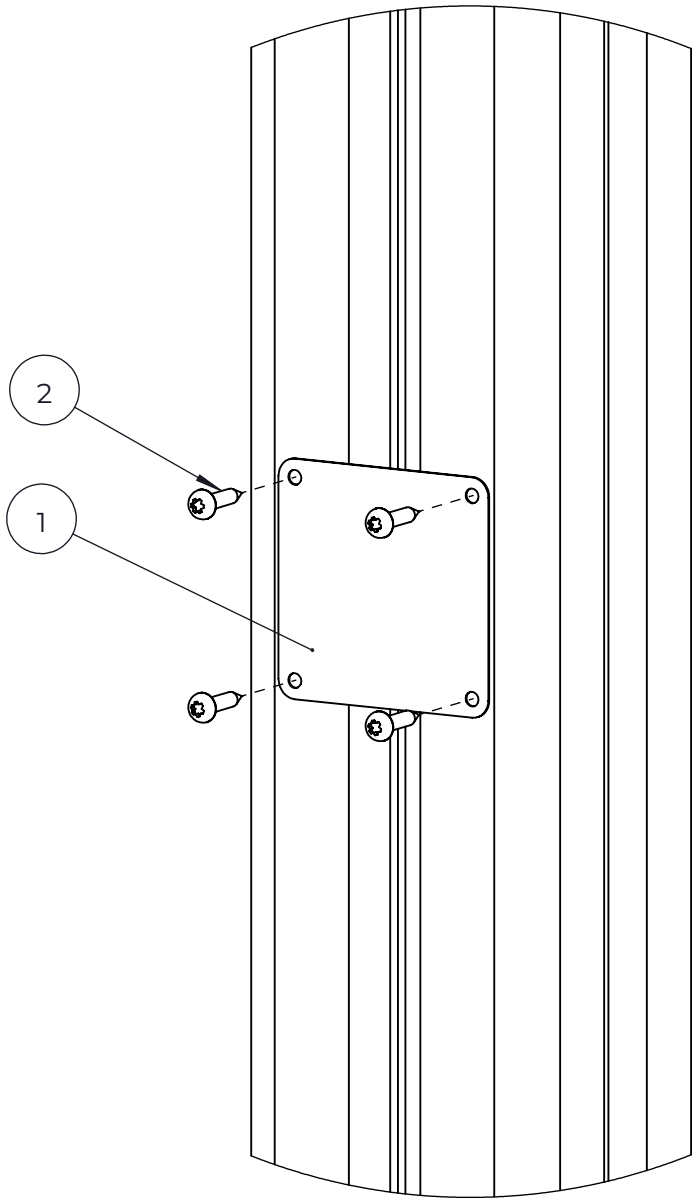


NO.	ITEM CODE			QTY.
1	914905	CHAIN		1
2	712587	PLATE	250x250x10	1
3	909636	SHACKEL	M6x38x24	2
4	906985	ALLEN SCREW	M6x25	2
5	900850	SPECIAL NUT	M6	1
6	909310	ALLEN SCREW	M6 x 16	1

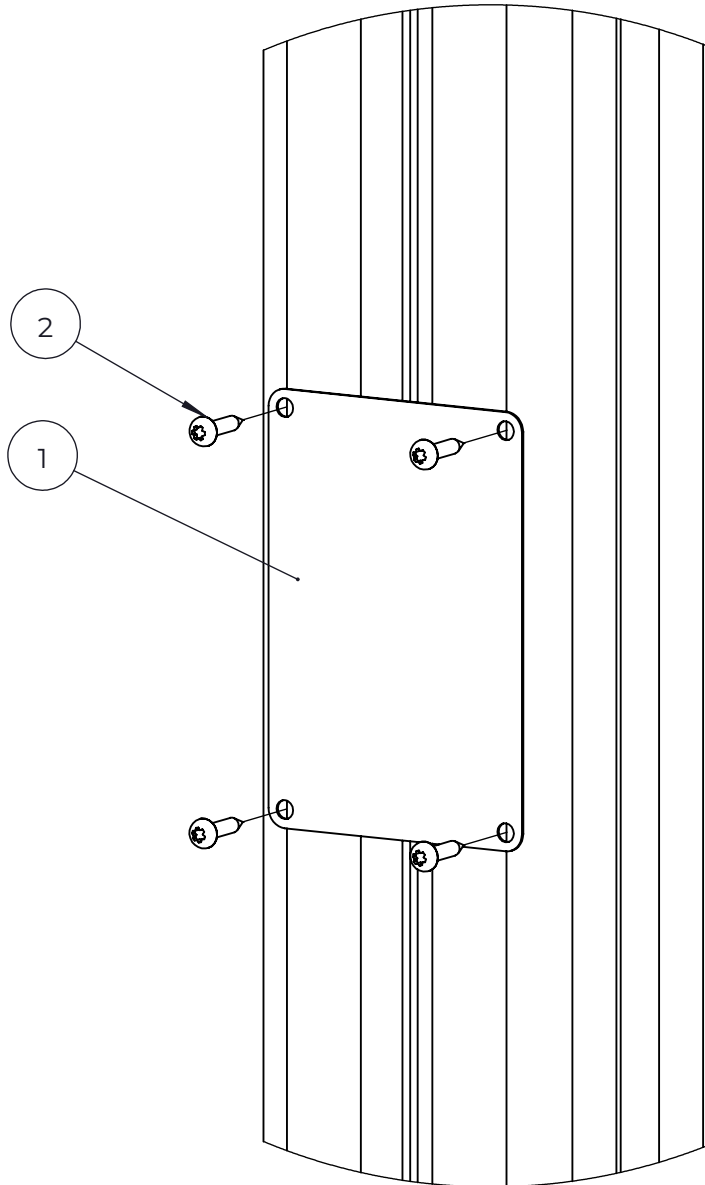




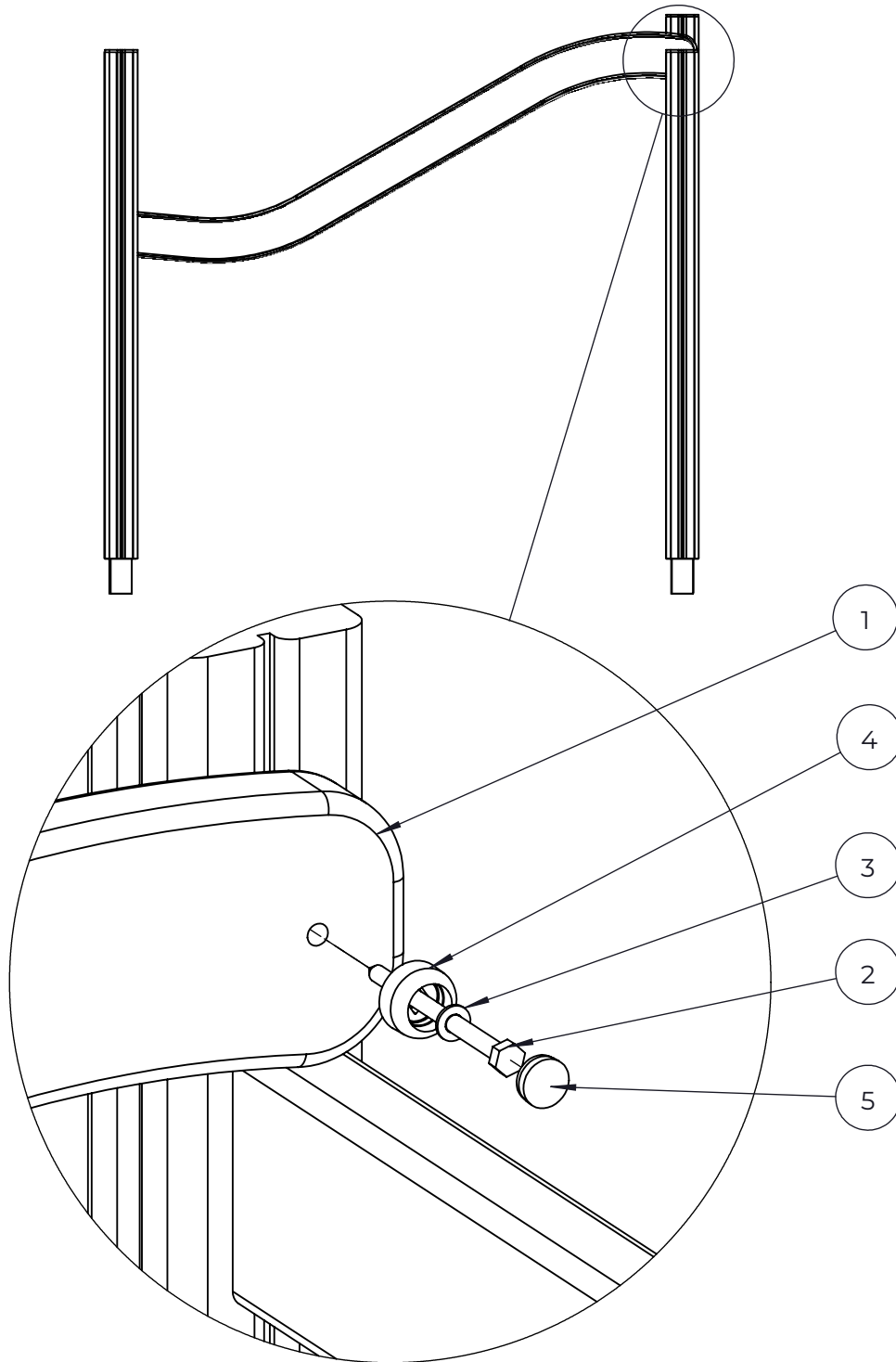
NO.	ITEM CODE			QTY.
1	914099	BAR ELEMENT	40x120x704	1
2	900240	SPECIAL SCREW	Ø8x70	4
3	980152	WASHER	Ø24/8.4x2	4



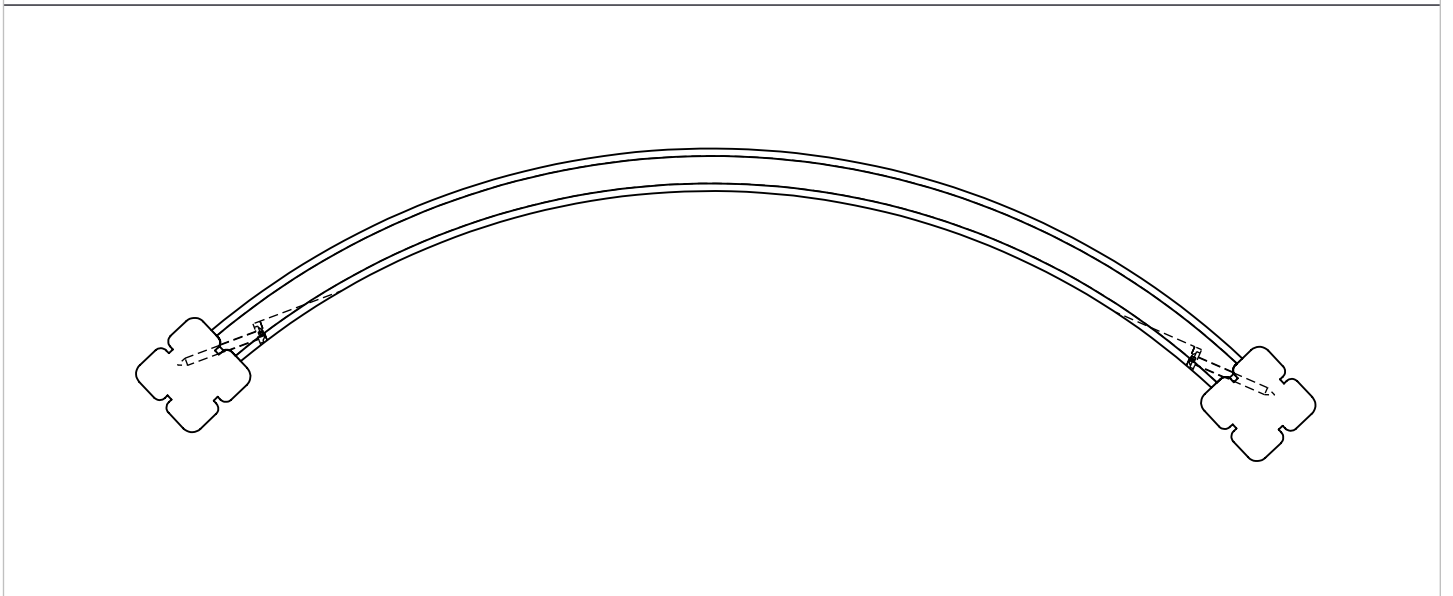
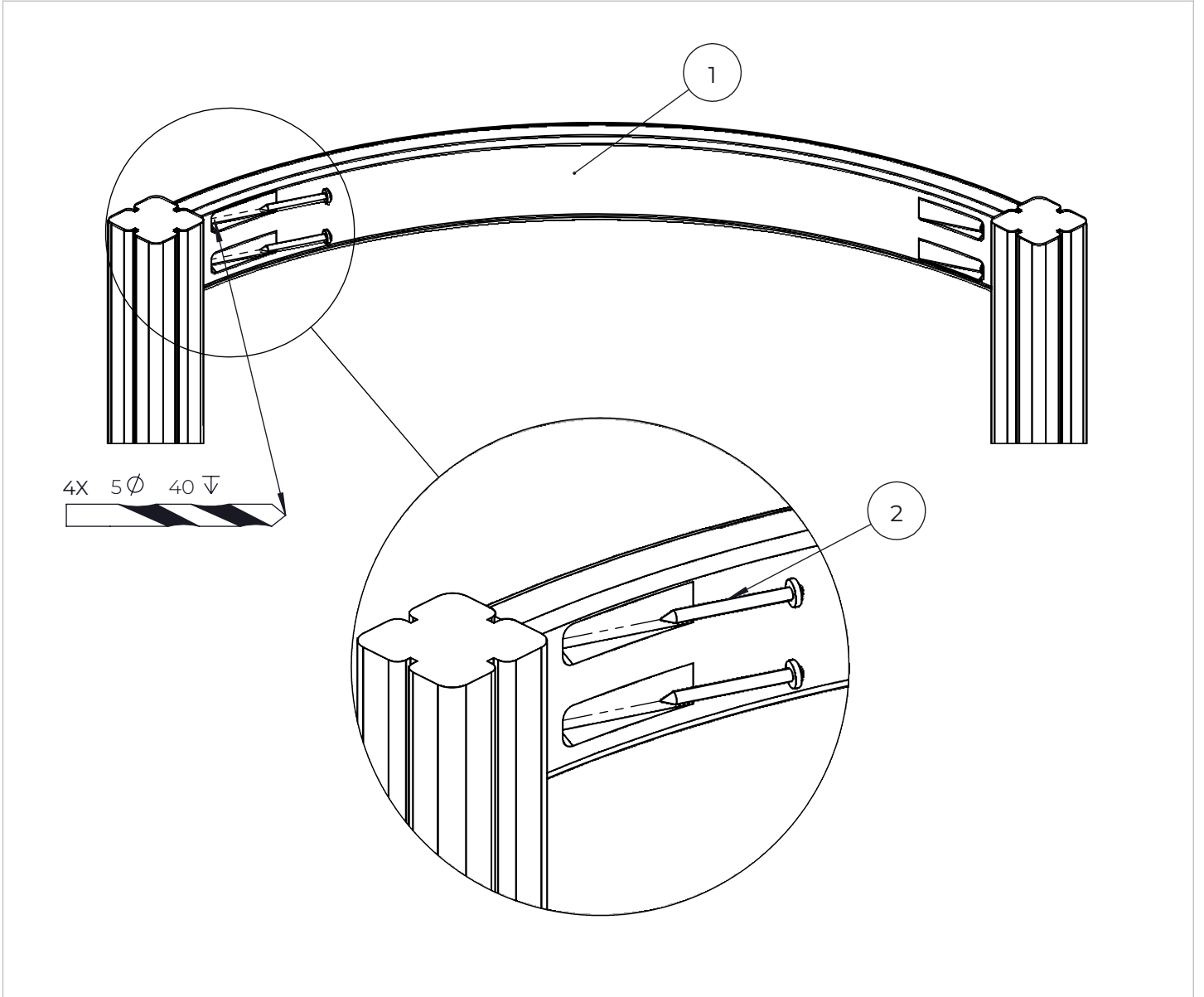
NO.	ITEM CODE			QTY.
1	702286	PRINTED LABEL	65x65	1
2	980114	SCREW	Ø4x20	4



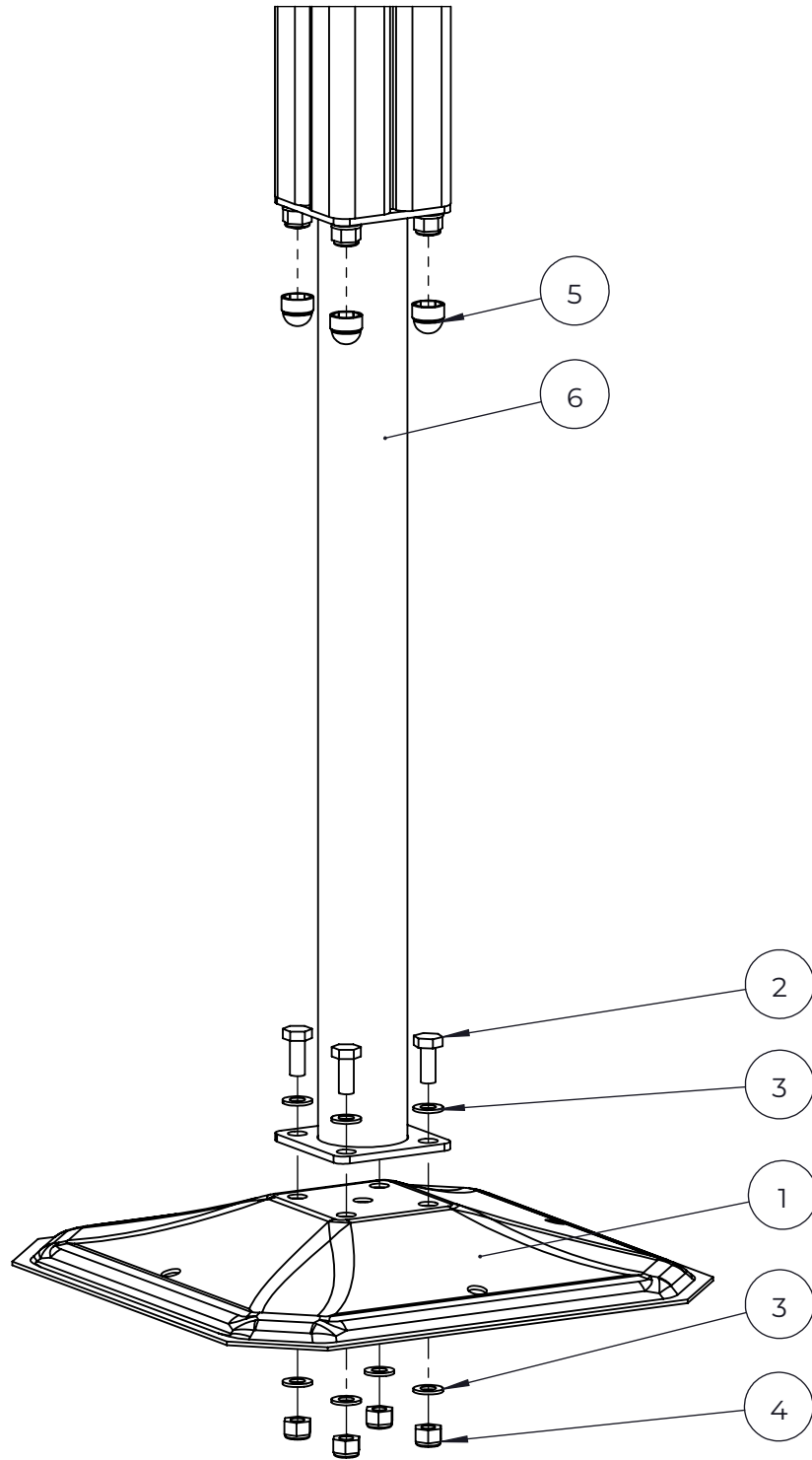
NO.	ITEM CODE			QTY.
1	702339	PRINTED LABEL	118x78	1
2	980114	SCREW	Ø4x20	4



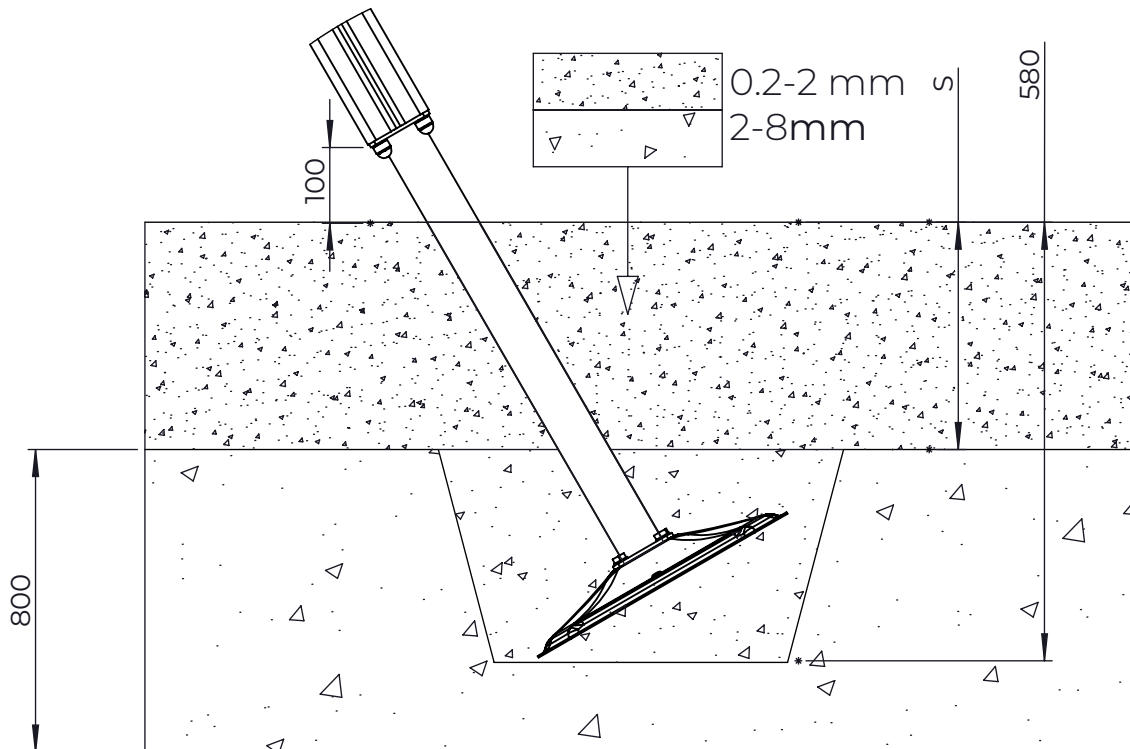
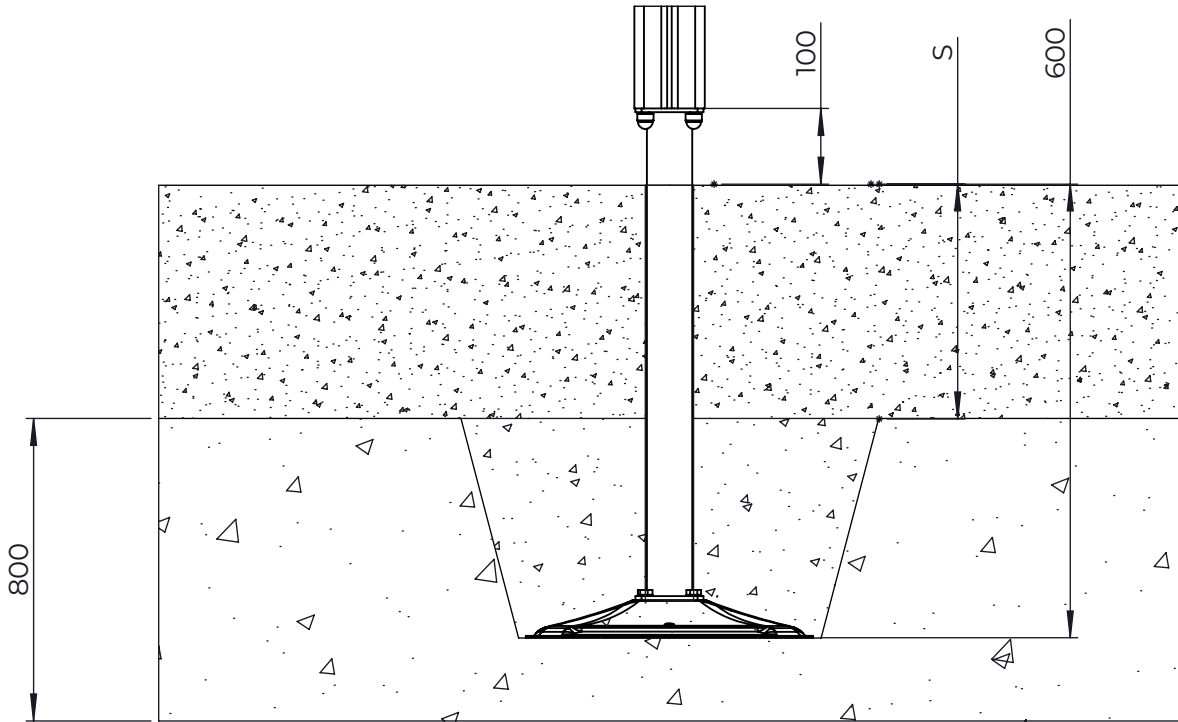
NO.	ITEM CODE			QTY.
1	707544-001	RAIL	43x124x1775	1
2	909232	SCREW	8x120	2
3	980151	WASHER	Ø16/8.4	2
4	905083	PLASTIC WASHER	Ø32	2
5	905112	PLASTIC CAP	Ø22	2

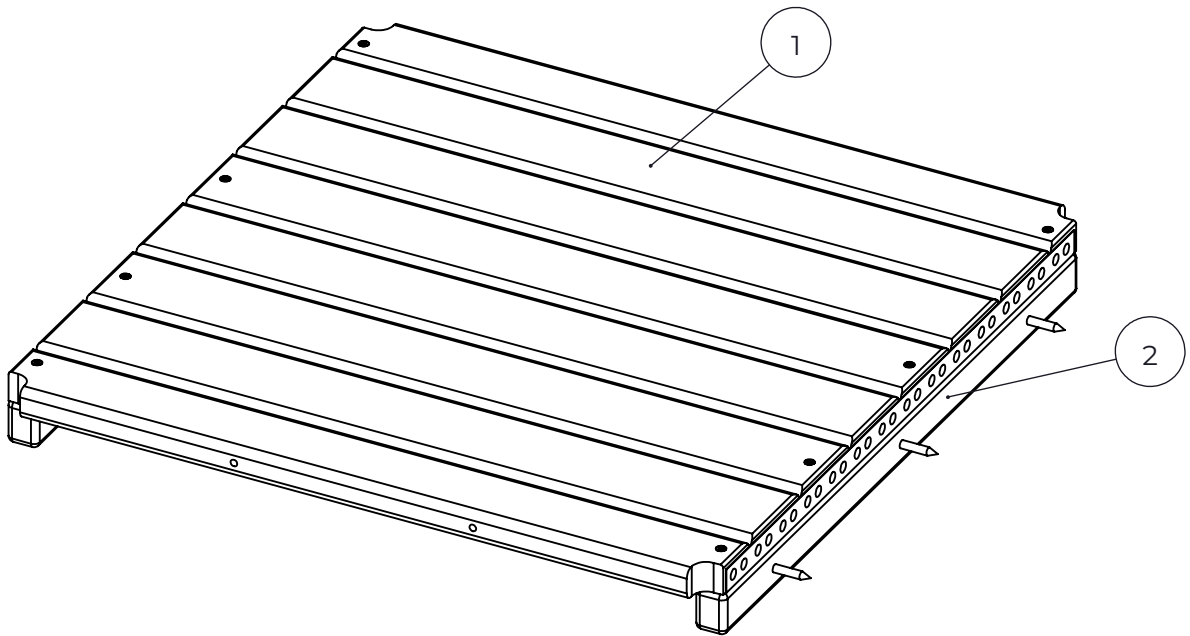


NO.	ITEM CODE			QTY.
1	711718	ARCH ELEMENT	45x120x1096	1
2	903093	SPECIAL SCREW	Ø8x90	4

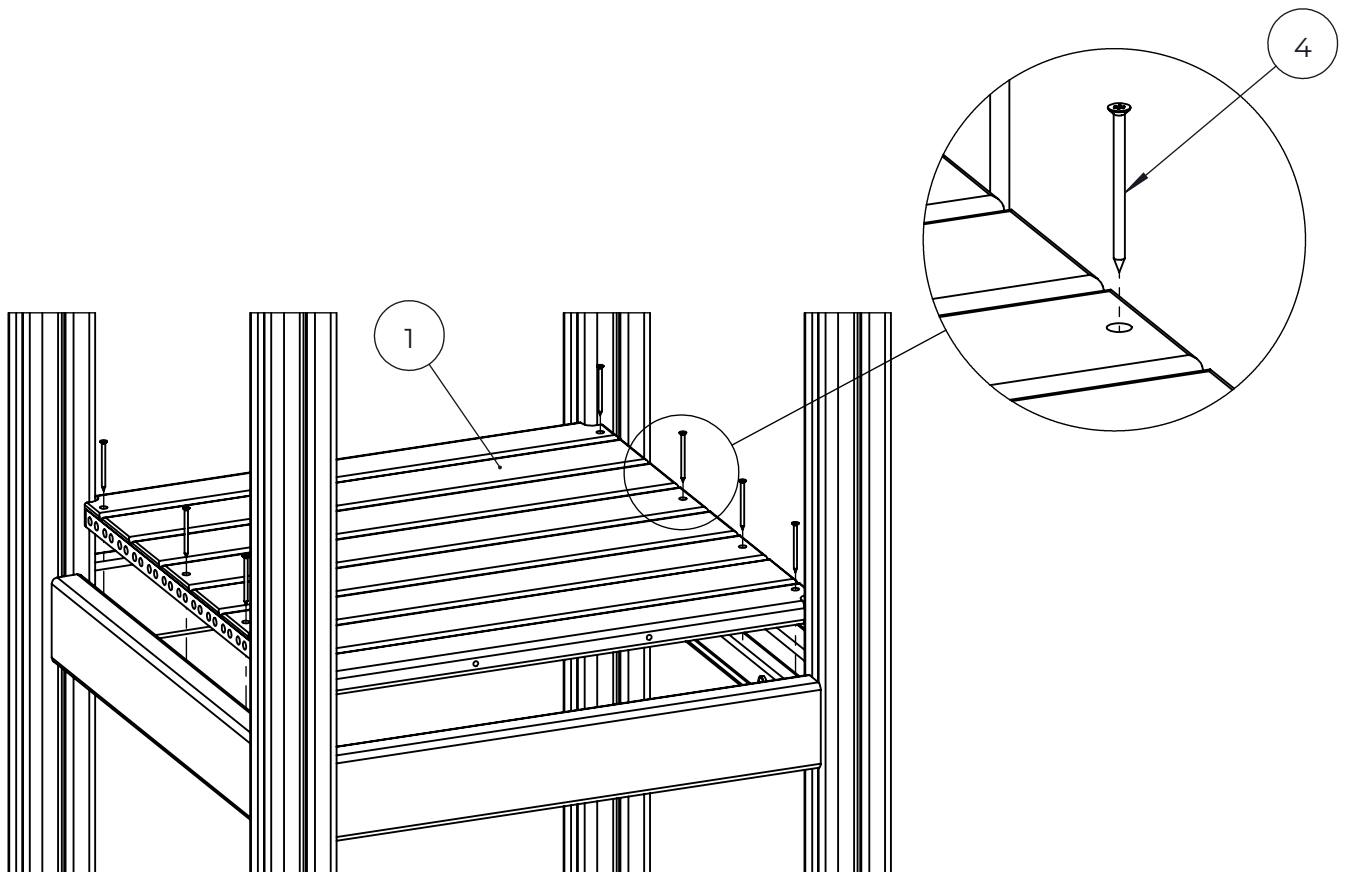
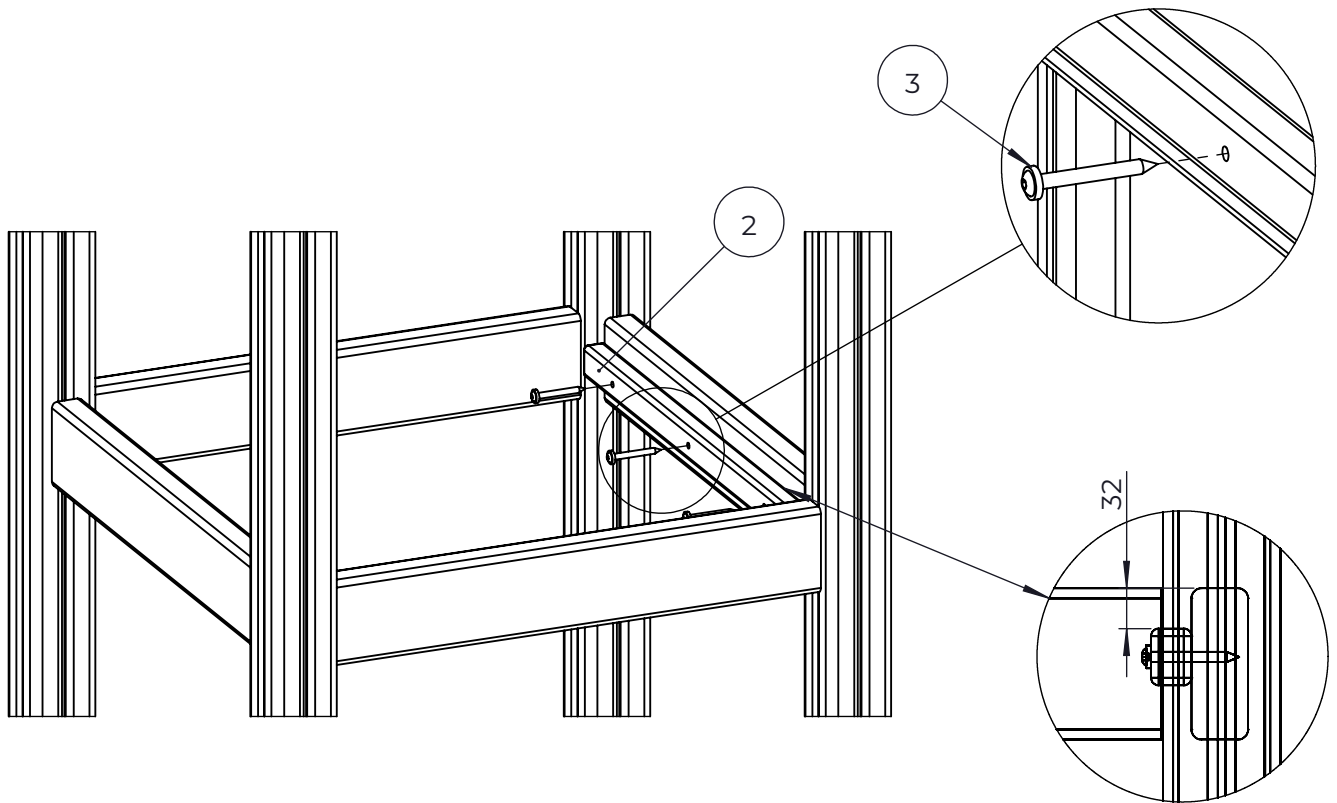


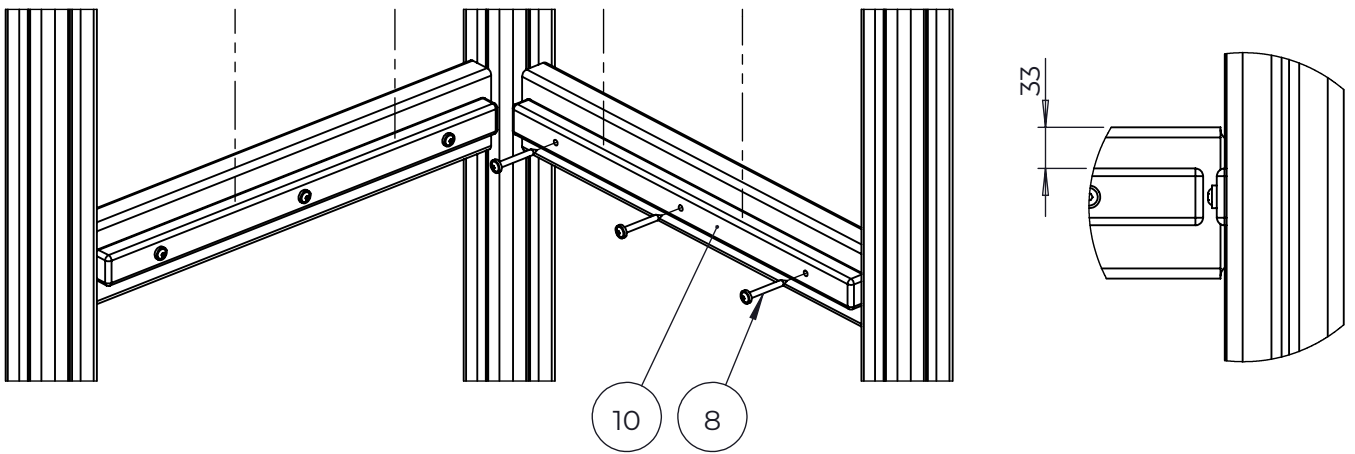
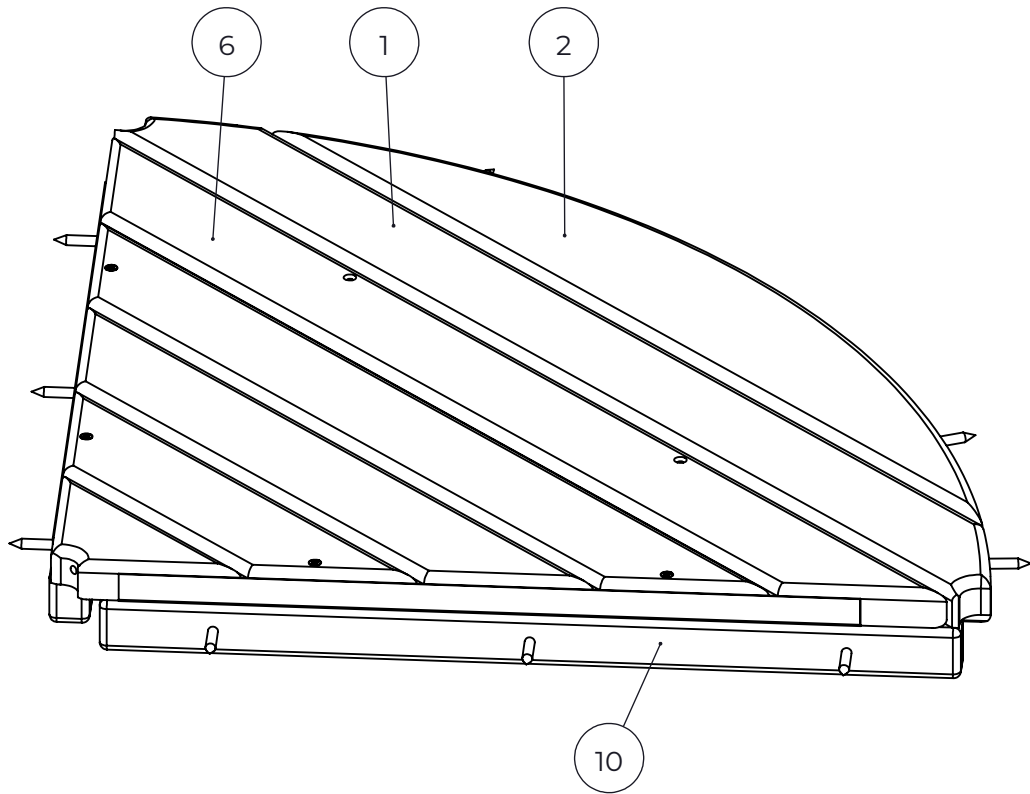
NO.	ITEM CODE			QTY.
1	909519	FOUNDATION PLATE	380 x 380 x 45	1
2	909639	BOLT	M10x25	4
3	909638	WASHER	Ø20 / 10.5	8
4	909637	NUT	M10	4
5	905104	OUTSIDE PLUG	M10	4
6	909511	FOUNDATION TUBE	90x90x650	1



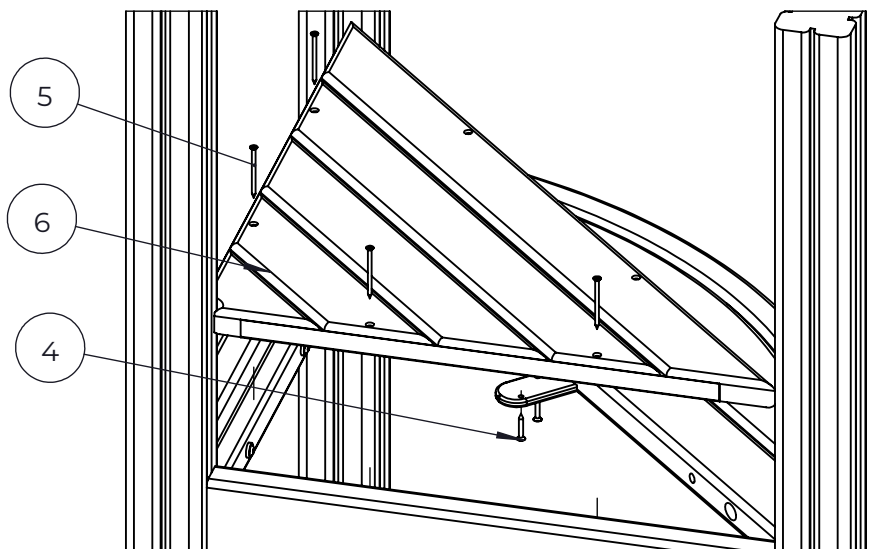
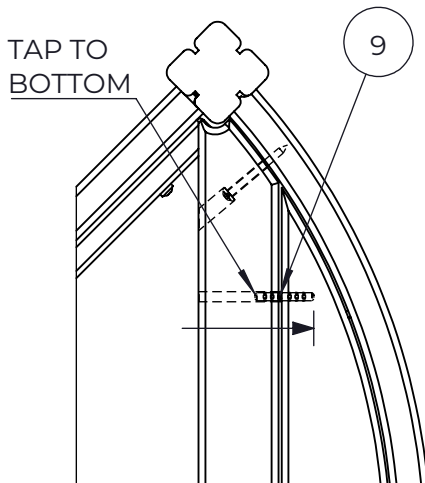
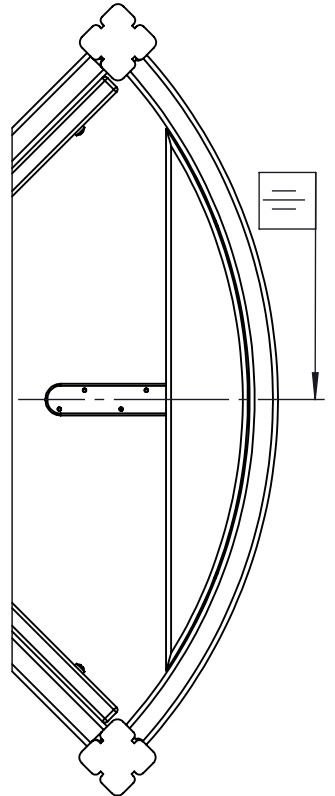
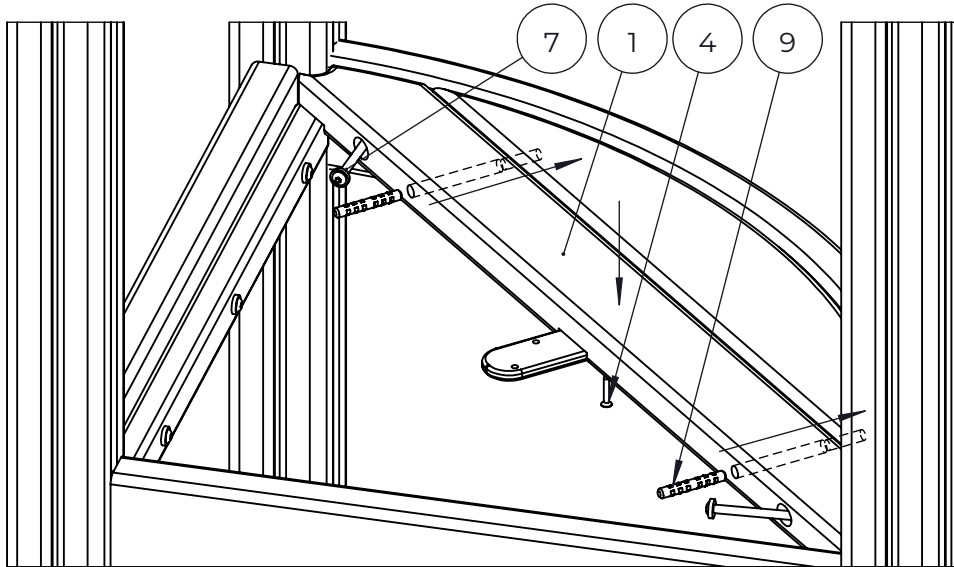
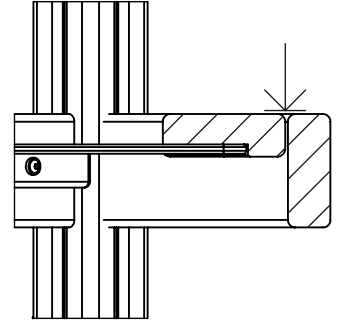
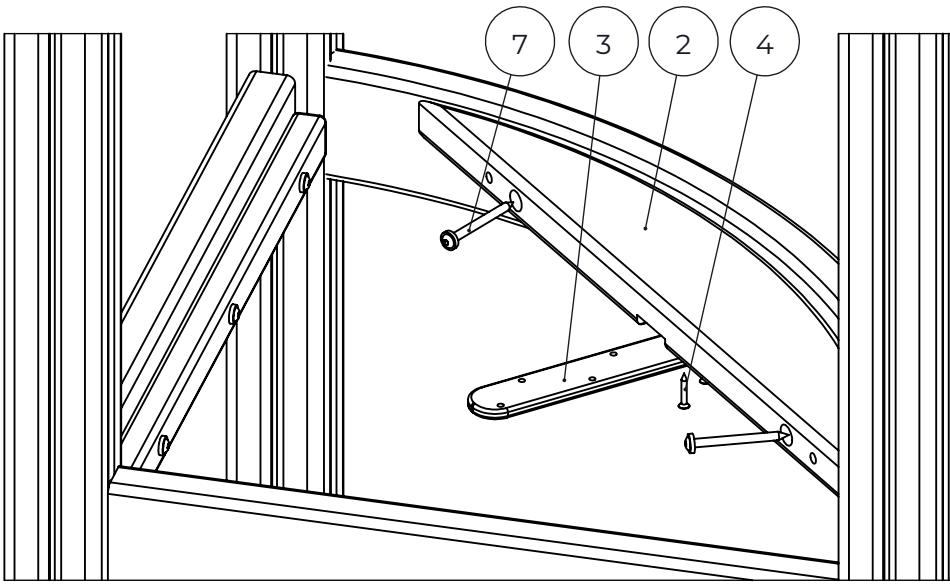


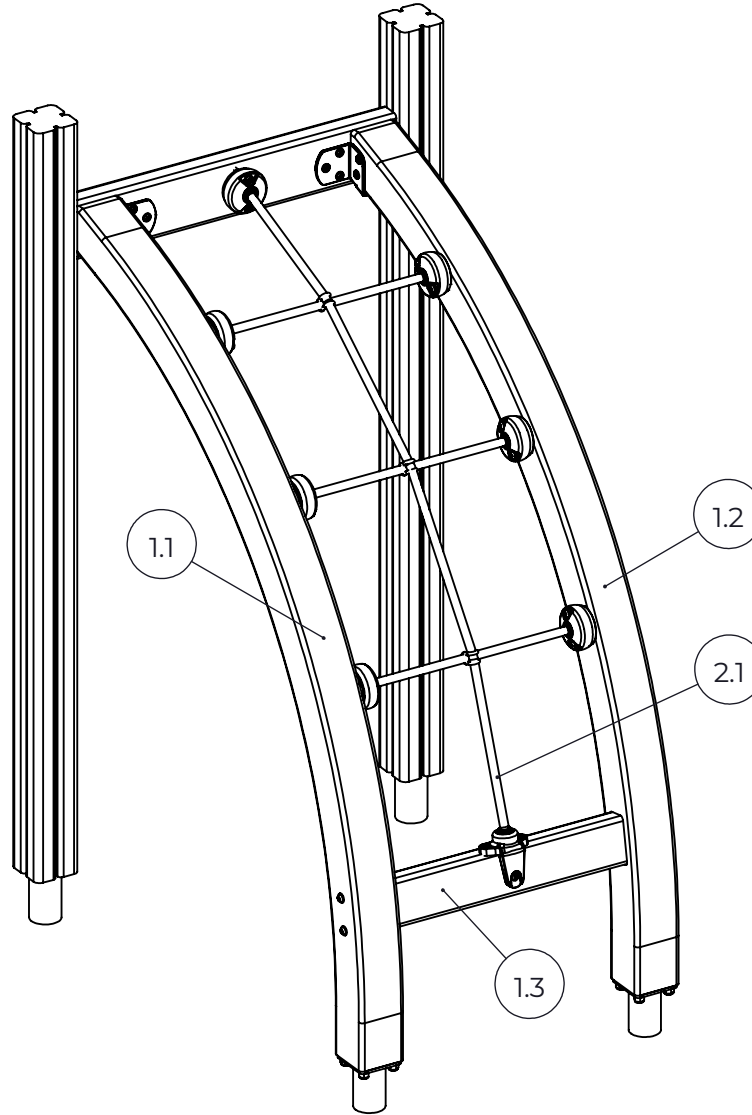
NO.	ITEM CODE			QTY.
1	712923	FLOOR ELEMENT	32x750x750	1
2	706443	STRIP	32x45x702	2
3	900240	SPECIAL SCREW	Ø8x70	6
4	980101	SCREW	Ø4.5x70	8



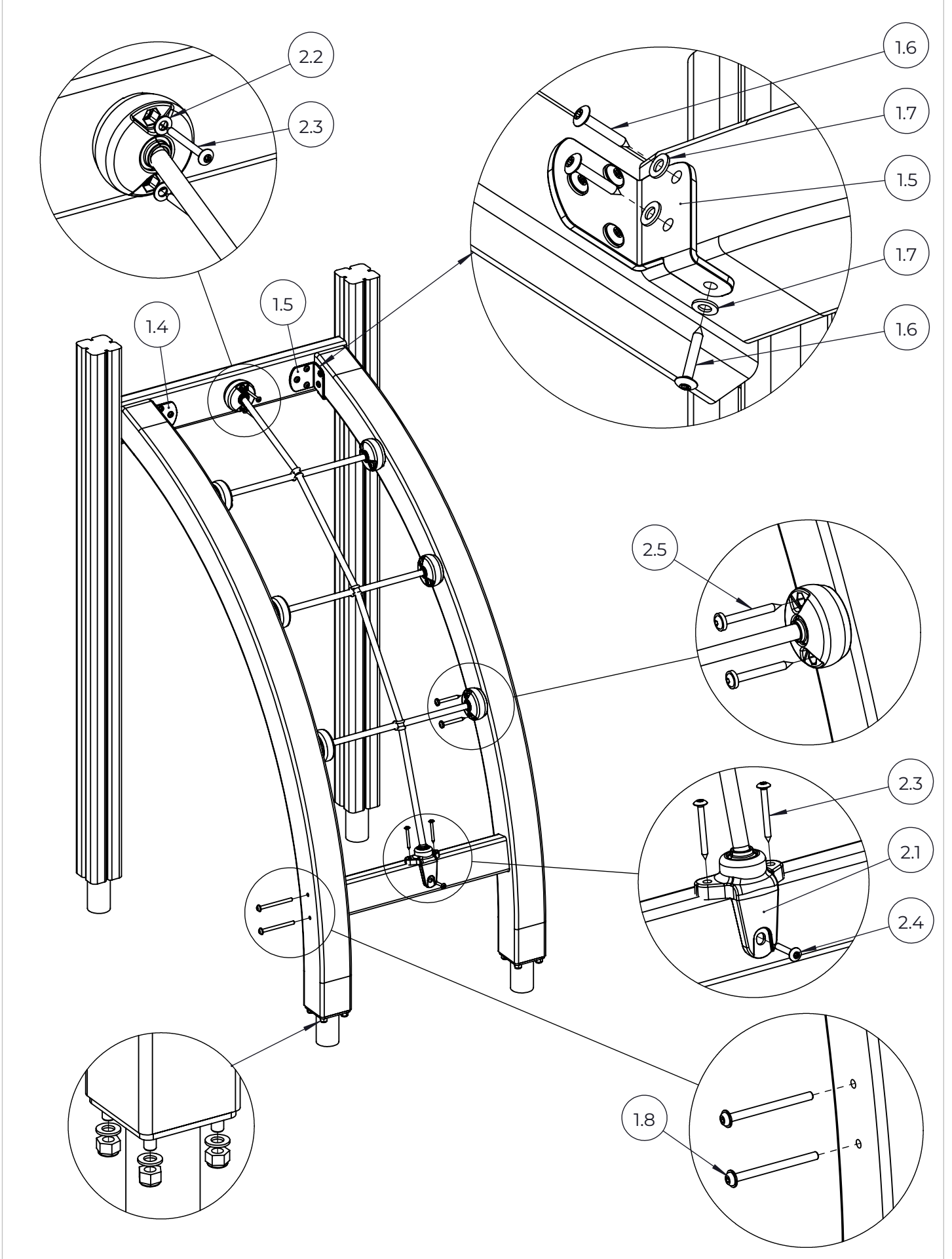


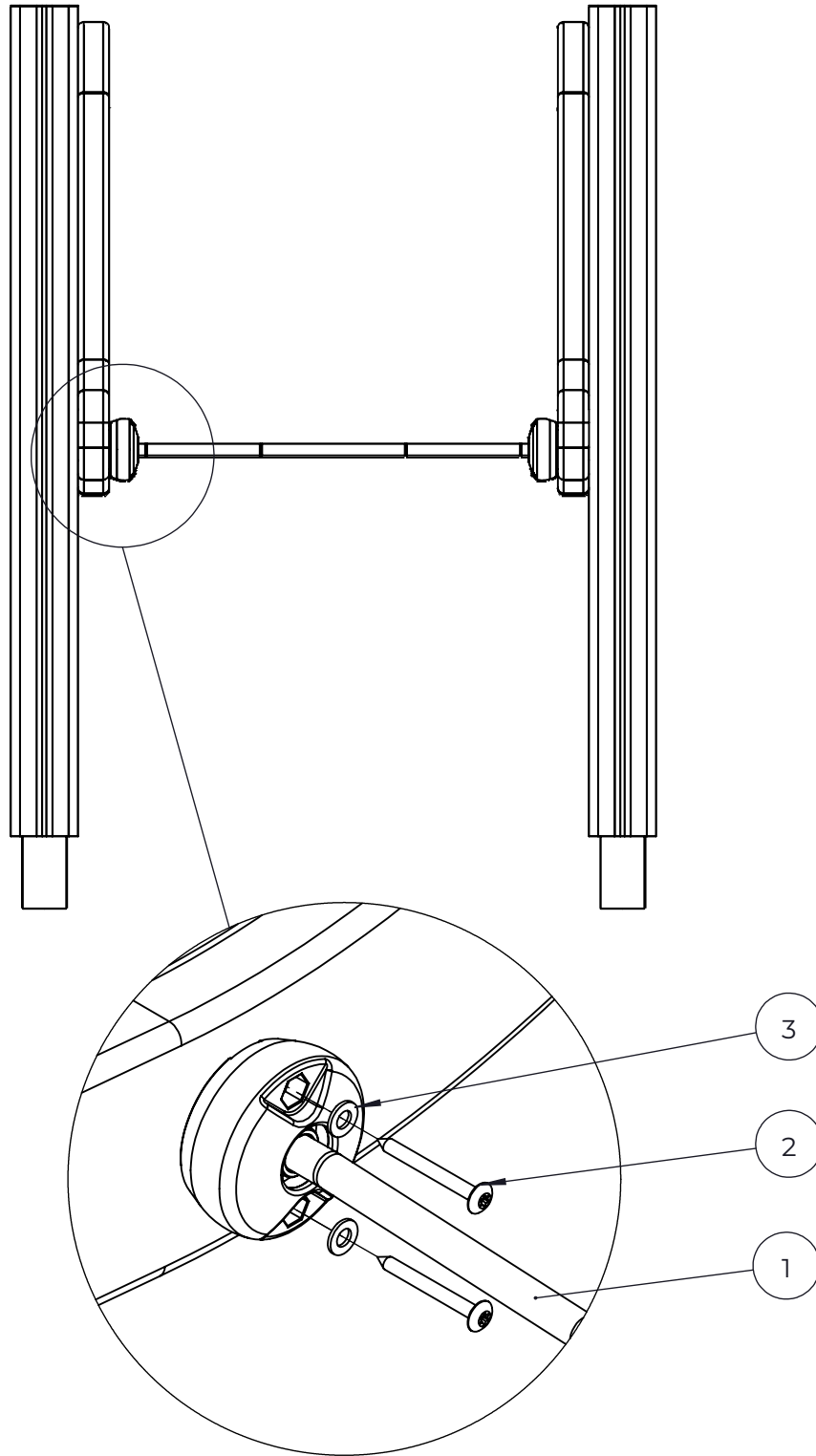
NO.	ITEM CODE			QTY.
1	710453	PLANK	45x95x1023	1
2	710405	PLANK	45x133x870	1
3	710466	PLATE	10x50x280	1
4	980129	SCREW	Ø5x35	6
5	980101	COUNTERSUNK SCREW	Ø4,5 x 70	4
6	712956	FLOOR ELEMENT	32x714x714	1
7	903093	SPECIAL SCREW	Ø8x90	4
8	900240	SPECIAL SCREW	Ø8x70	6
9	909567	PIN	Ø10 X 75	2
10	709709	STRIP	32x45x685	2



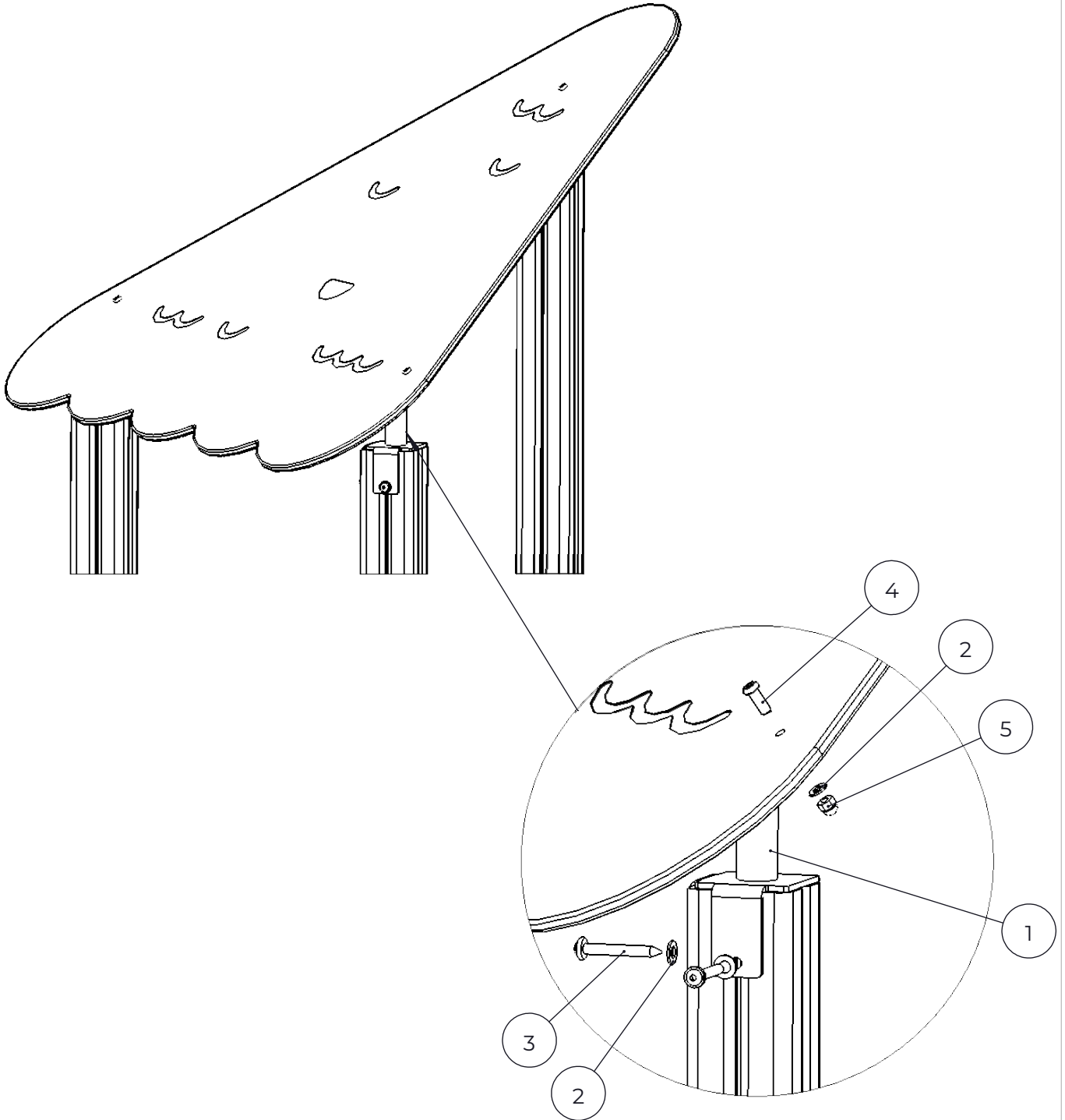


NO.	ITEM CODE			QTY.
1	712995	FRAME	CURVED NET CLIMB	1
1.1	701103	ARCH	95x1005x1365	1
1.2	701104	ARCH	95x1005x1365	1
1.3	701664	BOOM	45x95x555	1
1.4	914931	ATTACHMENT FLANGE	5x	1
1.5	914930	ATTACHMENT FLANGE	5x	1
1.6	980128	SPECIAL SCREW	Ø7x40	12
1.7	909256	WASHER	Ø16/8.4x1.6	12
1.8	909117	KUUSIOKOLORUUVI	M8x100	4
2	712994	CLIMBING ELEMENT	CURVED NET	1
2.1	706873	NET	1455x505	1
2.2	909256	WASHER	Ø16/8.4x1.6	2
2.3	980123	SPECIAL SCREW	Ø7x60	4
2.4	980128	SPECIAL SCREW	Ø7x40	1
2.5	900240	SPECIAL SCREW	Ø8x70	12

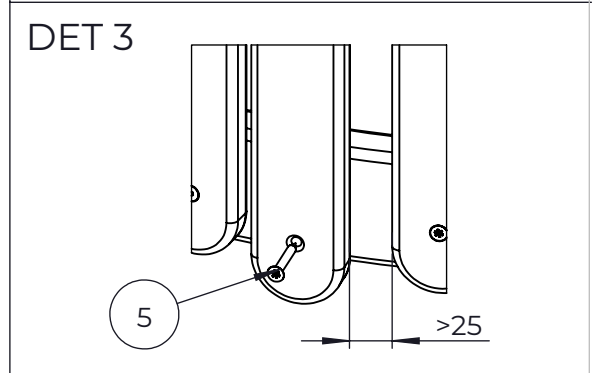
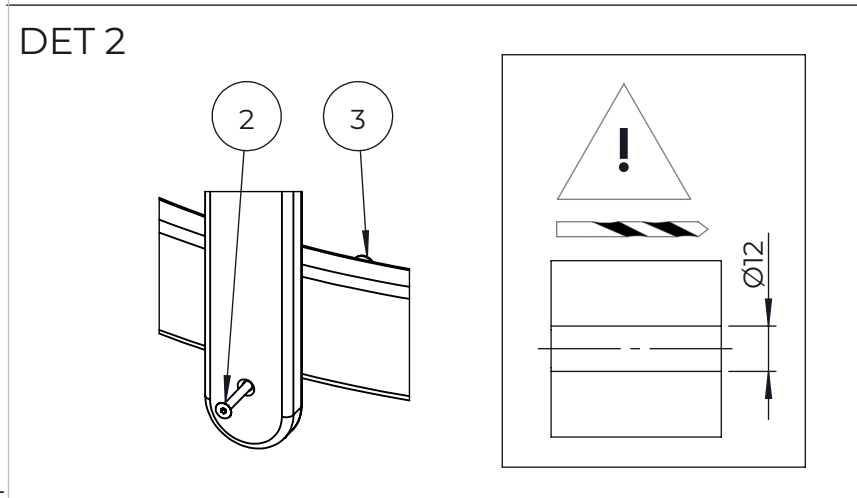
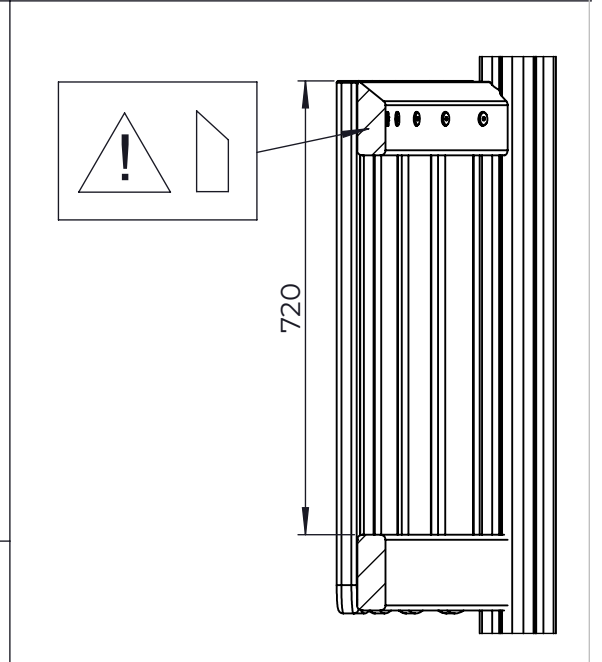
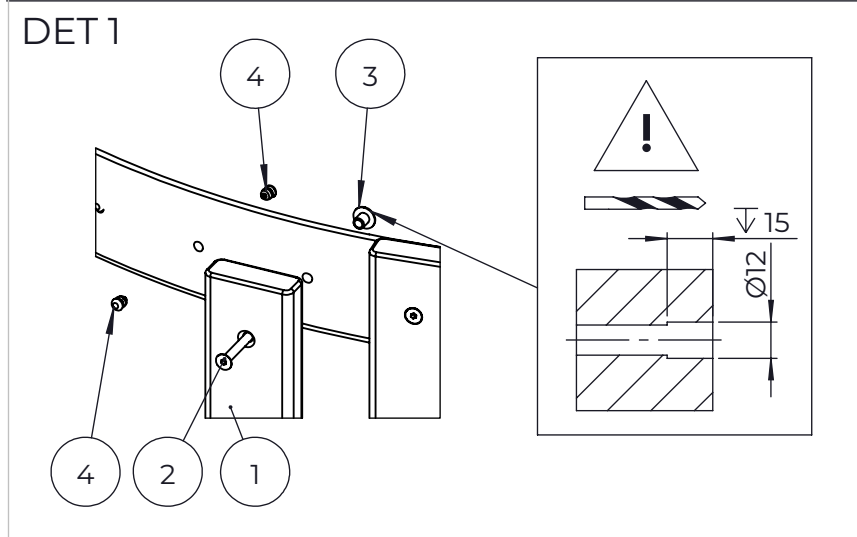
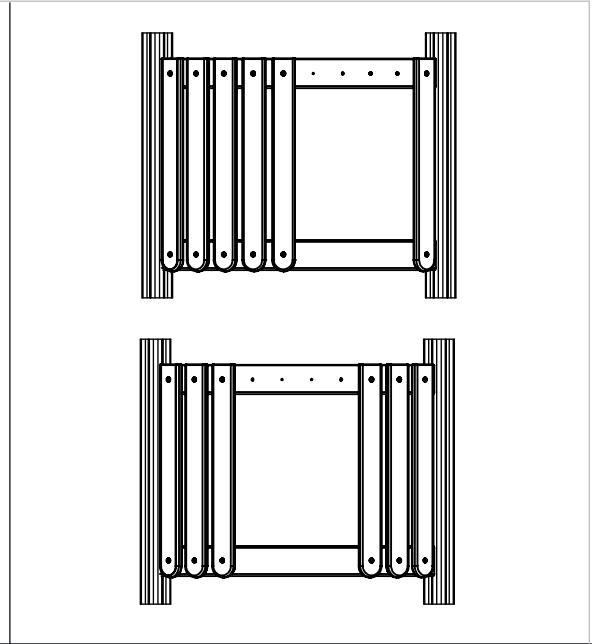
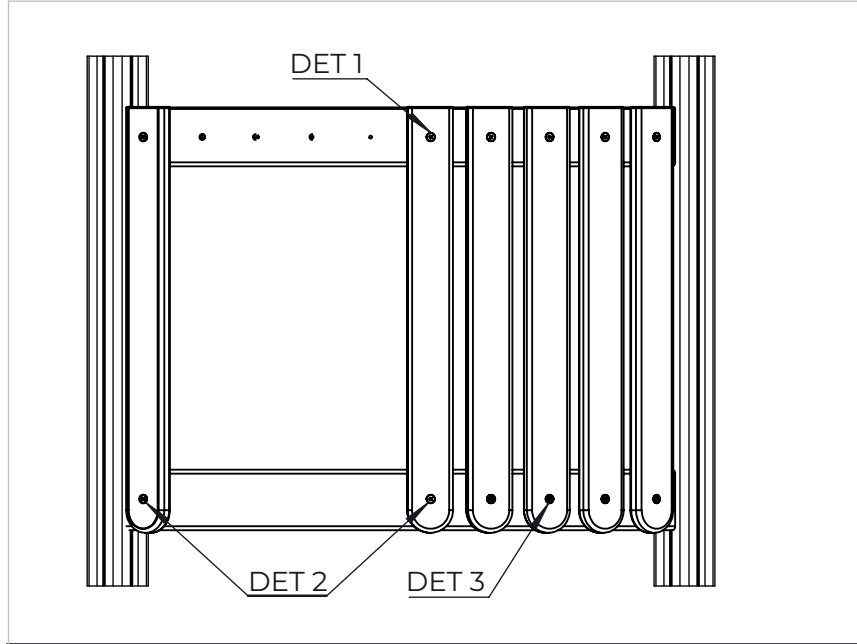




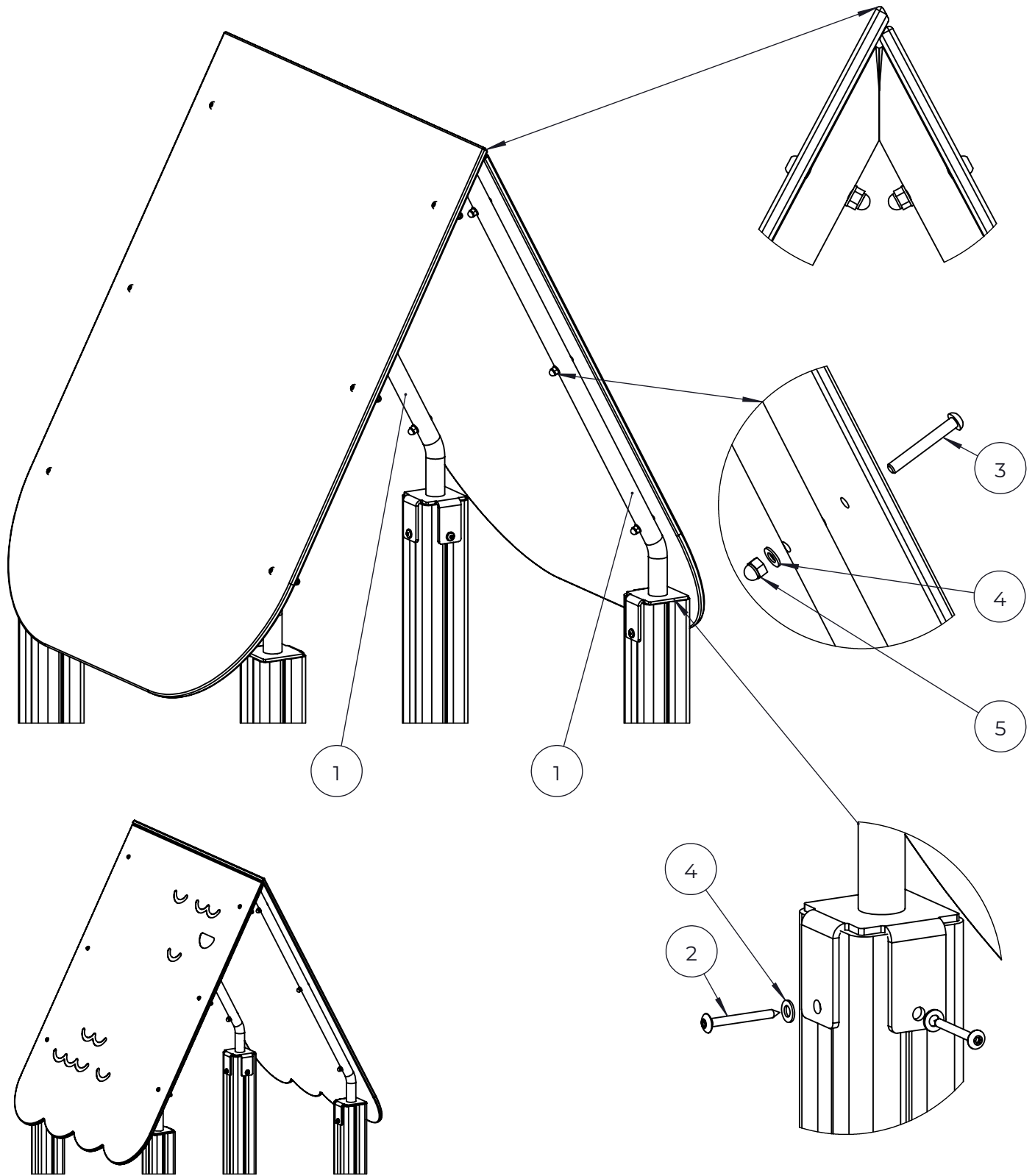
NO.	ITEM CODE			QTY.
1	706710	SAFETY ROPE	Ø16x618	1
2	980123	SPECIAL SCREW	Ø7x60	4
3	909256	WASHER	Ø16/8.4x1.6	4



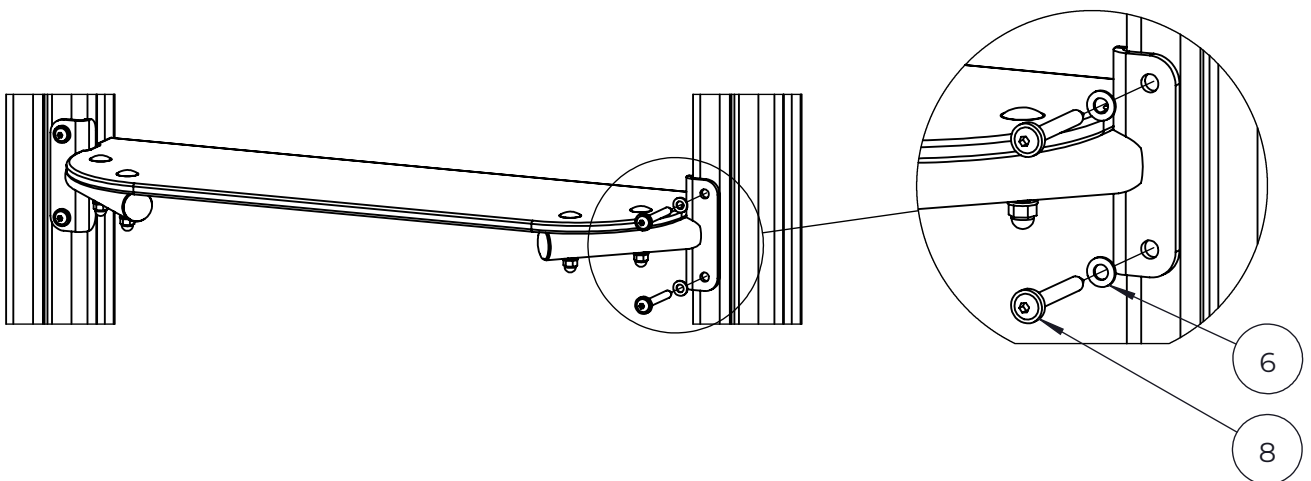
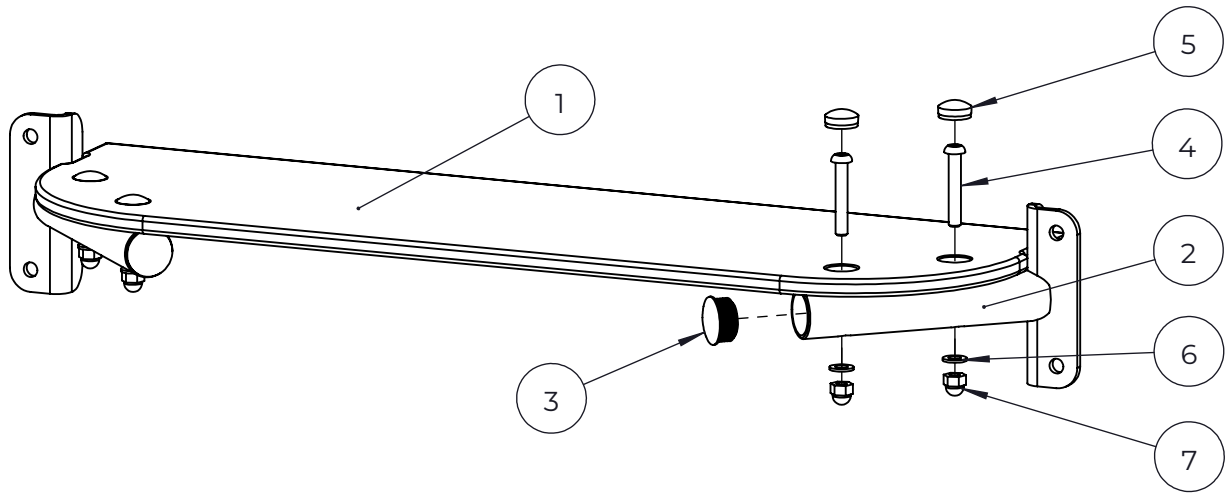
NO.	ITEM CODE			QTY.
1	915527	ATTACHMENT PIECE	95x95x204	3
2	909256	WASHER	Ø16/8.4x1.6	9
3	900240	SPECIAL SCREW	Ø8x70	6
4	909850	ALLEN SCREW	M8x25	3
5	909633	NUT	M8	3



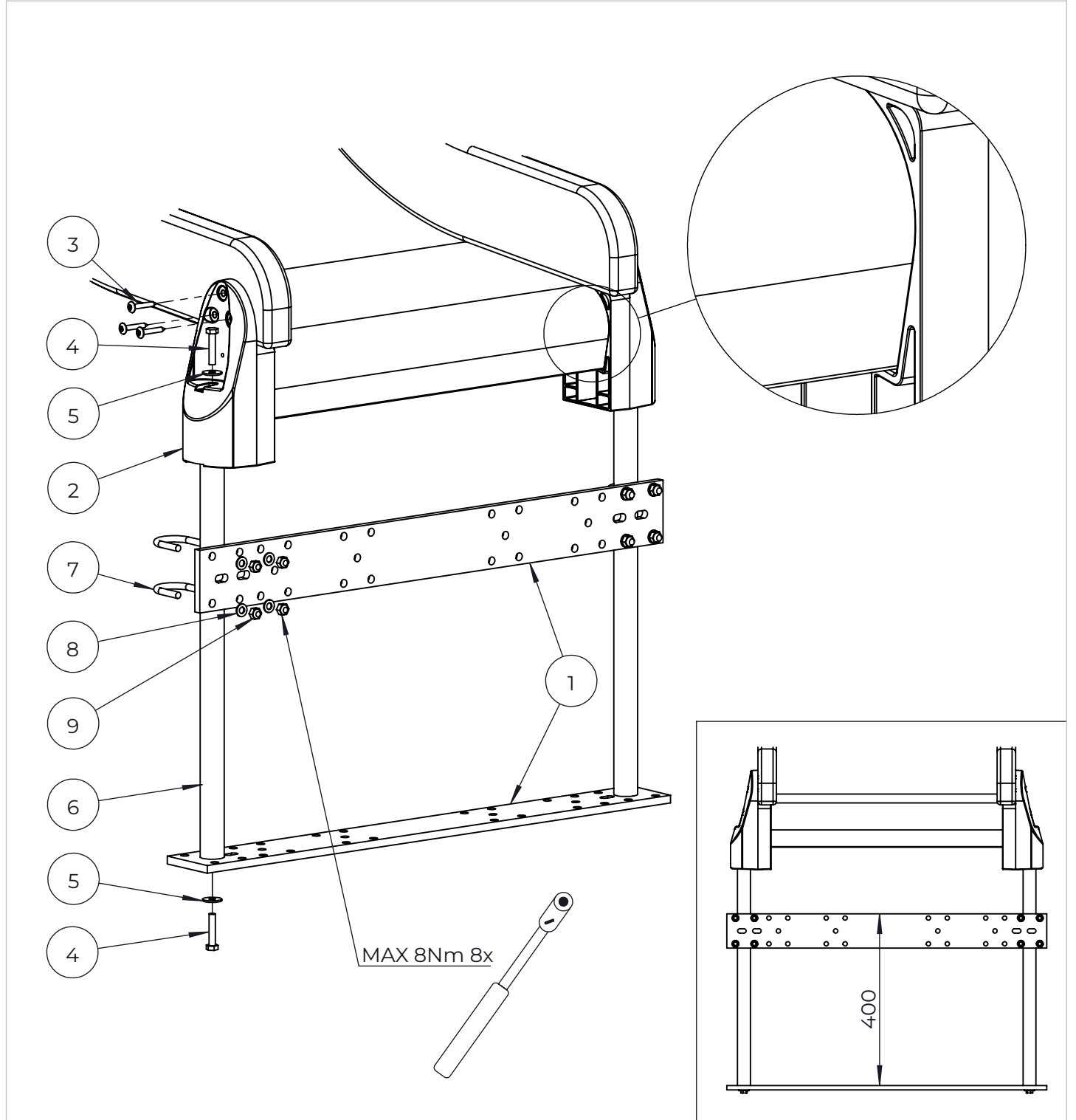
NO.	ITEM CODE			QTY.
1	710471	LATH	32x95x845	6
2	911808	COUNTERSUNK SCREW	M8x70	8
3	914858	SPECIAL NUT	M8x12	8
4	903533	PEITETULPPA	Ø9	8
5	906630	SCREW	Ø8x60	4



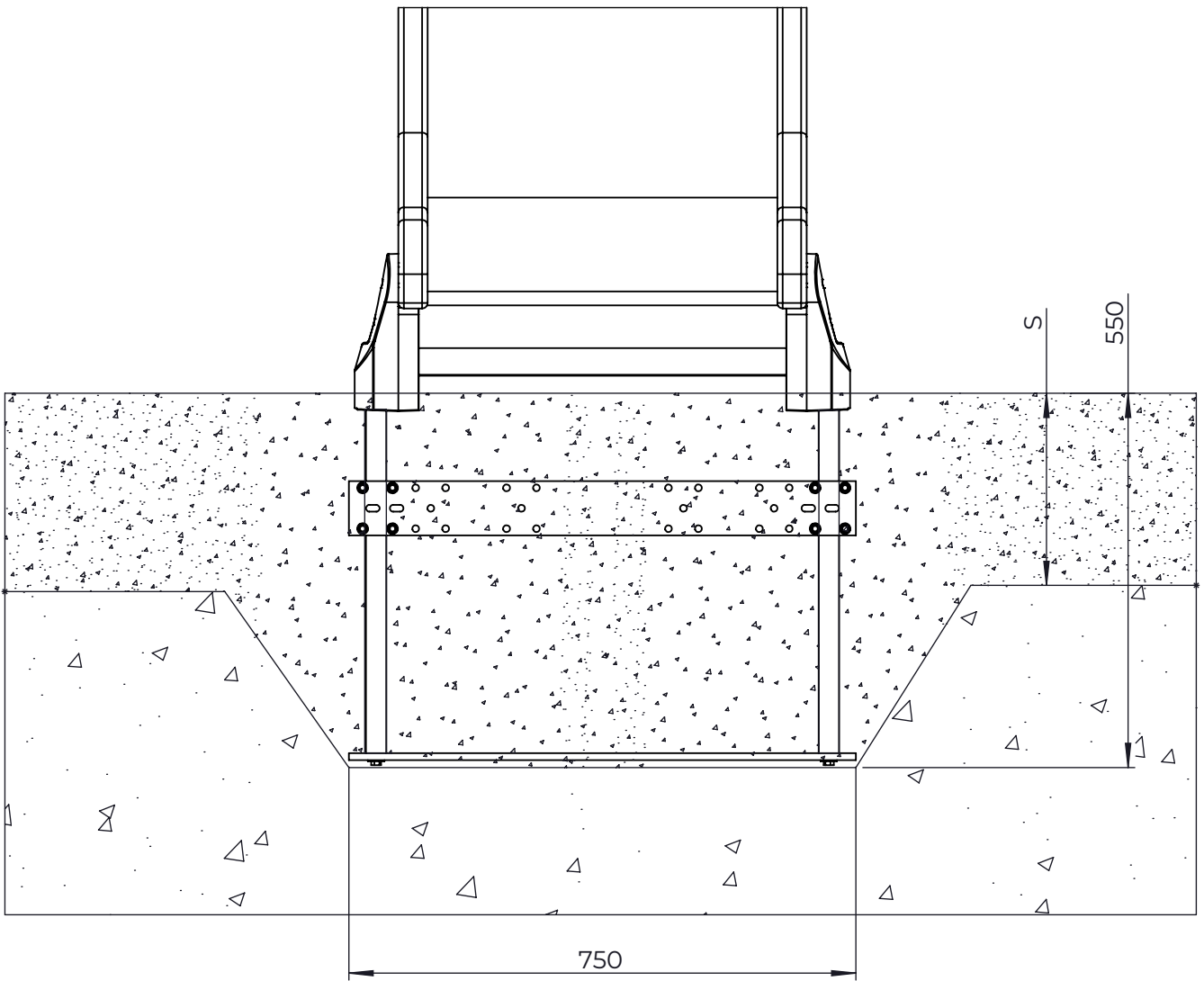
NO.	ITEM CODE			QTY.
1	914559	ROOF FRAME	94x883x950	2
2	980123	SPECIAL SCREW	Ø7x60	8
3	900735	ALLEN SCREW	M8x60	12
4	909256	WASHER	Ø16/8.4x1.6	20
5	909633	NUT	M8	12

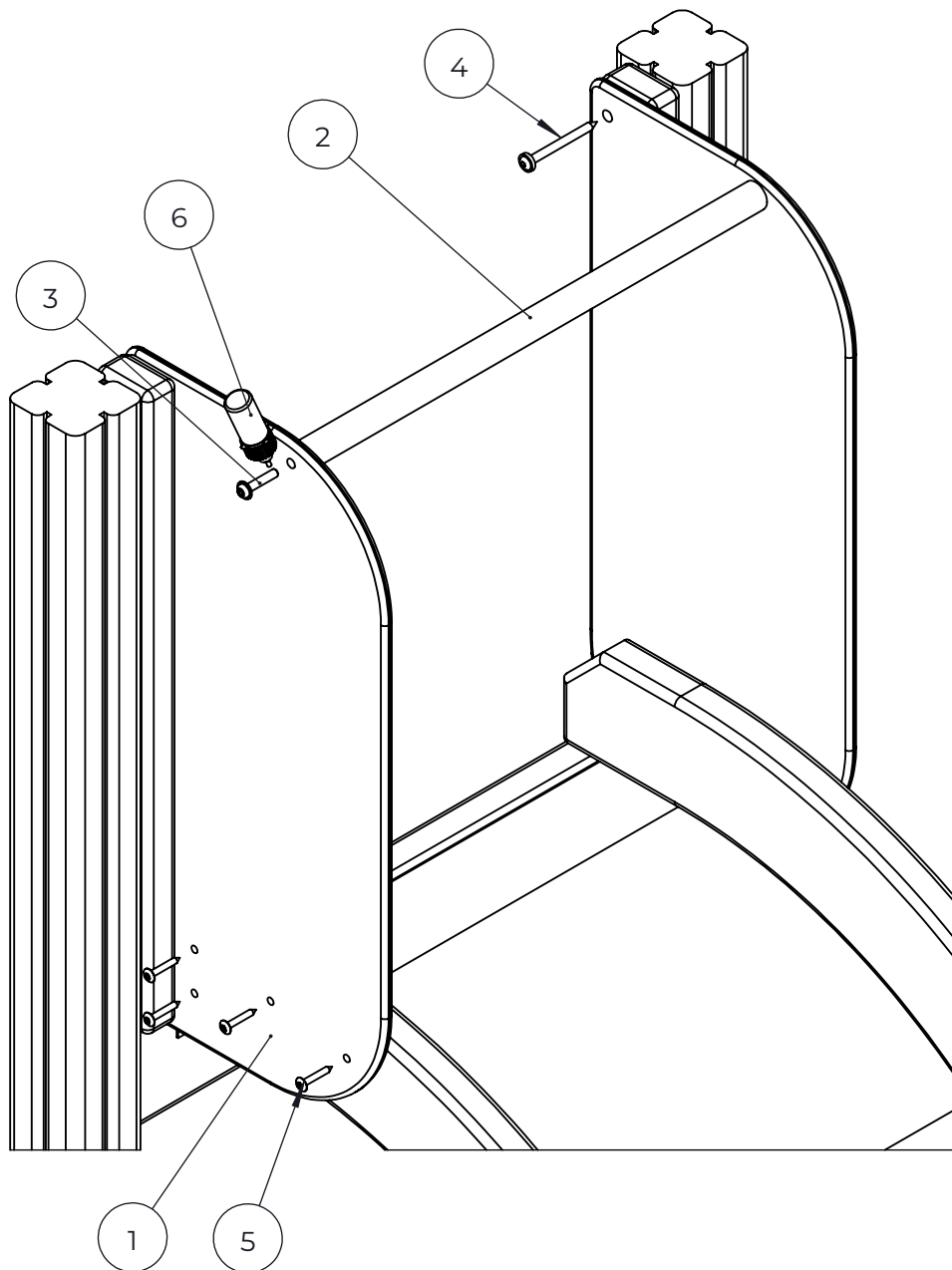


NO.	ITEM CODE			QTY.
1	712325	TABLE	12x206x702	1
2	914513	SUPPORT	120x48x189	2
3	905103	INSIDE PLUG	PT-28/32-H	2
4	900498	ALLEN SCREW	M8x50	4
5	905112	PLASTIC CAP	Ø22	4
6	909256	WASHER	Ø16/8.4x1.6	8
7	909633	NUT	M8	4
8	900240	SPECIAL SCREW	Ø8x70	4



NO.	ITEM CODE			QTY.
1	707133	PLATE	10x80x745	2
2	901879	CLAMP		2
3	980128	SPECIAL SCREW	Ø7x40	6
4	909210	BOLT	M8x40	4
5	905051	WASHER	Ø24/8.4	4
6	901868	BAR		2
7	901115	U-BOLT		4
8	909256	WASHER	Ø16/8.4x1.6	8
9	980160	NUT	M8	8





NO.	ITEM CODE			QTY.
1	711709	PLATE	12x343x747	2
2	914171	RAIL	Ø34x598	1
3	909876	ALLEN SCREW	M8x40	2
4	903093	SPECIAL SCREW	Ø8x90	2
5	980128	SPECIAL SCREW	Ø7x40	8
6	999561	THREAD GLUE HARD	10 g	1