

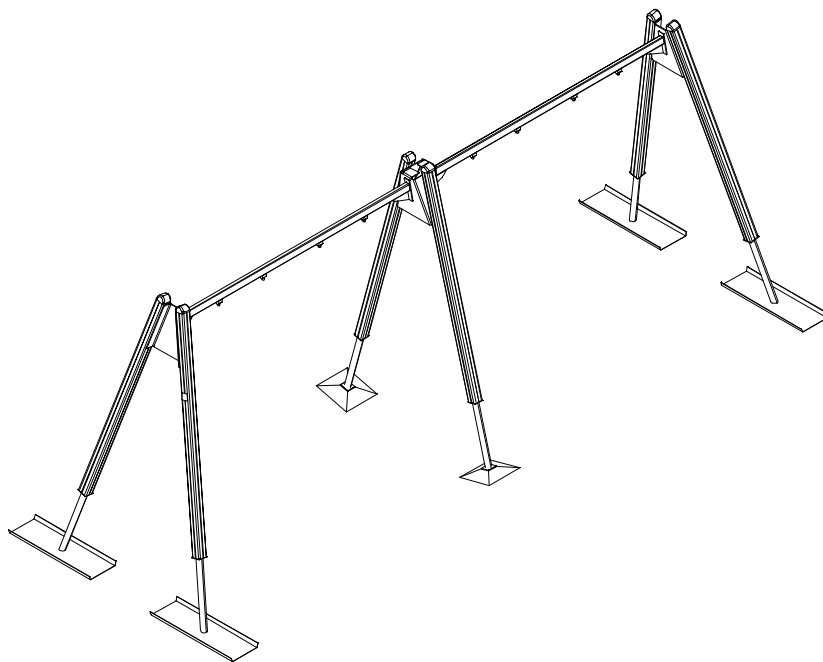



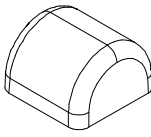

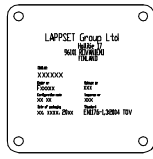

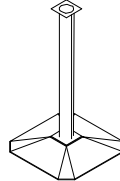

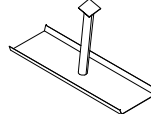

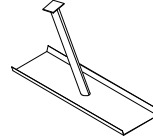



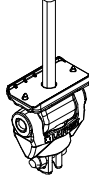
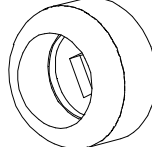
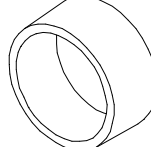
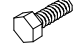

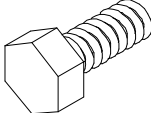
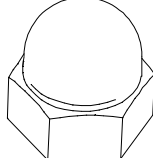
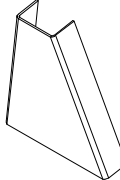

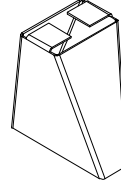


PRIME

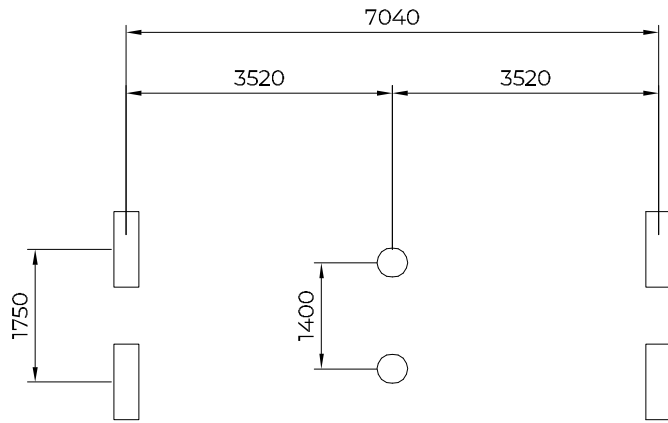
ASENNUSOHJE
MONTERINGSANSVISNING
INSTALLATION INSTRUCTION
AUFBAUANLEITUNG
NOTICE D'INSTALLATION

DATE: 19.12.2025

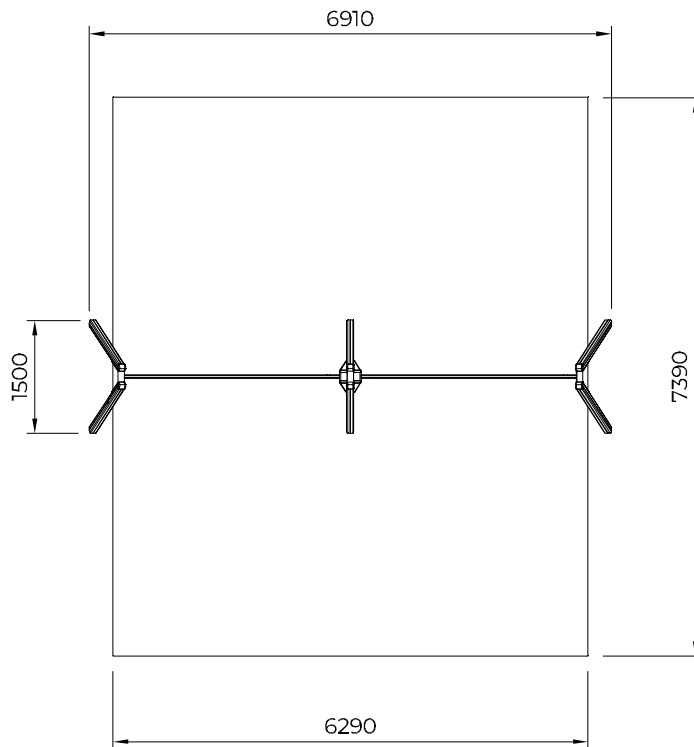
F24402M

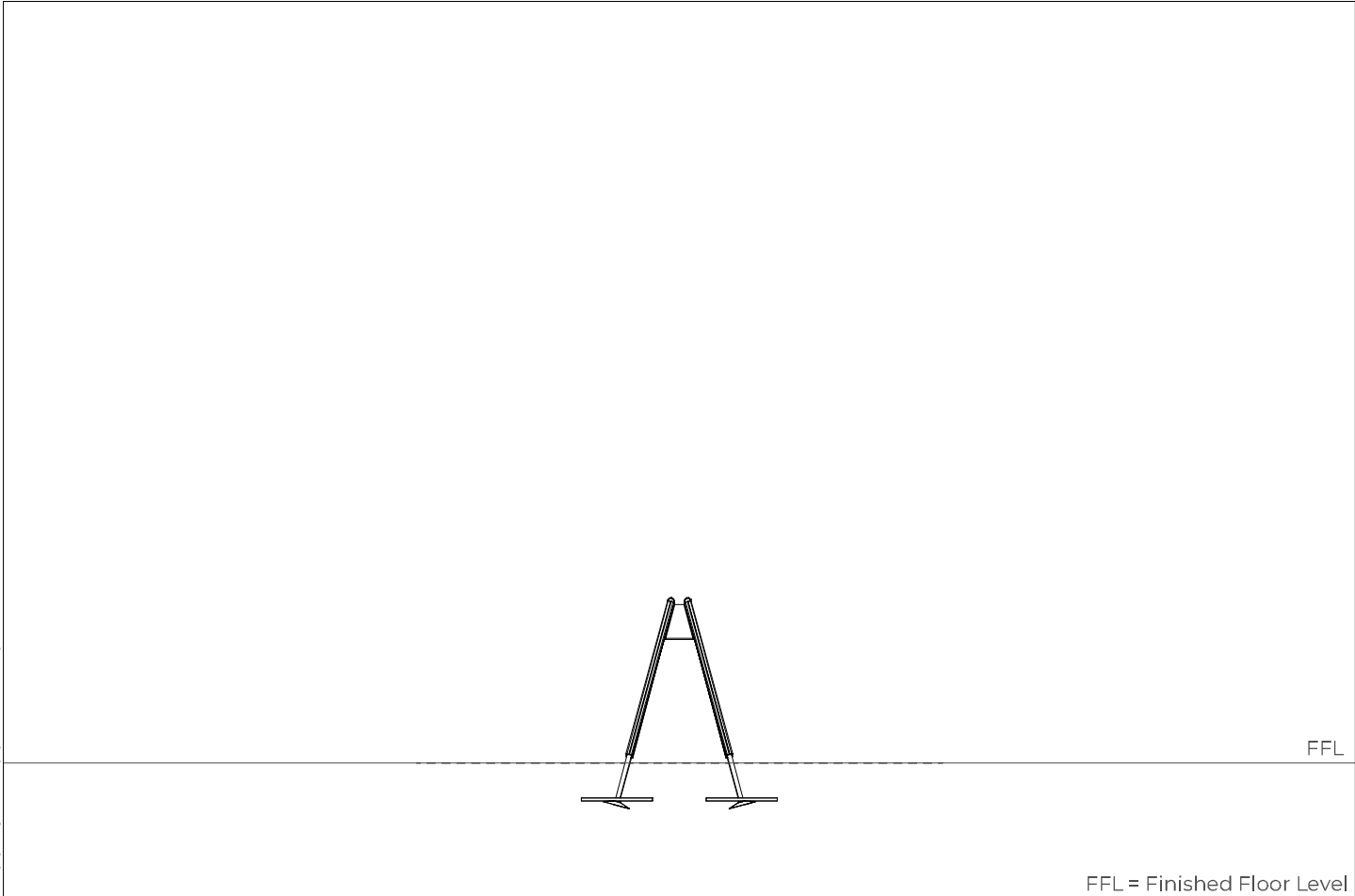
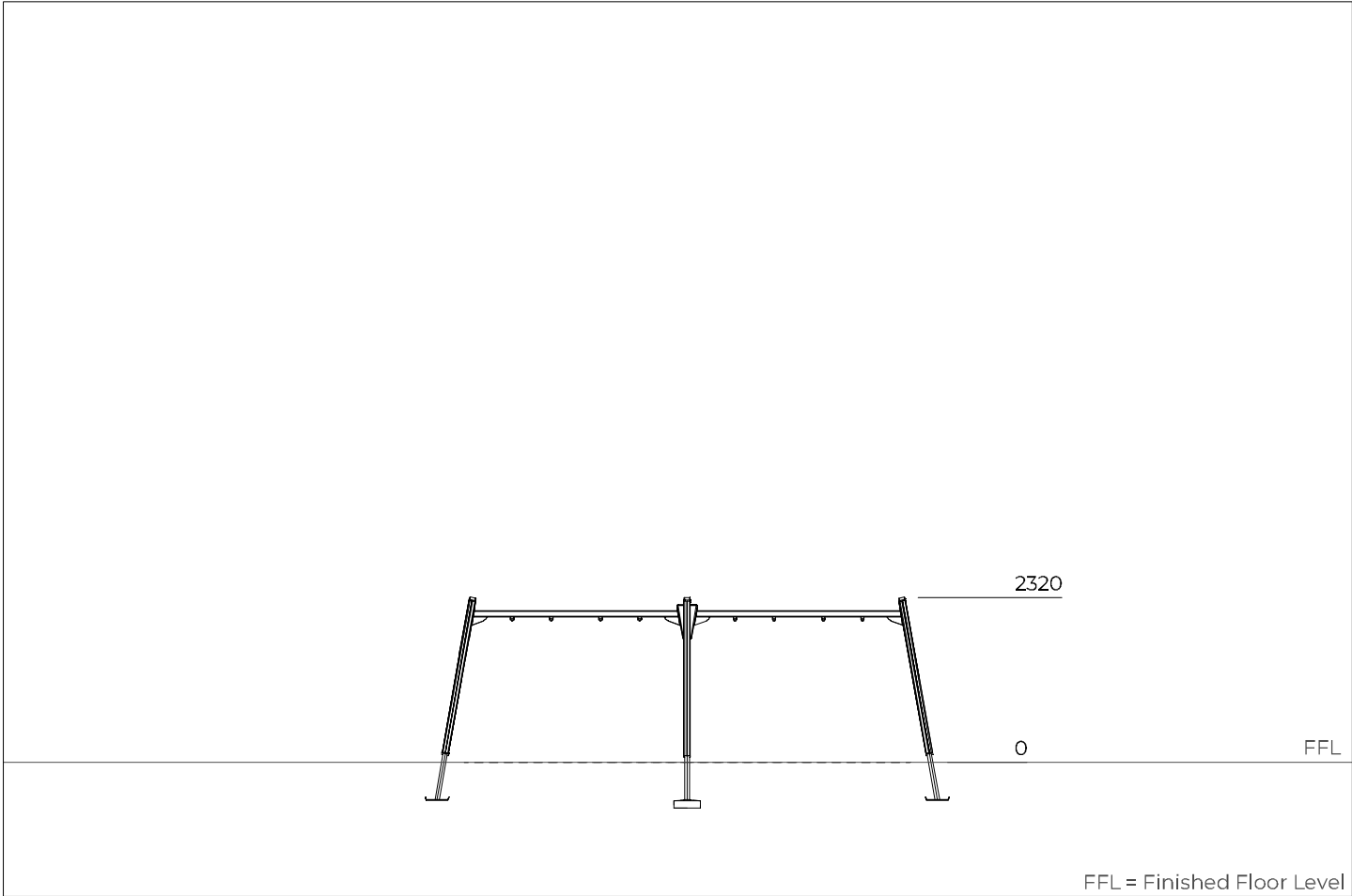


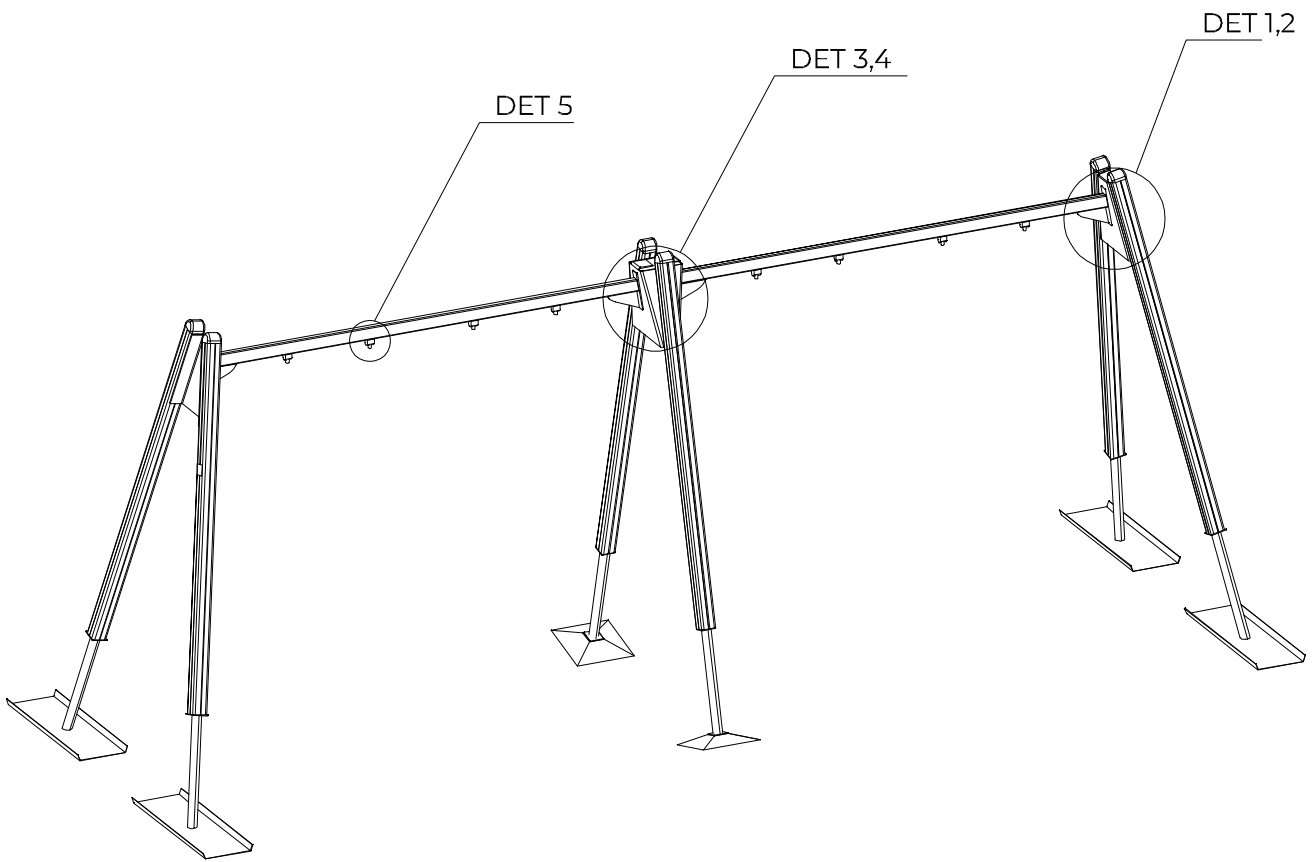
712097  L 2250	PCS 6	712788  	PCS 6	712797  	PCS 1	712889  L 700 	PCS 2	713045  	PCS 2	713046  	PCS 2
900965  M10	PCS 8	903149  M12x30	PCS 8	904904 	PCS 8	905090  Ø45	PCS 18	905115  Ø30	PCS 18	909347  M12x35	PCS 18
909638  M10 20/10,5	PCS 16	909639  M10x25	PCS 8	909644  M12	PCS 8	914223  6x503x547	PCS 2	914227  L2943	PCS 2	914231  	PCS 1
980154  M12 13/24	PCS 34		PCS		PCS		PCS		PCS		PCS
	PCS		PCS		PCS		PCS		PCS		PCS
	PCS		PCS		PCS		PCS		PCS		PCS



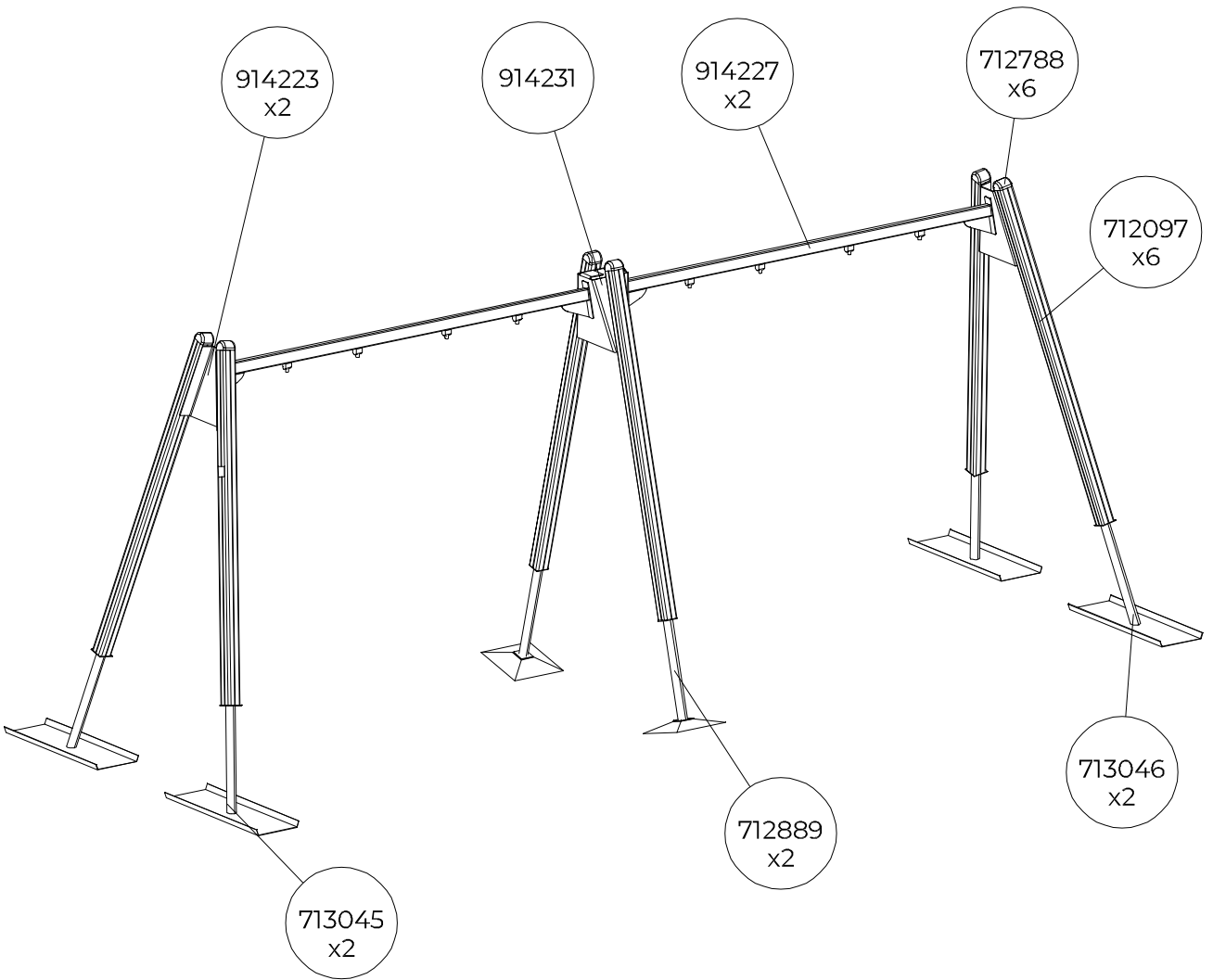
- EN/AS Impact Area 46 m²
- - - - Falling Space 46 m²
Max Falling Height 1200 mm

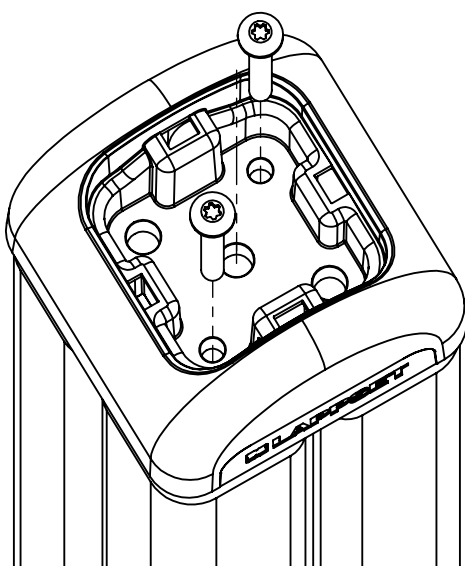
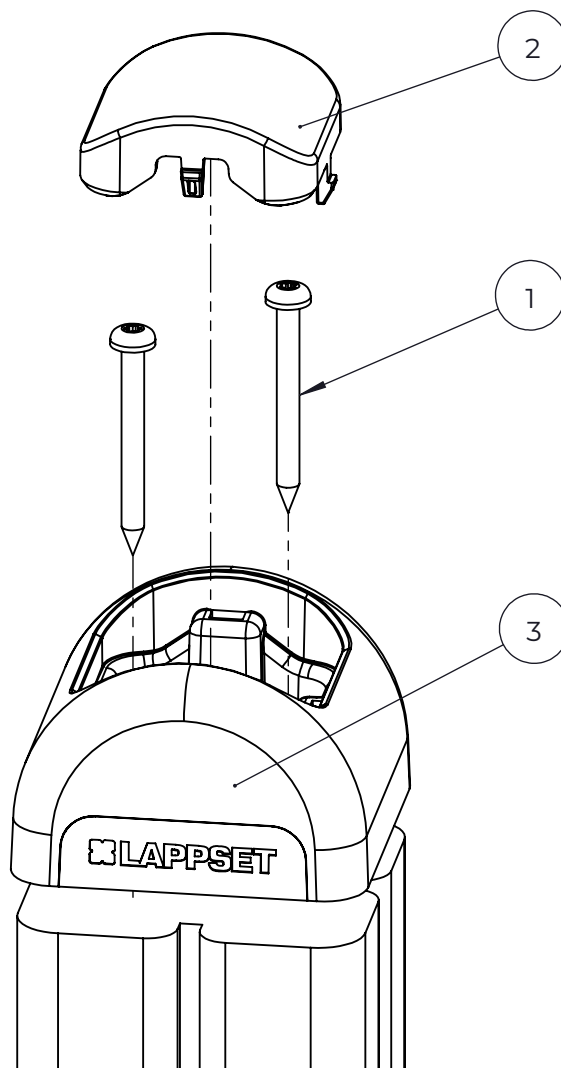




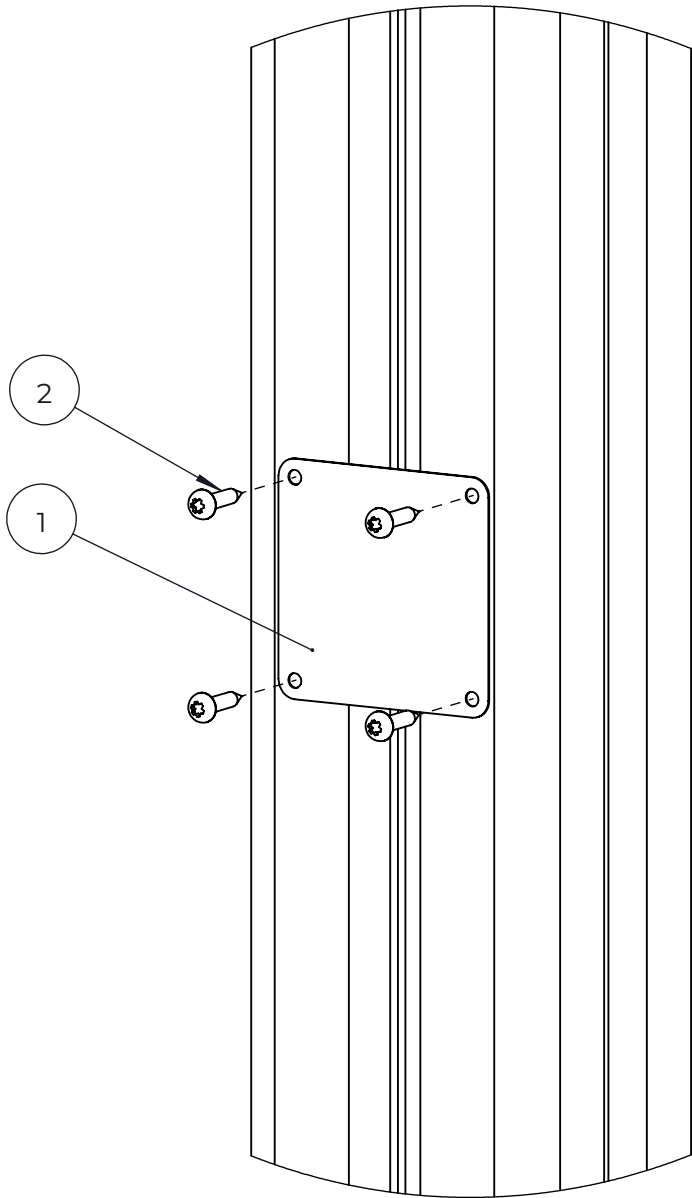


<p>DET 1</p> <p>M12x30 (903149) Ø24/13 (980154) 80Nm (M12) (909644) 45Nm (M10) (900965) Ø20/10.5 (909638) M10x25 (909639)</p>	<p>DET 2</p> <p>905090 Ø24/13 (980154) 999561 M12x35 (909347) 905115</p>	<p>DET 3</p> <p>M12x30 (903149) Ø24/13 (980154) 80Nm (M12) (909644) 45Nm (M10) (900965) Ø20/10.5 (909638) M10x25 (909639)</p>
<p>DET 4</p> <p>905090 Ø24/13 (980154) M12x35 (909347) 999561 905115</p>	<p>DET 5</p> <p>90Nm M12 (902234) Ø24/13 (980154) 904904</p>	

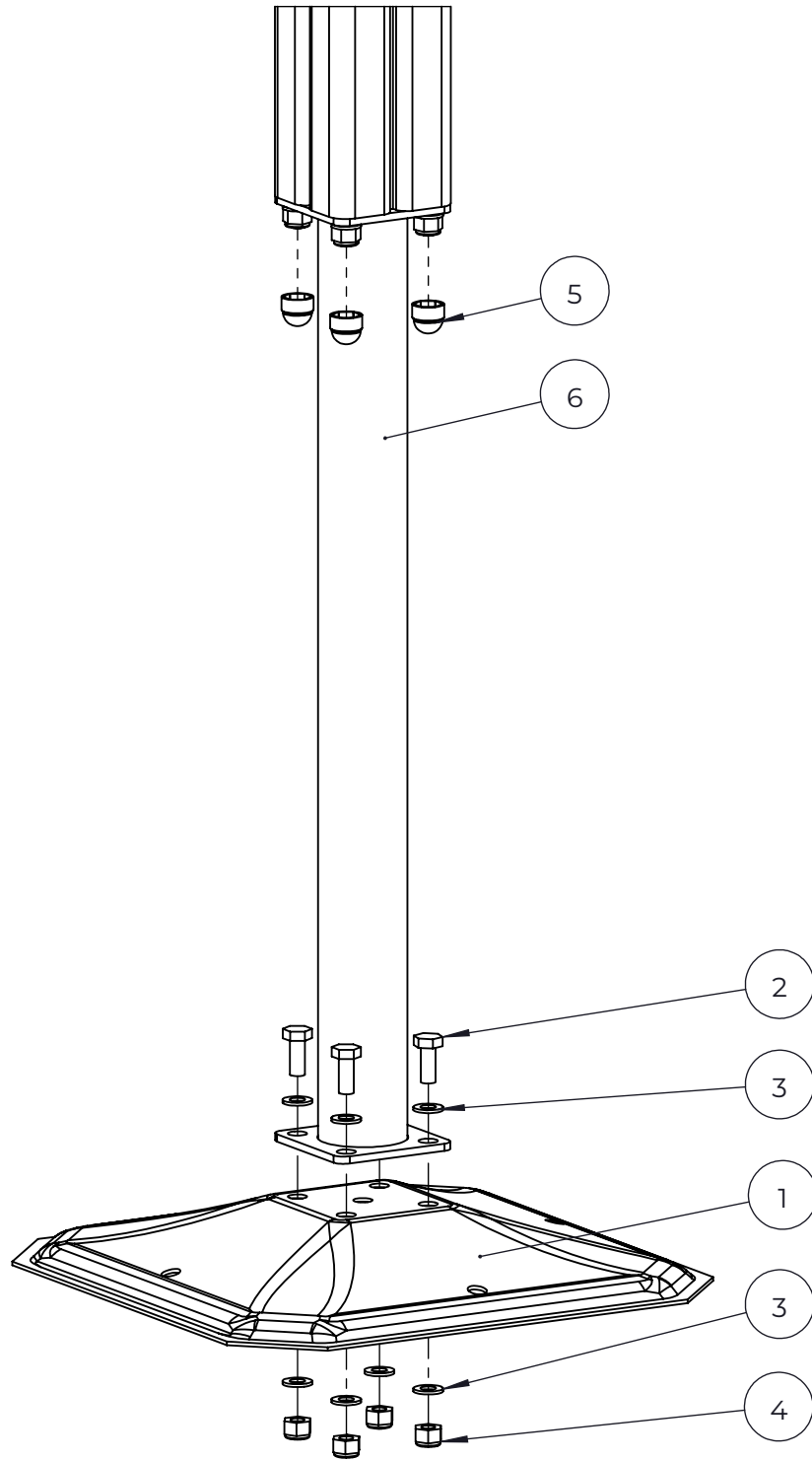




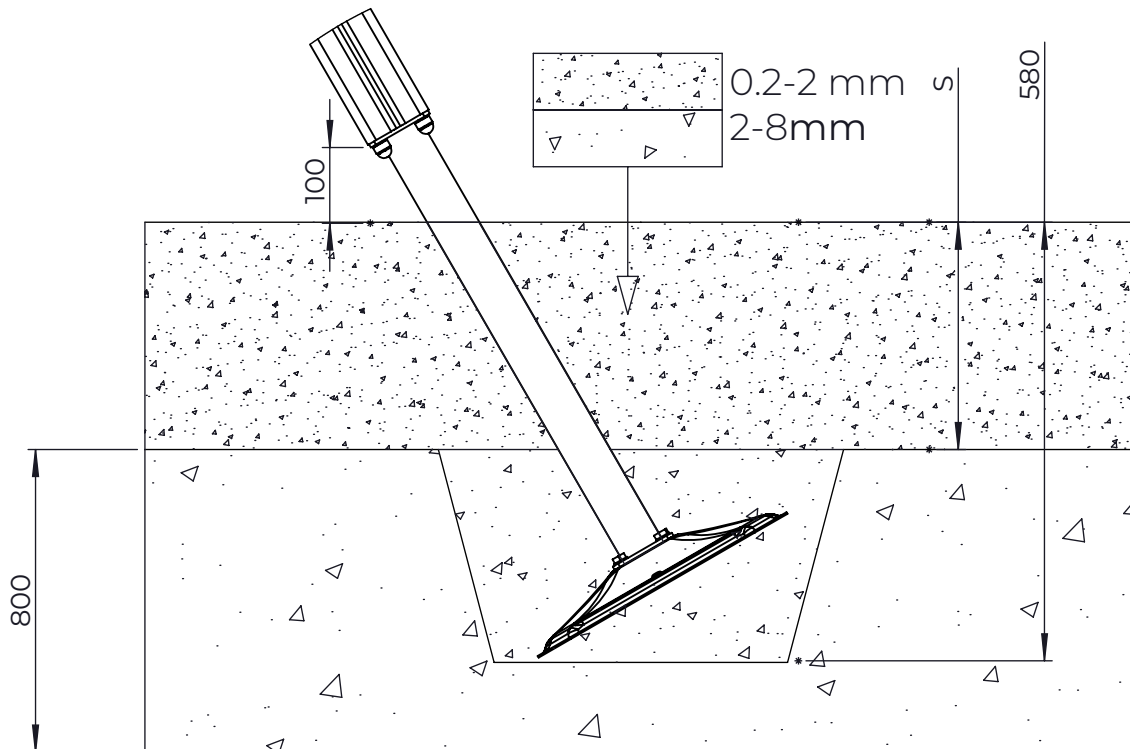
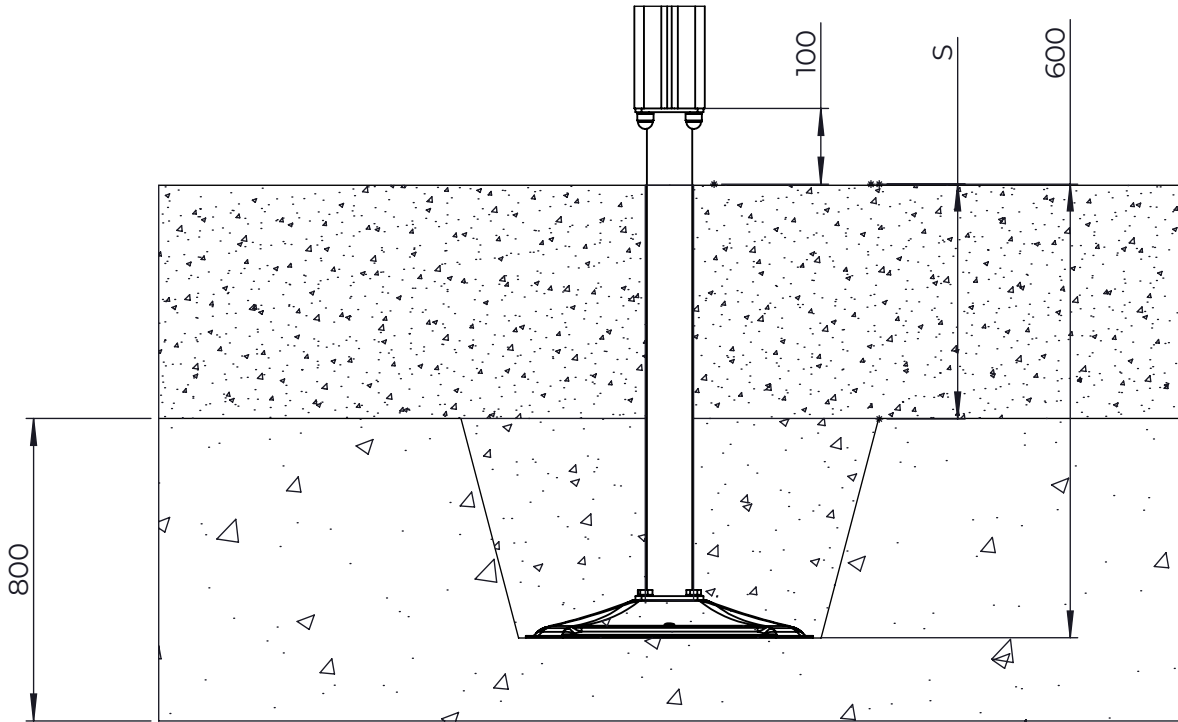
NO.	ITEM CODE			QTY.
1	980131	SCREW	Ø6x60	2
2	915379	TOP HAT COVER	67,5x67,6x34	1
3	915378	TOP HAT BASE	95x95x60	1

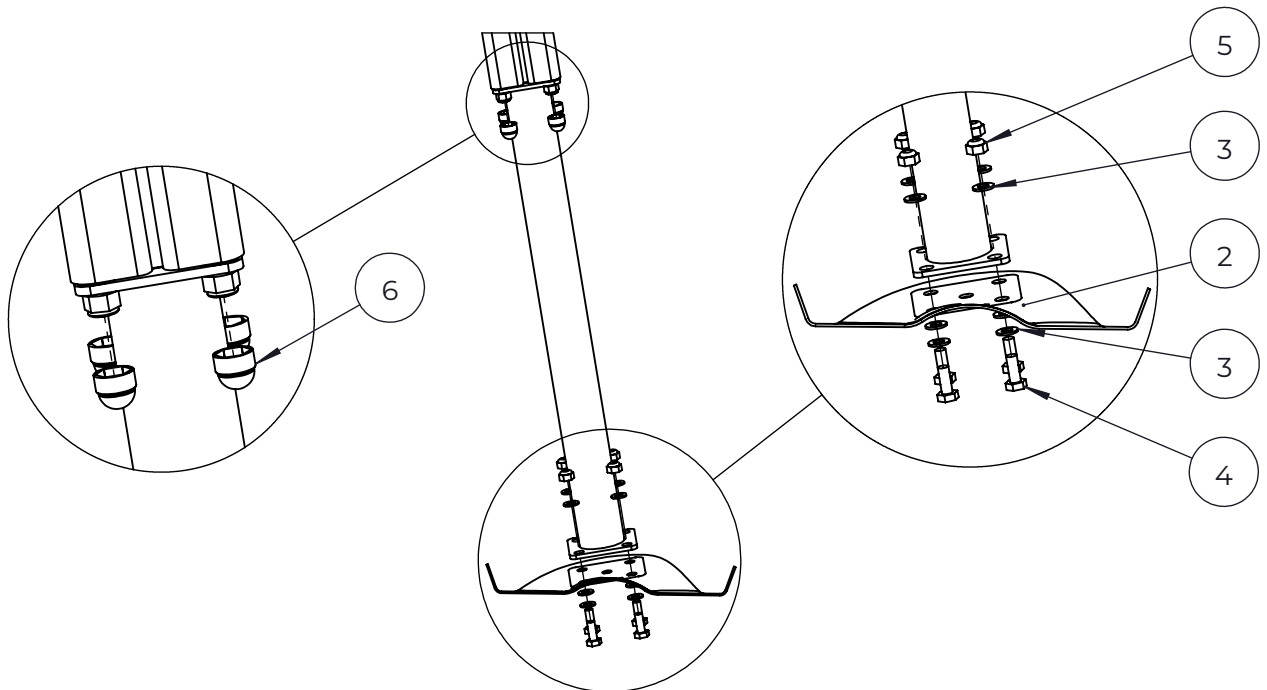
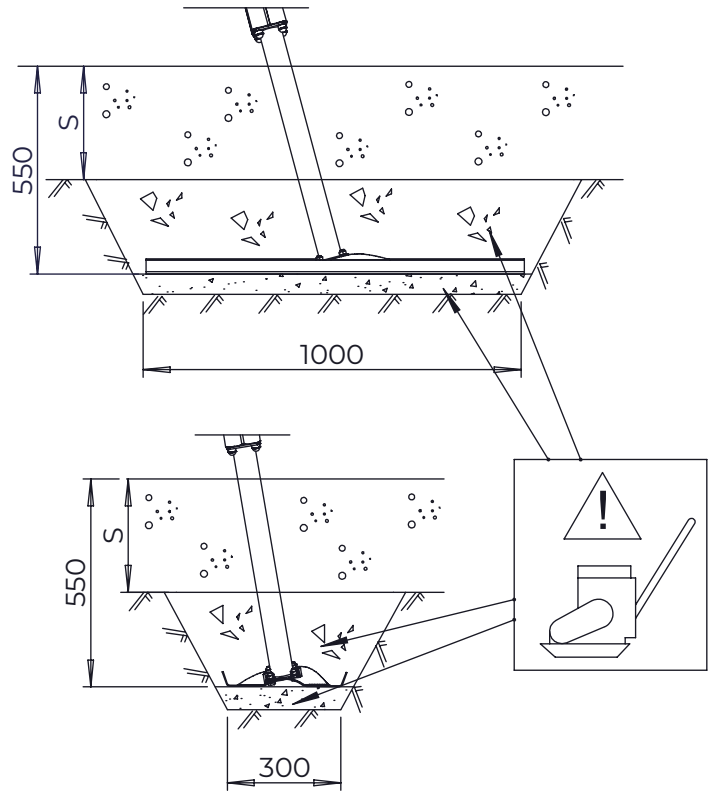
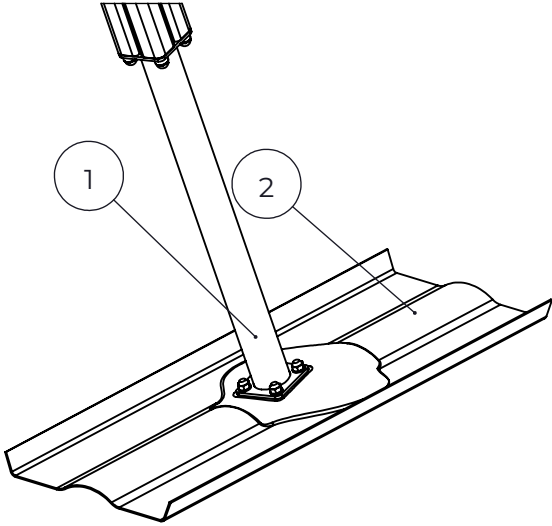


NO.	ITEM CODE			QTY.
1	702286	PRINTED LABEL	65x65	1
2	980114	SCREW	Ø4x20	4

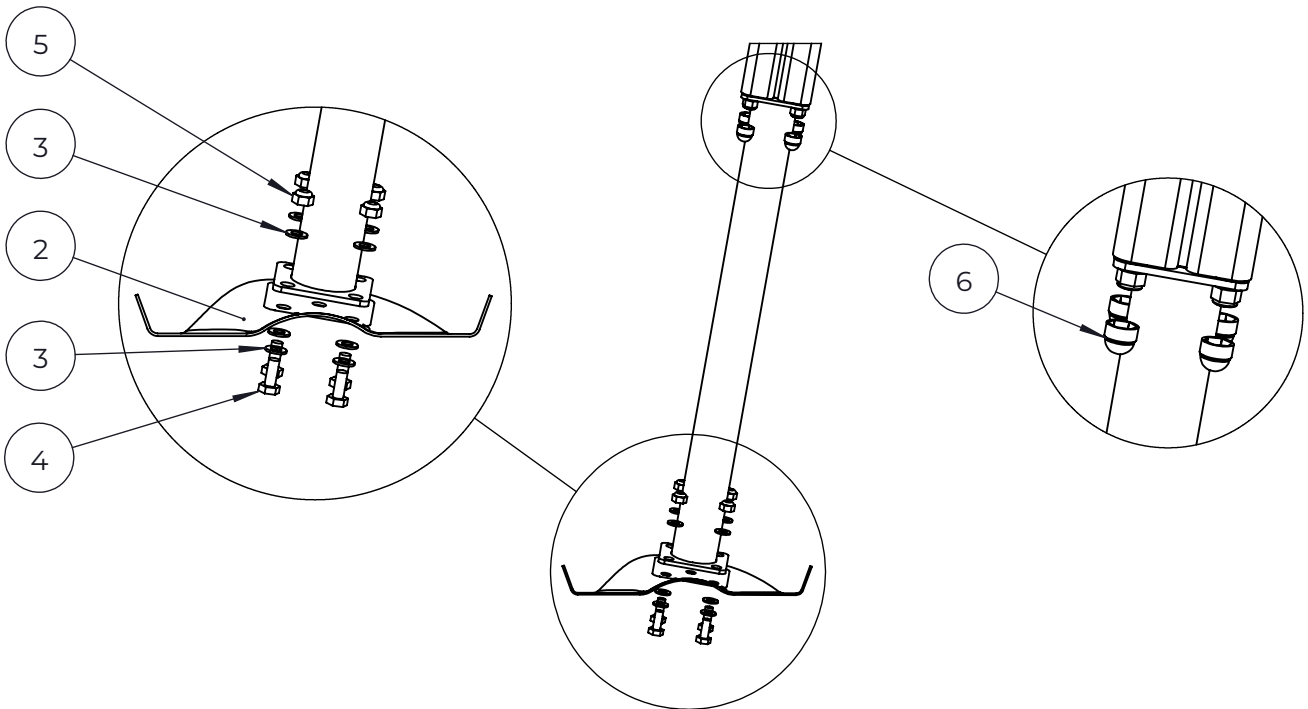
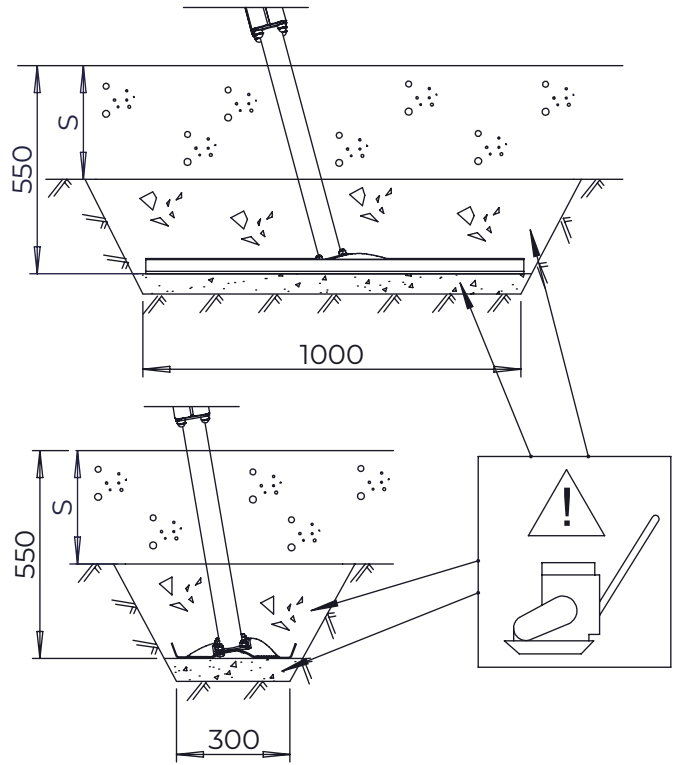
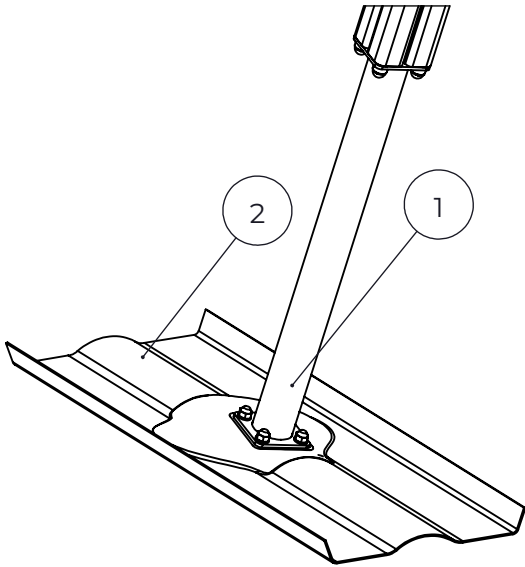


NO.	ITEM CODE			QTY.
1	909519	FOUNDATION PLATE	380 x 380 x 45	1
2	909639	BOLT	M10x25	4
3	909638	WASHER	Ø20 / 10.5	8
4	909637	NUT	M10	4
5	905104	OUTSIDE PLUG	M10	4
6	909511	FOUNDATION TUBE	90x90x650	1





NO.	ITEM CODE			QTY.
1	909511	FOUNDATION TUBE	90x90x650	1
2	909507	FOUNDATION PLATE		1
3	909638	WASHER	Ø20 / 10.5	8
4	909639	BOLT	M10x25	4
5	909637	NUT	M10	4
6	905104	OUTSIDE PLUG	M10	4



NO.	ITEM CODE			QTY.
1	909511	FOUNDATION TUBE	90x90x650	1
2	909508	FOUNDATION PLATE		1
3	909638	WASHER	Ø20 / 10.5	8
4	909639	BOLT	M10x25	4
5	909637	NUT	M10	4
6	905104	OUTSIDE PLUG	M10	4