

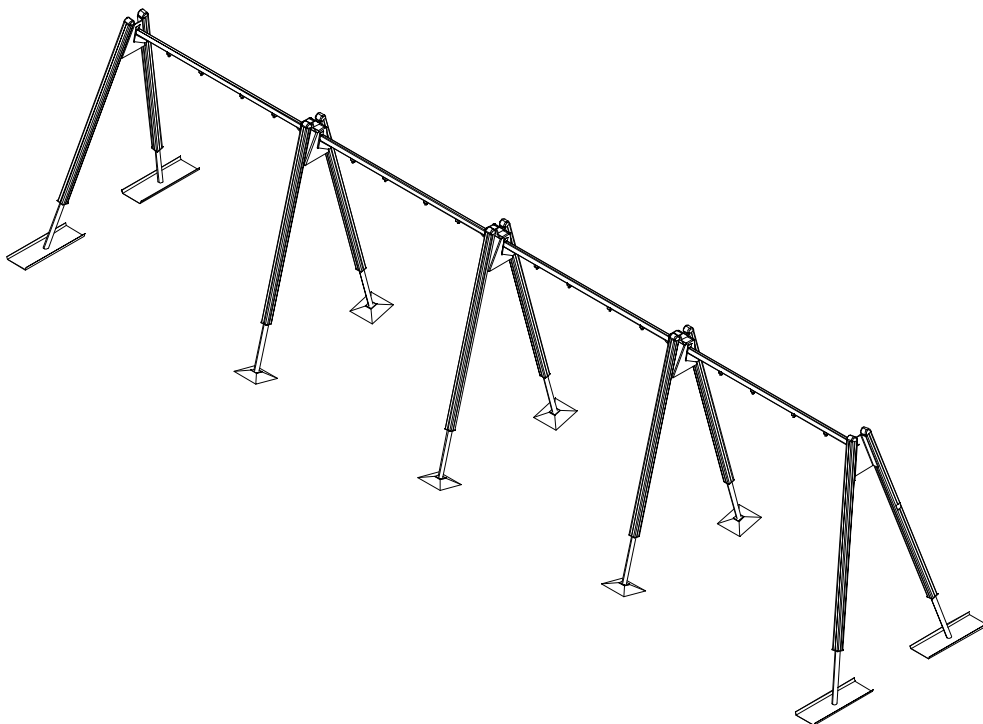



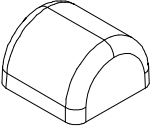

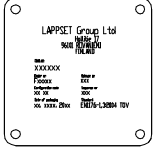

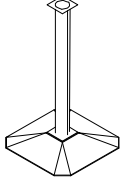

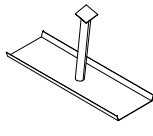

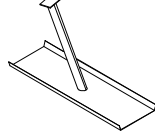

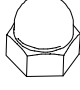
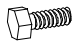
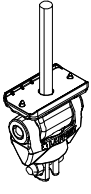
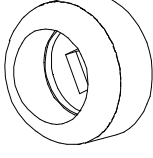
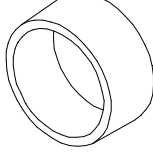
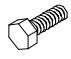
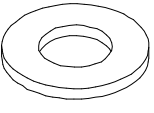
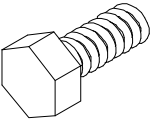
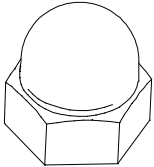
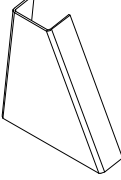
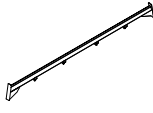
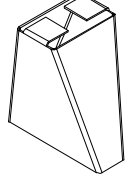


PRIME

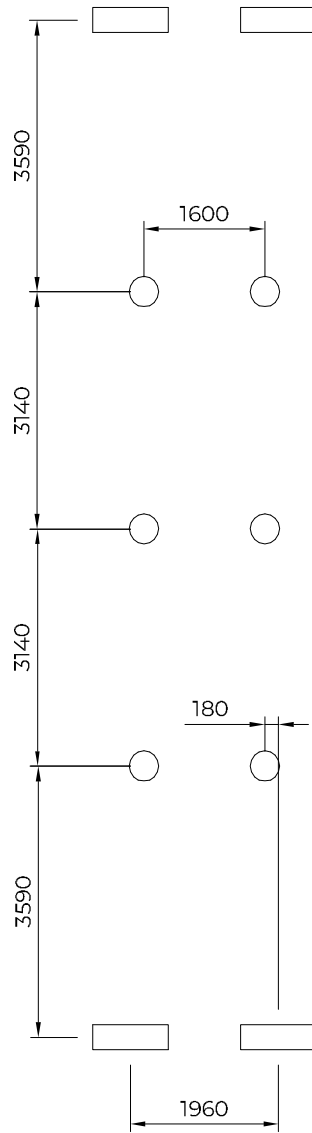
ASENNUSOHJE
MONTERINGSANSVISNING
INSTALLATION INSTRUCTION
AUFBAUANLEITUNG
NOTICE D'INSTALLATION

DATE: 12.1.2026

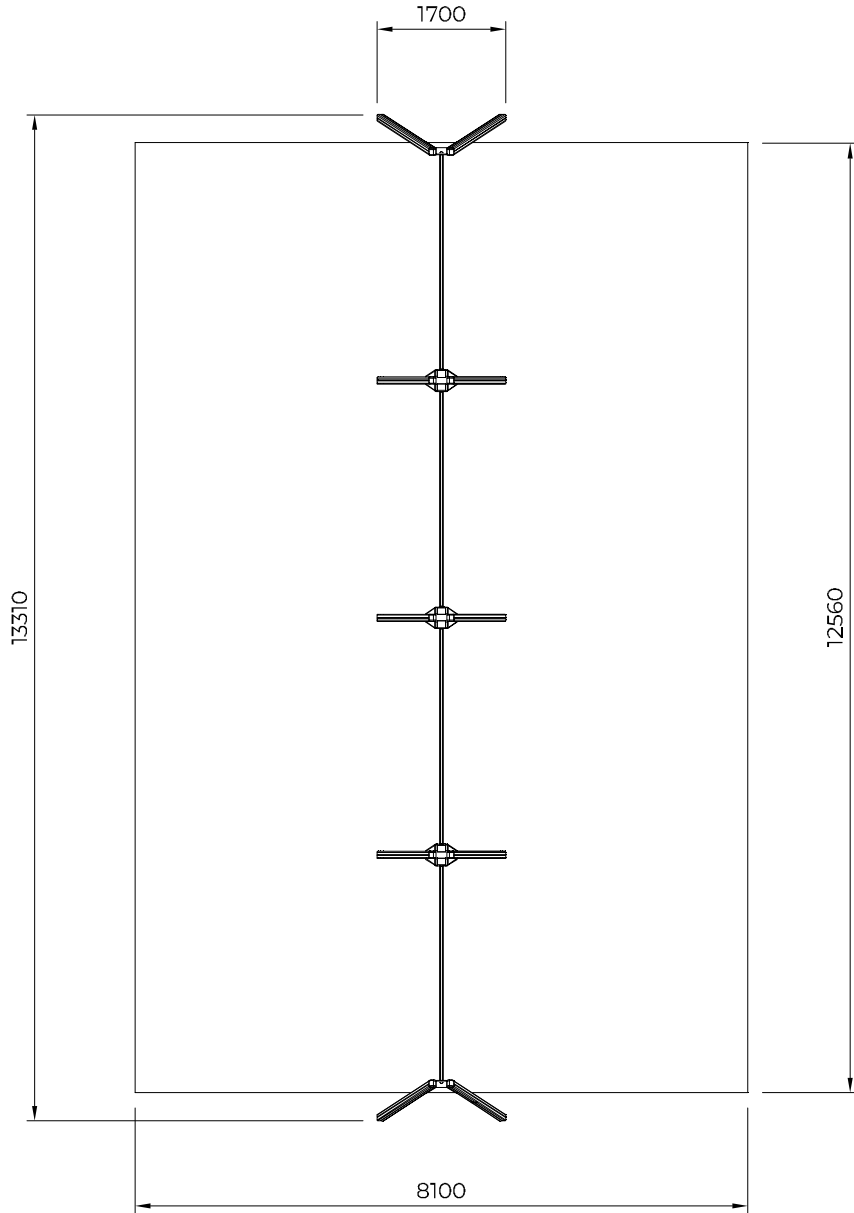
F24405M

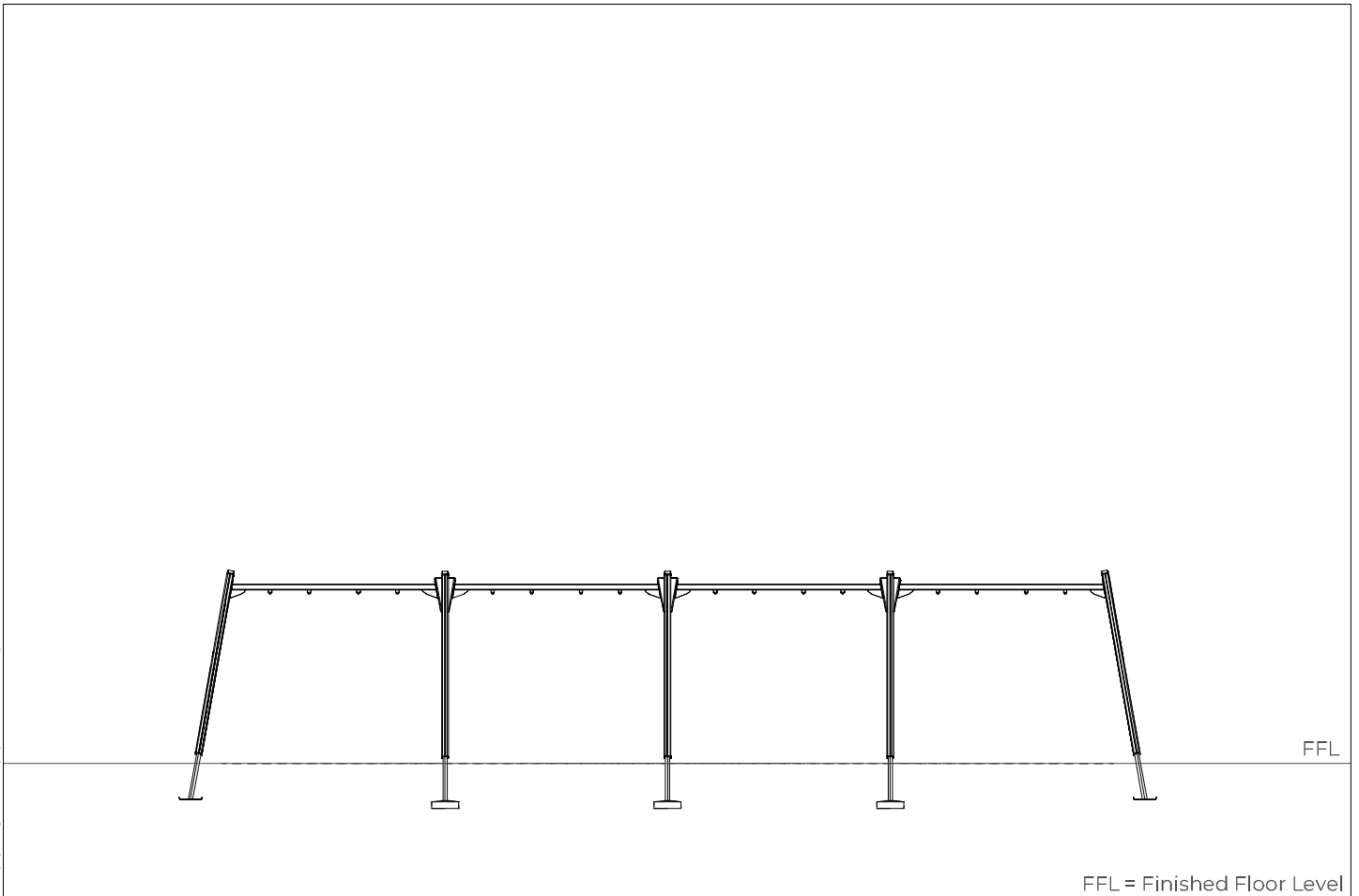
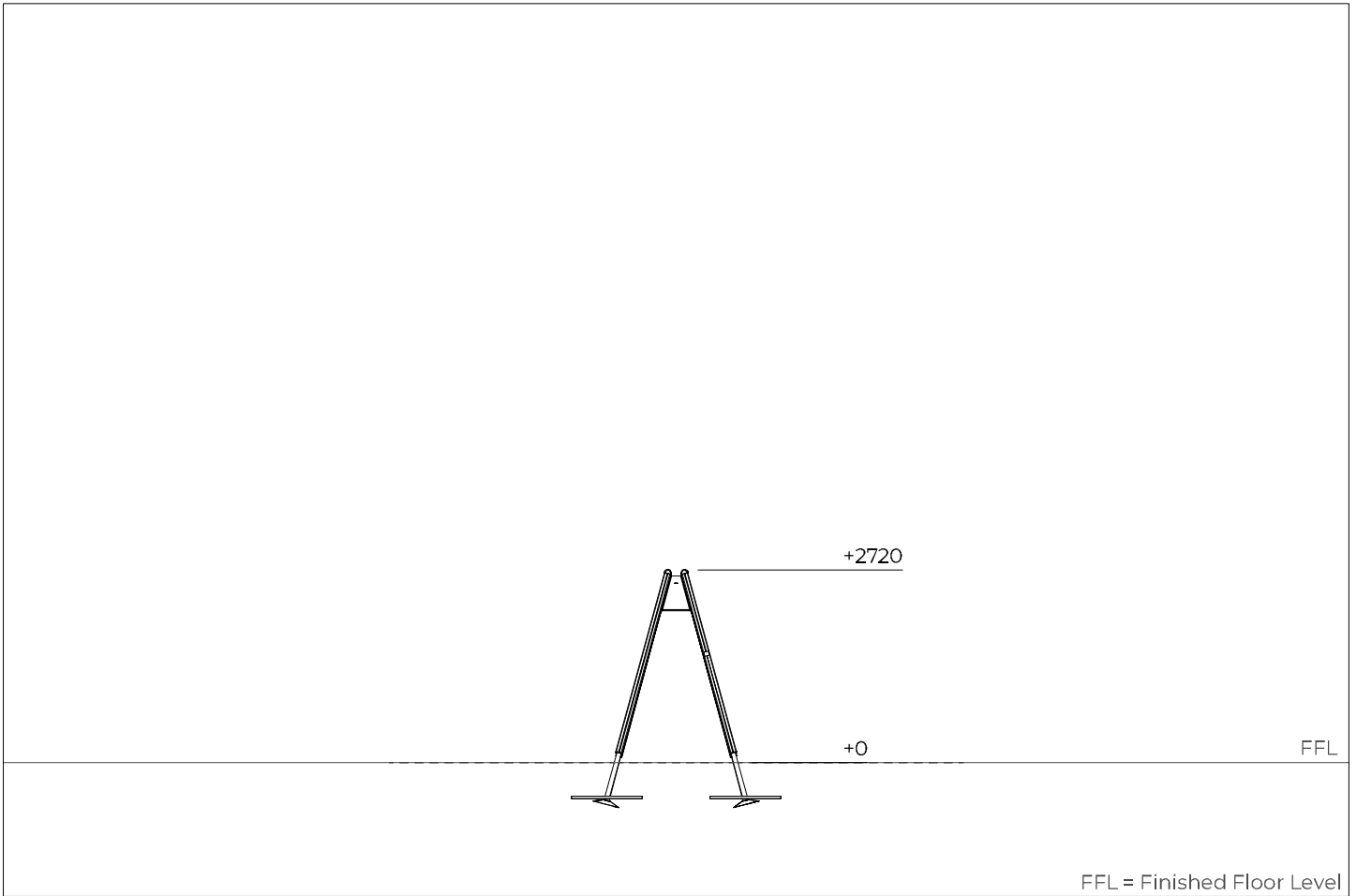


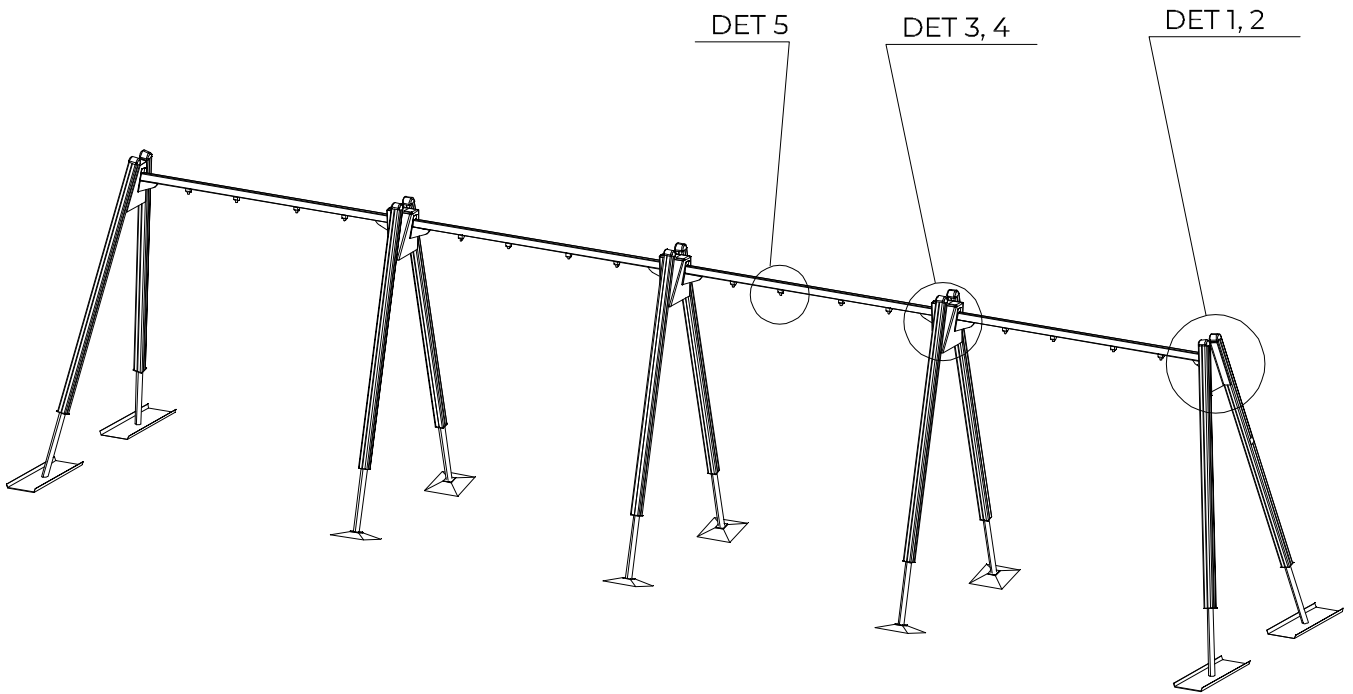
| | | | | | | | | | | | |
|---|----------------------|---|----------------------|---|----------------------|--|----------------------|---|----------------------|--|----------------------|
| <p>712098-001</p>  <p>L 2650</p> | <p>PCS</p> <p>10</p> | <p>712788</p>   | <p>PCS</p> <p>10</p> | <p>712797</p>   | <p>PCS</p> <p>1</p> | <p>712889</p>  <p>L 700</p>  | <p>PCS</p> <p>6</p> | <p>713045</p>   | <p>PCS</p> <p>2</p> | <p>713046</p>   | <p>PCS</p> <p>2</p> |
| <p>900965</p>  <p>M10</p> | <p>PCS</p> <p>16</p> | <p>903149</p>  <p>M12x30</p> | <p>PCS</p> <p>16</p> | <p>904904</p>  | <p>PCS</p> <p>16</p> | <p>905090</p>  <p>Ø45</p> | <p>PCS</p> <p>30</p> | <p>905115</p>  <p>Ø30</p> | <p>PCS</p> <p>30</p> | <p>909347</p>  <p>M12x35</p> | <p>PCS</p> <p>30</p> |
| <p>909638</p>  <p>M10 20/10,5</p> | <p>PCS</p> <p>32</p> | <p>909639</p>  <p>M10x25</p> | <p>PCS</p> <p>16</p> | <p>909644</p>  <p>M12</p> | <p>PCS</p> <p>16</p> | <p>914223</p>  <p>6x503x547</p> | <p>PCS</p> <p>2</p> | <p>914227</p>  <p>L2943</p> | <p>PCS</p> <p>4</p> | <p>914231</p>   | <p>PCS</p> <p>3</p> |
| <p>980154</p>  <p>M12 13/24</p> | <p>PCS</p> <p>62</p> | | <p>PCS</p> | | <p>PCS</p> | | <p>PCS</p> | | <p>PCS</p> | | <p>PCS</p> |
| | <p>PCS</p> | | <p>PCS</p> | | <p>PCS</p> | | <p>PCS</p> | | <p>PCS</p> | | <p>PCS</p> |
| | <p>PCS</p> | | <p>PCS</p> | | <p>PCS</p> | | <p>PCS</p> | | <p>PCS</p> | | <p>PCS</p> |



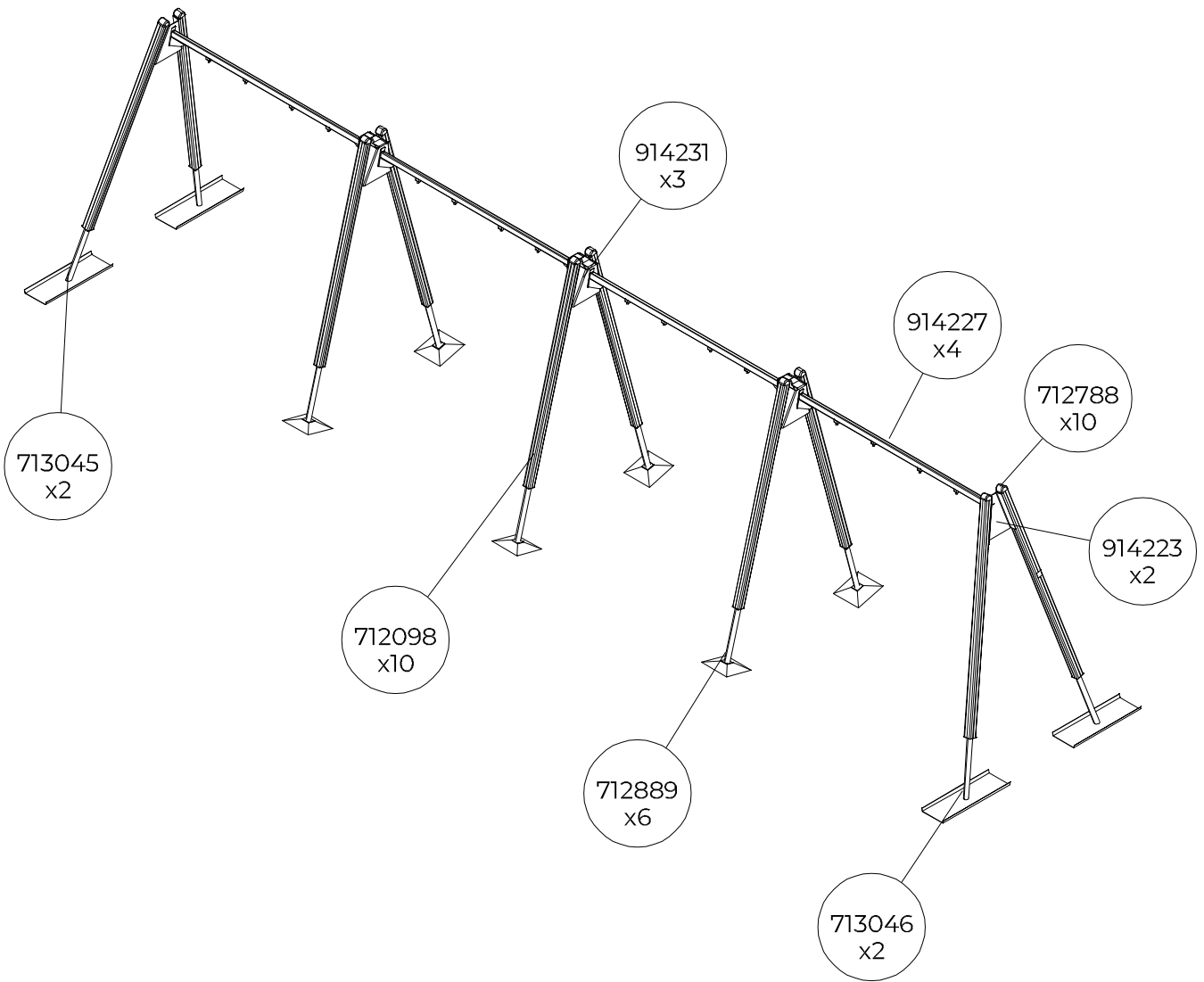
—— EN/AS Impact Area 102 m²
- - - - Falling Space 102 m²
Max Falling Height 1400 mm

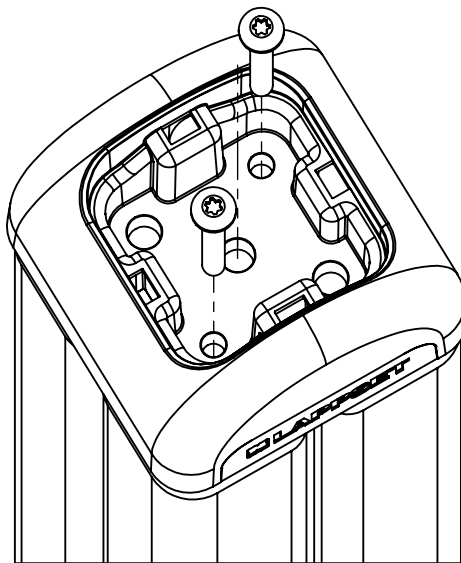
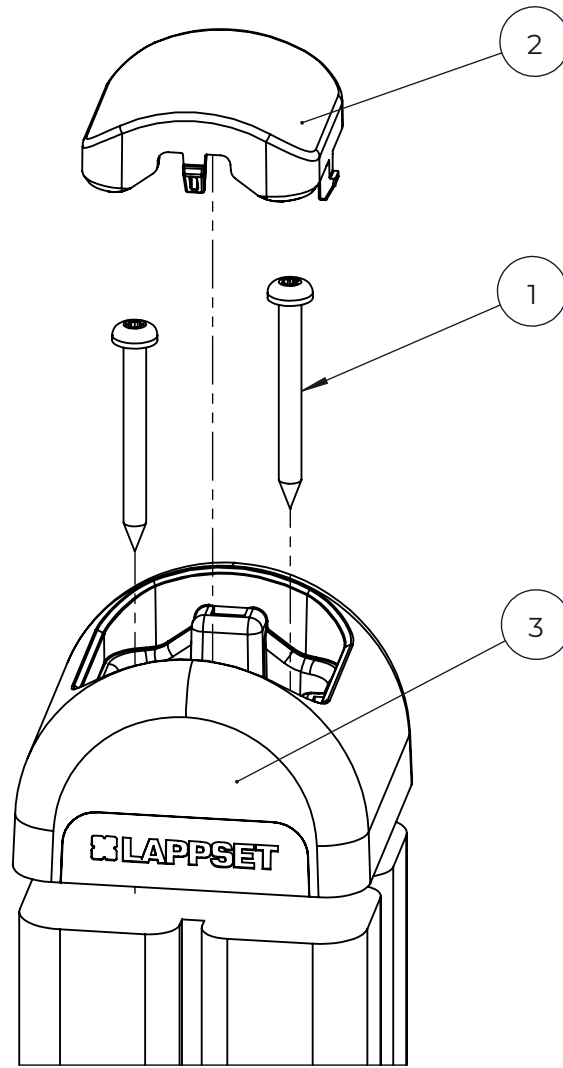




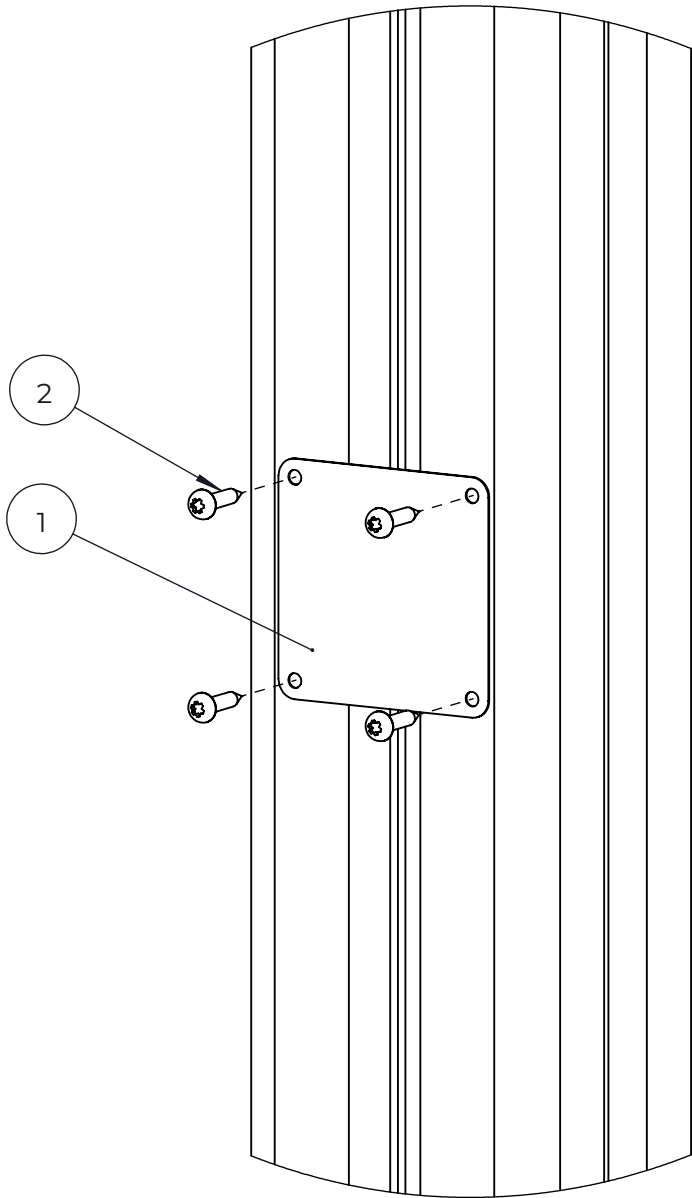


| | | |
|--|---|--|
| <p>DET 1</p> <p>M12x30 (903149) Ø24/13 (980154) 80Nm (M12) (909644) 45Nm (M10) (900965) Ø20/10.5 (909638) M10x25 (909639)</p> | <p>DET 2</p> <p>905090 Ø24/13 (980154) 999561 M12x35 (909347) 905115</p> | <p>DET 3</p> <p>M12x30 (903149) Ø24/13 (980154) 80Nm (M12) (909644) 45Nm (M10) (900965) Ø20/10.5 (909638) M10x25 (909639)</p> |
| <p>DET 4</p> <p>905090 Ø24/13 (980154) M12x35 (909347) 999561 905115</p> | <p>DET 5</p> <p>90Nm M12 (902234) Ø24/13 (980154) 904904</p> | |
| | | |
| | | |

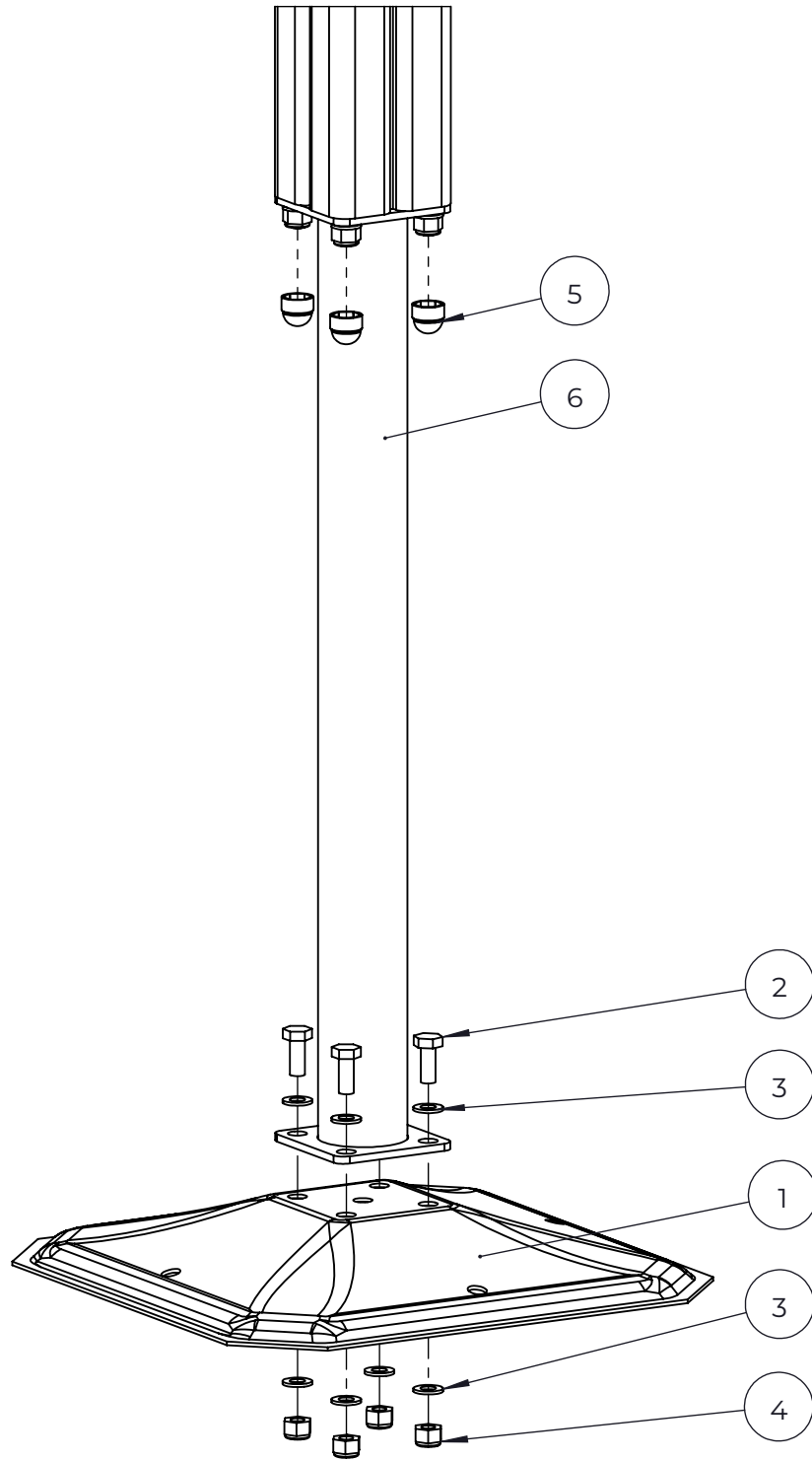




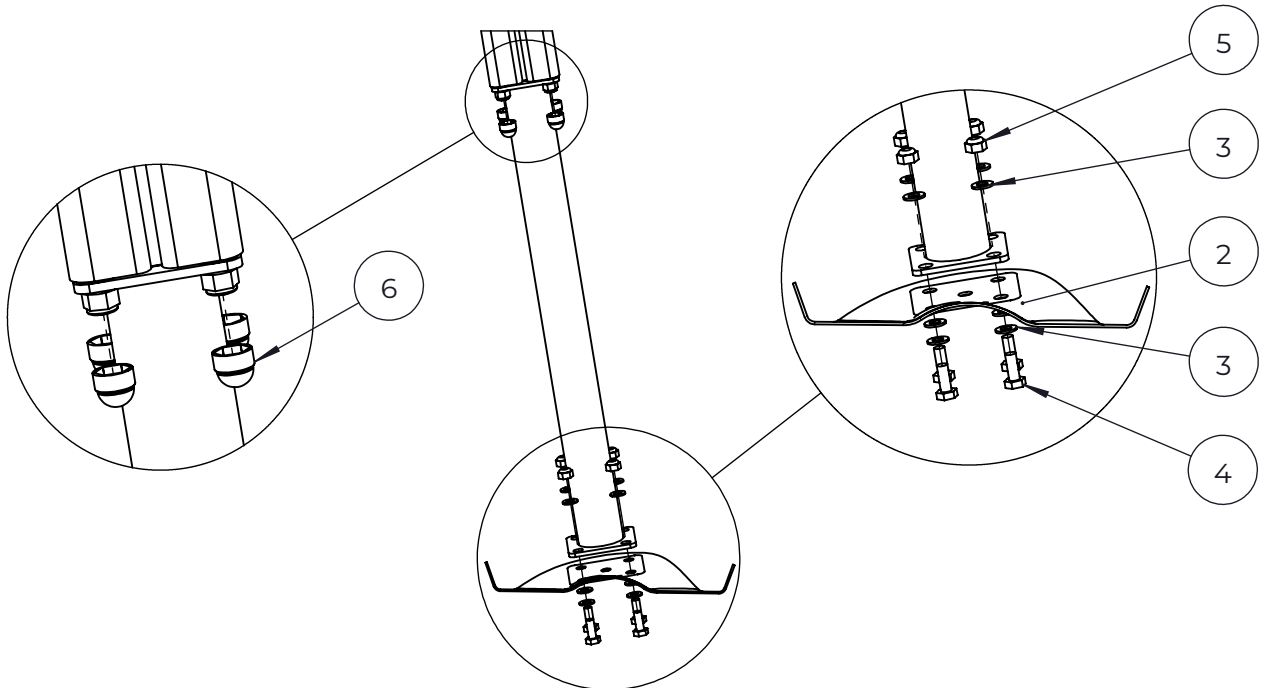
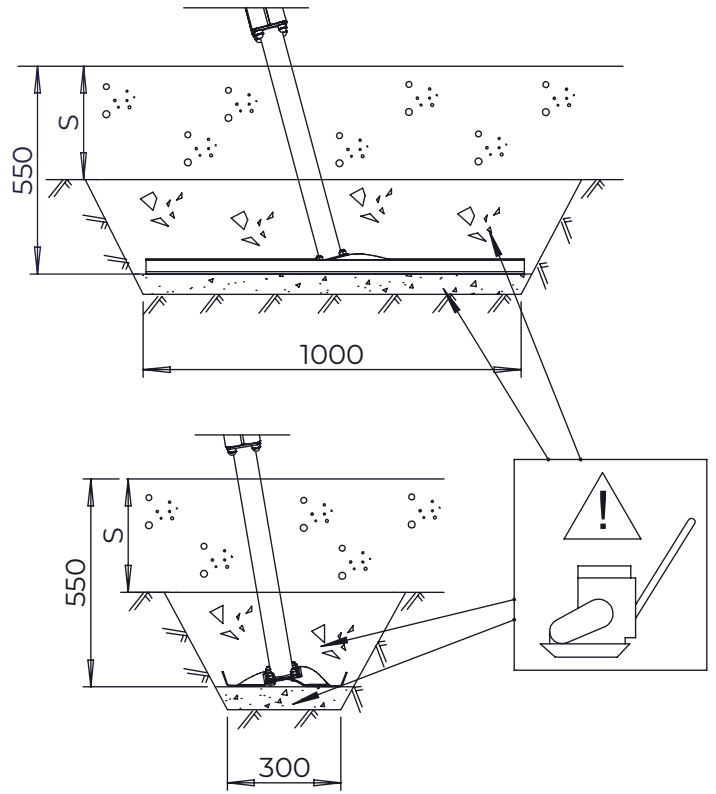
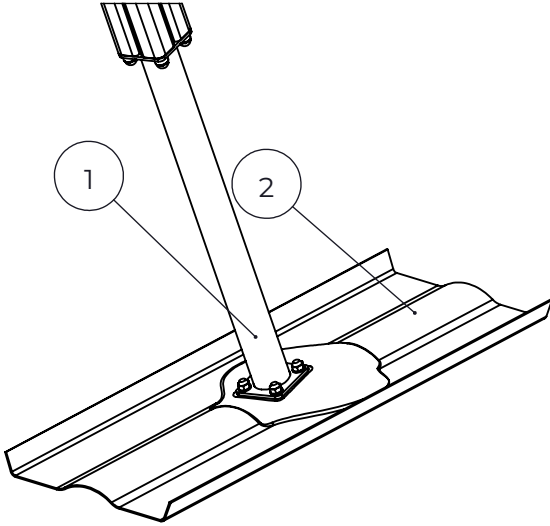
| NO. | ITEM CODE | | | QTY. |
|-----|-----------|---------------|--------------|------|
| 1 | 980131 | SCREW | Ø6x60 | 2 |
| 2 | 915379 | TOP HAT COVER | 67,5x67,6x34 | 1 |
| 3 | 915378 | TOP HAT BASE | 95x95x60 | 1 |



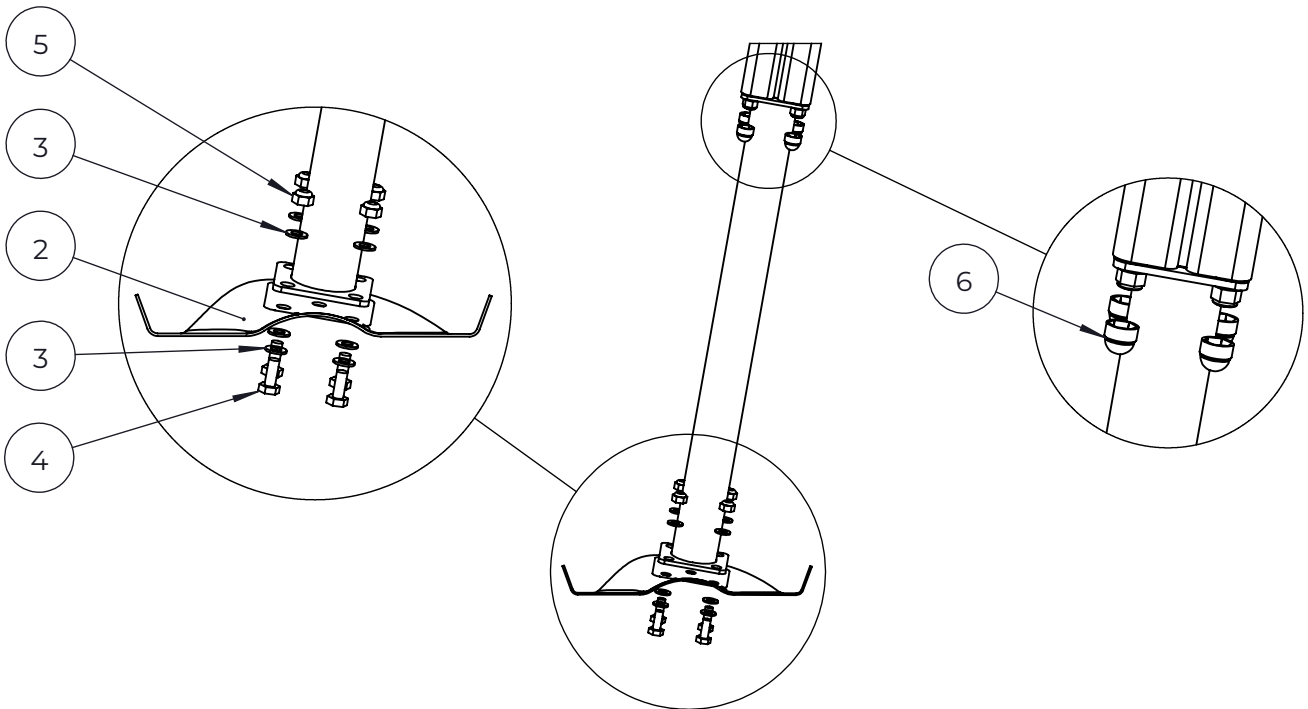
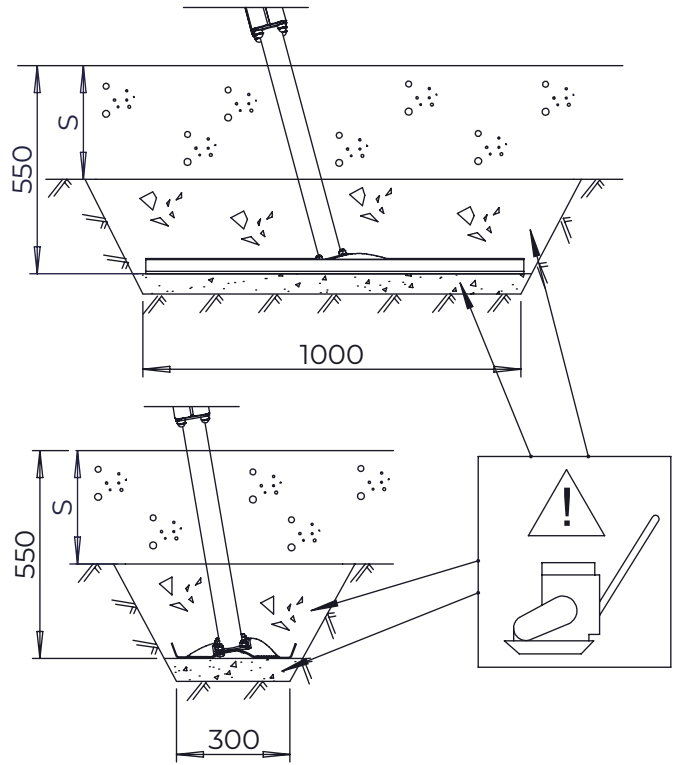
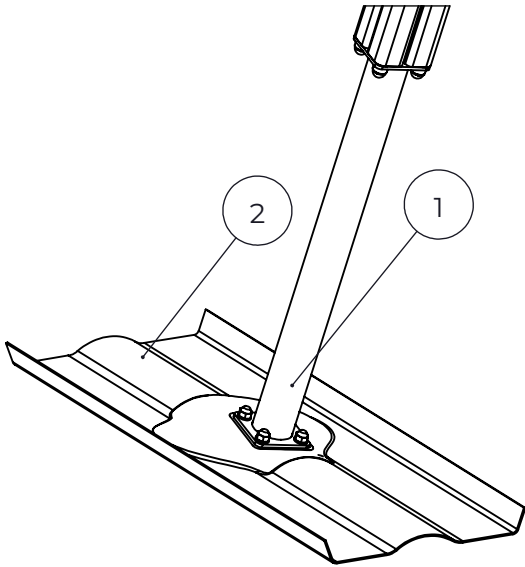
| NO. | ITEM CODE | | | QTY. |
|-----|-----------|---------------|-------|------|
| 1 | 702286 | PRINTED LABEL | 65x65 | 1 |
| 2 | 980114 | SCREW | Ø4x20 | 4 |



| NO. | ITEM CODE | | | QTY. |
|-----|-----------|------------------|----------------|------|
| 1 | 909519 | FOUNDATION PLATE | 380 x 380 x 45 | 1 |
| 2 | 909639 | BOLT | M10x25 | 4 |
| 3 | 909638 | WASHER | Ø20 / 10.5 | 8 |
| 4 | 909637 | NUT | M10 | 4 |
| 5 | 905104 | OUTSIDE PLUG | M10 | 4 |
| 6 | 909511 | FOUNDATION TUBE | 90x90x650 | 1 |



| NO. | ITEM CODE | | | QTY. |
|-----|-----------|------------------|------------|------|
| 1 | 909511 | FOUNDATION TUBE | 90x90x650 | 1 |
| 2 | 909507 | FOUNDATION PLATE | | 1 |
| 3 | 909638 | WASHER | Ø20 / 10.5 | 8 |
| 4 | 909639 | BOLT | M10x25 | 4 |
| 5 | 909637 | NUT | M10 | 4 |
| 6 | 905104 | OUTSIDE PLUG | M10 | 4 |



| NO. | ITEM CODE | | | QTY. |
|-----|-----------|------------------|------------|------|
| 1 | 909511 | FOUNDATION TUBE | 90x90x650 | 1 |
| 2 | 909508 | FOUNDATION PLATE | | 1 |
| 3 | 909638 | WASHER | Ø20 / 10.5 | 8 |
| 4 | 909639 | BOLT | M10x25 | 4 |
| 5 | 909637 | NUT | M10 | 4 |
| 6 | 905104 | OUTSIDE PLUG | M10 | 4 |