

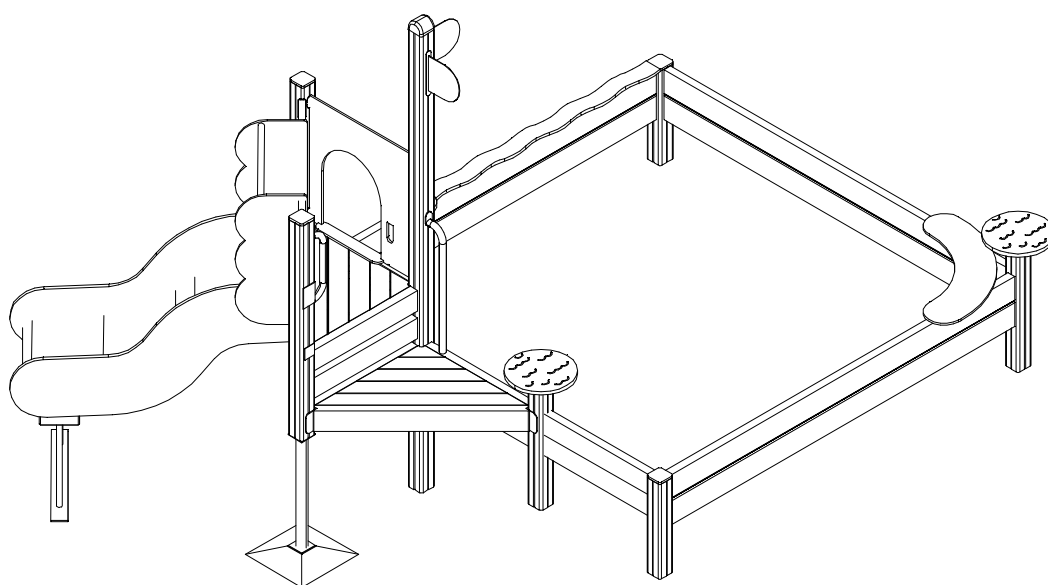


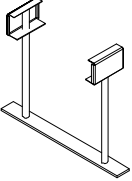


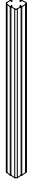
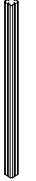
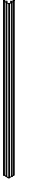

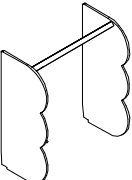

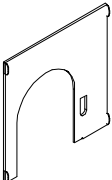

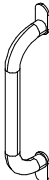

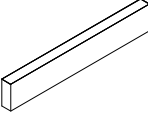





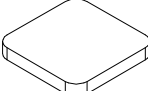

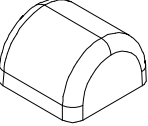





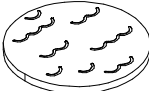





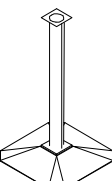
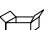

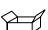


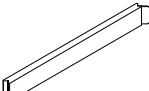

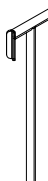









PRIME

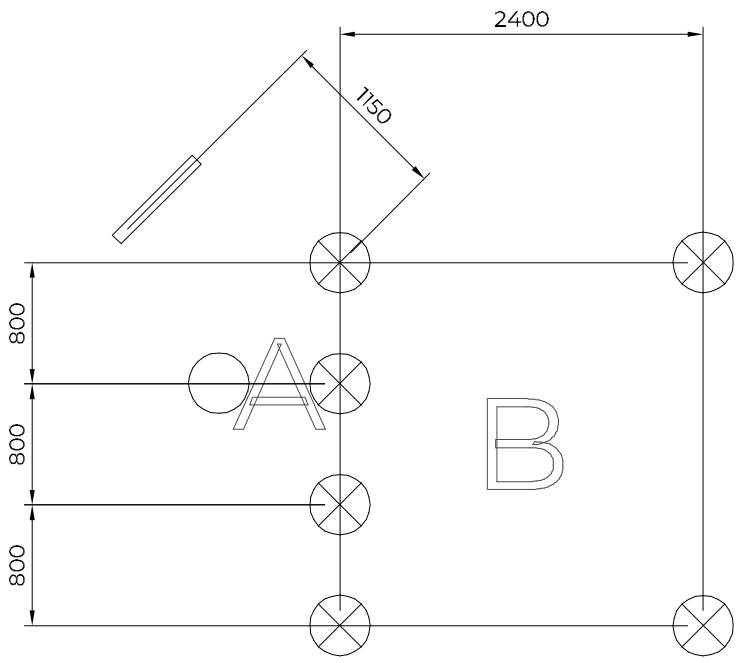
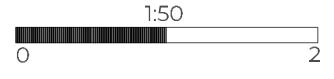
ASENNUSOHJE
MONTERINGSANSVISNING
INSTALLATION INSTRUCTION
AUFBAUANLEITUNG
NOTICE D'INSTALLATION

DATE: 20.1.2026

F24606M

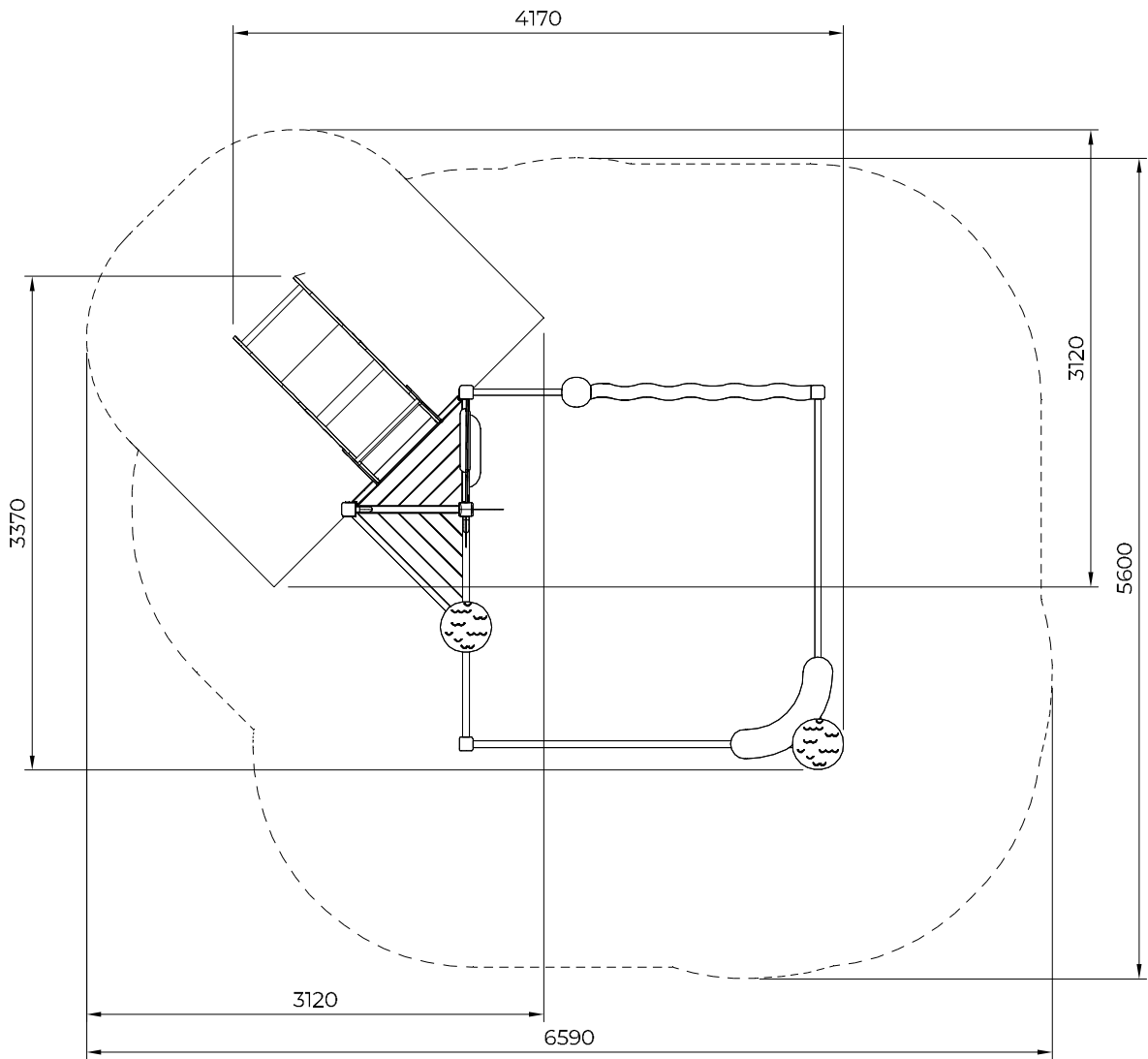
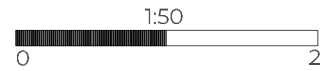


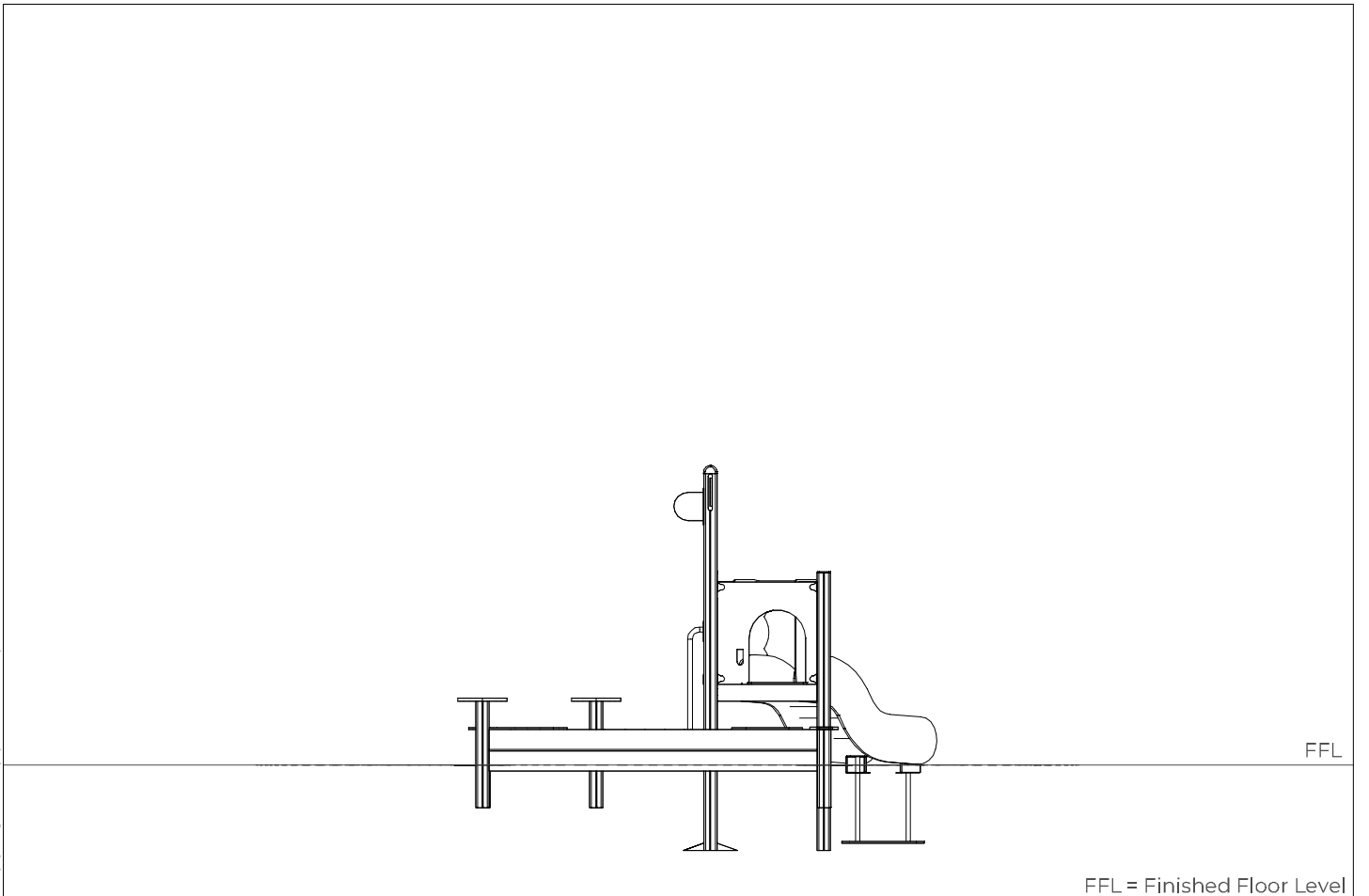
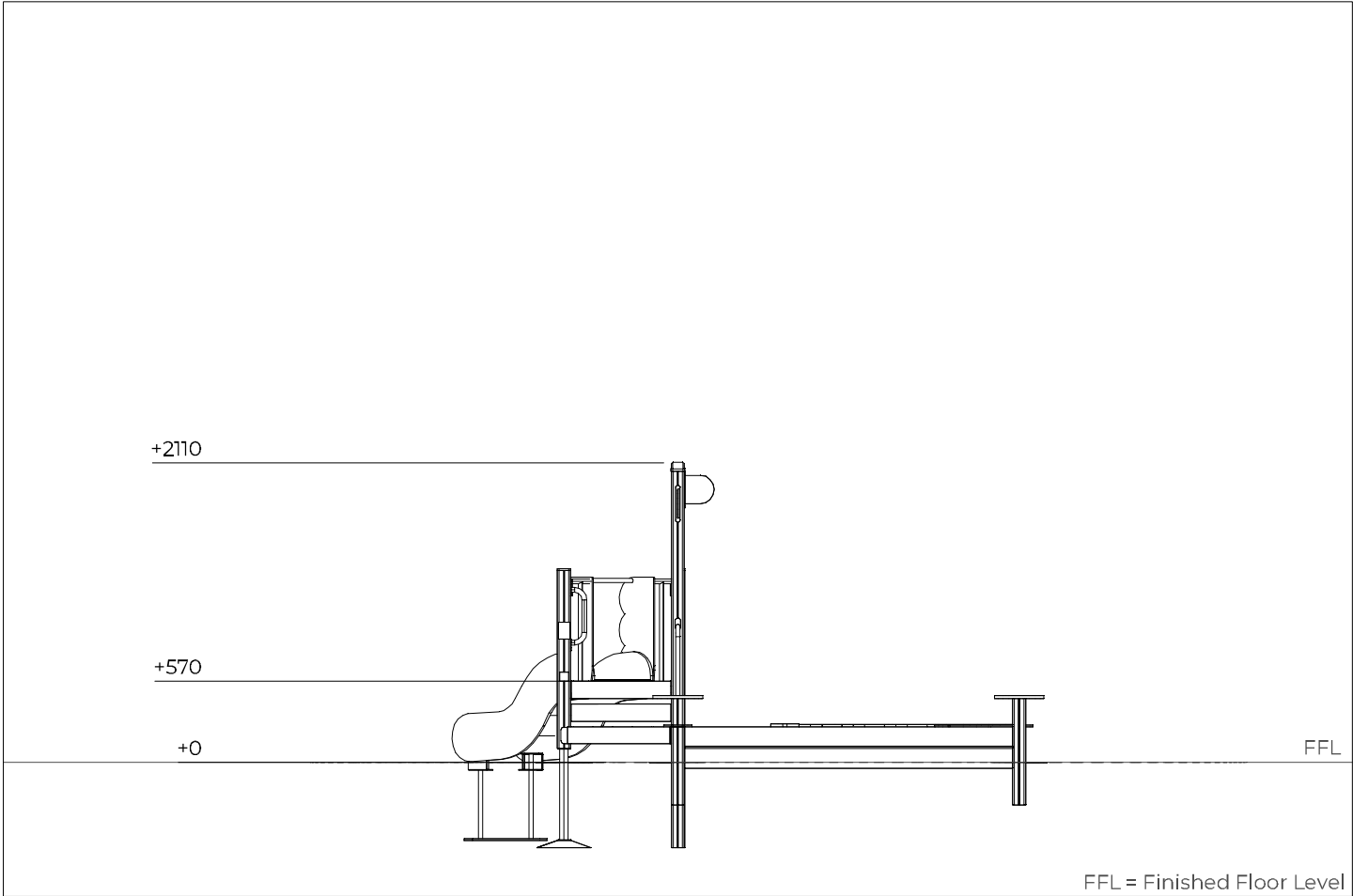
  704431	PCS 1	 L 750	PCS 2	 L 1250	PCS 1	 L 1950	PCS 1	 L 2650	PCS 1	 L 550	PCS 2
  712472	PCS 1	  712681	PCS 1	  712730	PCS 1	 L 704  712747-001	PCS 10	  712751	PCS 2	  712754	PCS 1
  712760	PCS 4	  712788	PCS 1	  712797	PCS 1	  712798	PCS 1	  712845	PCS 2	  712879	PCS 1
 L 1500  712882	PCS 1	 L 700  712889	PCS 1	 L 2307  712924-001	PCS 3	  712941-001	PCS 2	 L 1030  712943-001	PCS 2	  712954	PCS 2
  713001	PCS 1	  713013	PCS 1	  713201	PCS 1	  712881	PCS 2		PCS		PCS
	PCS		PCS		PCS		PCS		PCS		PCS
	PCS		PCS		PCS		PCS		PCS		PCS

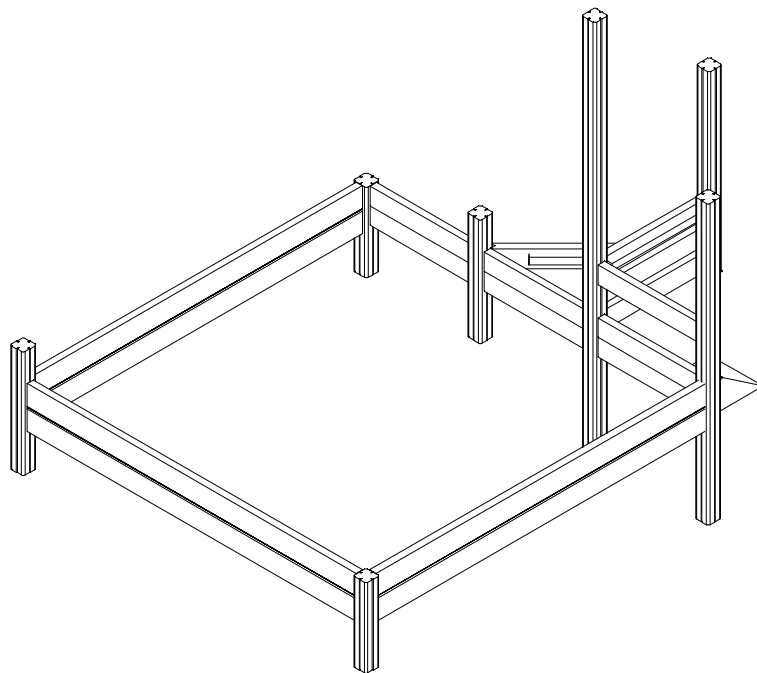
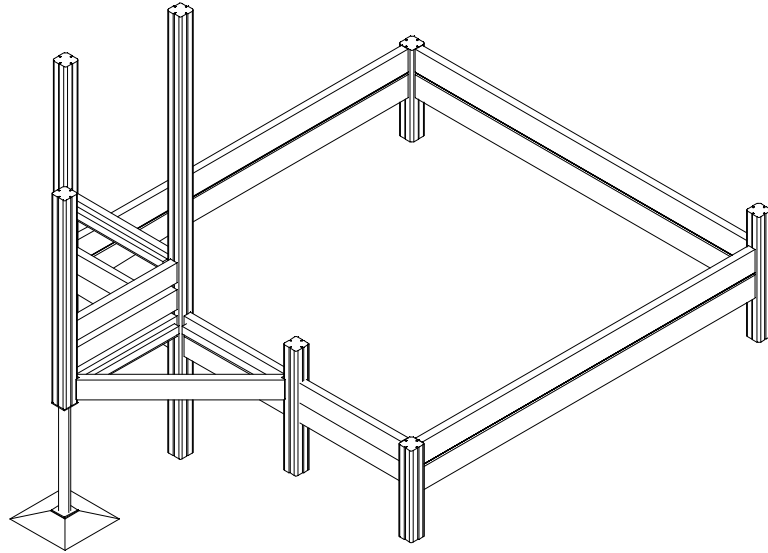


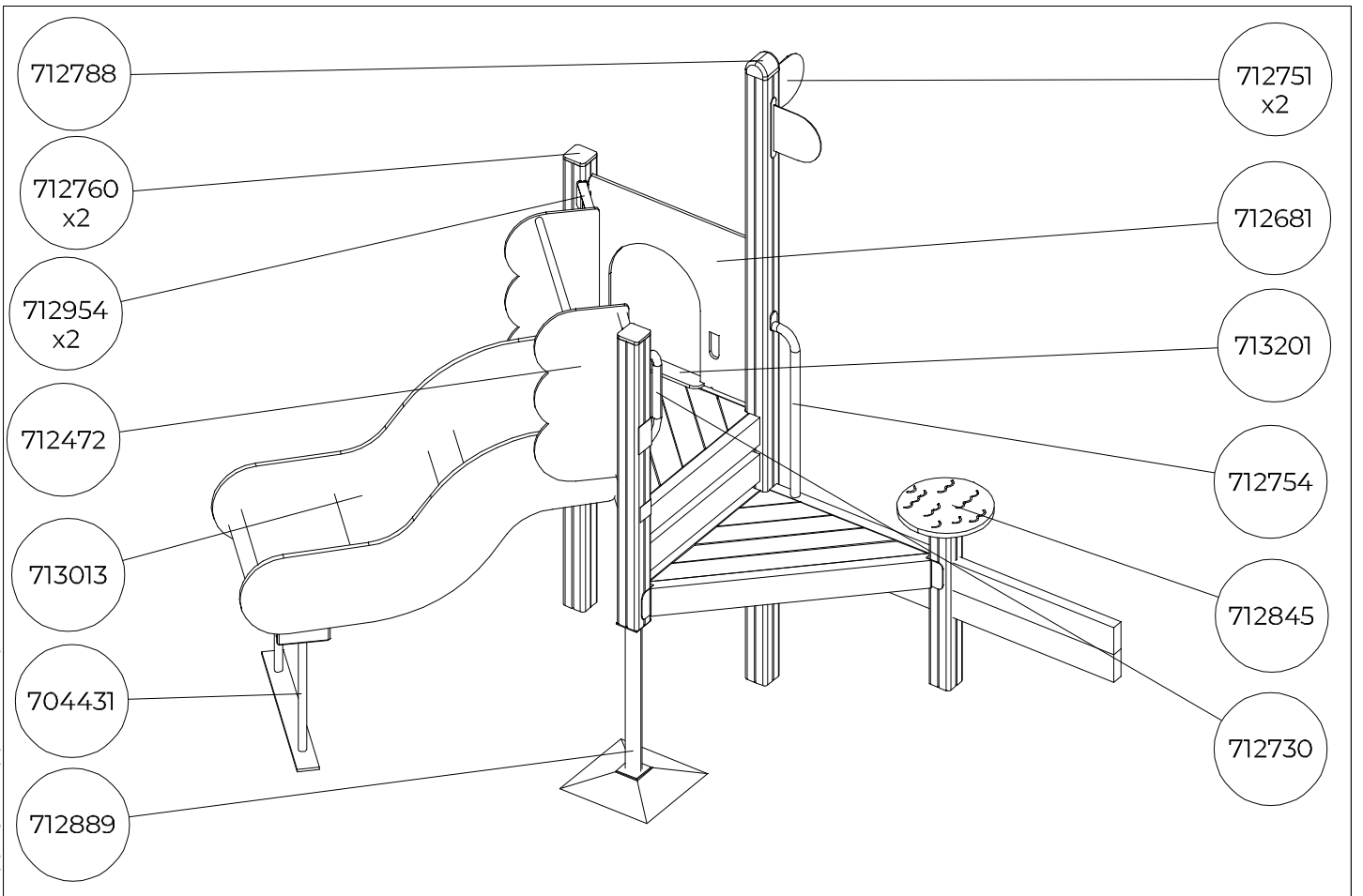
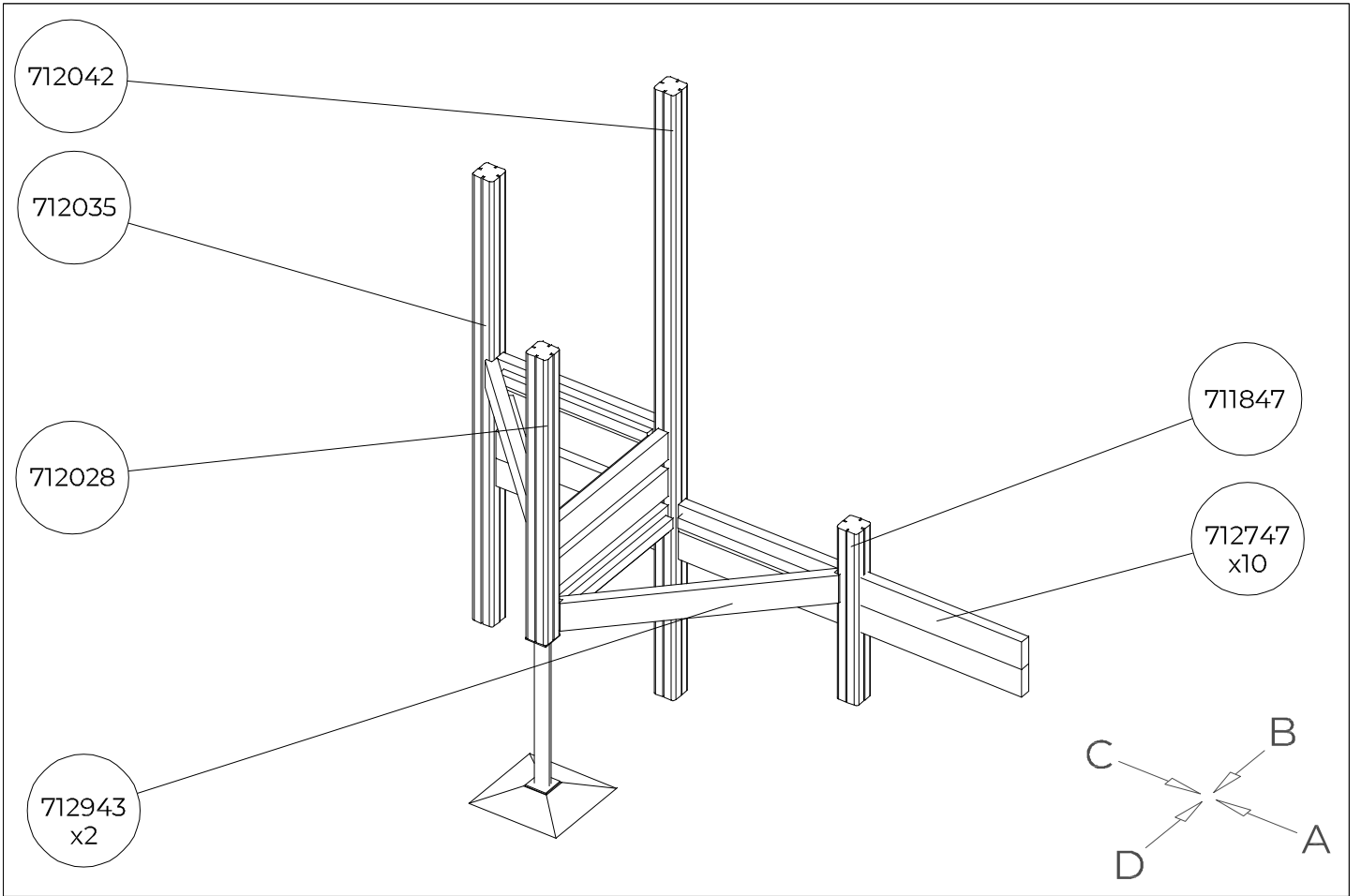
—— EN/AS Impact Area 6 m²

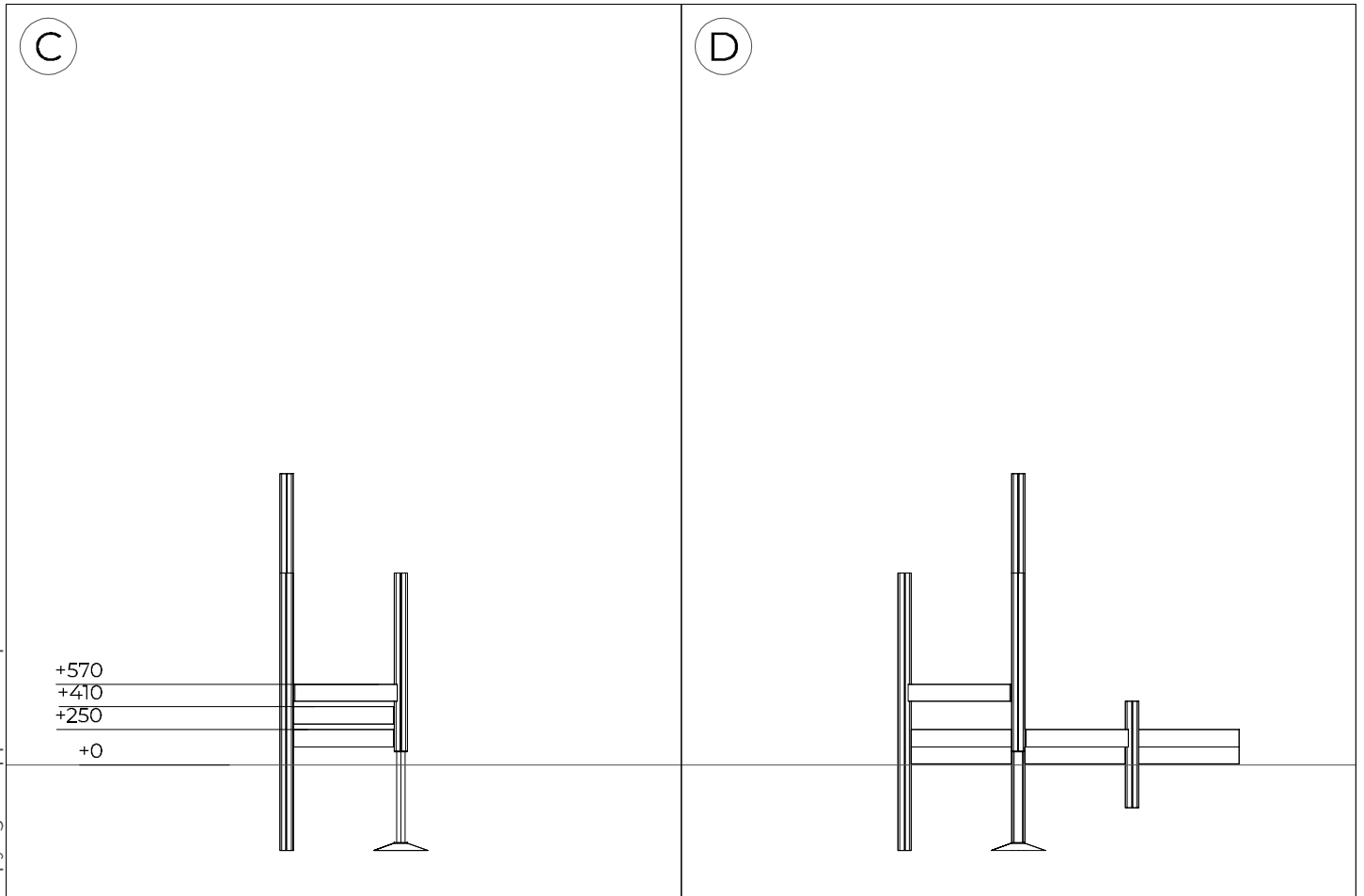
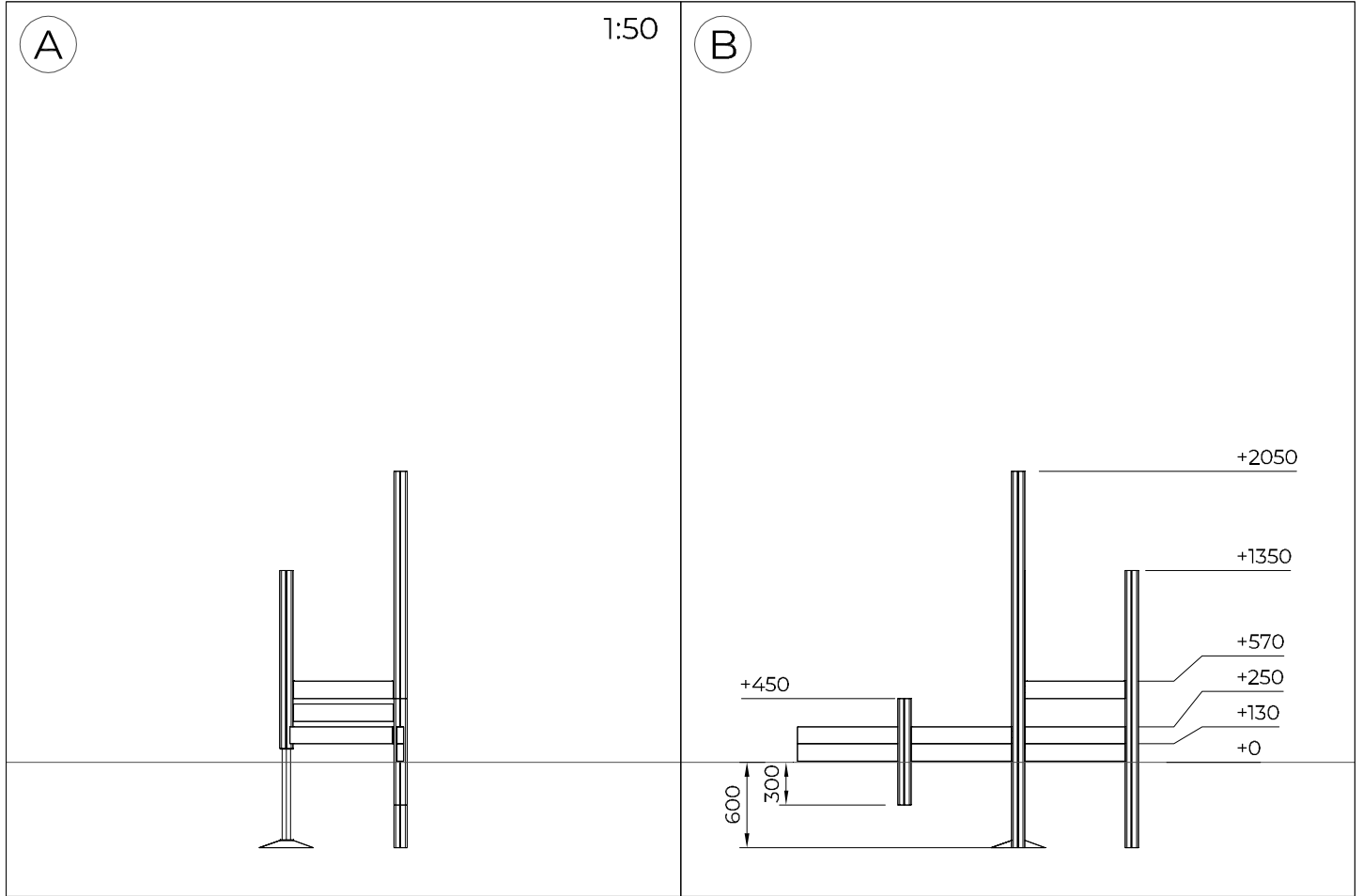
- - - - Falling Space 31 m²

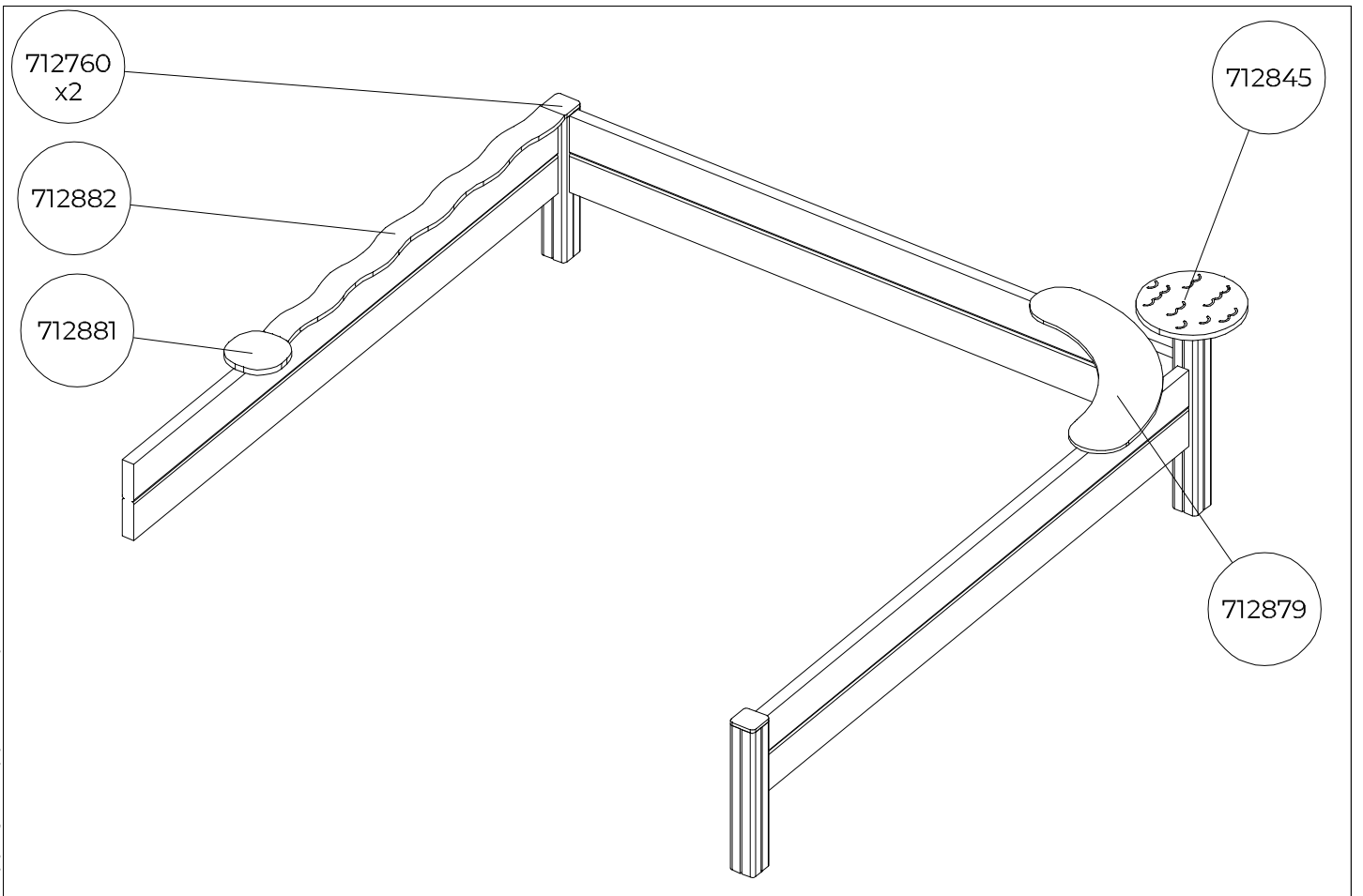
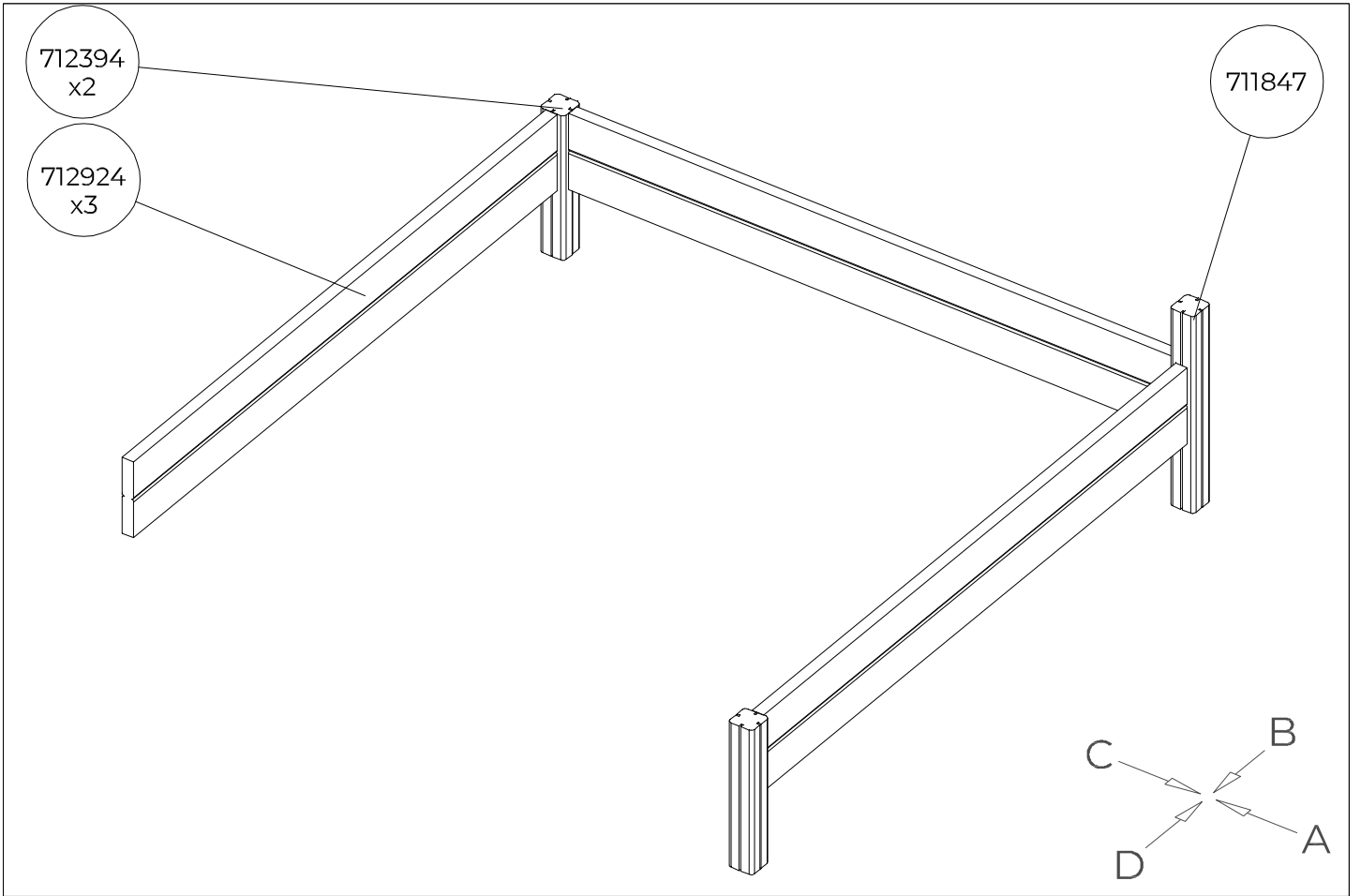








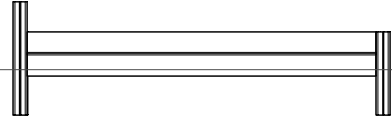
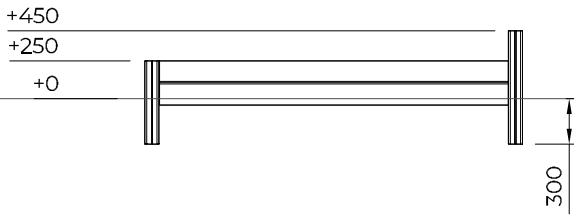




1:50

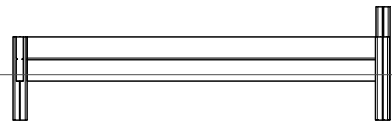
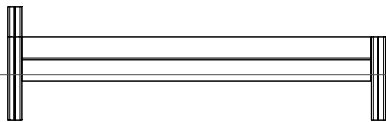
A

B

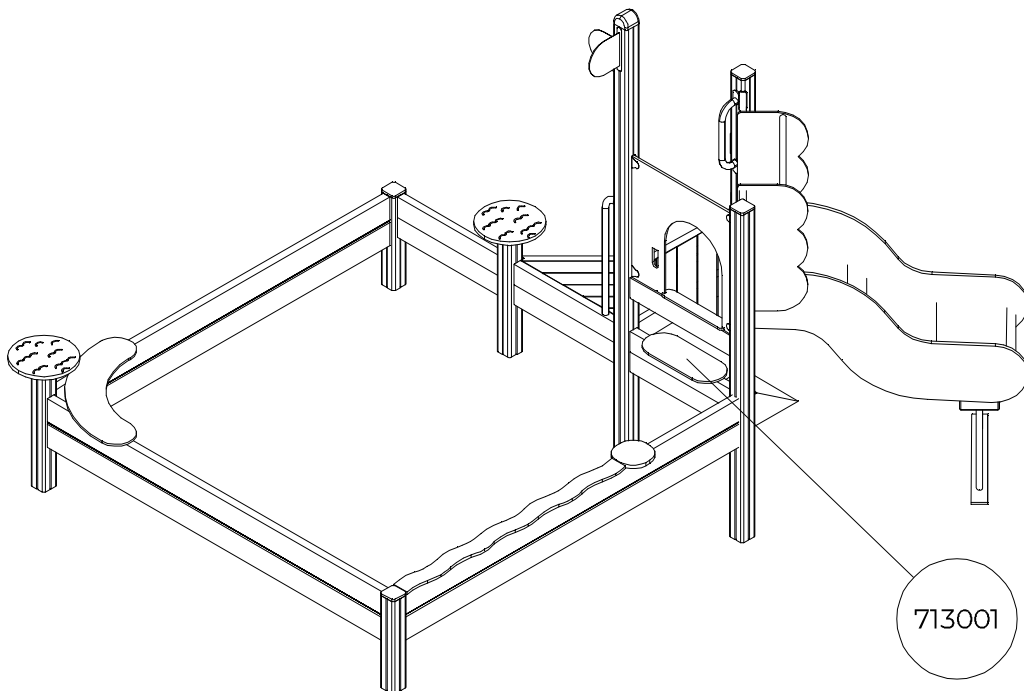
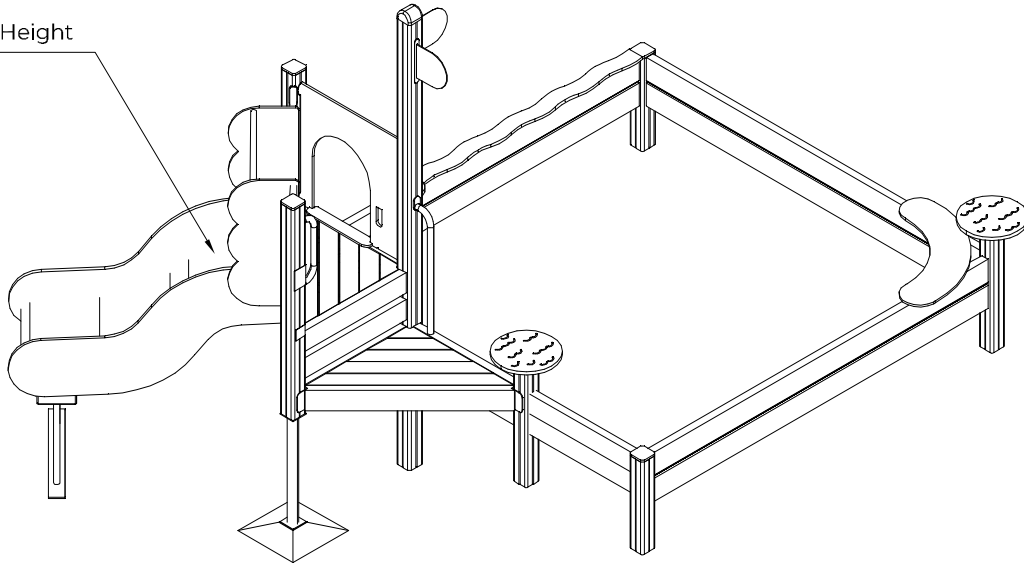


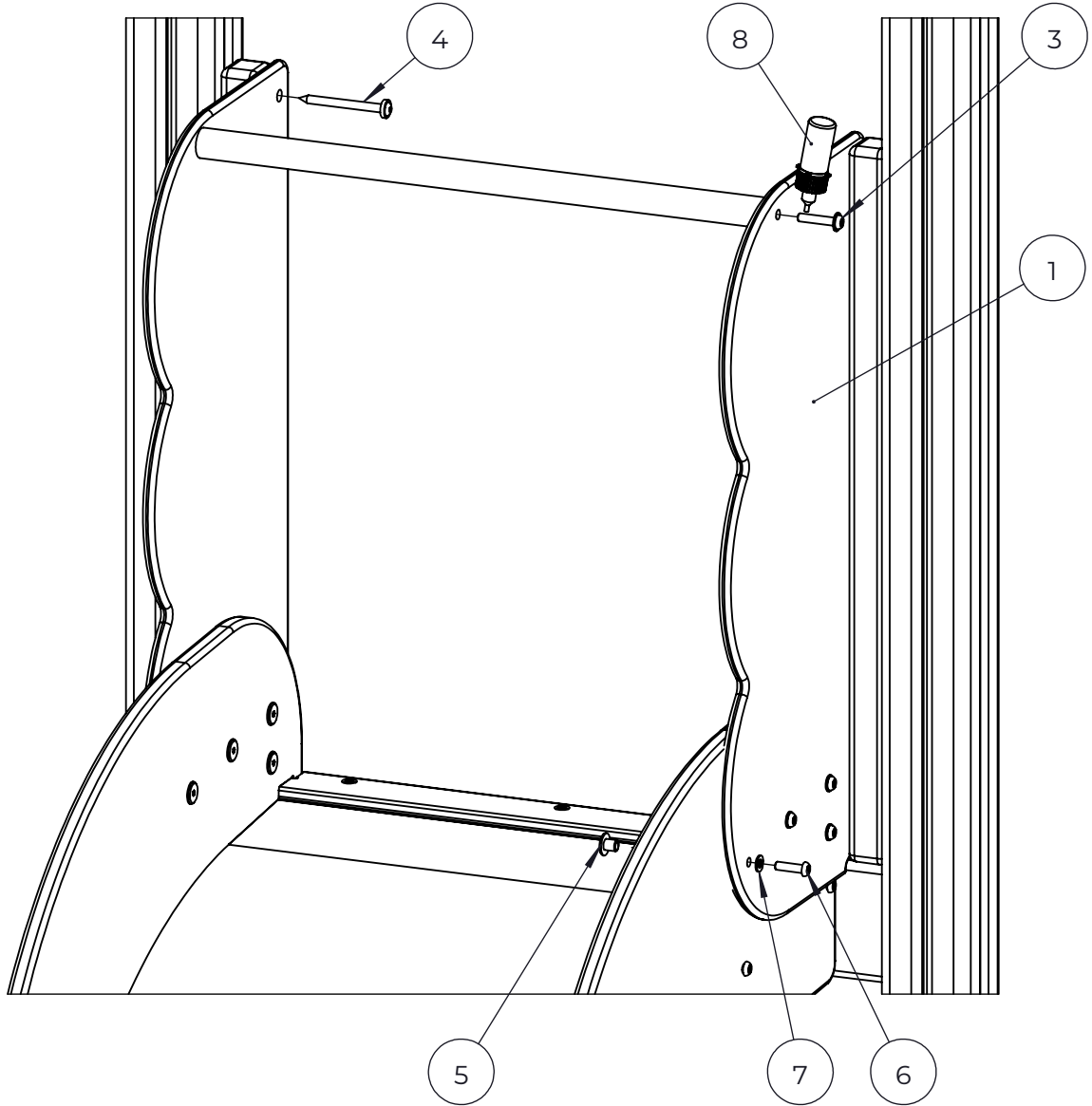
C

D

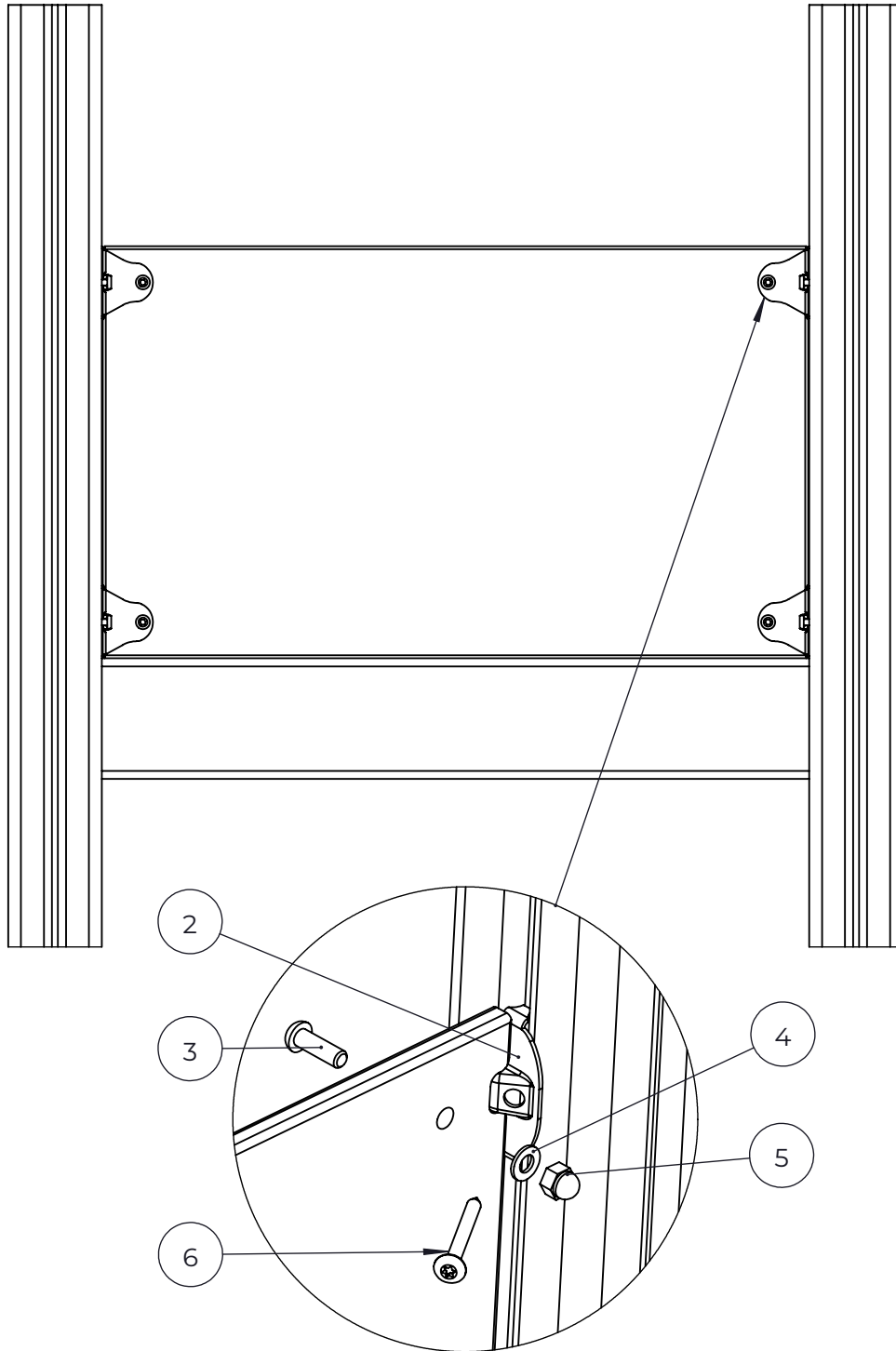


Max Falling Height

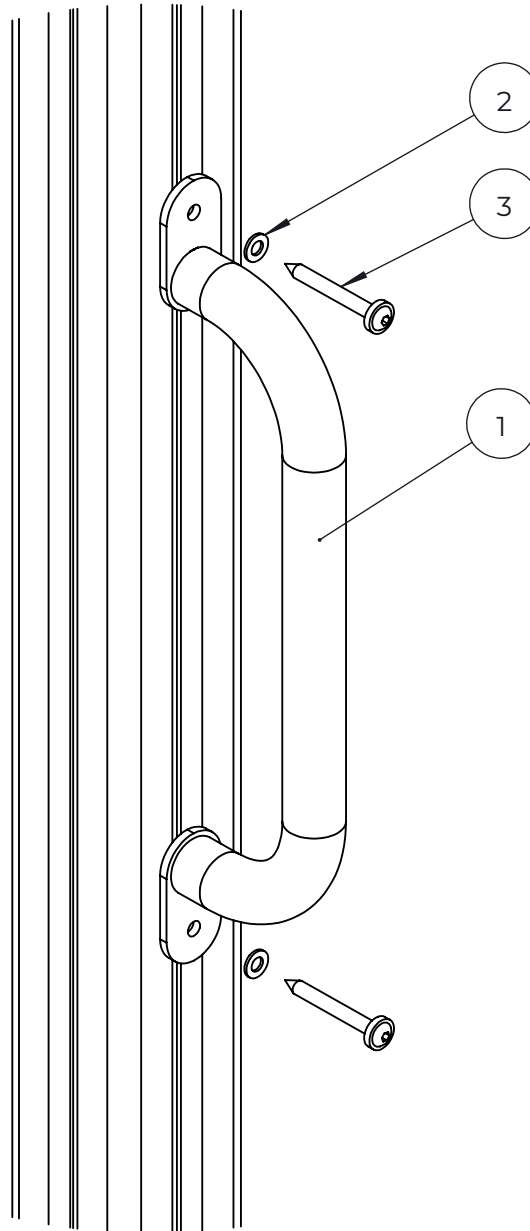




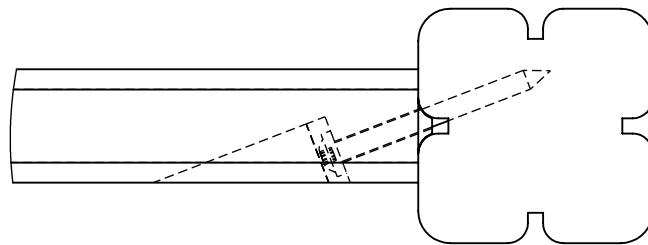
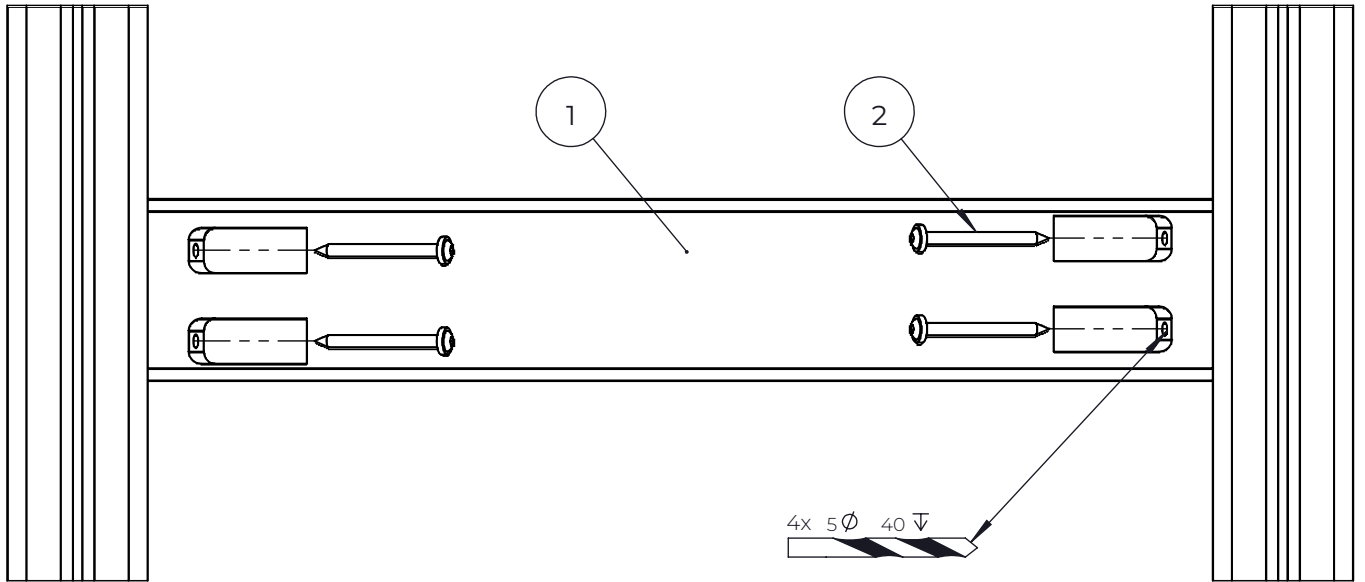
NO.	ITEM CODE			QTY.
1	711710	PLATE	12x343x747	2
2	914171	RAIL	Ø34x598	1
3	909876	ALLEN SCREW	M8x40	2
4	903093	SPECIAL SCREW	Ø8x90	2
5	914858	SPECIAL NUT	M8x12	8
6	909852	ALLEN SCREW	M8x30	8
7	909256	WASHER	Ø16/8.4x1.6	8
8	999561	THREAD GLUE HARD	10 g	1



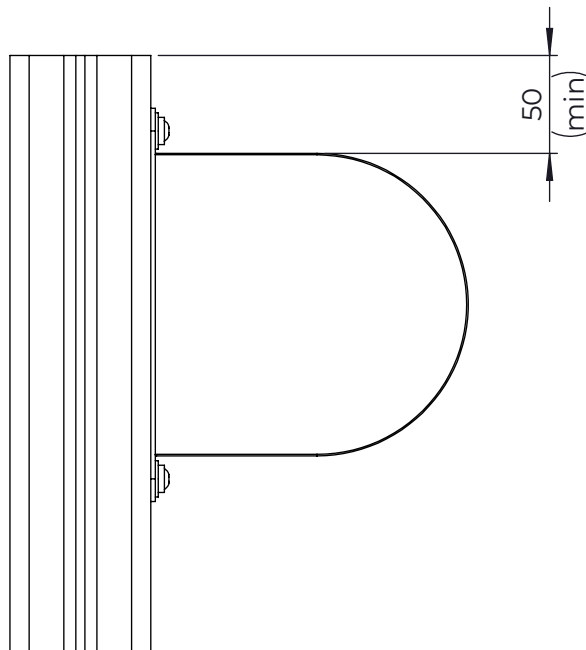
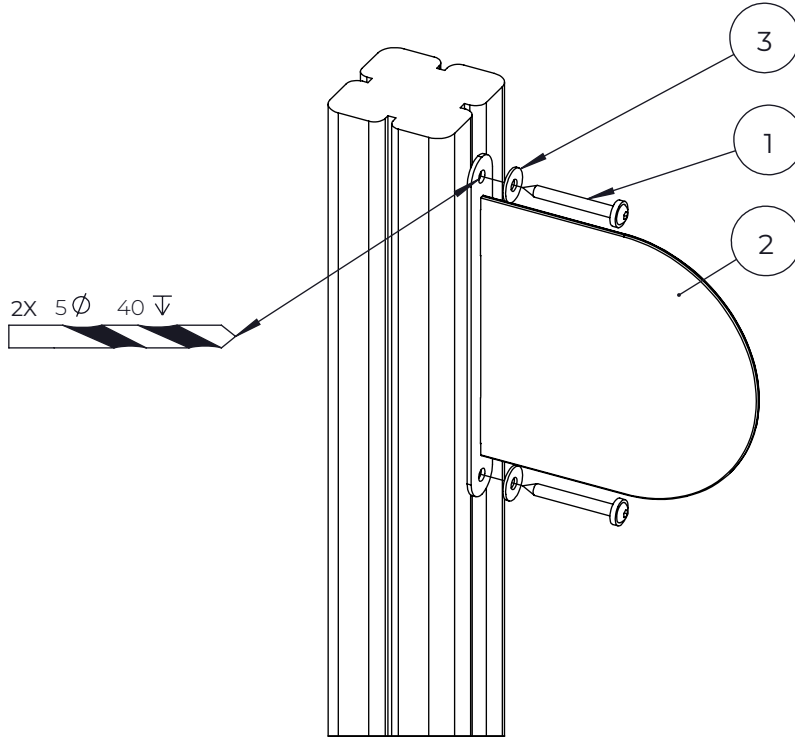
NO.	ITEM CODE			QTY.
2	903176	CLAMP		4
3	909850	ALLEN SCREW	M8x25	4
4	909256	WASHER	Ø16/8.4x1.6	4
5	909633	NUT	M8	4
6	980123	SPECIAL SCREW	Ø7x60	4



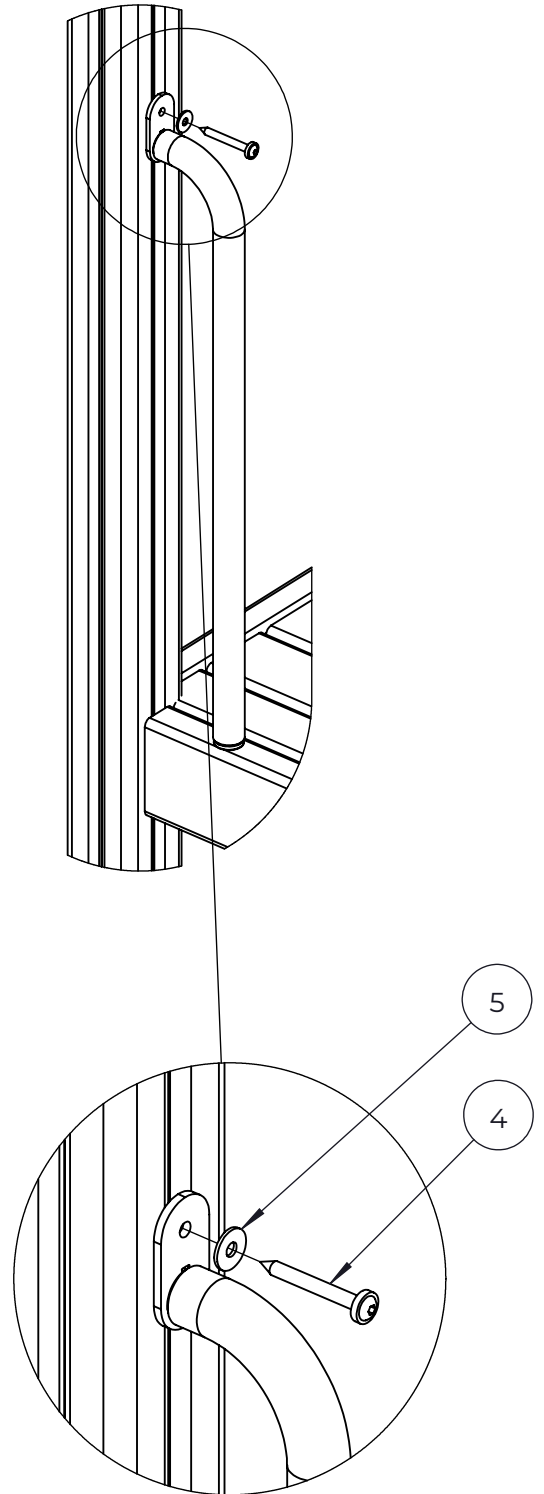
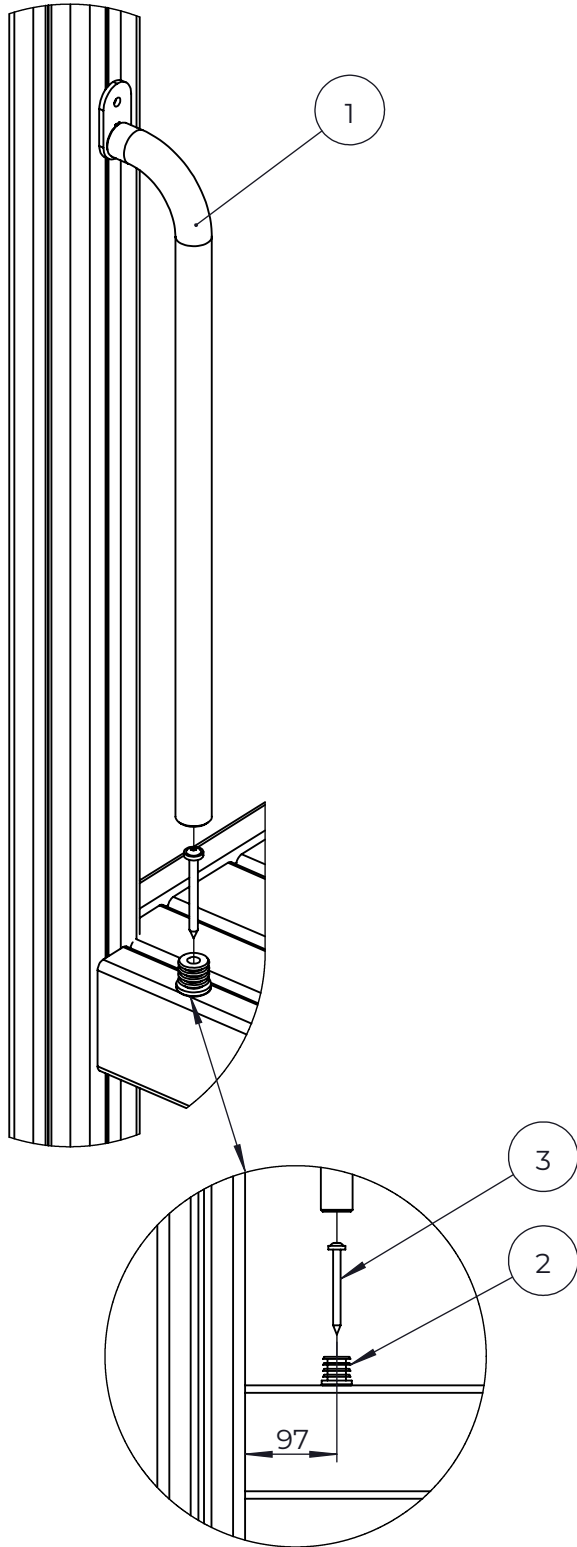
NO.	ITEM CODE			QTY.
1	914419	GRIP	40x119x490	1
2	909256	WASHER	Ø16/8.4x1.6	2
3	900240	SPECIAL SCREW	Ø8x70	2



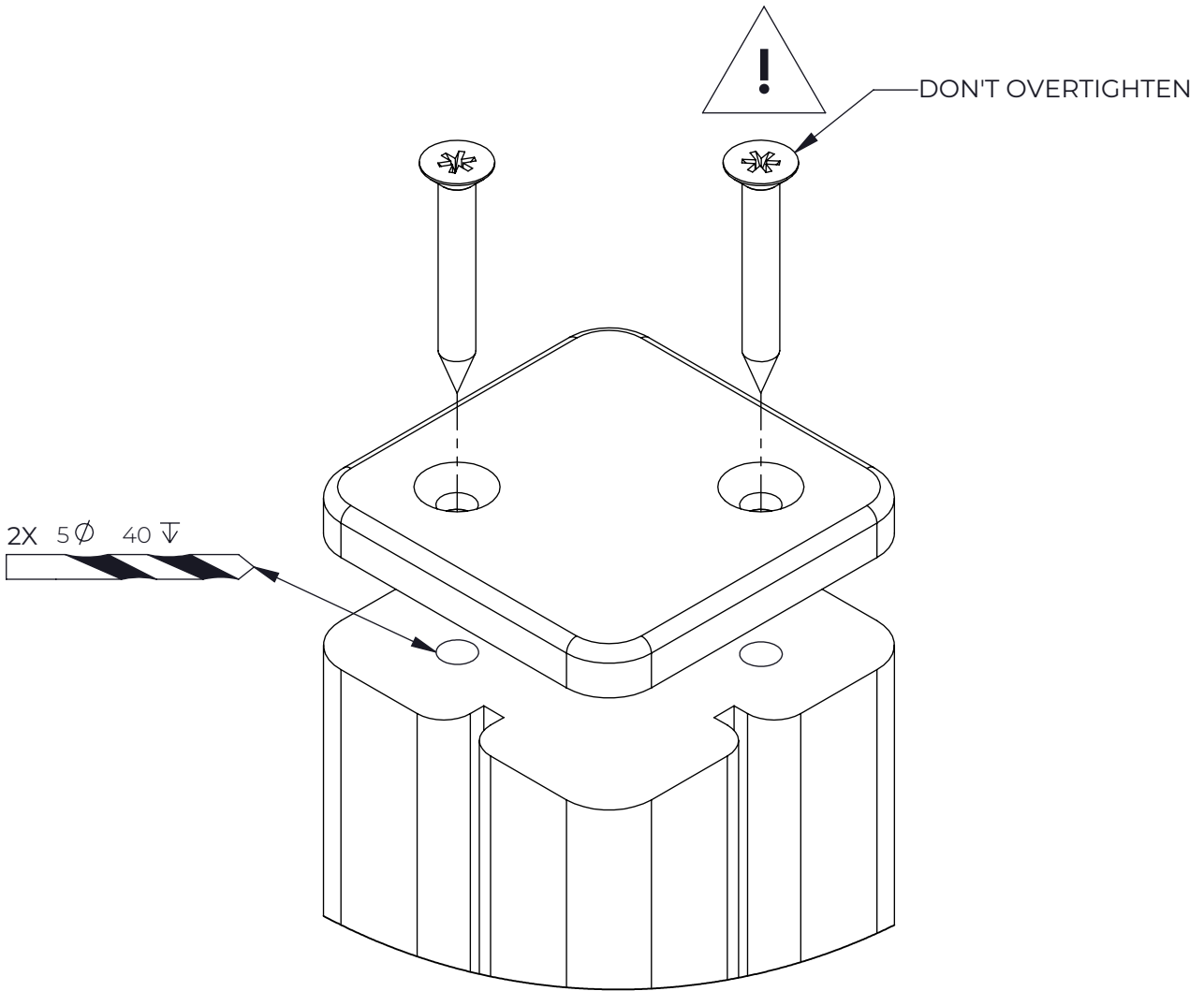
NO.	ITEM CODE			QTY.
1	712079	BOOM	45x120x715	1
2	903093	SPECIAL SCREW	Ø8x90	4



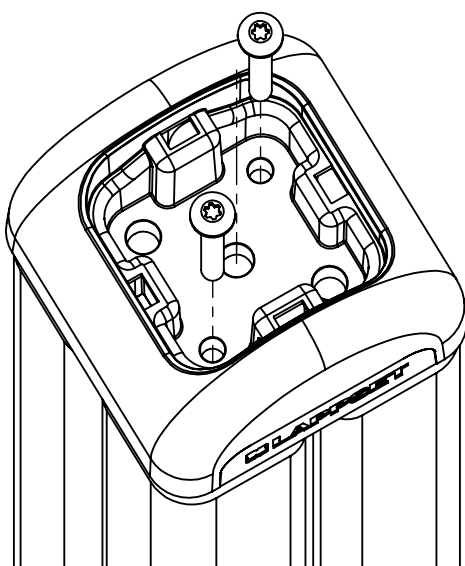
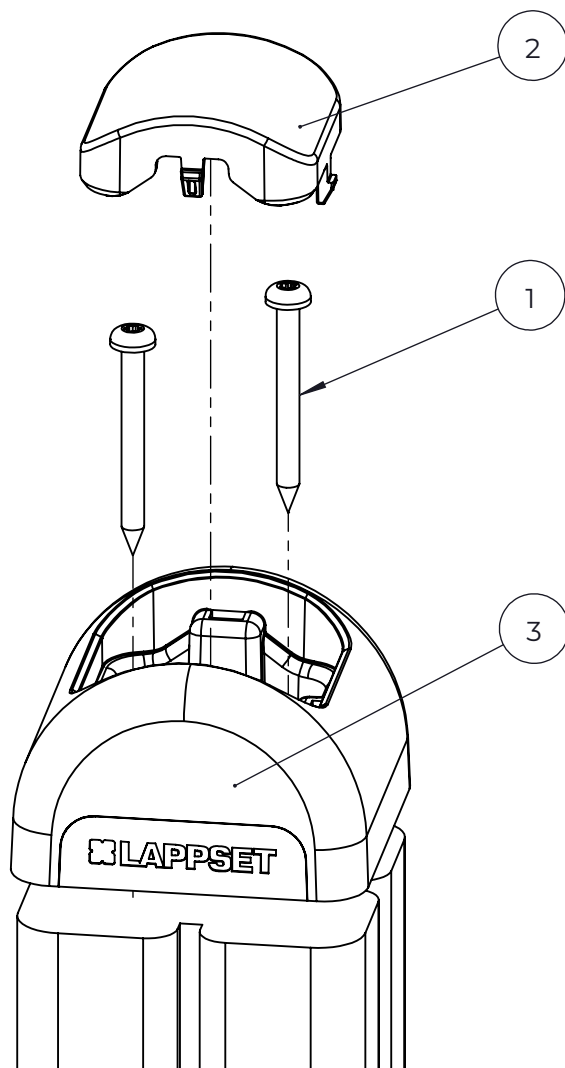
NO.	ITEM CODE			QTY.
1	900240	SPECIAL SCREW	Ø8x70	2
2	914264	STREAMER	30x217x260	1
3	980152	WASHER	Ø24/8.4x2	2



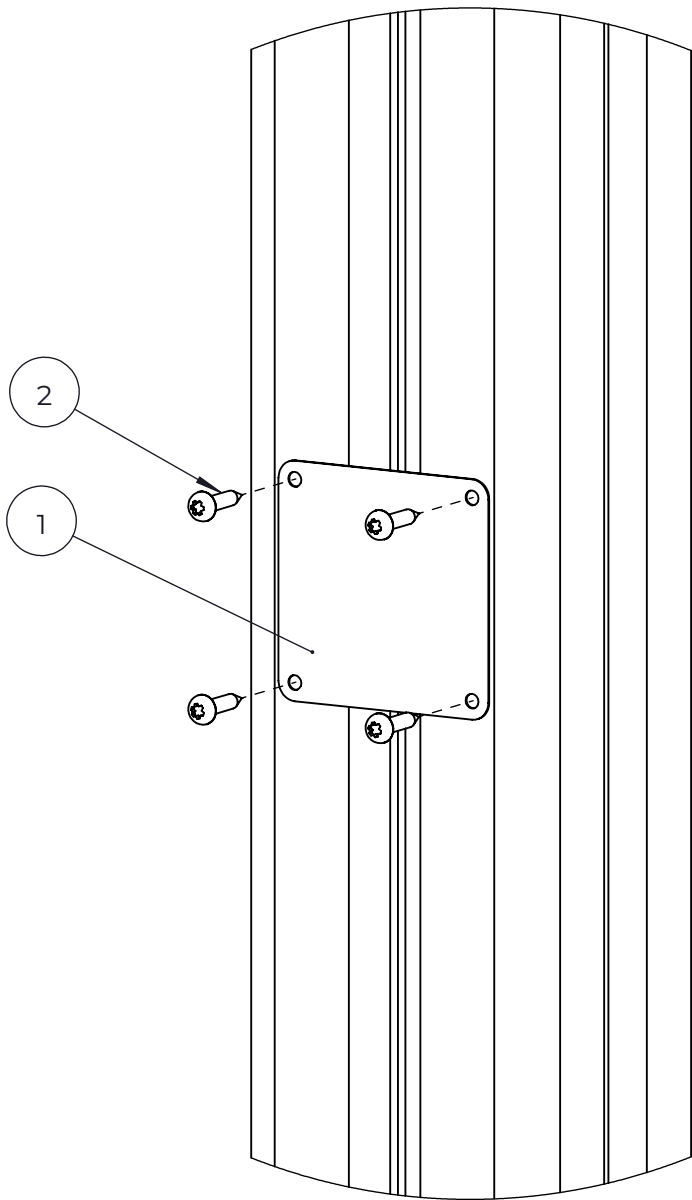
NO.	ITEM CODE			QTY.
1	914173	HAND GRIP	40x114x760	1
2	908057	CONNECTOR	Ø32/29-L5/30	1
3	903093	SPECIAL SCREW	Ø8x90	1
4	900240	SPECIAL SCREW	Ø8x70	1
5	980152	WASHER	Ø24/8.4x2	1



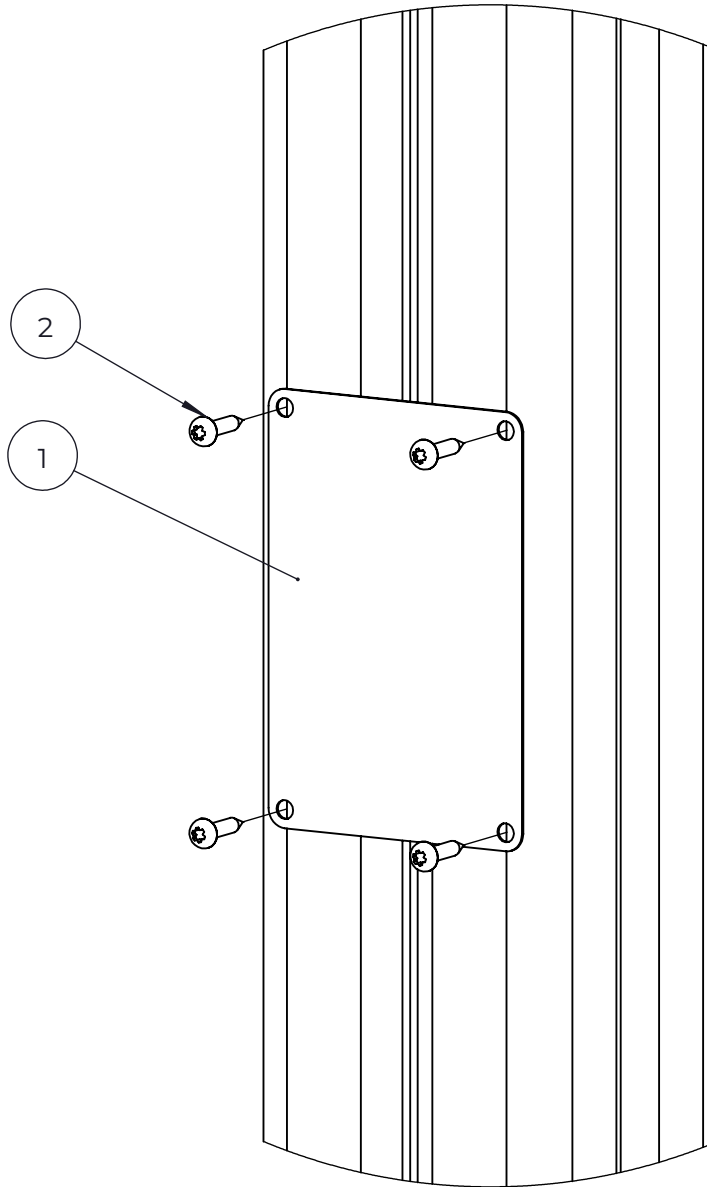
NO.	ITEM CODE			QTY.
1	906630	SCREW	Ø8x60	2
2	711807	TOP HAT	93x93x12	1



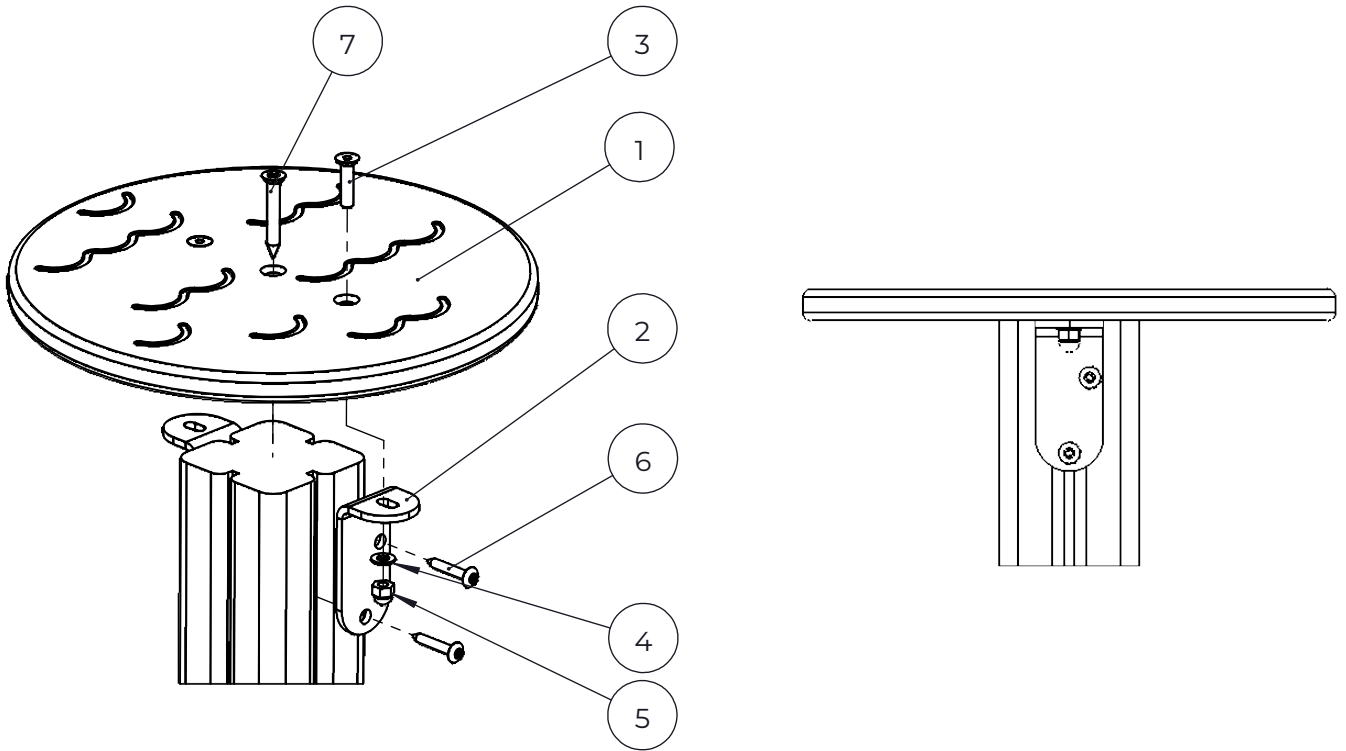
NO.	ITEM CODE			QTY.
1	980131	SCREW	Ø6x60	2
2	915379	TOP HAT COVER	67,5x67,6x34	1
3	915378	TOP HAT BASE	95x95x60	1



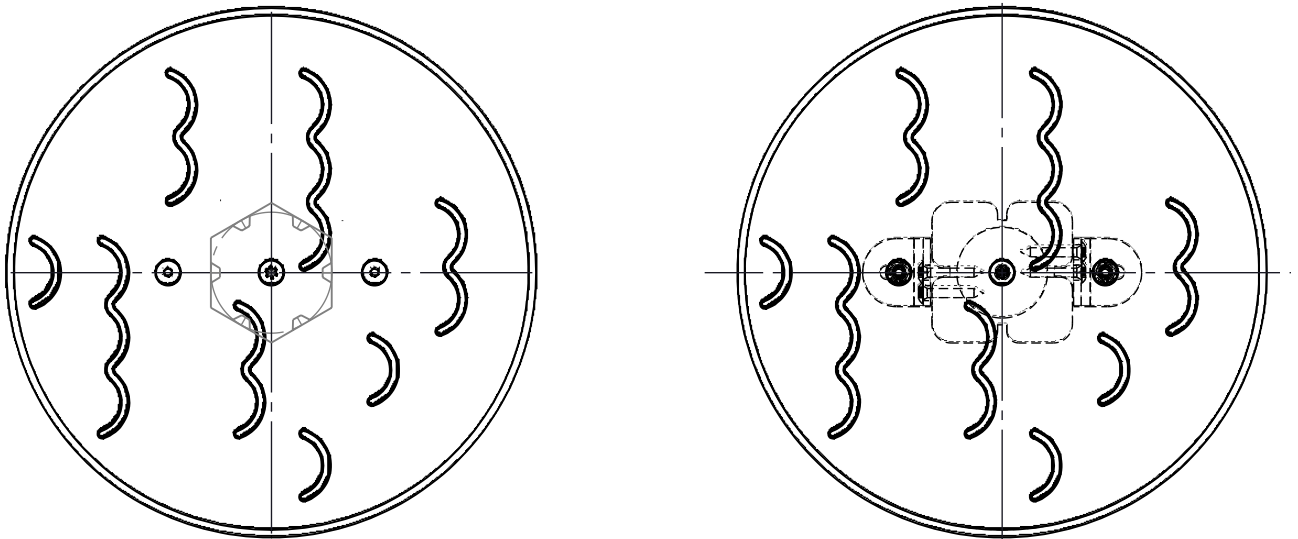
NO.	ITEM CODE			QTY.
1	702286	PRINTED LABEL	65x65	1
2	980114	SCREW	Ø4x20	4



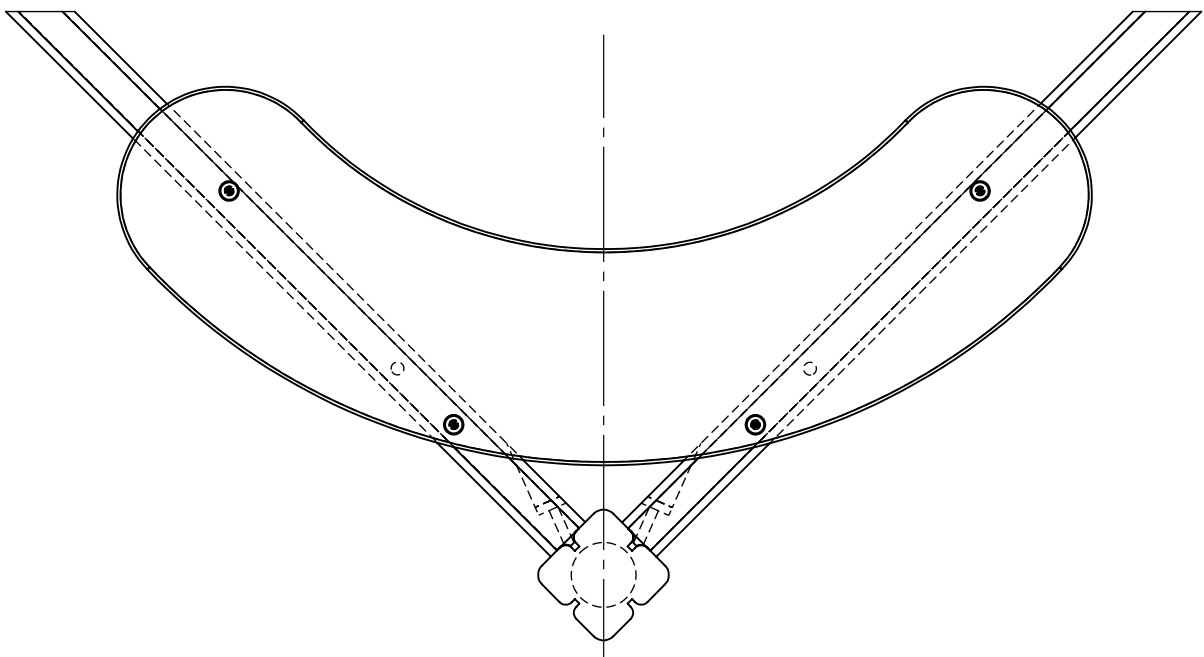
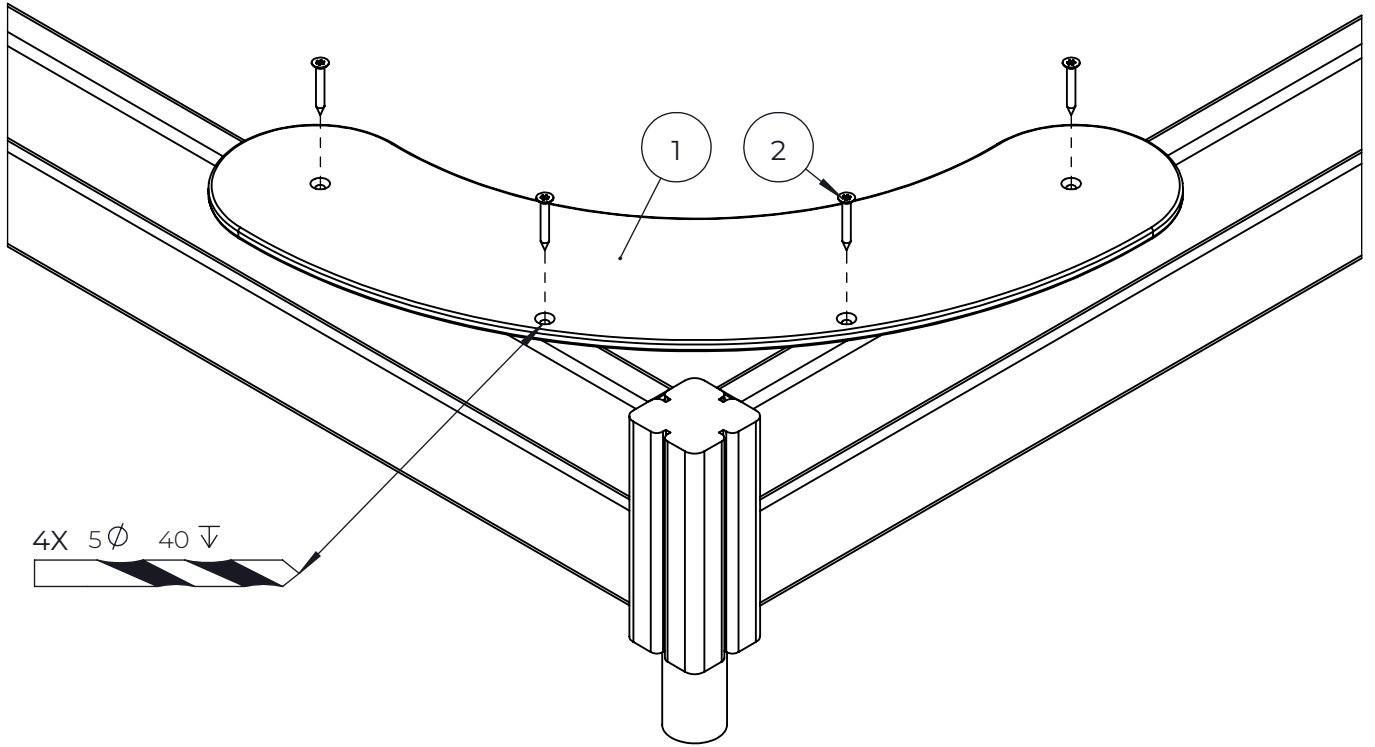
NO.	ITEM CODE			QTY.
1	702339	PRINTED LABEL	118x78	1
2	980114	SCREW	Ø4x20	4



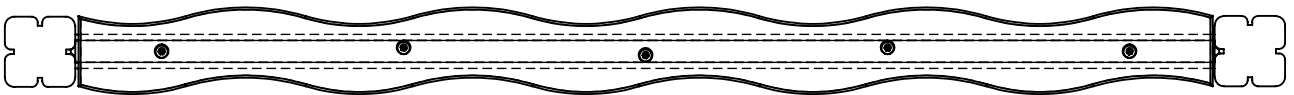
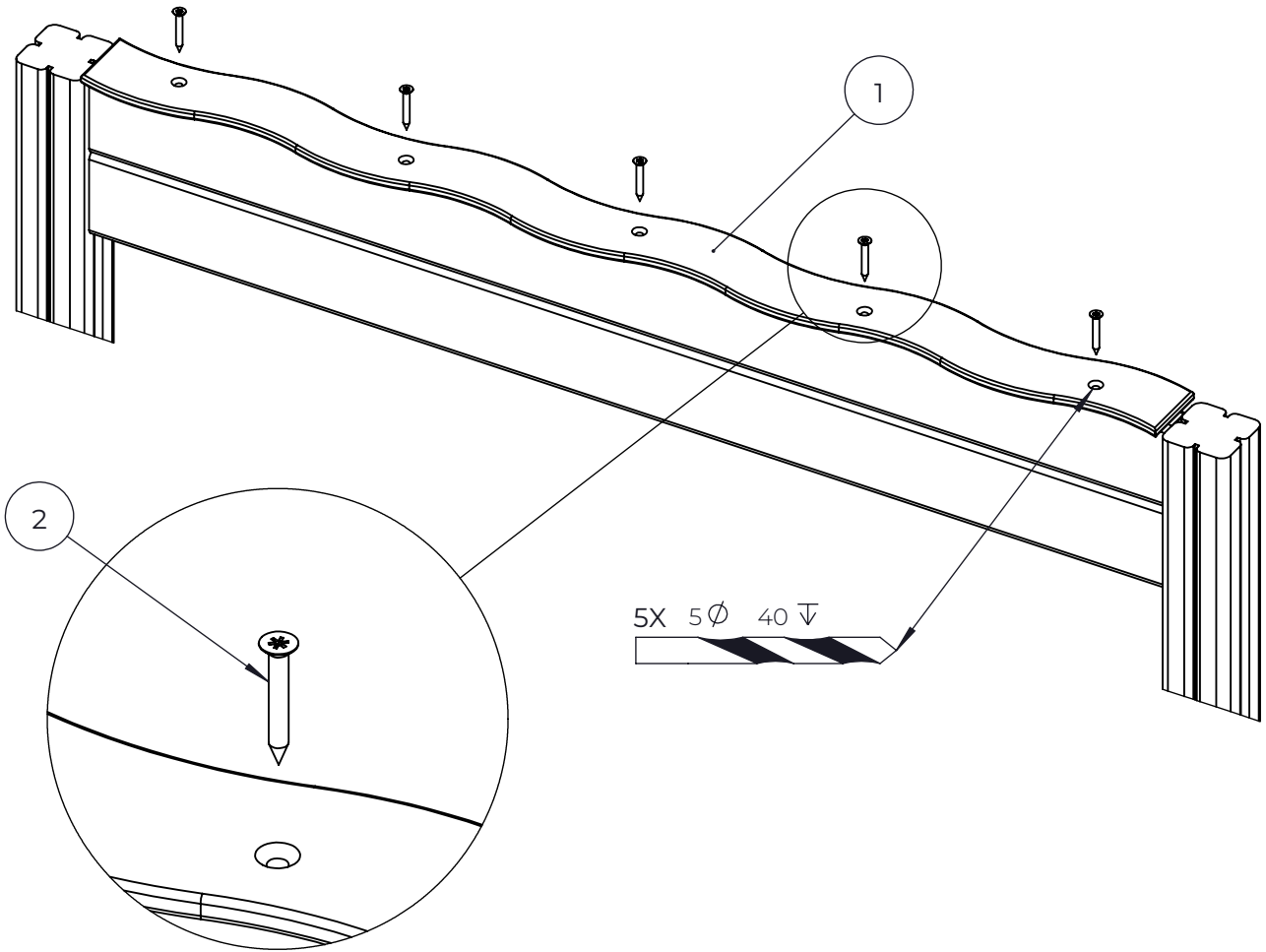
CENTER PLATE TO POST:



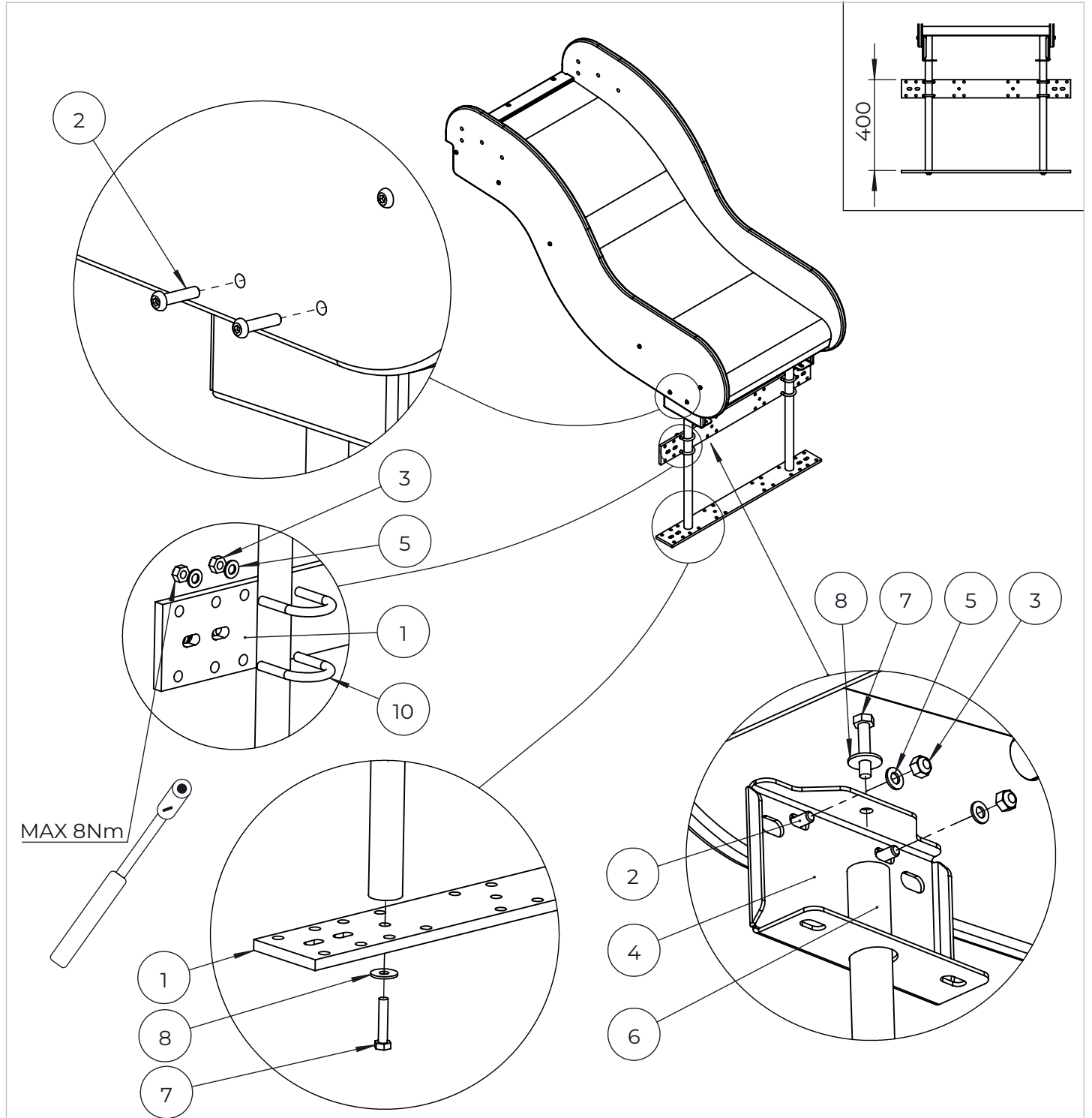
NO.	ITEM CODE			QTY.
1	711704	STEP	Ø350x20	1
2	915612-510	ANGLE PIECE	5x45/35x100 90°	2
3	905857	COUNTERSUNK SCREW	M8x35	2
4	909256	WASHER	Ø16/8.4x1.6	2
5	909633	NUT	M8	2
6	980128	SPECIAL SCREW	Ø7x40	4
7	906630	SCREW	Ø8x60	1



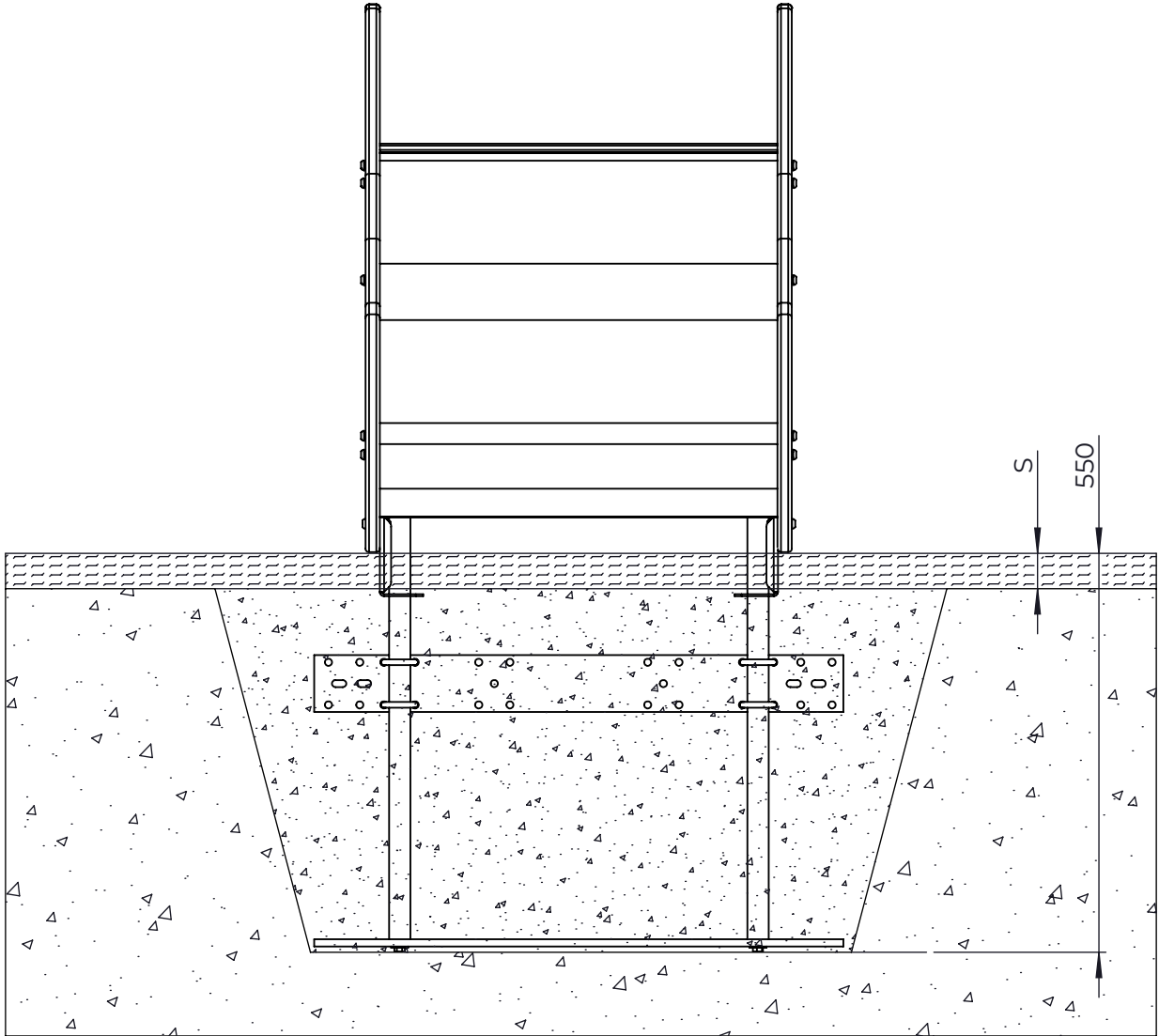
NO.	ITEM CODE			QTY.
1	711853	SEAT	12x700x700	1
2	906630	SCREW	Ø8x60	4

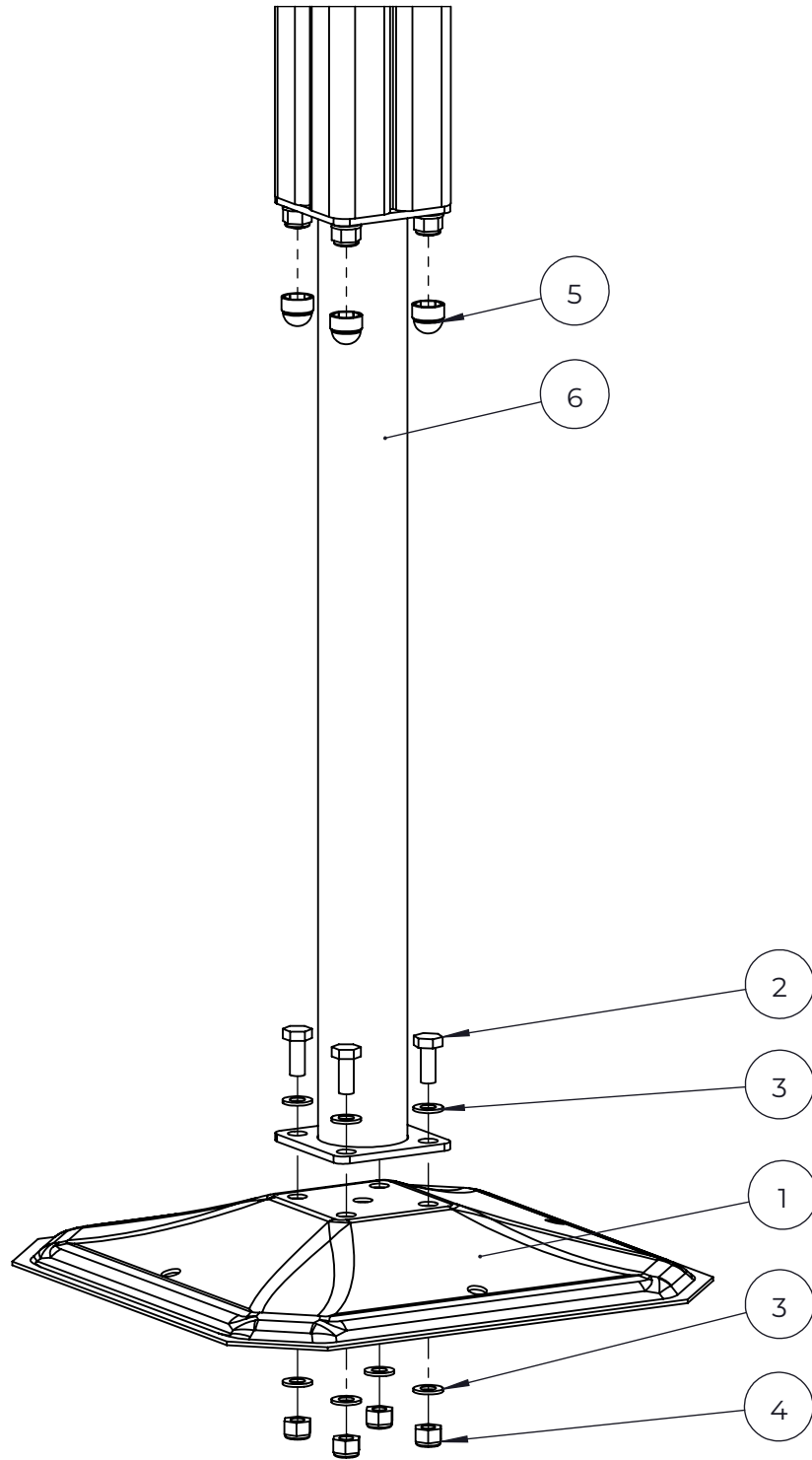


NO.	ITEM CODE			QTY.
1	712794	PLATE	12x114x1500	1
2	906630	SCREW	Ø8x60	5

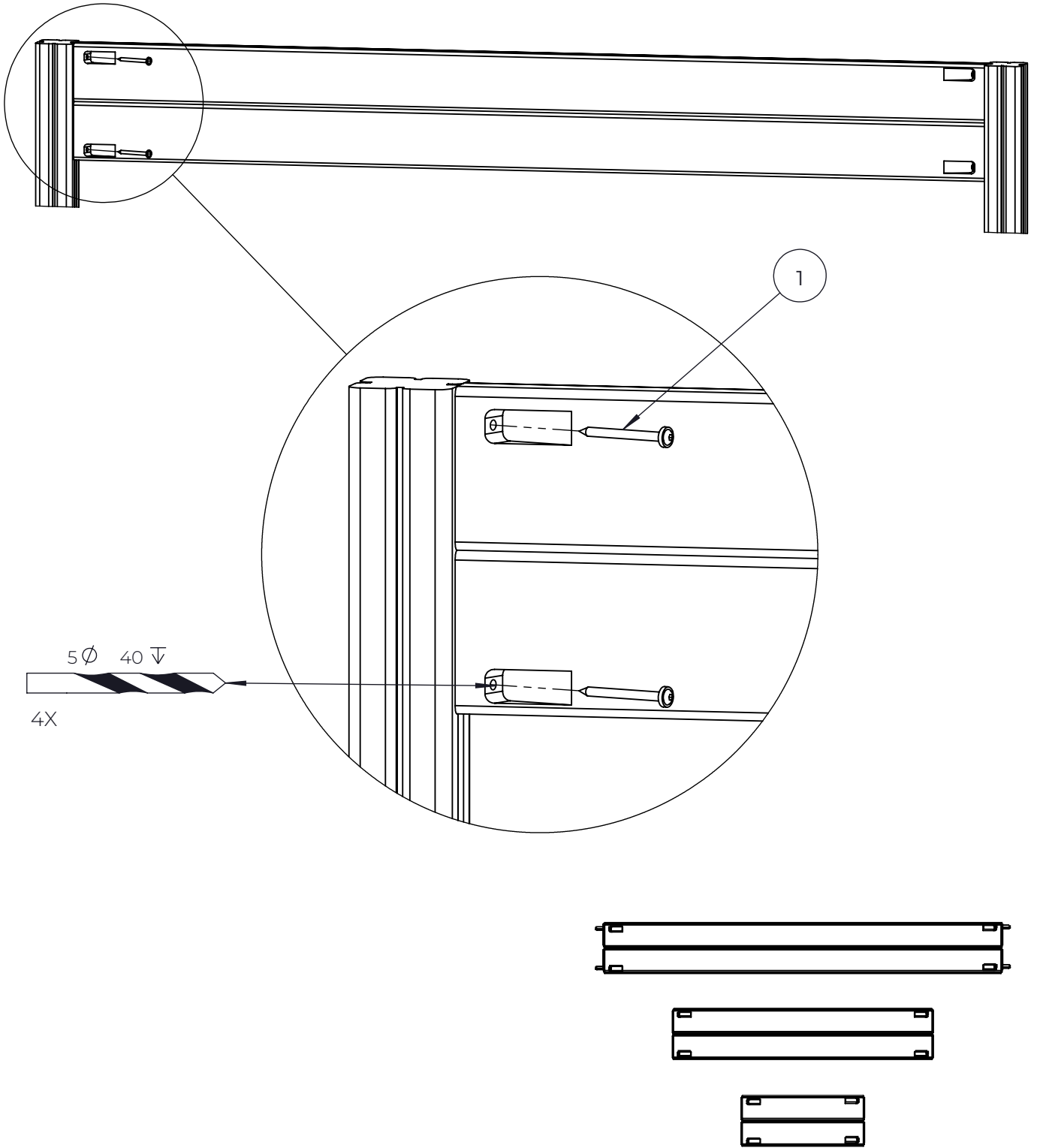


NO.	ITEM CODE			QTY.
1	707133	PLATE	10x80x745	2
2	909855	ALLEN SCREW	M8x35	4
3	980160	NUT	M8	12
4	908021	BRACKET	3x212x214	2
5	909256	WASHER	Ø16/8.4x1.6	12
6	901868	BAR		2
7	909210	BOLT	M8x40	4
8	905051	WASHER	Ø24/8.4	4
10	901115	U-BOLT		4



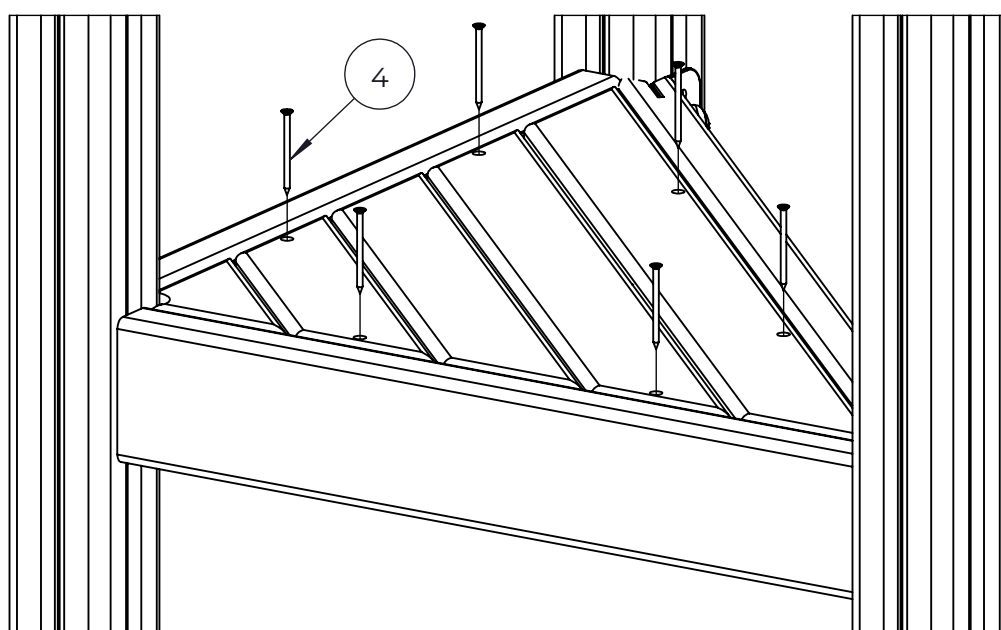
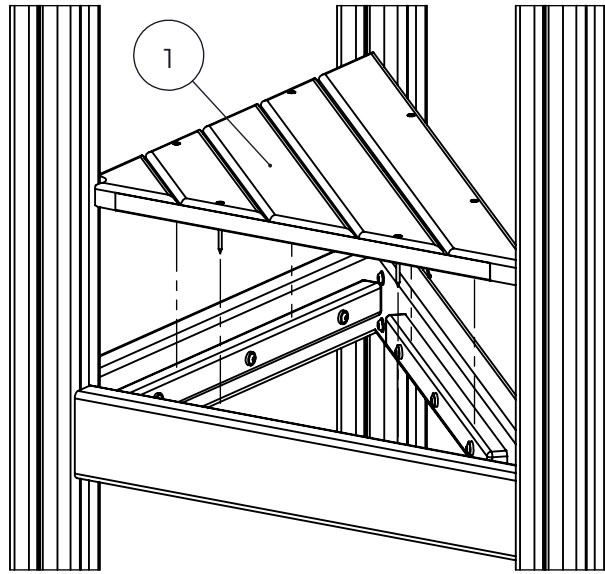
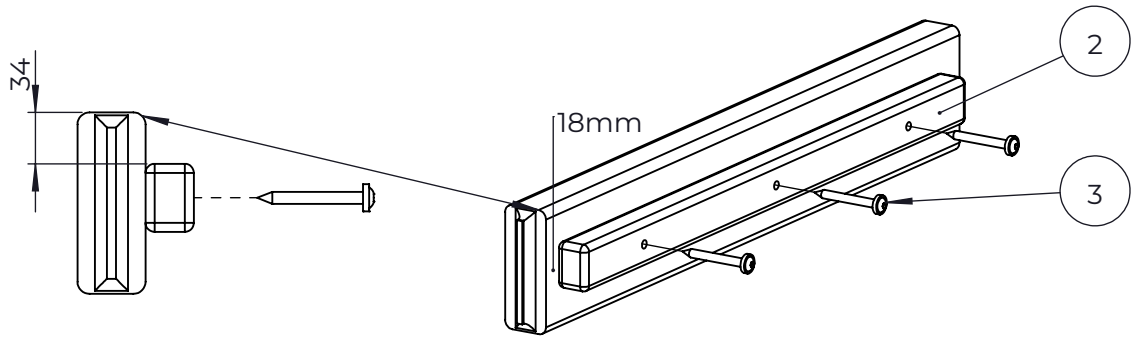


NO.	ITEM CODE			QTY.
1	909519	FOUNDATION PLATE	380 x 380 x 45	1
2	909639	BOLT	M10x25	4
3	909638	WASHER	Ø20 / 10.5	8
4	909637	NUT	M10	4
5	905104	OUTSIDE PLUG	M10	4
6	909511	FOUNDATION TUBE	90x90x650	1

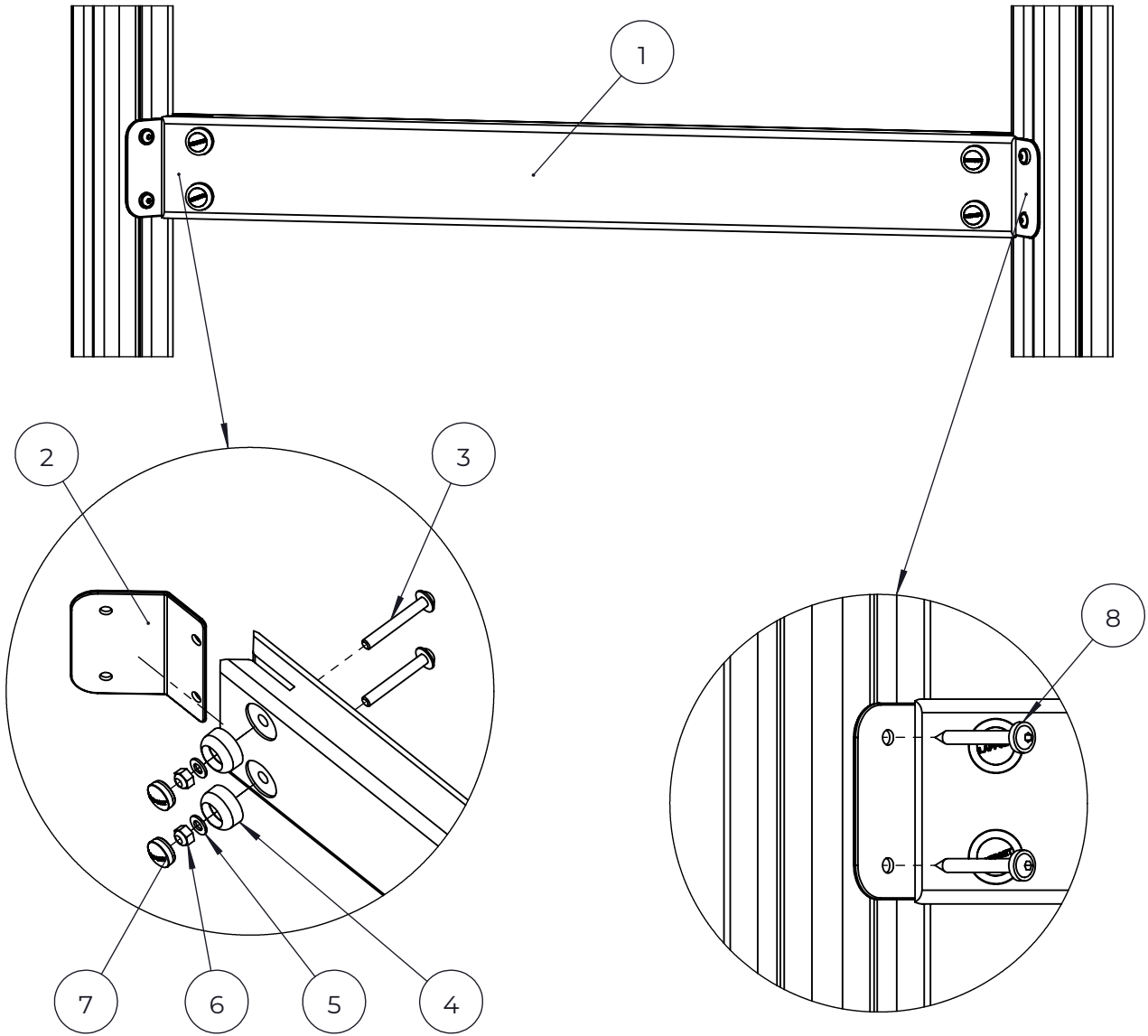


Copyright Lappset Group Ltd

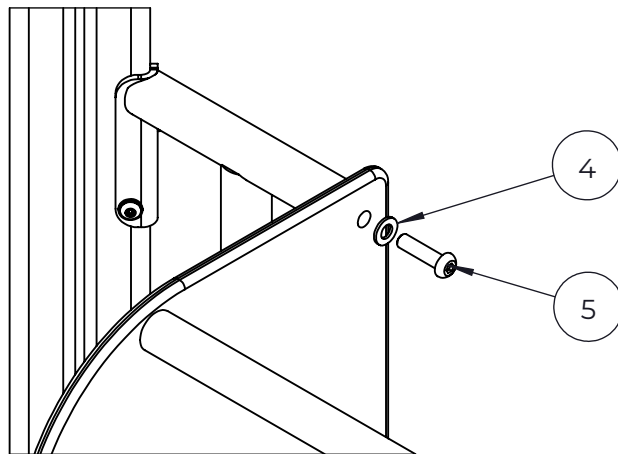
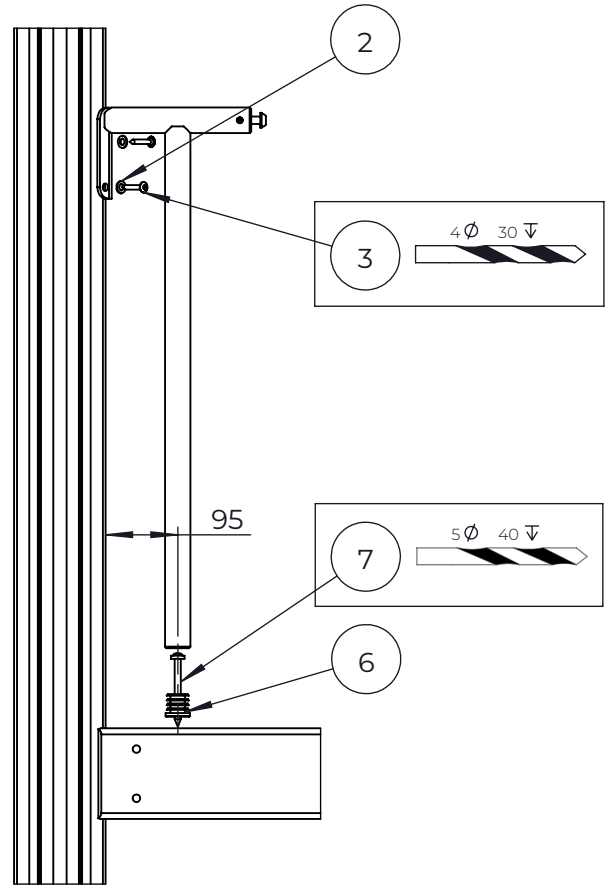
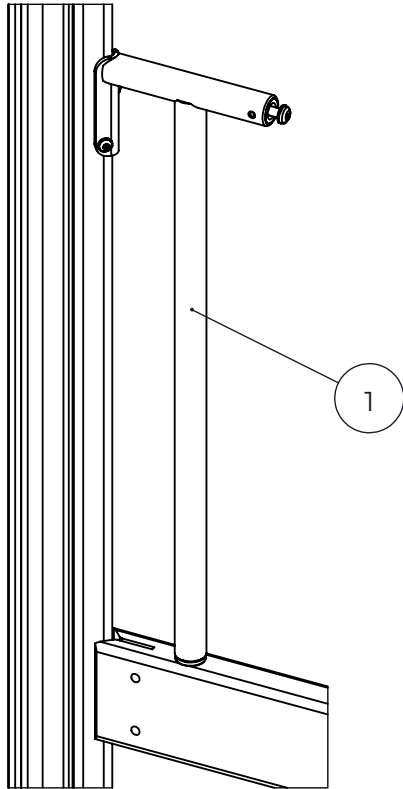
NO.	ITEM CODE			QTY.
1	903093	SPECIAL SCREW	Ø8x90	4



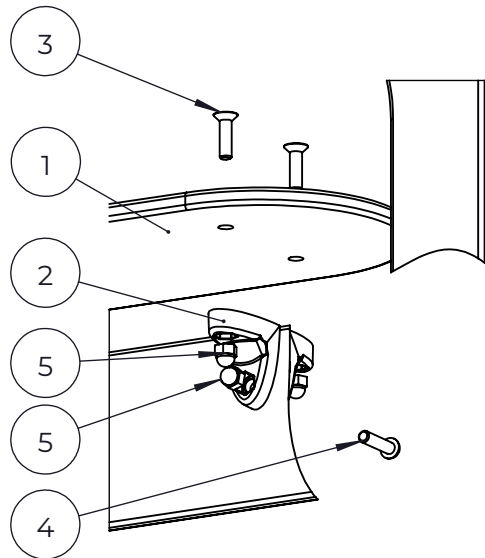
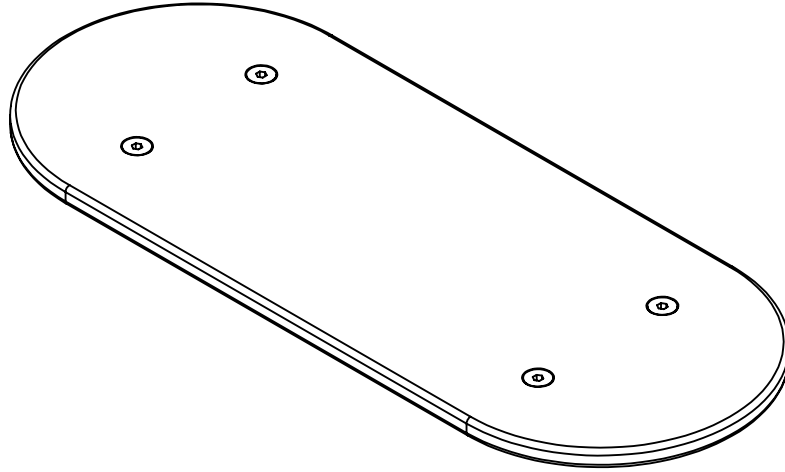
NO.	ITEM CODE			QTY.
1	712956-001	FLOOR ELEMENT	32x714x714	1
2	706508-001	STRIP	32x45x650	3
3	900240	SPECIAL SCREW	Ø8x70	9
4	980101	SCREW	Ø4.5x70	6



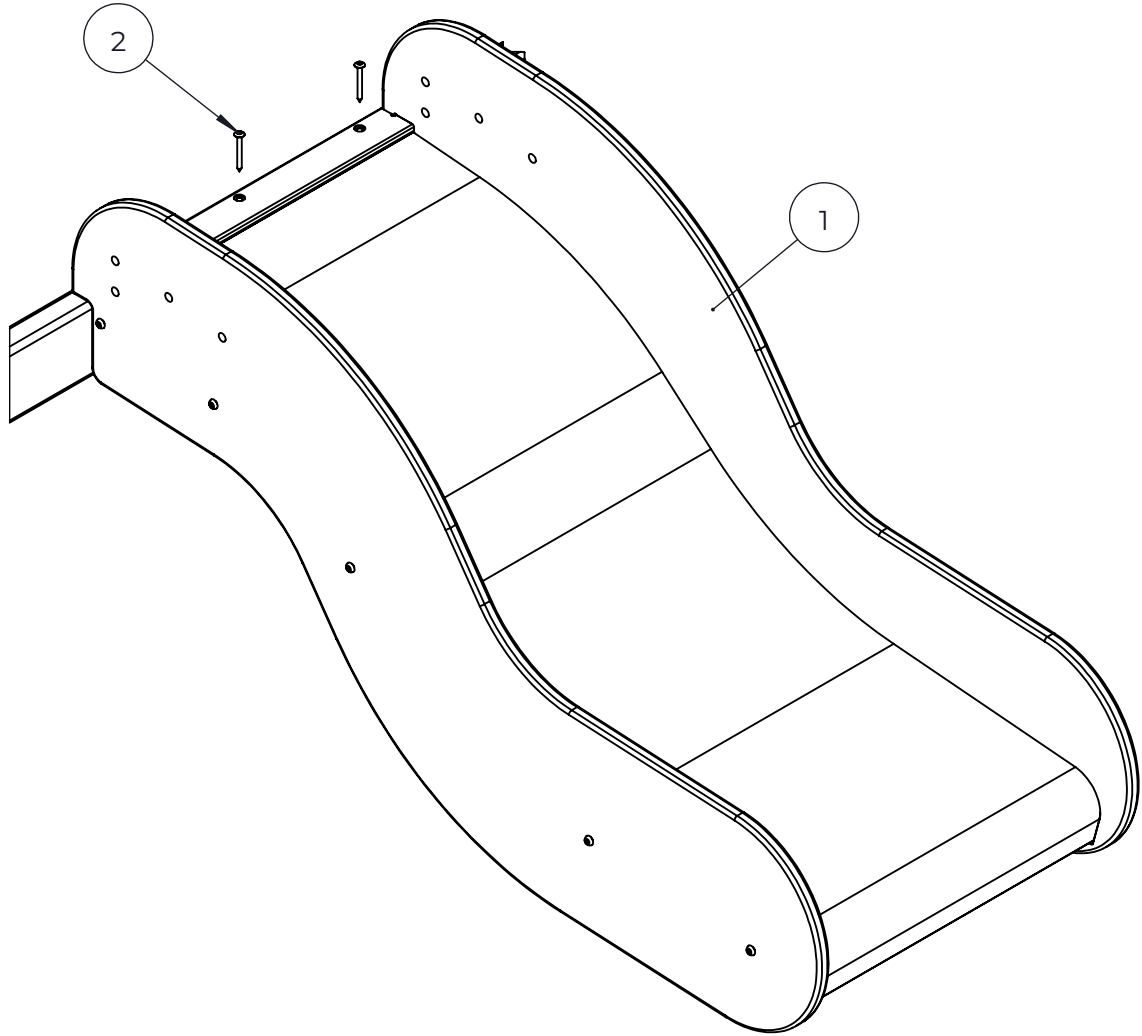
NO.	ITEM CODE			QTY.
1	712942	BOOM	45x120x1030	1
2	907724	ATTACHMENT FLANGE	3x115x110	2
3	909866	ALLEN SCREW	M8x60	4
4	905083	PLASTIC WASHER	Ø32	4
5	909256	WASHER	Ø16/8.4x1.6	4
6	980160	NUT	M8	4
7	905112	PLASTIC CAP	all models	4
8	900240	SPECIAL SCREW	Ø8x70	4



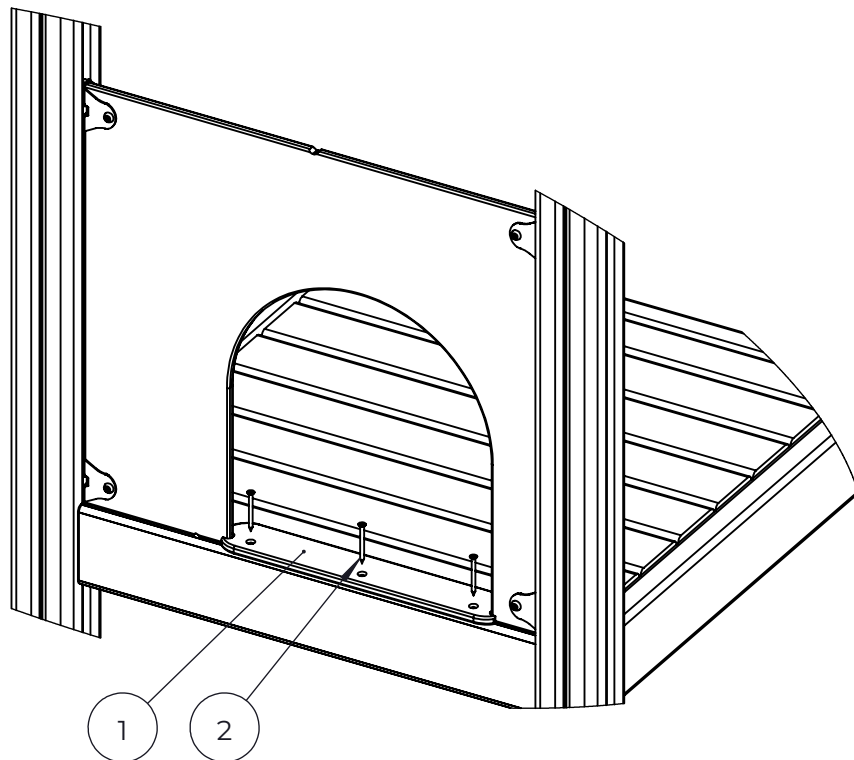
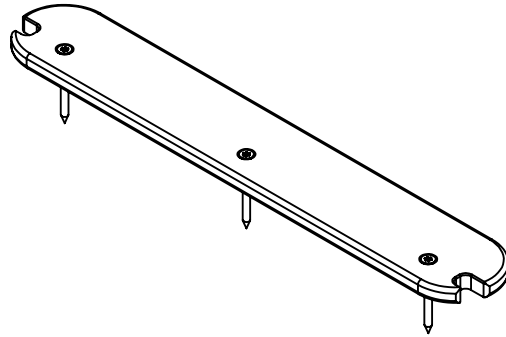
NO.	ITEM CODE			QTY.
1	914400	ADAPTER ELEMENT		1
2	909256	WASHER	Ø16/8.4x1.6	2
3	980128	SPECIAL SCREW	Ø7x40	2
4	901302	WASHER	Ø20/10.5x2	1
5	907727	ALLEN SCREW	M10x40	1
6	908057	CONNECTOR	Ø32/29-L5/30	1
7	903093	SPECIAL SCREW	Ø8x90	1



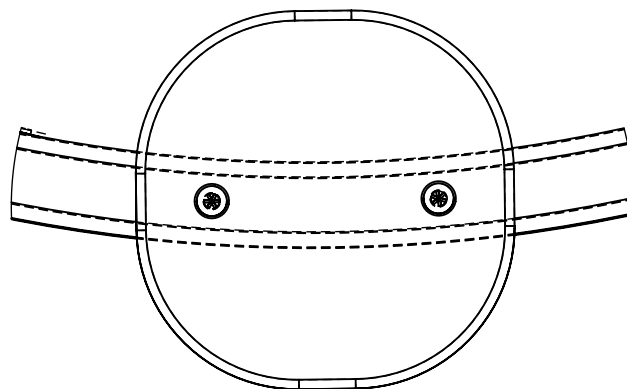
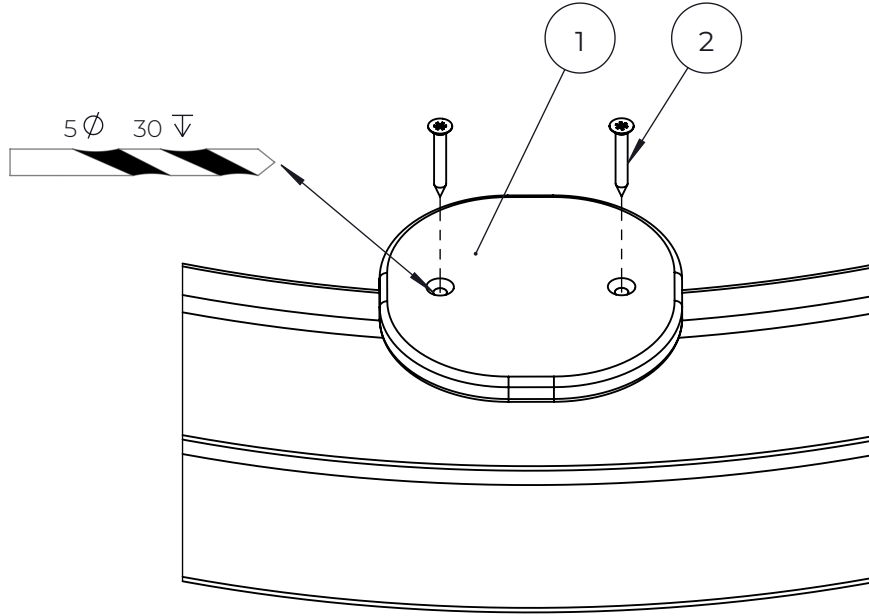
NO.	ITEM CODE			QTY.
1	712308	PLATE	12x200x500	1
2	901570	CLAMP	36x55x55	4
3	900348	ALLEN SCREW	M8x30	4
4	909855	ALLEN SCREW	M8x35	2
5	909633	NUT	M8	6



NO.	ITEM CODE			QTY.
1	711817	SLIDE ELEMENT	486x604x1484	1
2	980123	SPECIAL SCREW	Ø7x60	3



NO.	ITEM CODE			QTY.
1	713010	SILL PLATE	12x70x436	1
2	980100	COUNTERSUNK SCREW	Ø5 x 60	3



NO.	ITEM CODE			QTY.
1	711848	SEAT	20x200x200	1
2	906630	SCREW	Ø8x60	2