

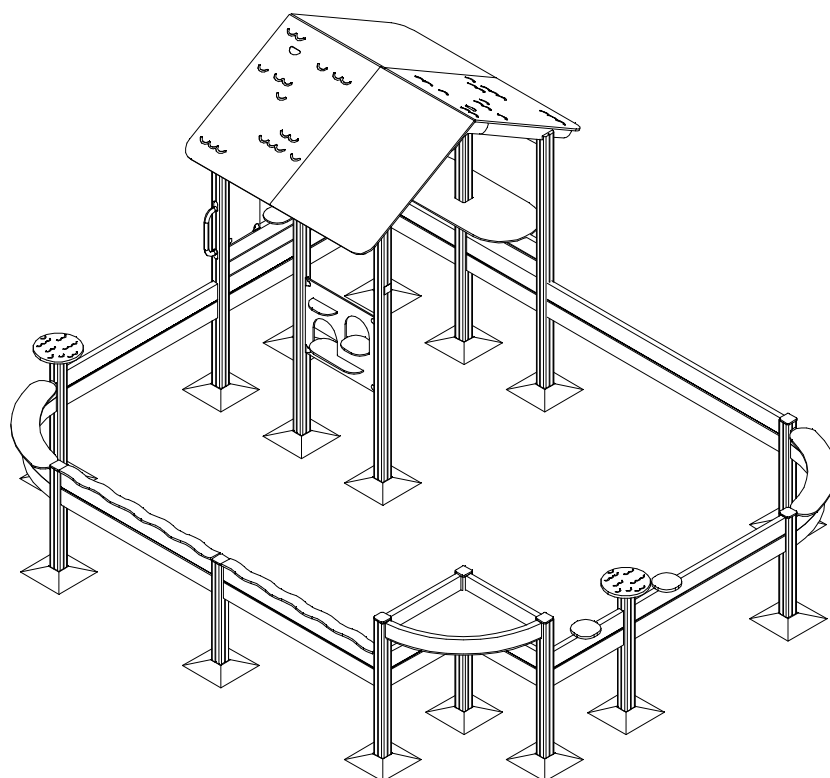


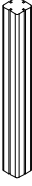



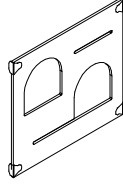
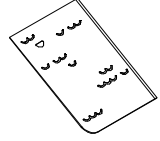


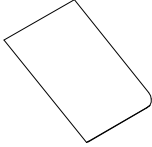



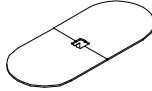



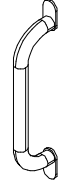

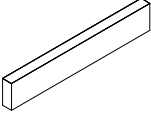

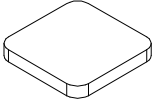

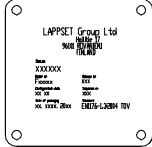



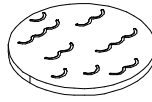



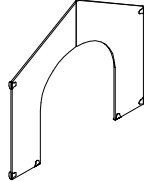
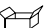
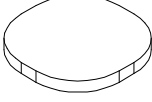
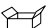


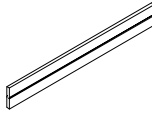


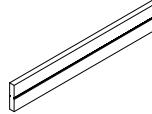





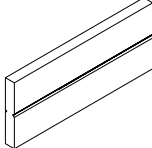

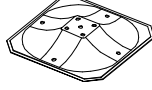
PRIME

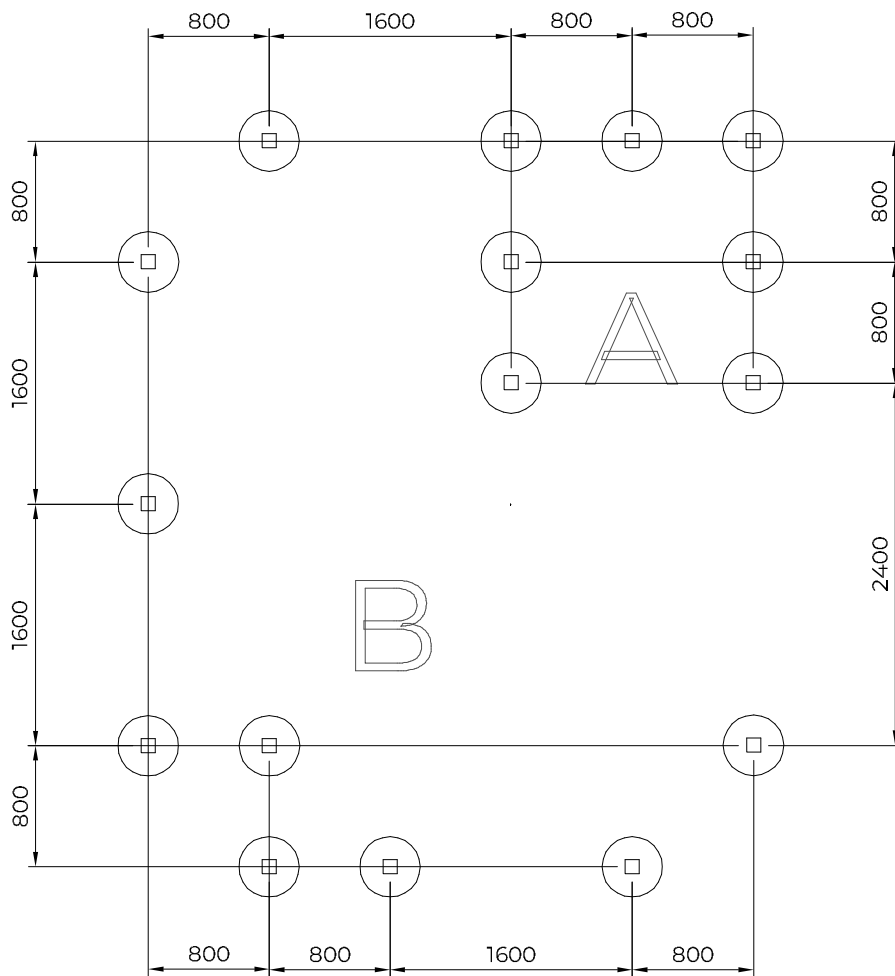
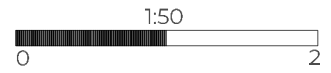
ASENNUSOHJE
MONTERINGSANSVISNING
INSTALLATION INSTRUCTION
AUFBAUANLEITUNG
NOTICE D'INSTALLATION

DATE: 27.2.2026

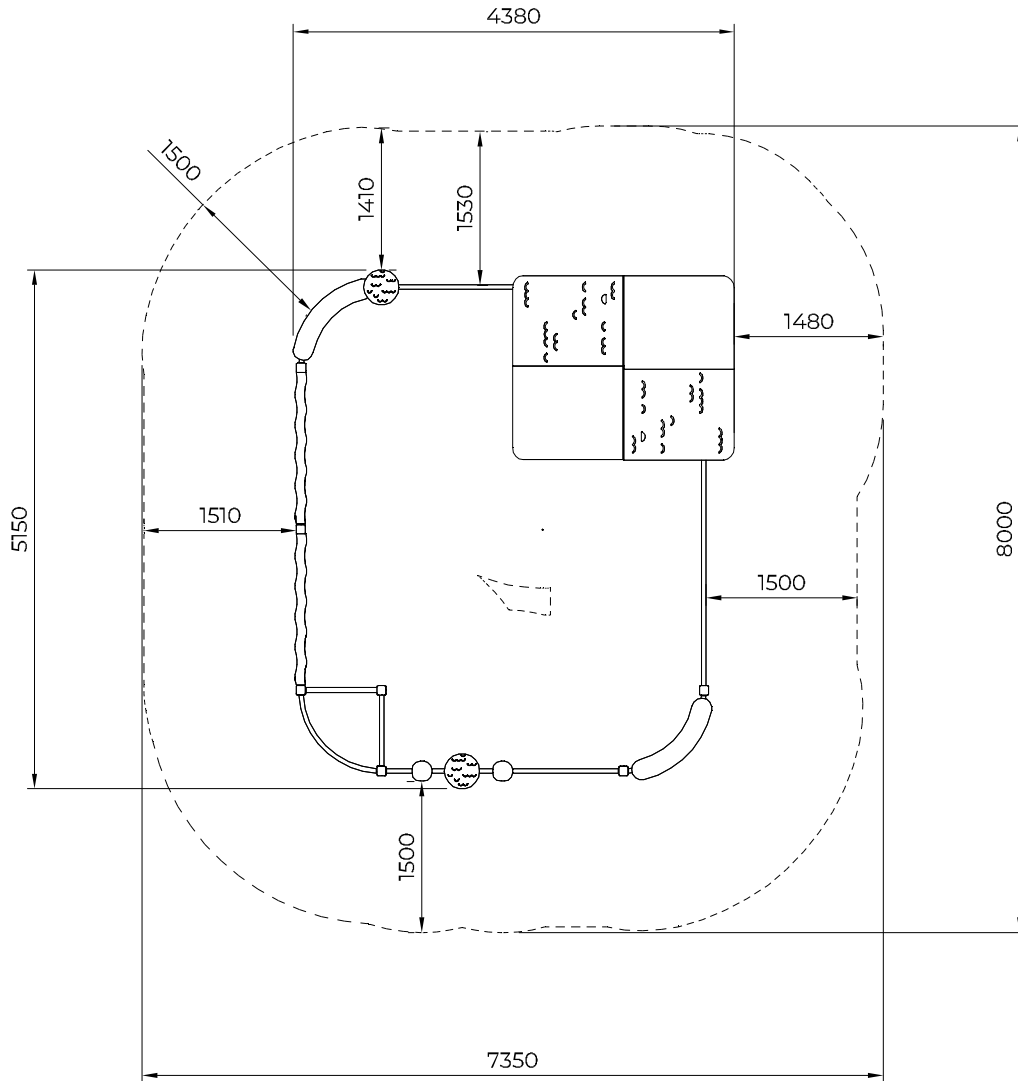
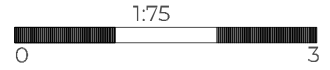
F24607M

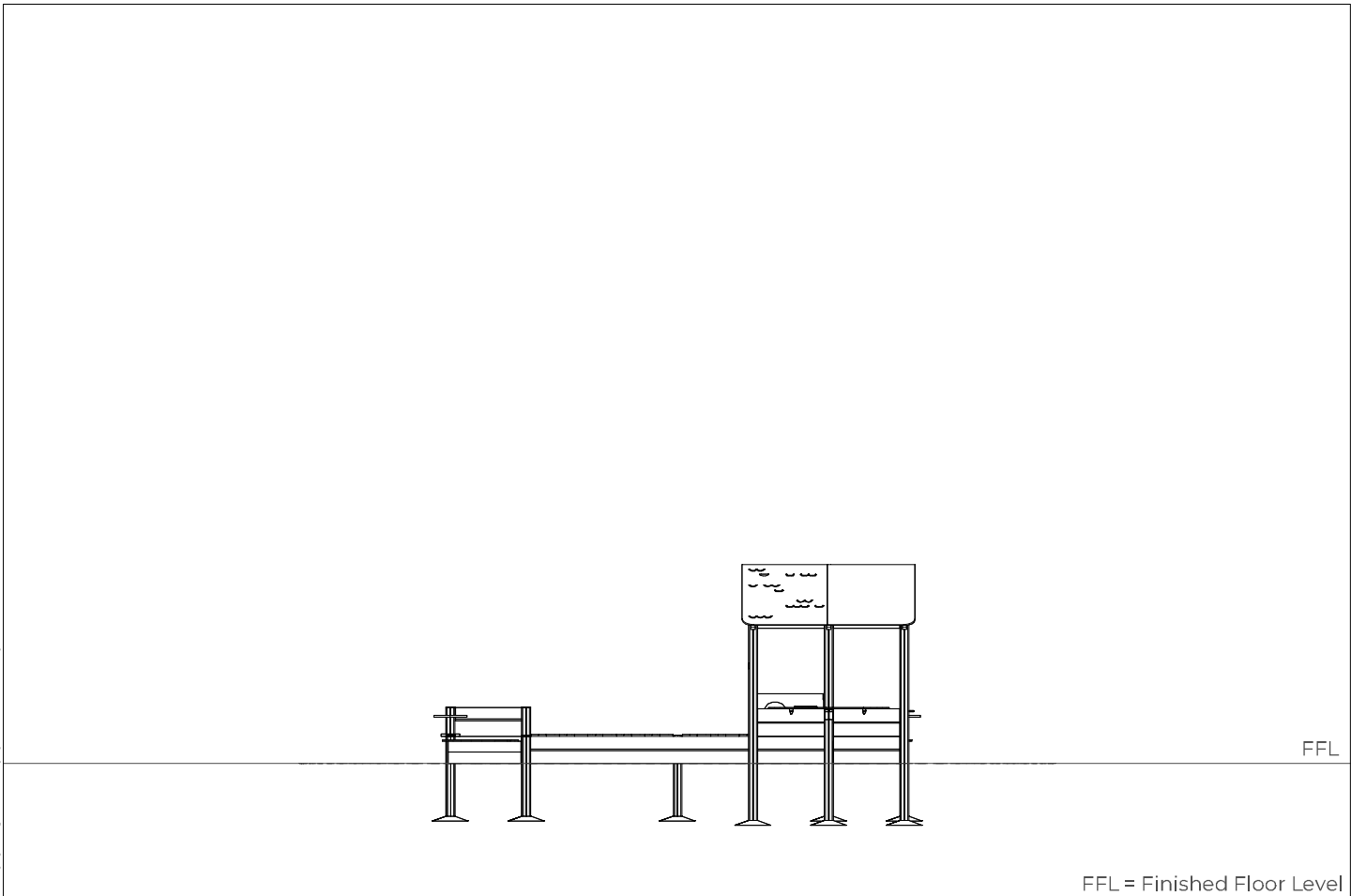
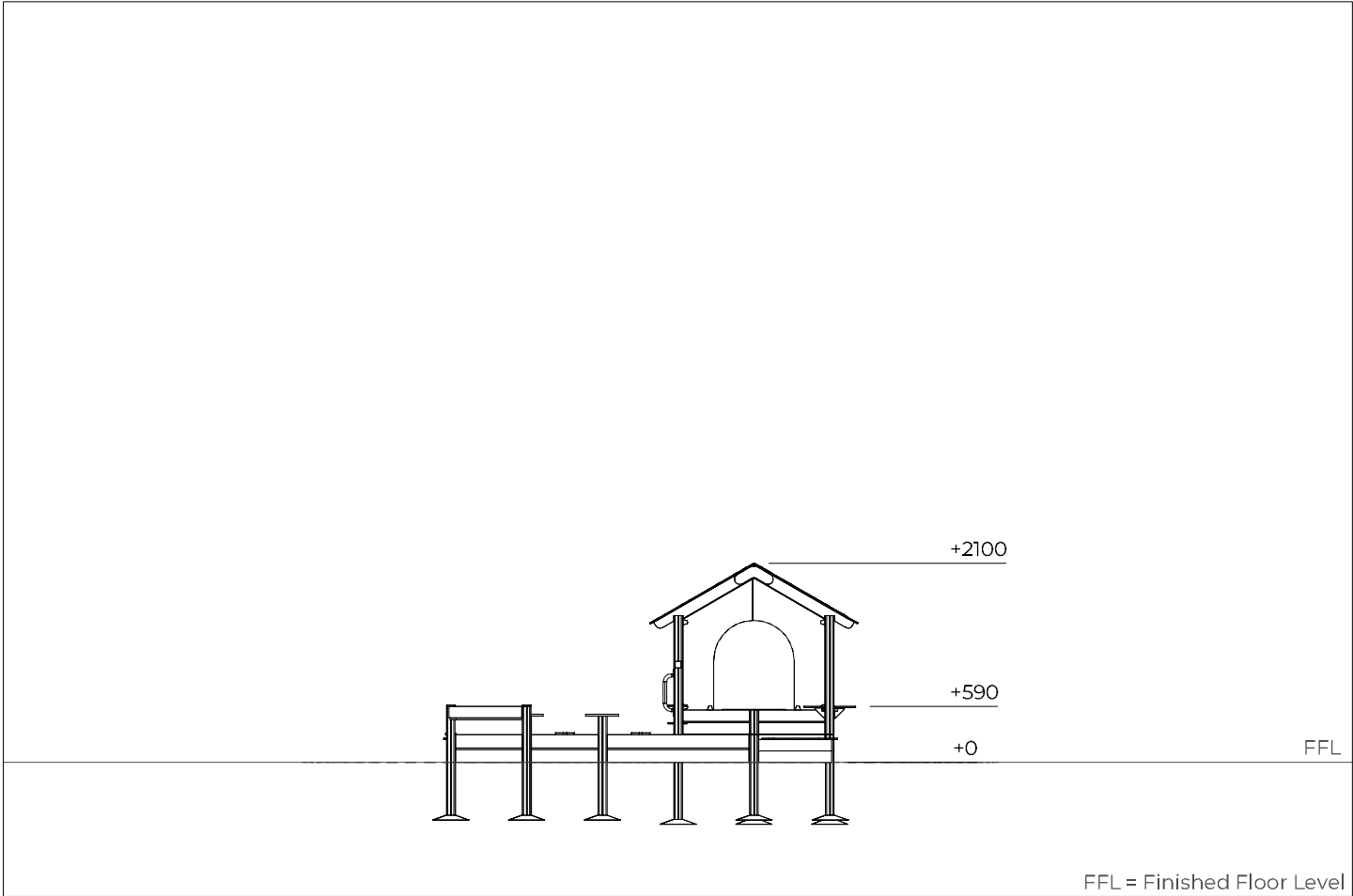


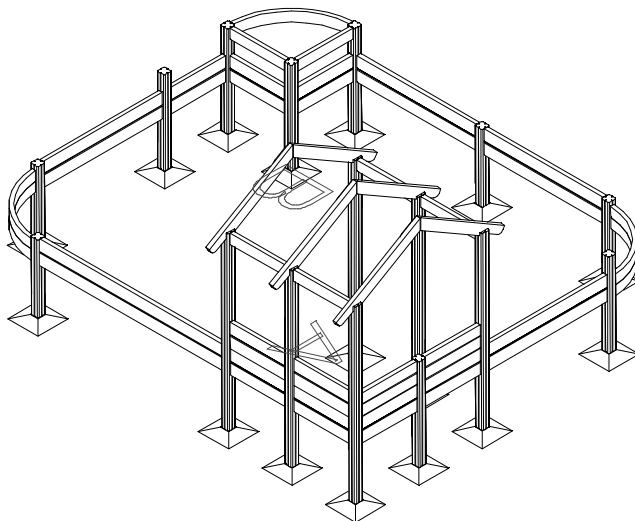
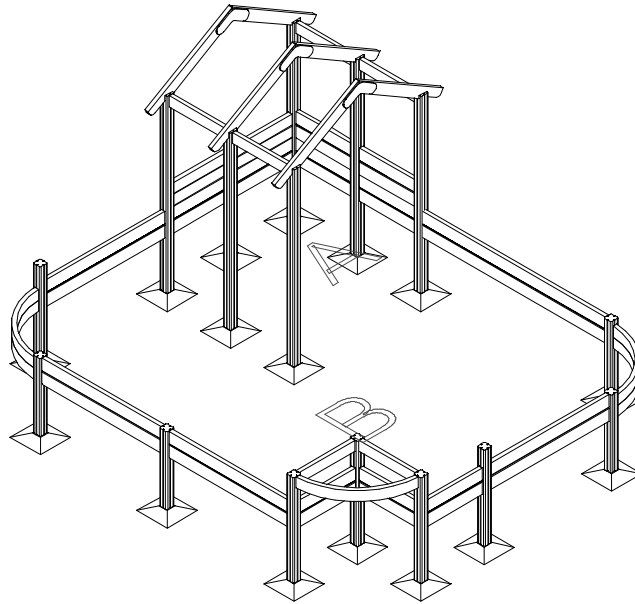
712024-001  L 850	PCS 4	712026-001  L 1050	PCS 2	712027-001  L 1150	PCS 4	712037-001  L 2150	PCS 6	712311 	PCS 1	712358 	PCS 2
712402  	PCS 1	712437  	PCS 2	712458  	PCS 1	712476  	PCS 1	712683  	PCS 2	712730  	PCS 1
712747-001  L 704 	PCS 10	712760  	PCS 7	712797  	PCS 1	712819-001  	PCS 1	712845  	PCS 2	712848-001  	PCS 3
712854  	PCS 1	712881  	PCS 2	712882  L 1500 	PCS 2	712924-001  L 2307 	PCS 1	712934-001  L 1096	PCS 2	712935-001  L 1500 	PCS 4
712999  	PCS 2	713001  	PCS 1	713364-001  L 704 	PCS 9	909519 	PCS 16		PCS		PCS
	PCS		PCS		PCS		PCS		PCS		PCS
	PCS		PCS		PCS		PCS		PCS		PCS

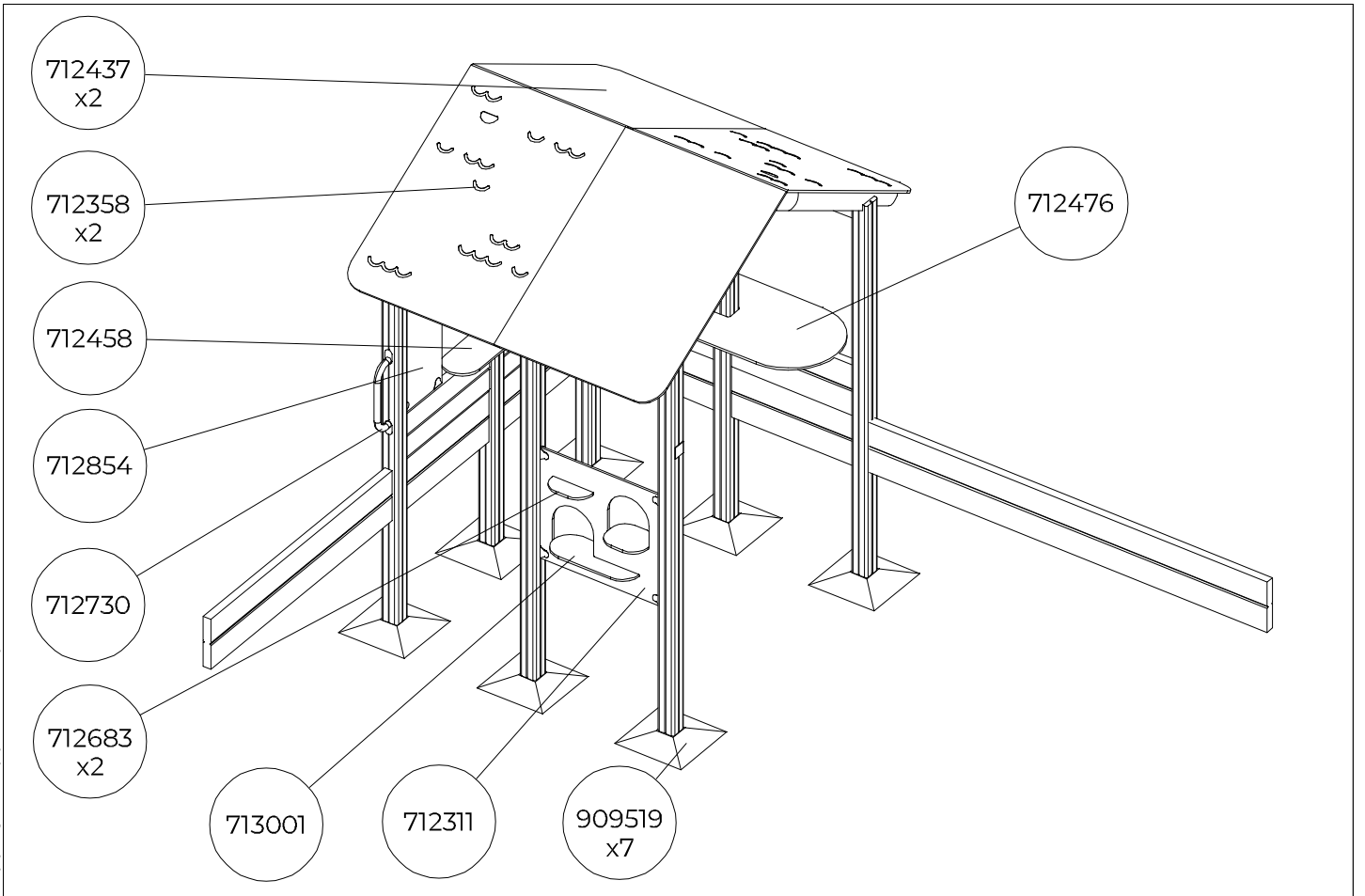
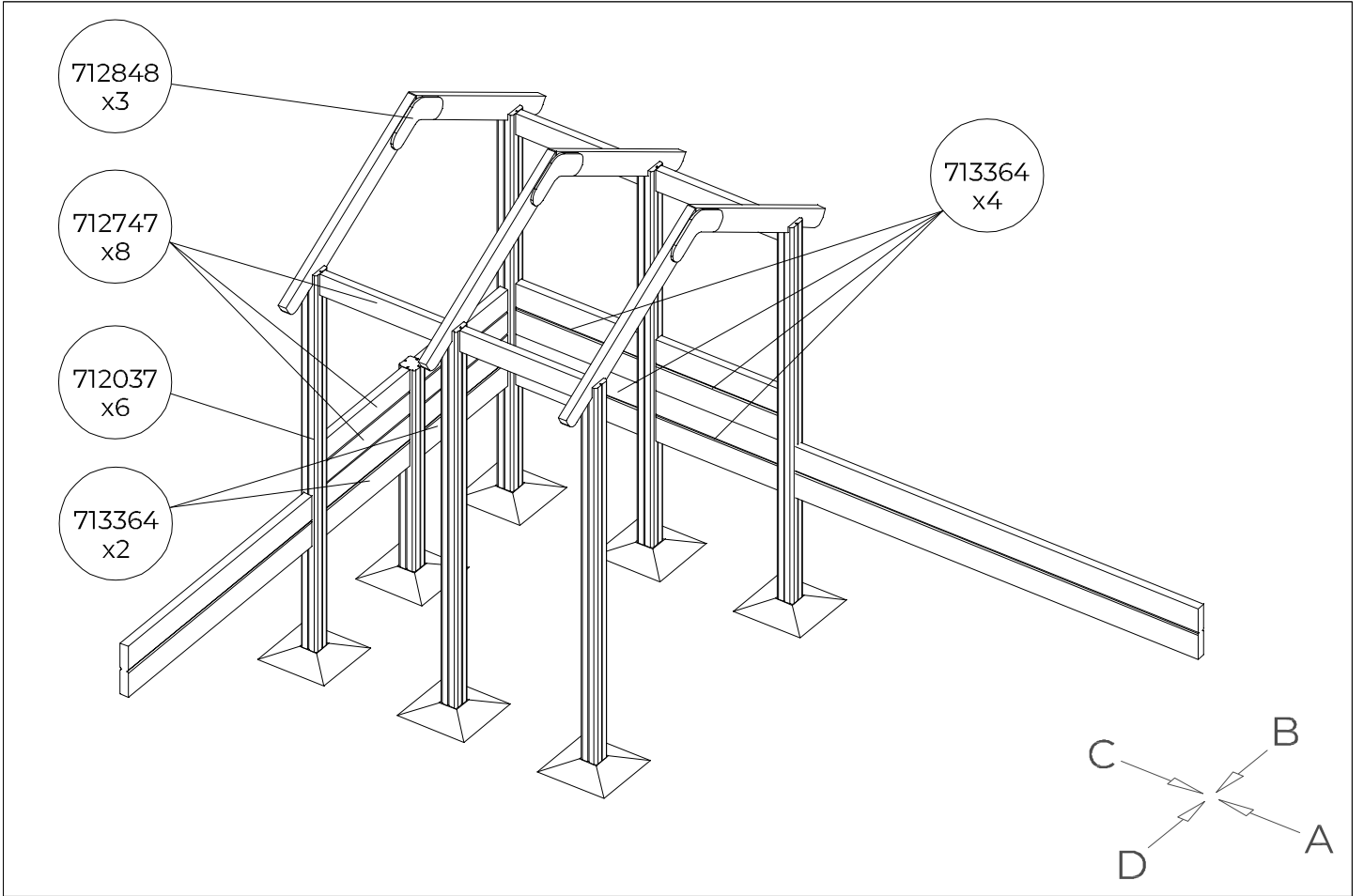


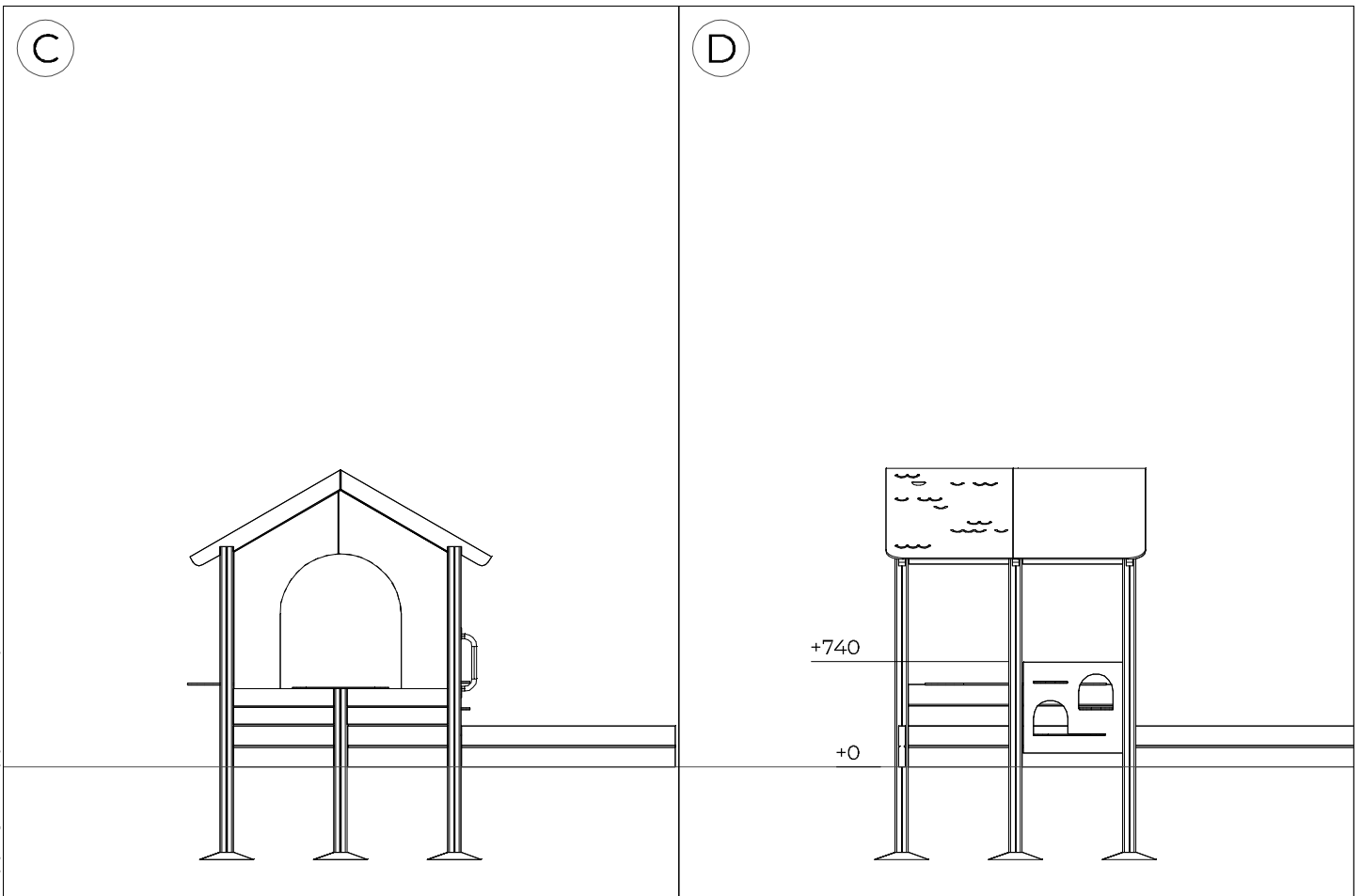
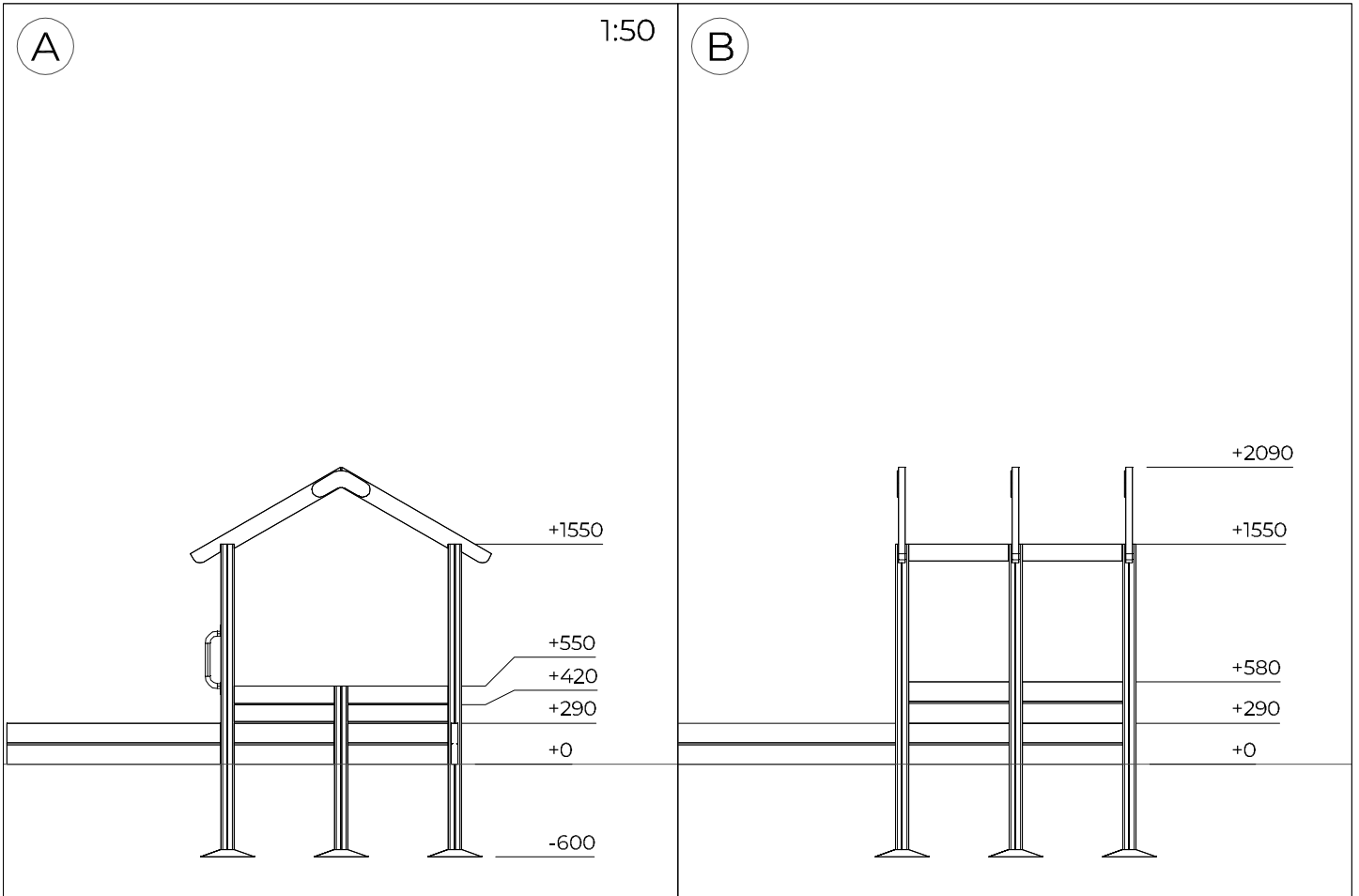
Falling Space 53 m²
Max Falling Height 590 mm

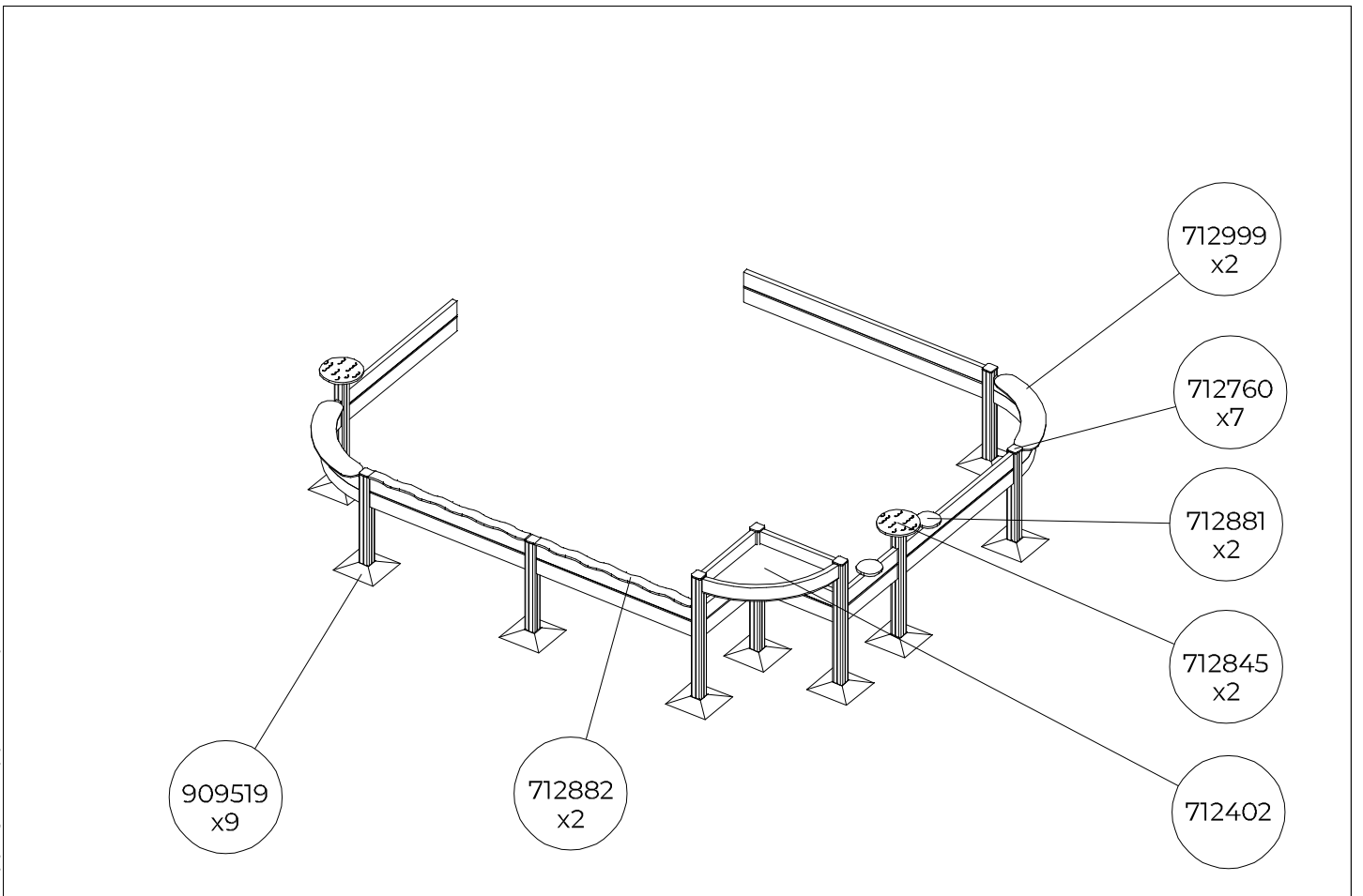
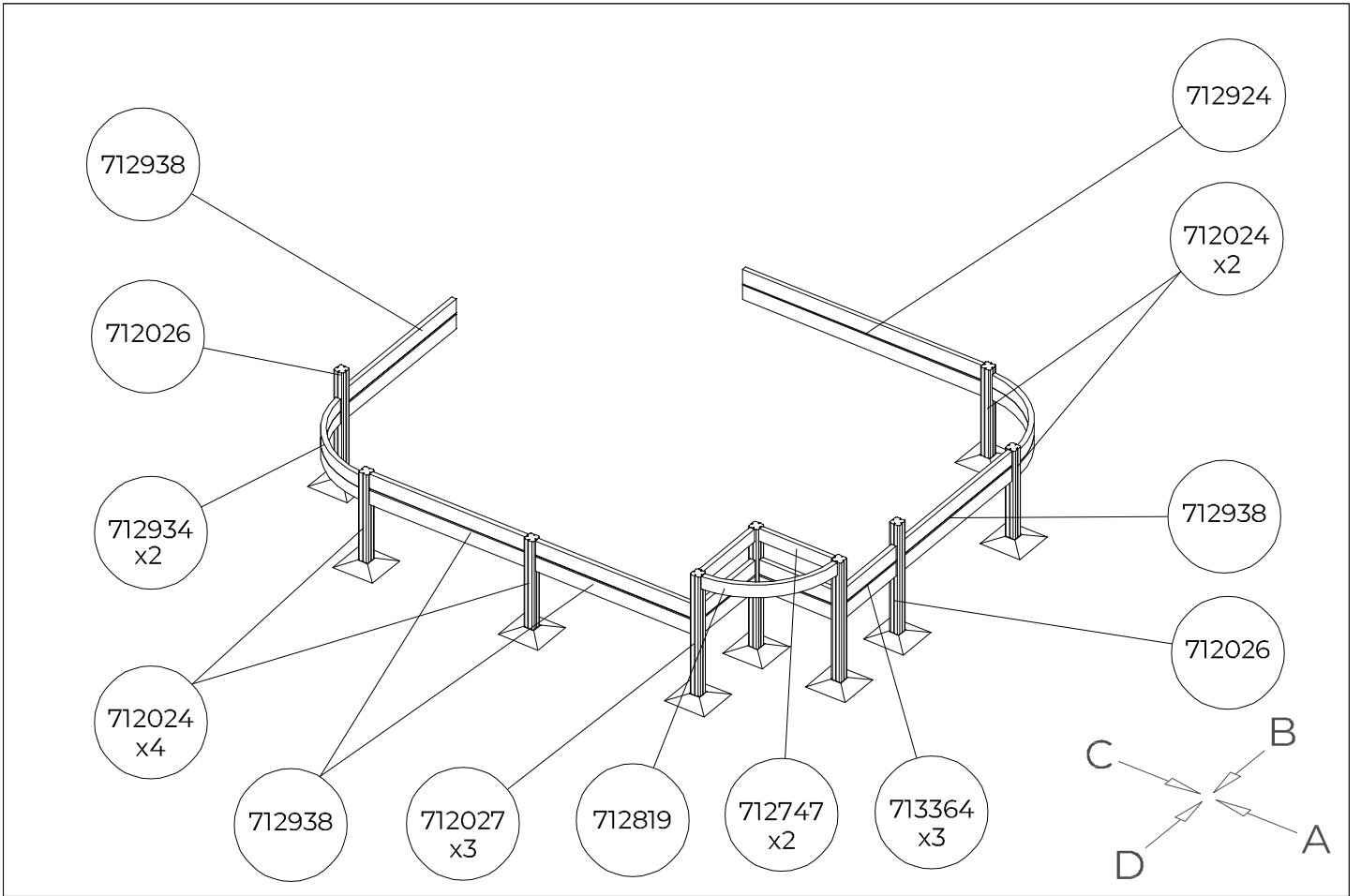


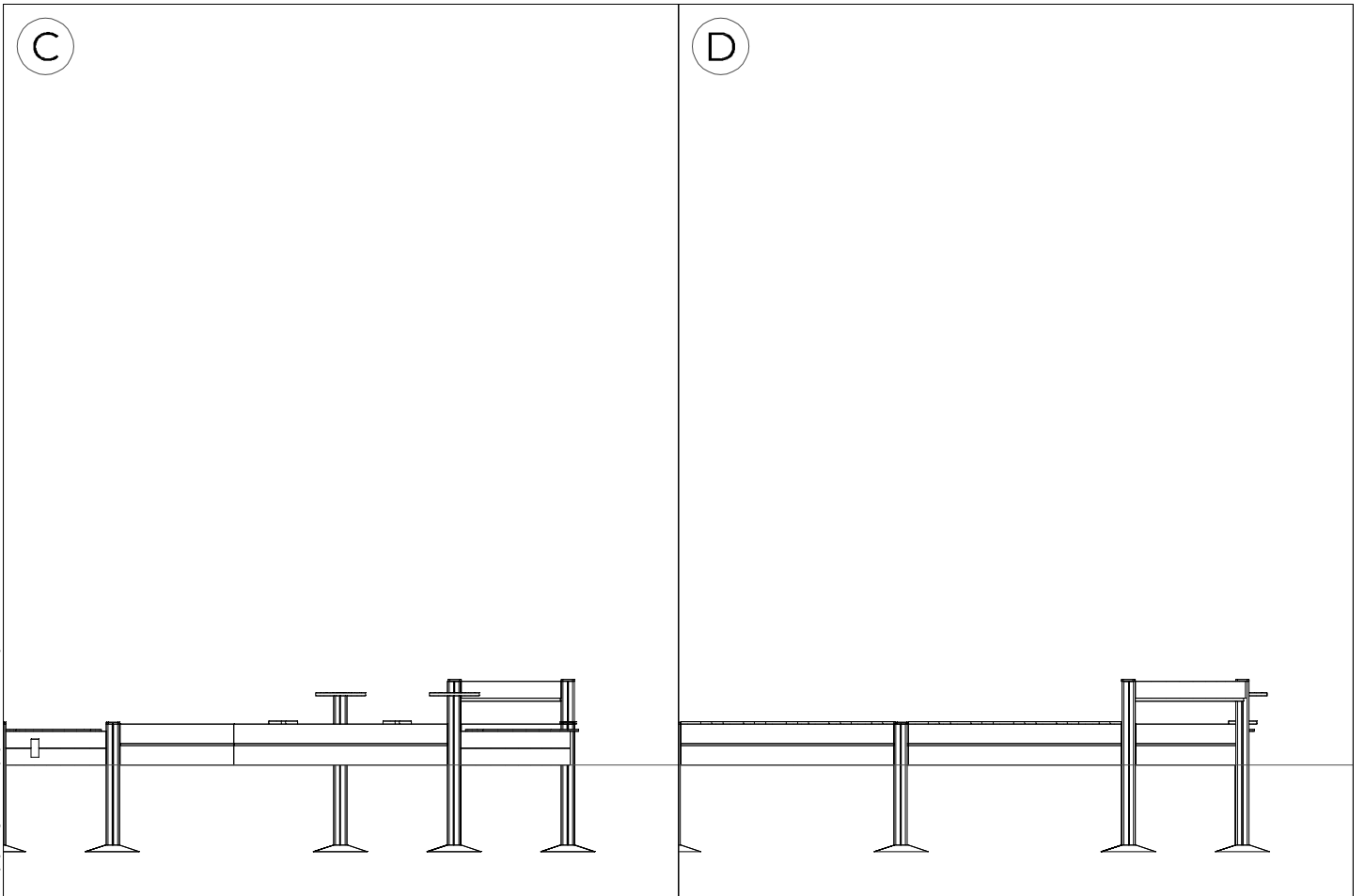
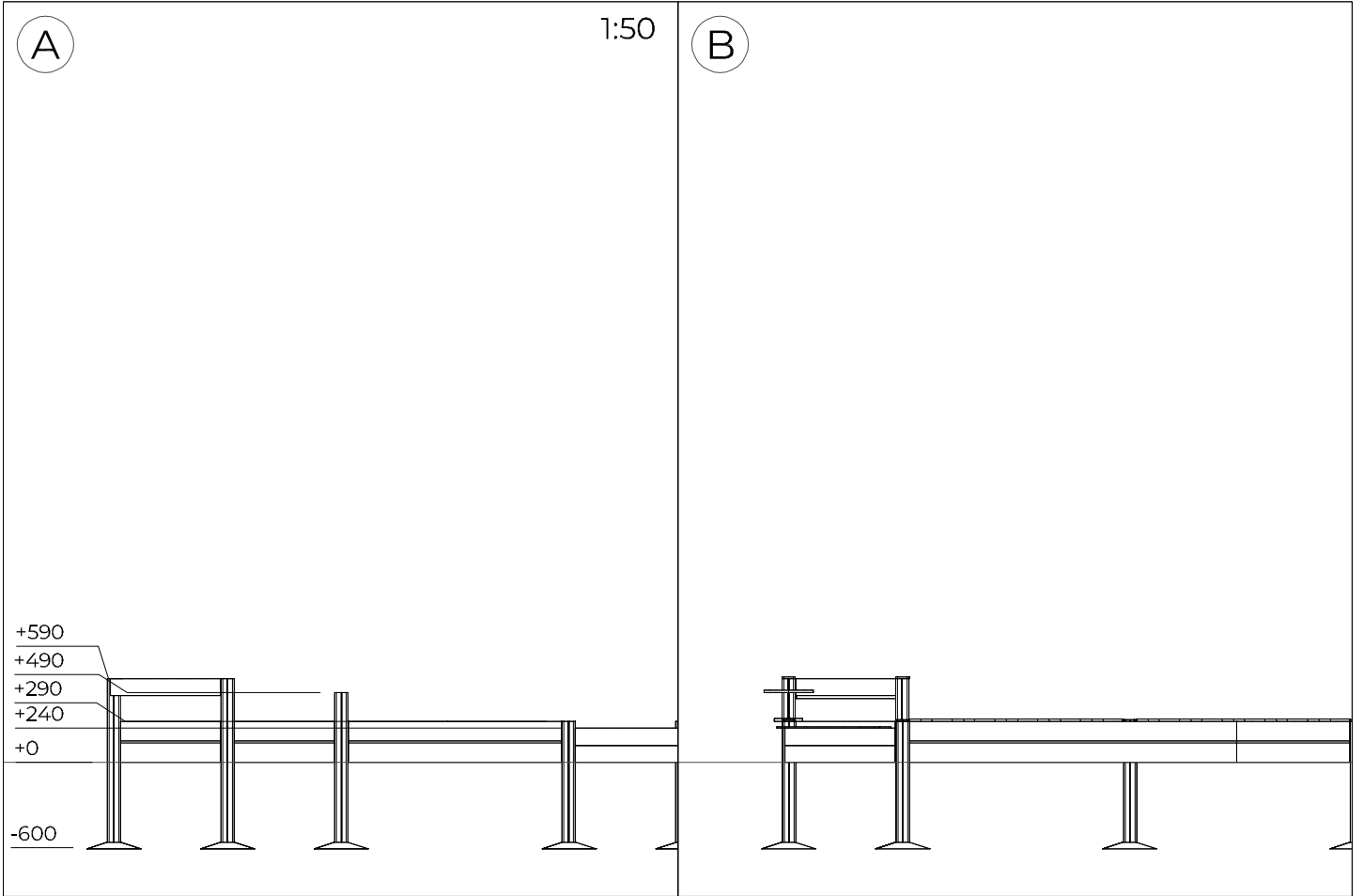


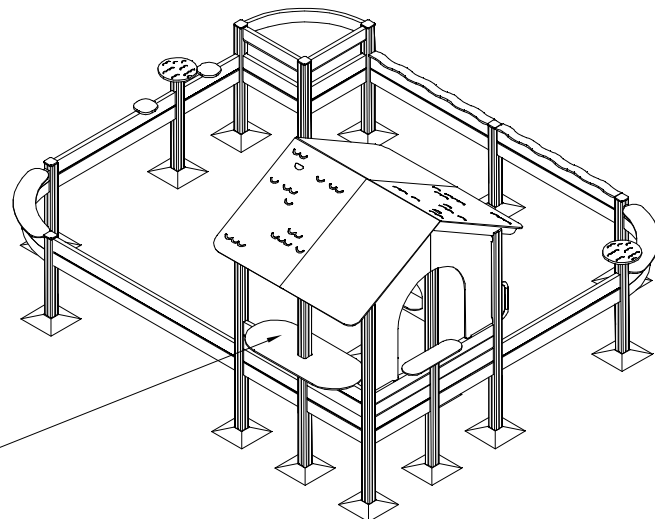
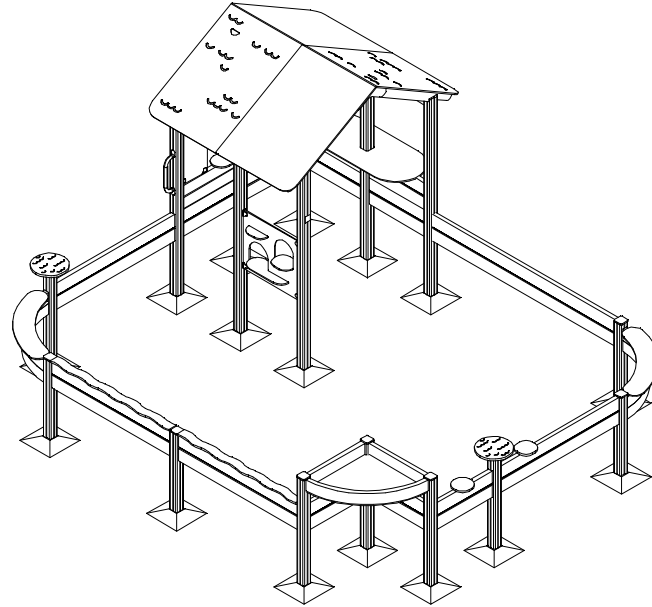




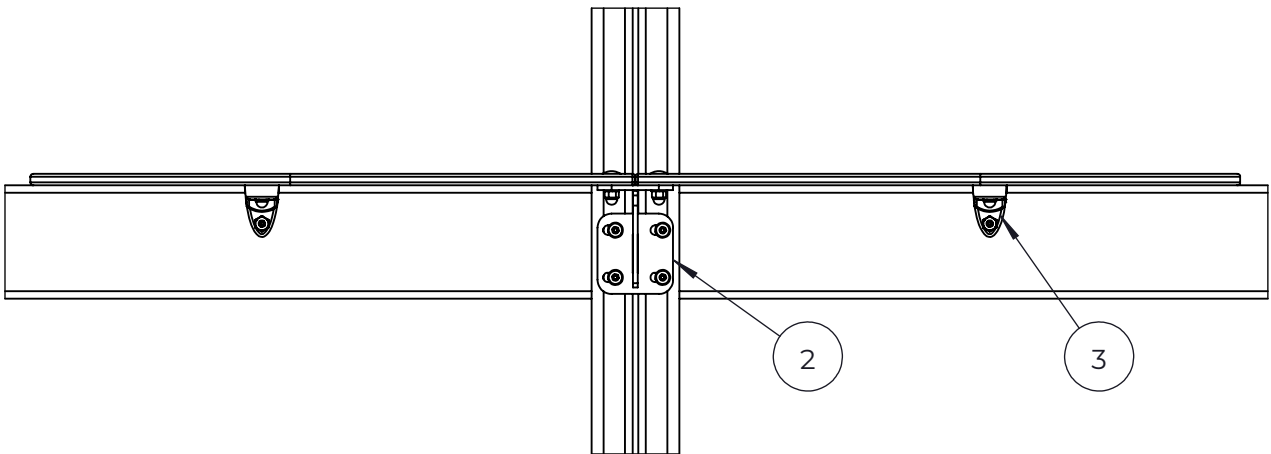
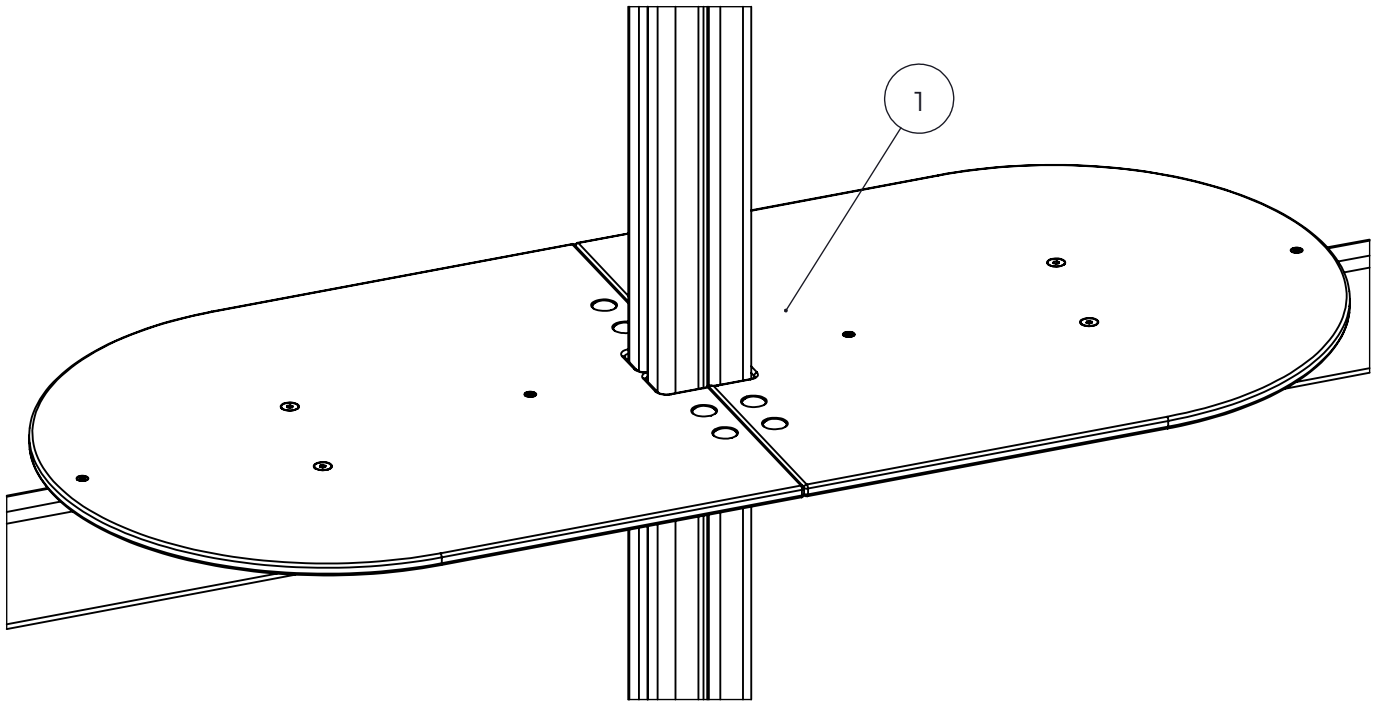




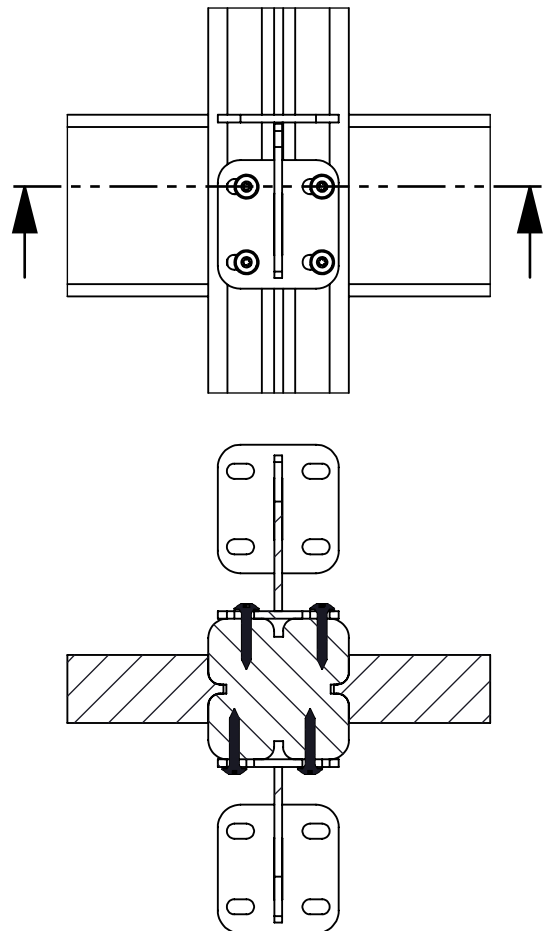
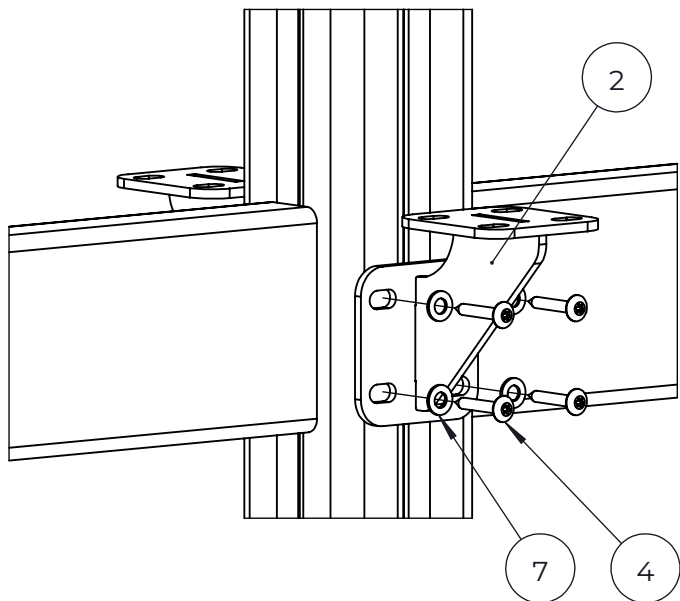
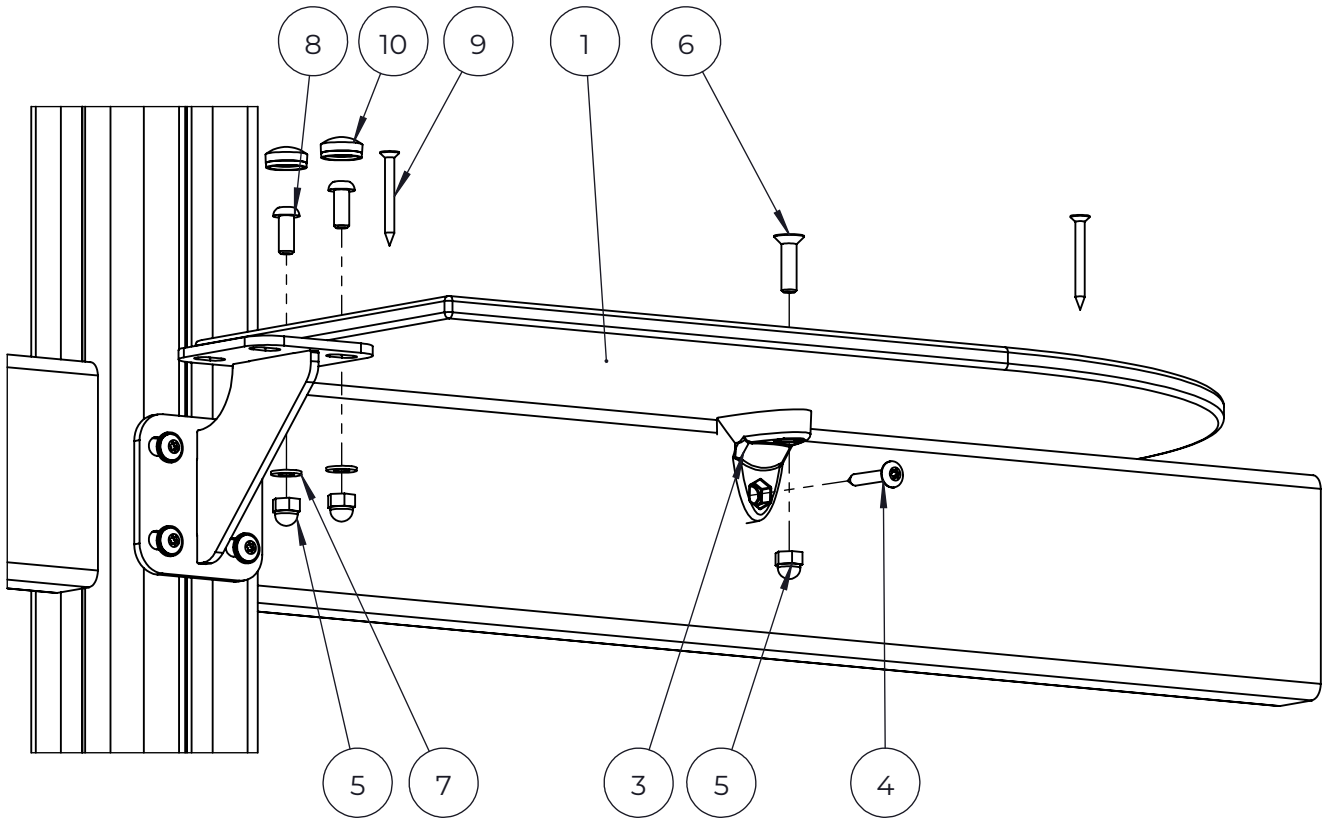


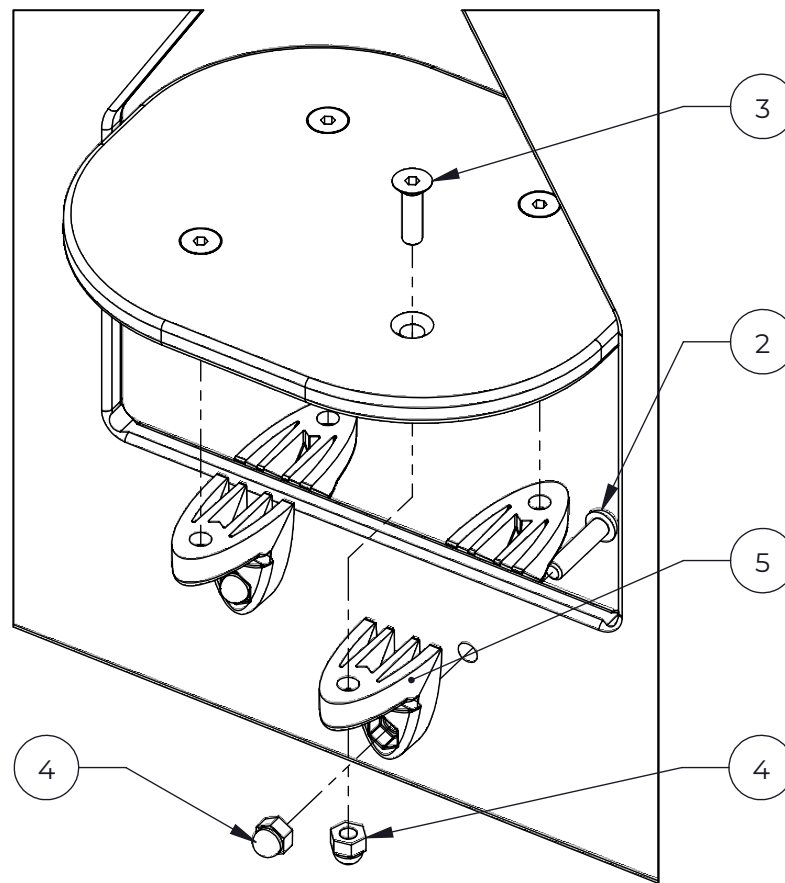
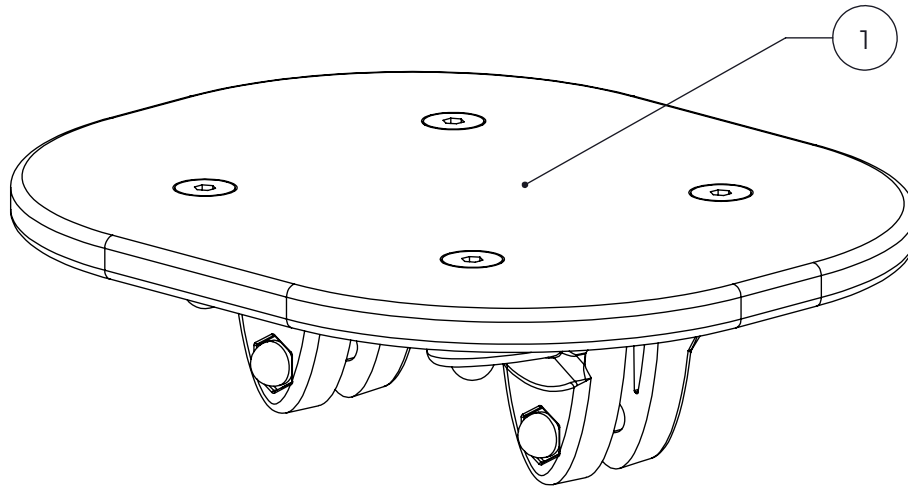


Max Falling Height

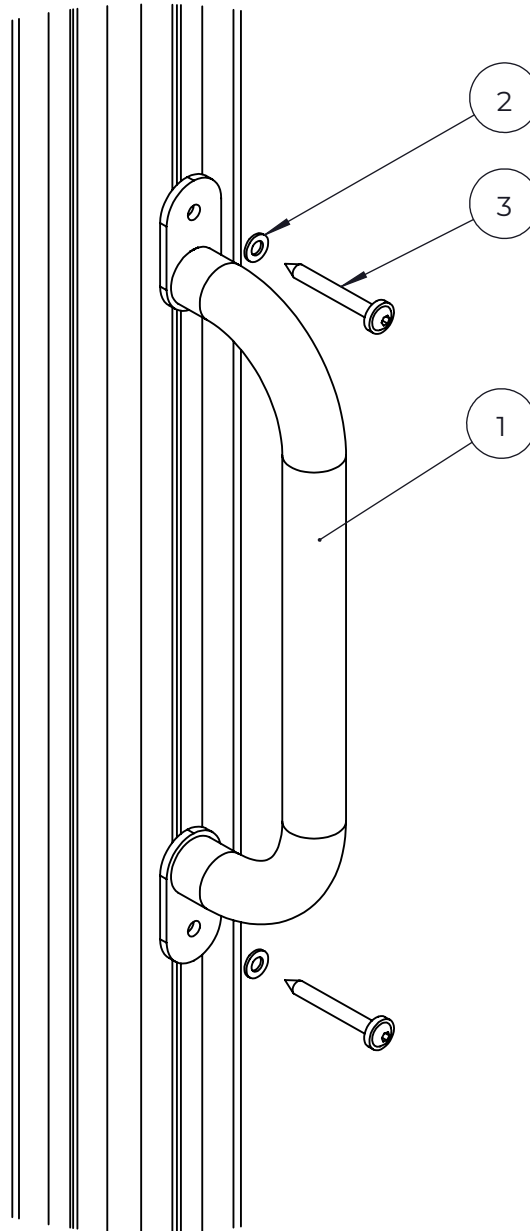


NO.	ITEM CODE			QTY.
1	712375	TABLE	12x550x640	2
2	914798	ATTACHMENT FLANGE	80x115x115	2
3	901570	CLAMP	36x55x55	4
4	980128	SPECIAL SCREW	Ø7x40	12
5	909633	NUT	M8	12
6	900348	ALLEN SCREW	M8x30	4
7	909256	WASHER	Ø16/8.4x1.6	16
8	905827	ALLEN SCREW	M8x20	8
9	902270	SCREW	Ø5x50	4
10	905112	PLASTIC CAP	Ø22	8

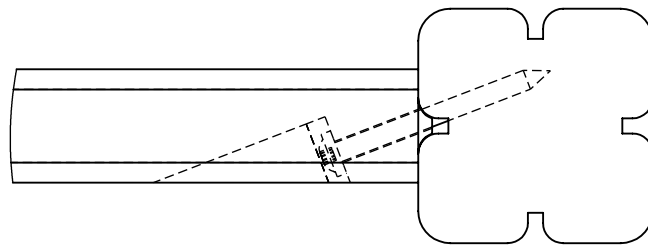
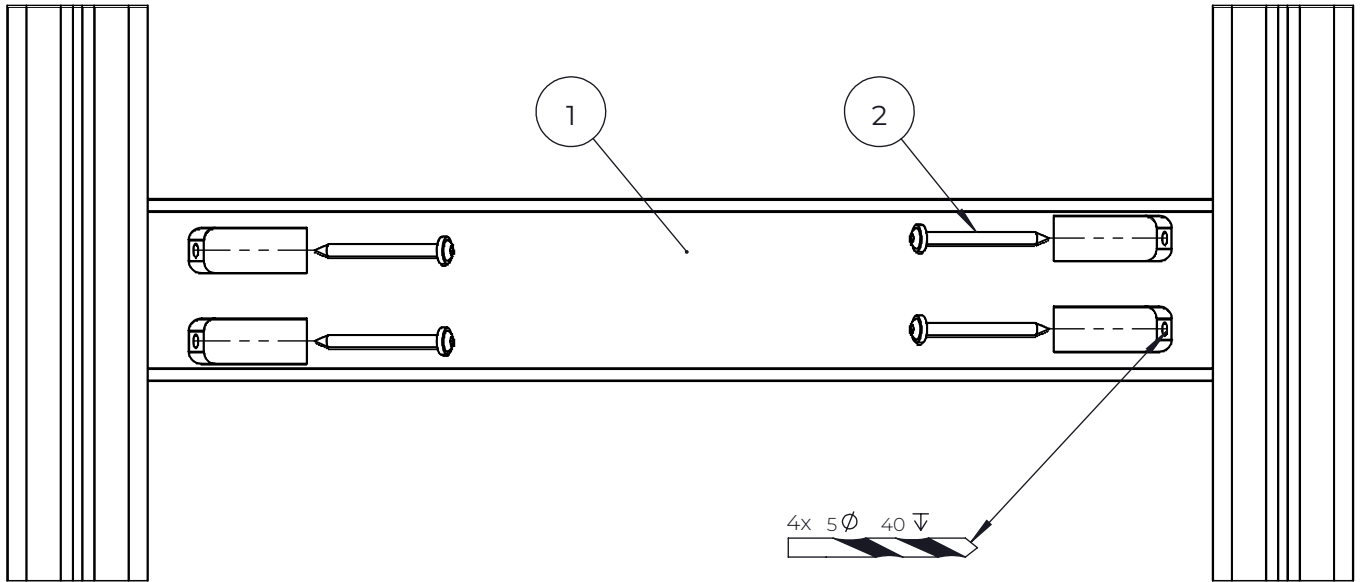




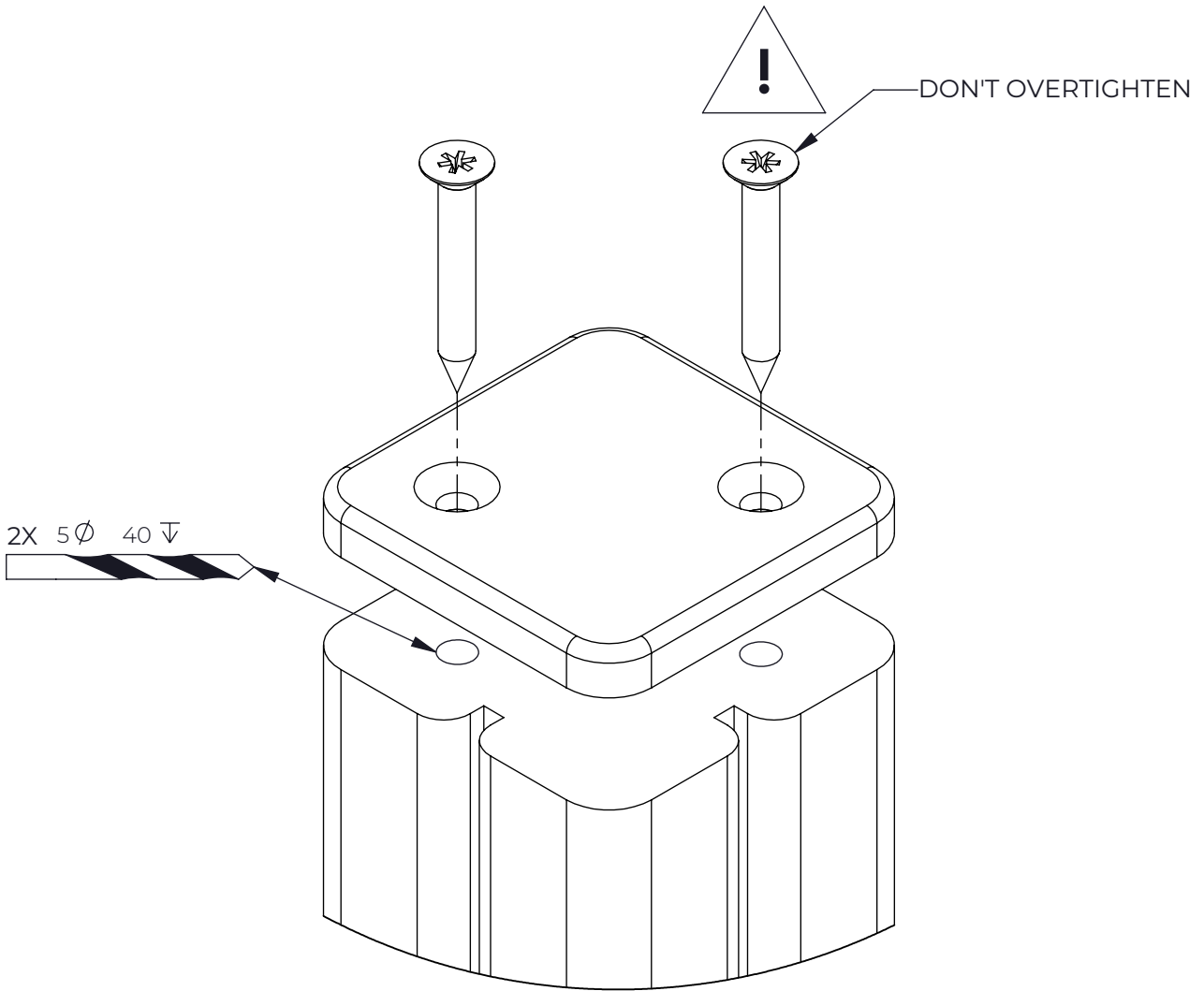
NO.	ITEM CODE			QTY.
1	712307	PLATE	12x200x238	1
2	909855	ALLEN SCREW	M8x35	2
3	900348	ALLEN SCREW	M8x30	4
4	909633	NUT	M8	6
5	901570	CLAMP	36x55x55	4



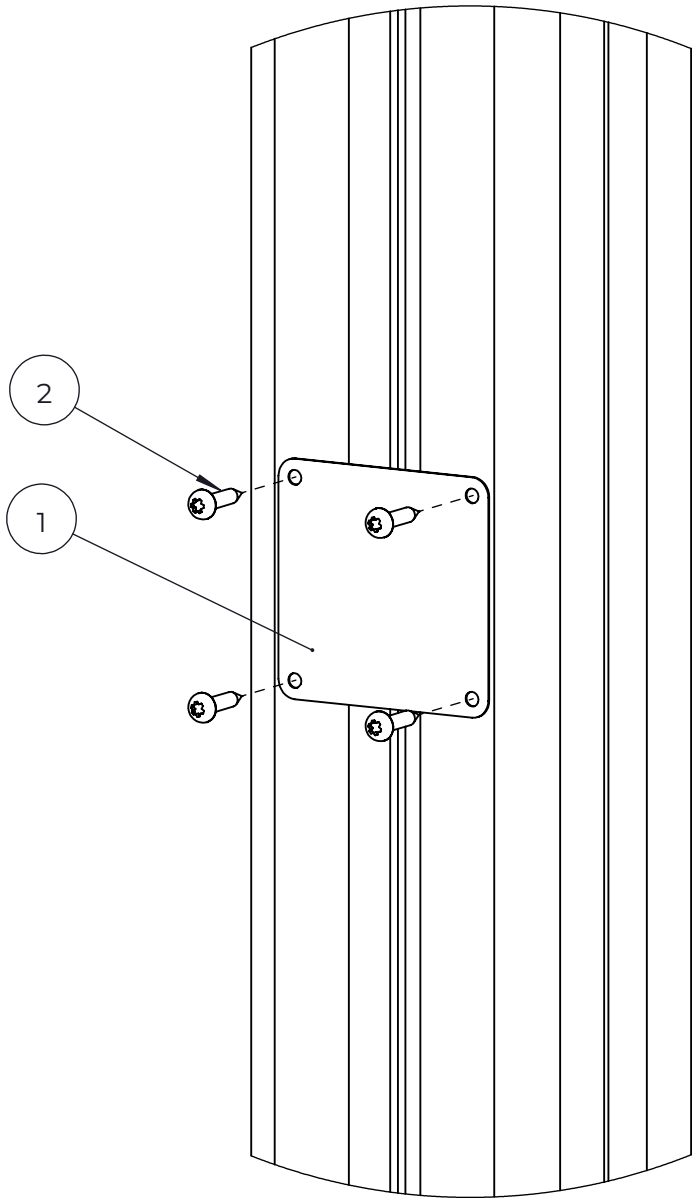
NO.	ITEM CODE			QTY.
1	914419	GRIP	40x119x490	1
2	909256	WASHER	Ø16/8.4x1.6	2
3	900240	SPECIAL SCREW	Ø8x70	2



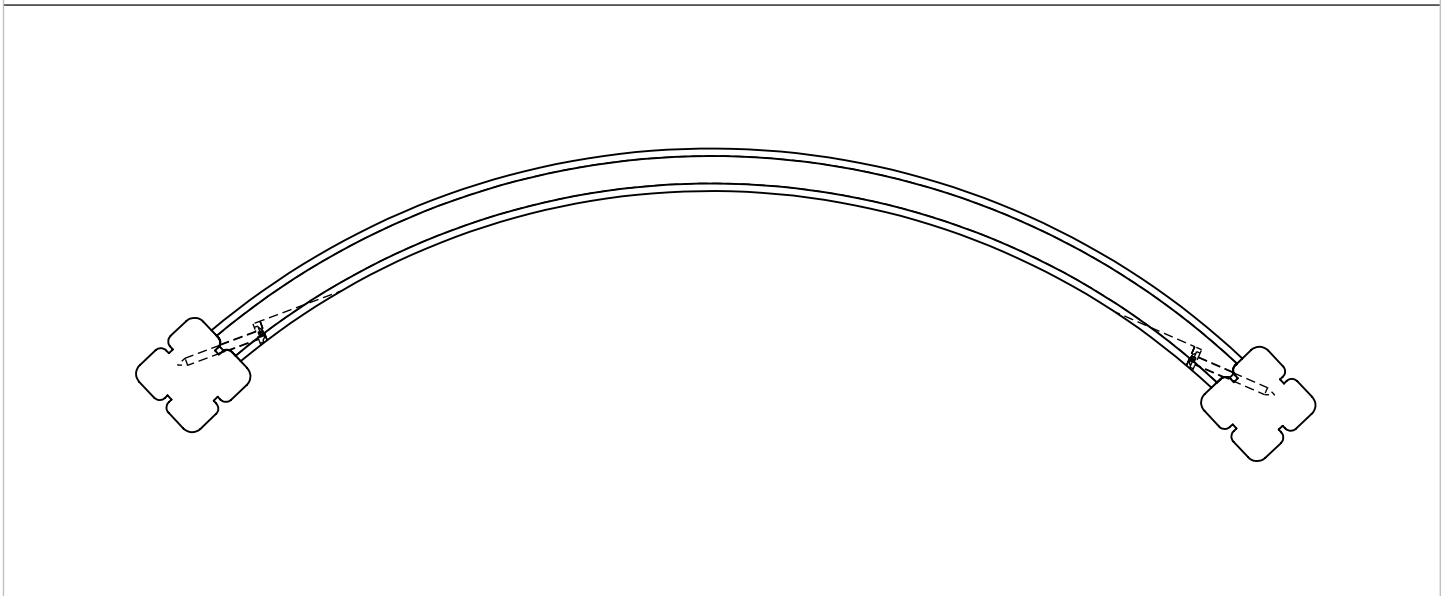
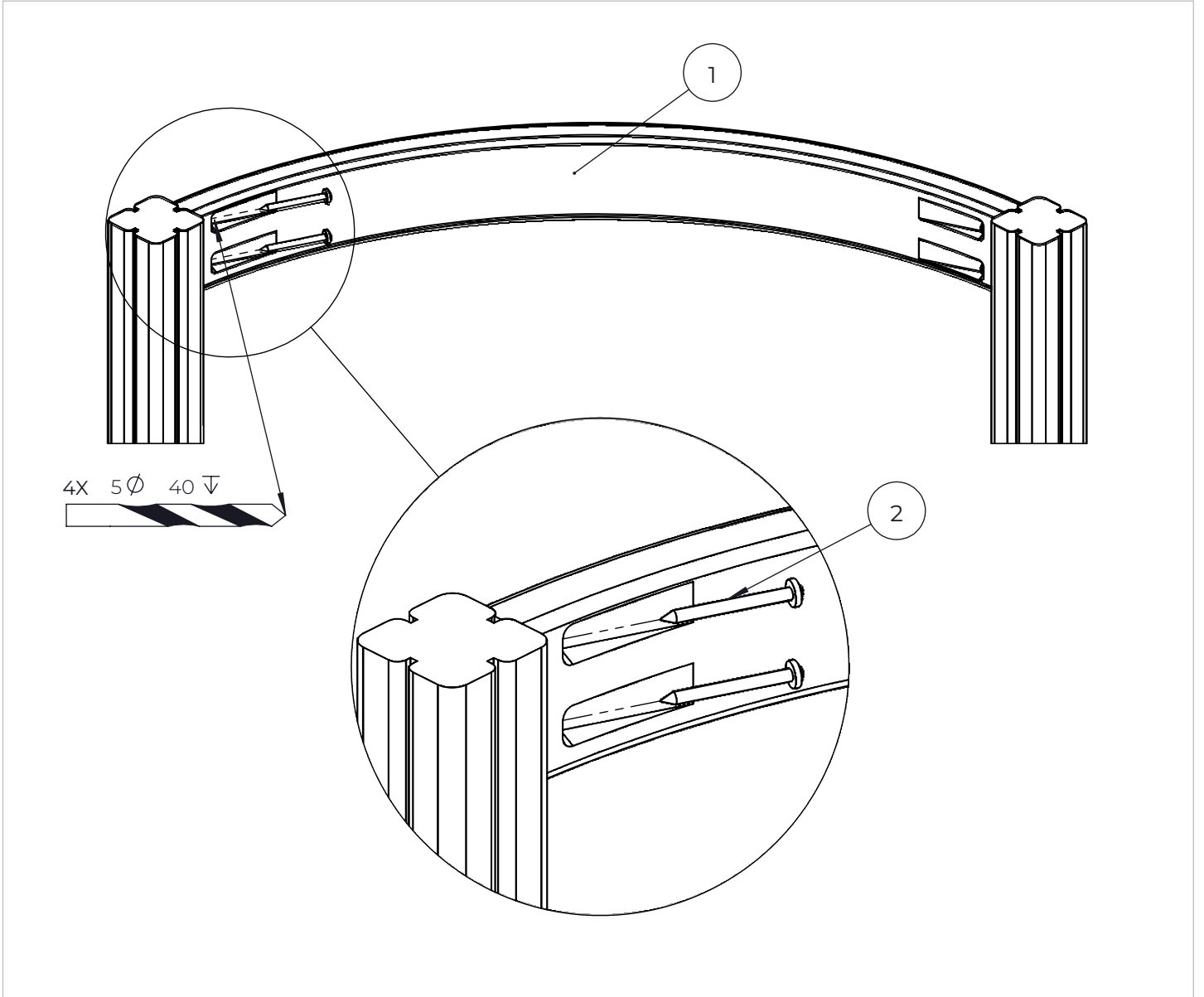
NO.	ITEM CODE			QTY.
1	712079	BOOM	45x120x715	1
2	903093	SPECIAL SCREW	Ø8x90	4



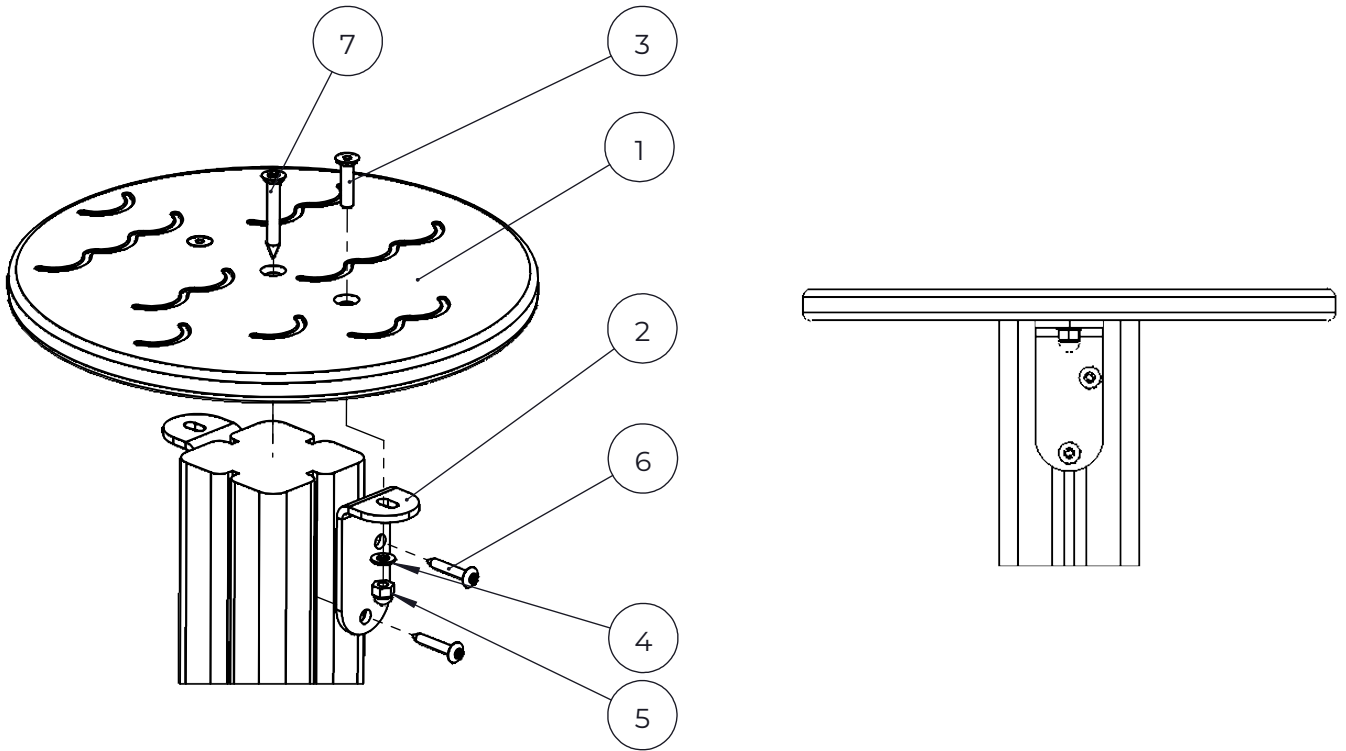
NO.	ITEM CODE			QTY.
1	906630	SCREW	Ø8x60	2
2	711807	TOP HAT	93x93x12	1



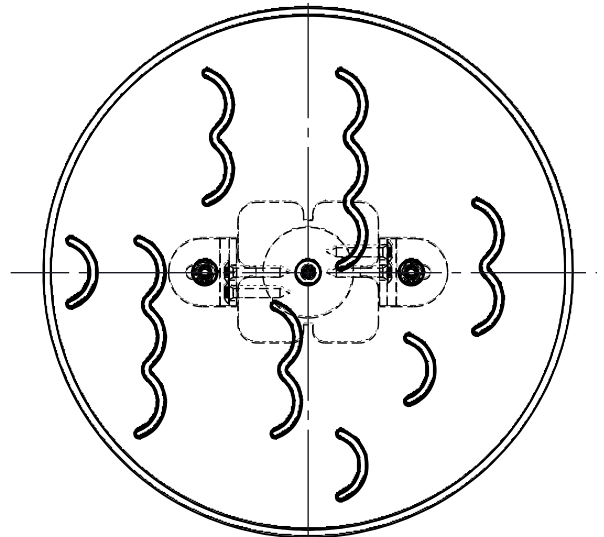
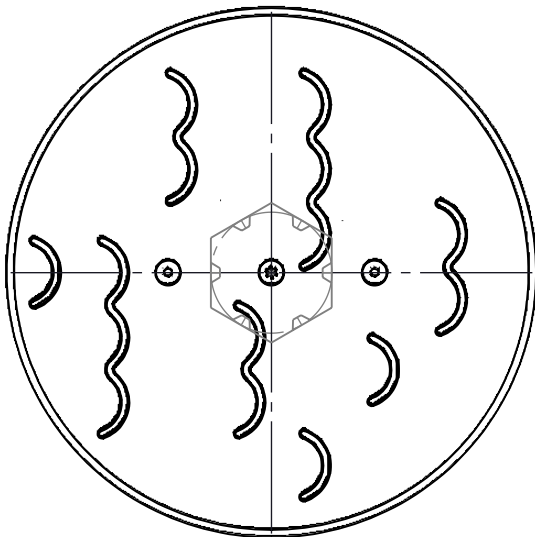
NO.	ITEM CODE			QTY.
1	702286	PRINTED LABEL	65x65	1
2	980114	SCREW	Ø4x20	4



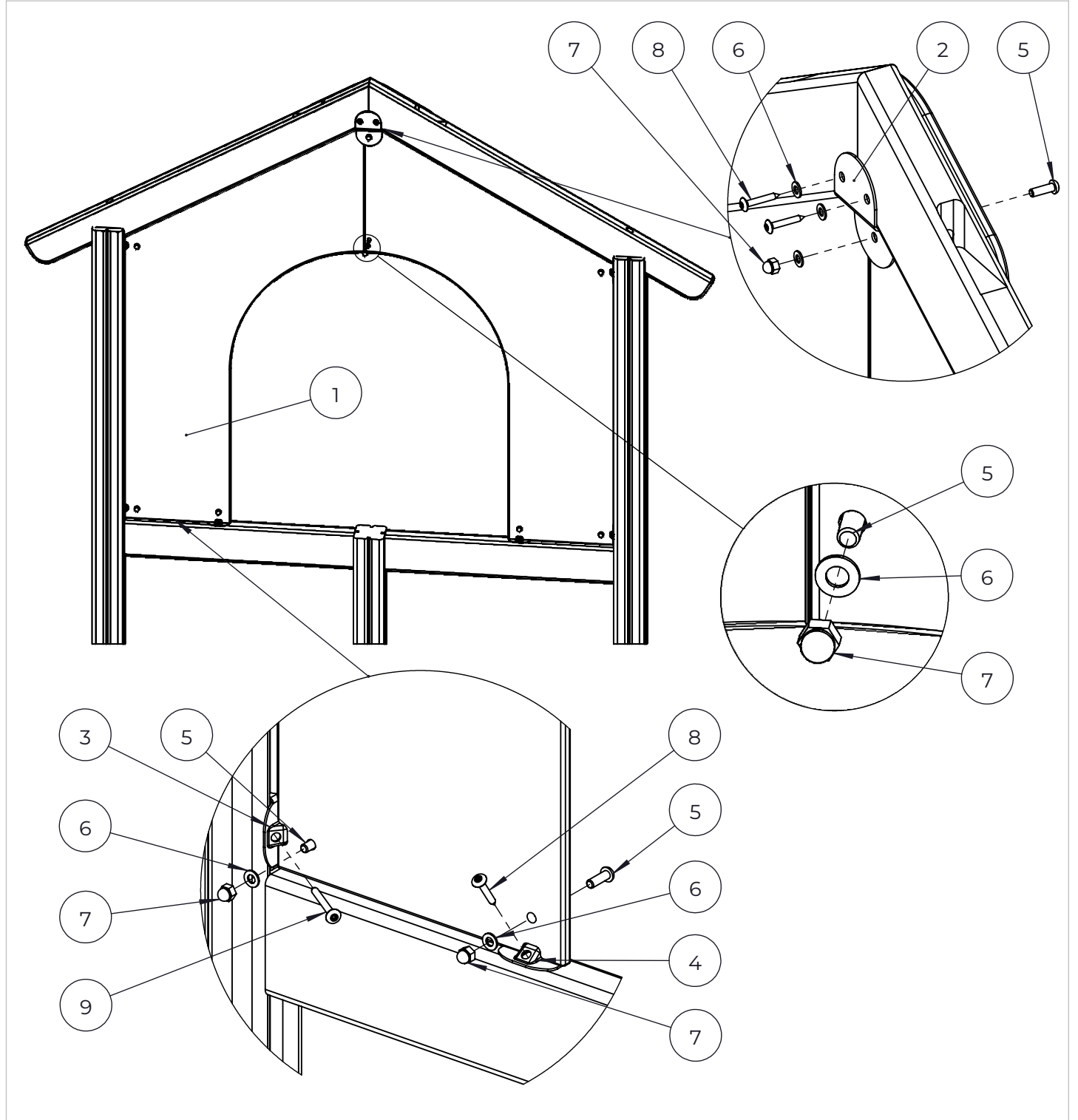
NO.	ITEM CODE			QTY.
1	711718	ARCH ELEMENT	45x120x1096	1
2	903093	SPECIAL SCREW	Ø8x90	4



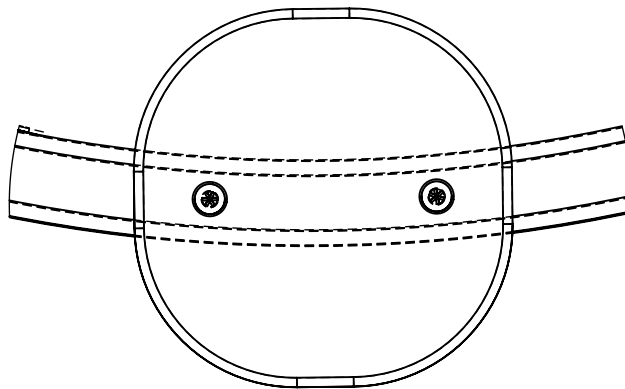
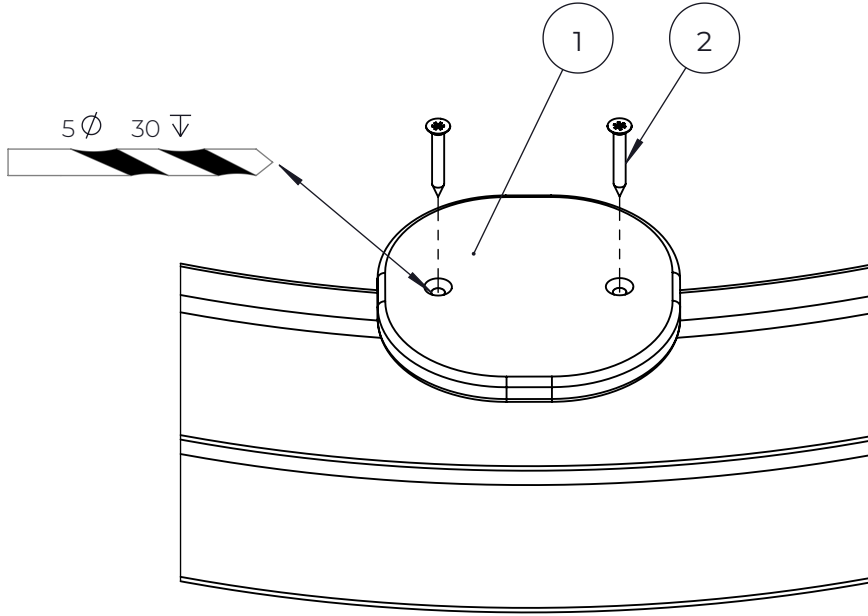
CENTER PLATE TO POST:



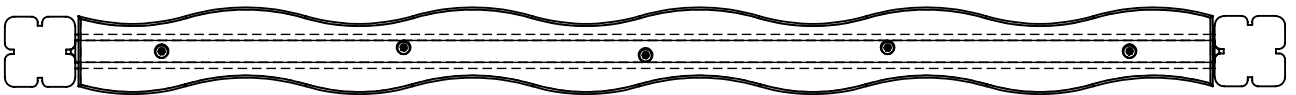
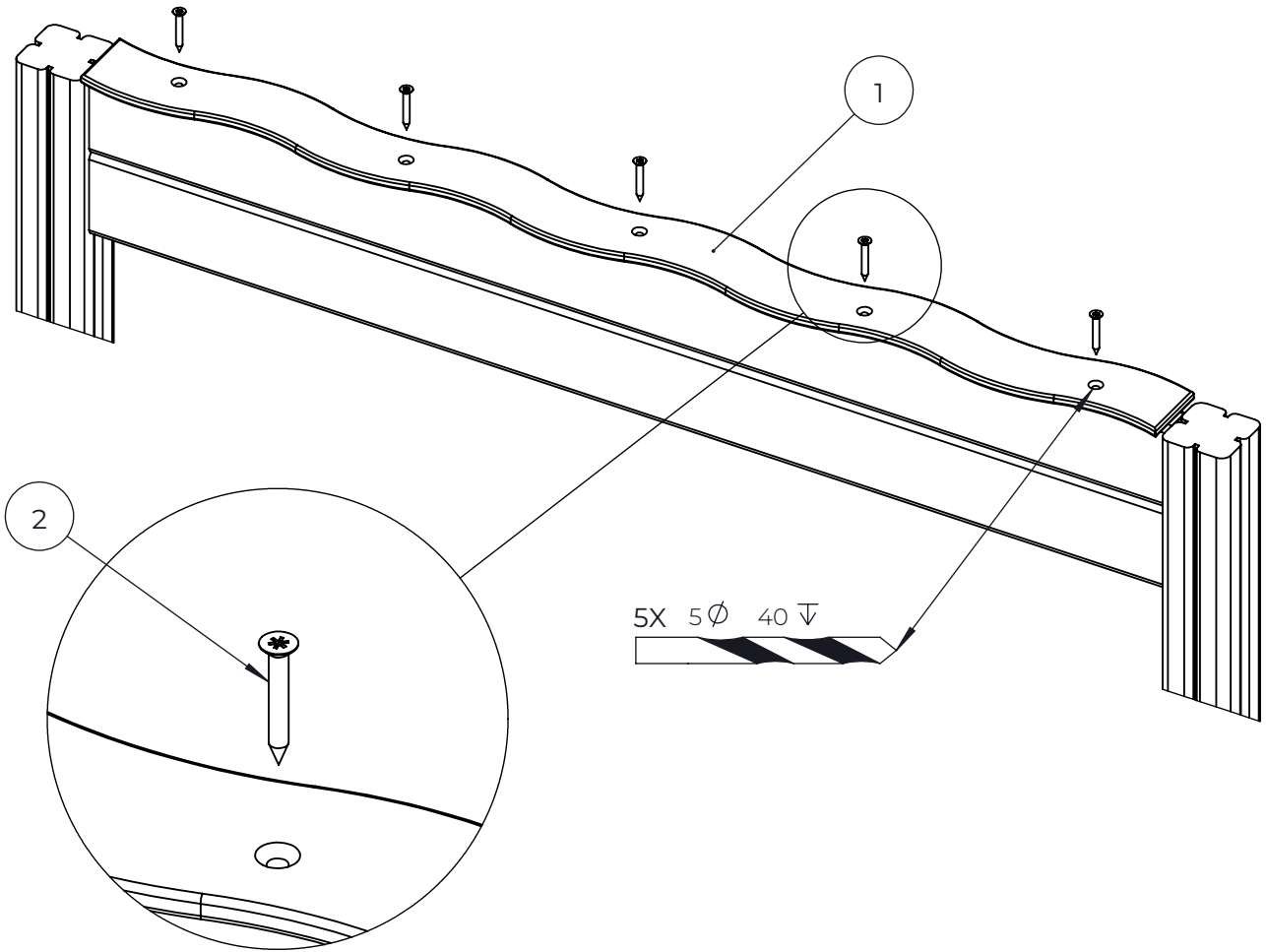
NO.	ITEM CODE			QTY.
1	711704	STEP	Ø350x20	1
2	915612-510	ANGLE PIECE	5x45/35x100 90°	2
3	905857	COUNTERSUNK SCREW	M8x35	2
4	909256	WASHER	Ø16/8.4x1.6	2
5	909633	NUT	M8	2
6	980128	SPECIAL SCREW	Ø7x40	4
7	906630	SCREW	Ø8x60	1



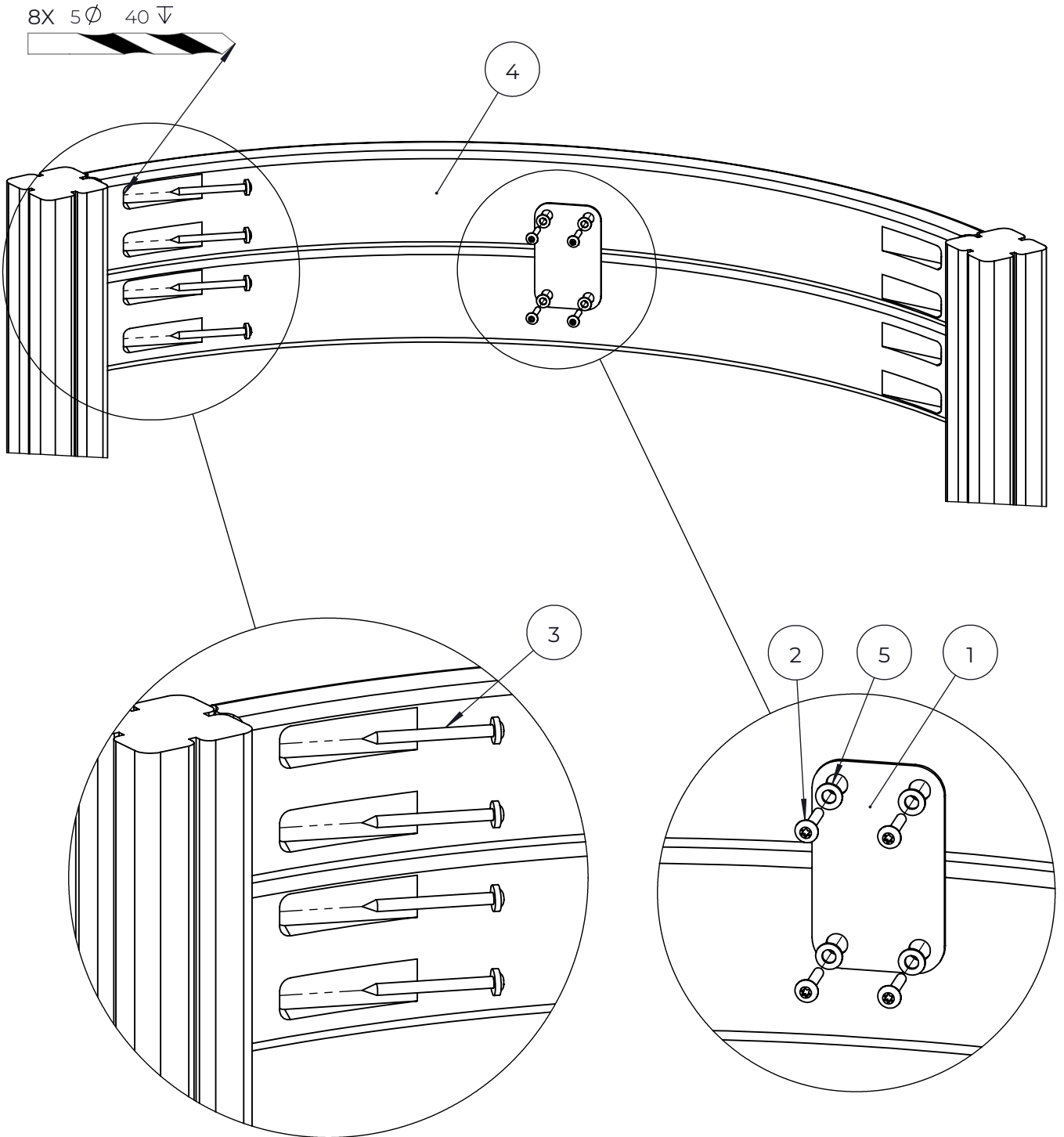
NO.	ITEM CODE			QTY.
1	711765	PLATE	12x766x1395	2
2	914823-454	ATTACHMENT FLANGE	2,5x25x80x128	1
3	903176	CLAMP		4
4	903215	CLAMP		2
5	909850	ALLEN SCREW	M8x25	8
6	909256	WASHER	Ø16/8.4x1.6	10
7	909633	NUT	M8	8
8	980128	SPECIAL SCREW	Ø7x40	4
9	980123	SPECIAL SCREW	Ø7x60	4



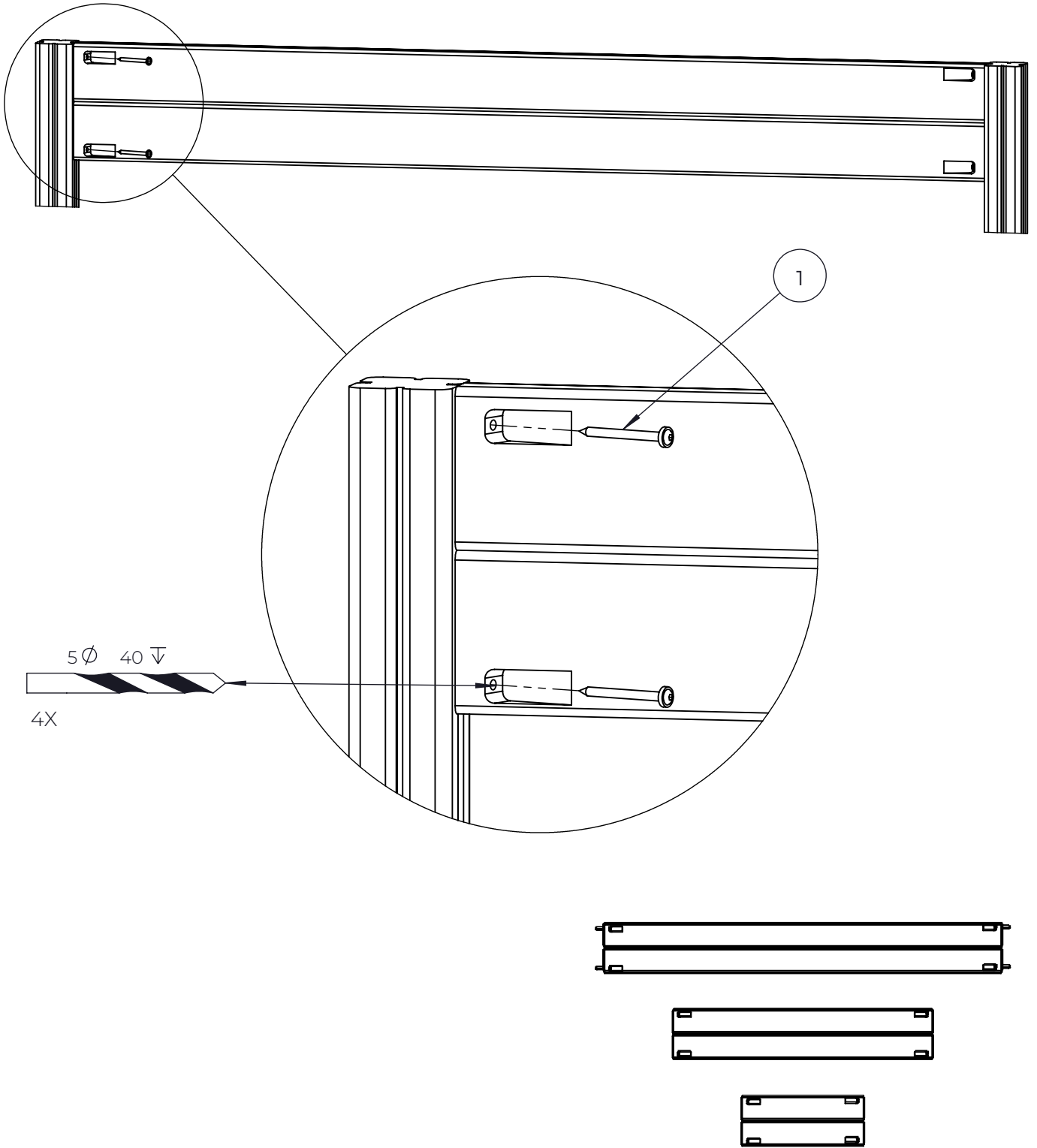
NO.	ITEM CODE			QTY.
1	711848	SEAT	20x200x200	1
2	906630	SCREW	Ø8x60	2



NO.	ITEM CODE			QTY.
1	712794	PLATE	12x114x1500	1
2	906630	SCREW	Ø8x60	5

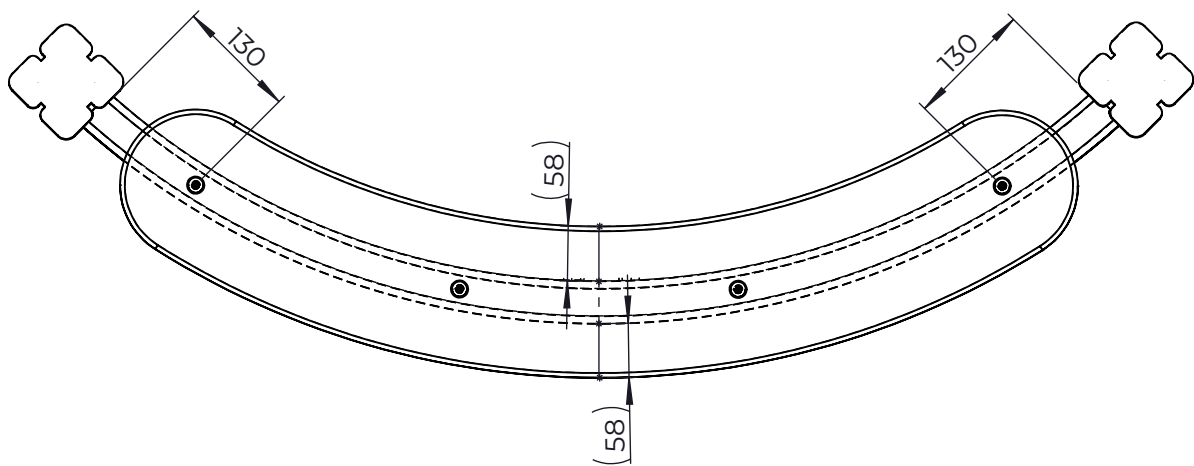
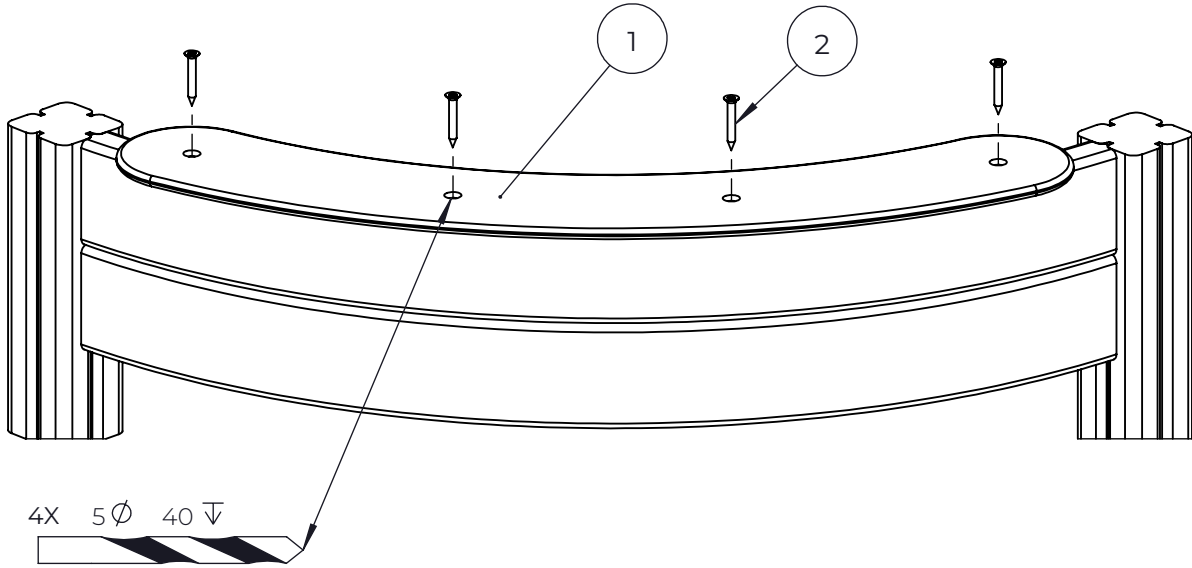


NO.	ITEM CODE			QTY.
1	914818	PLATE	2,5x130x80	1
2	980128	SPECIAL SCREW	Ø7x40	4
3	903093	SPECIAL SCREW	Ø8x90	8
4	712139	ARCH ELEMENT	42x120x1096	2
5	909256	WASHER	Ø16/8.4x1.6	4

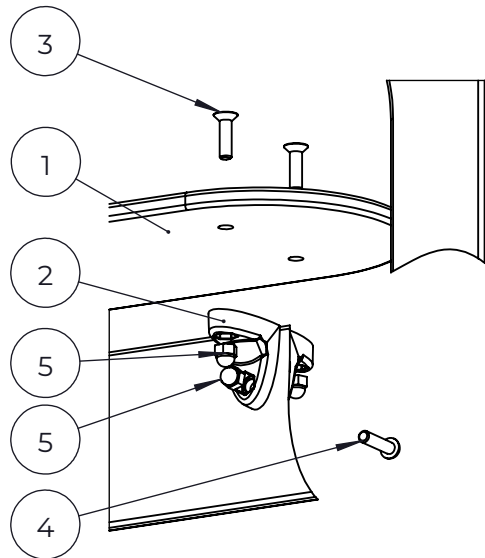
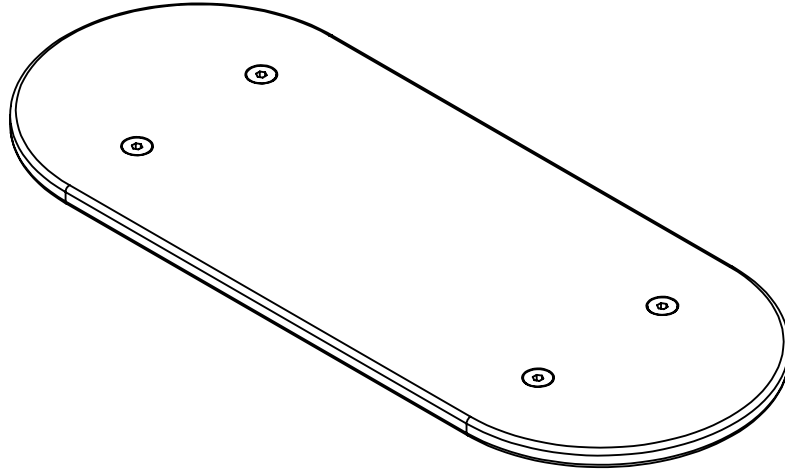


Copyright Lappset Group Ltd

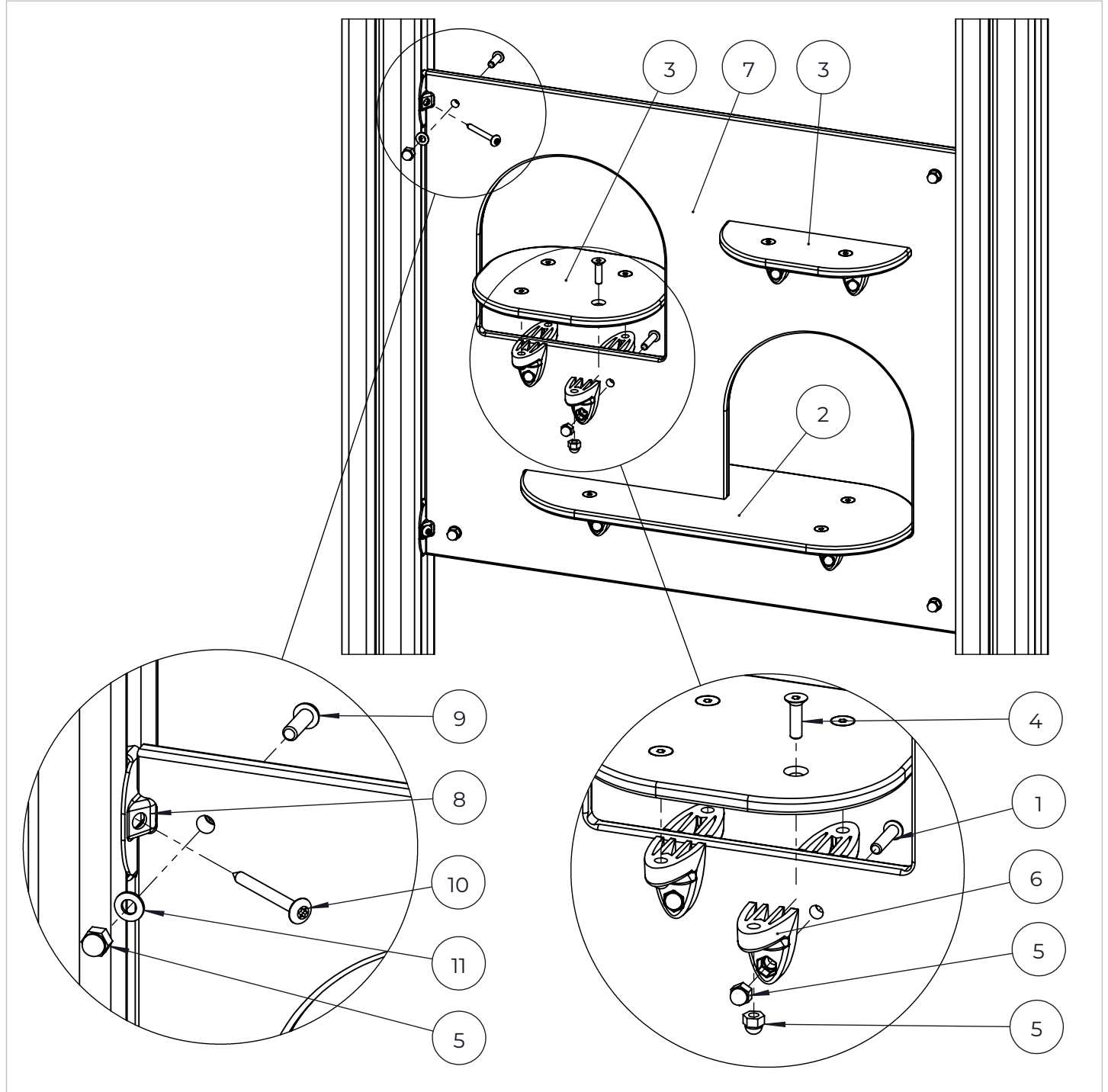
NO.	ITEM CODE			QTY.
1	903093	SPECIAL SCREW	Ø8x90	4



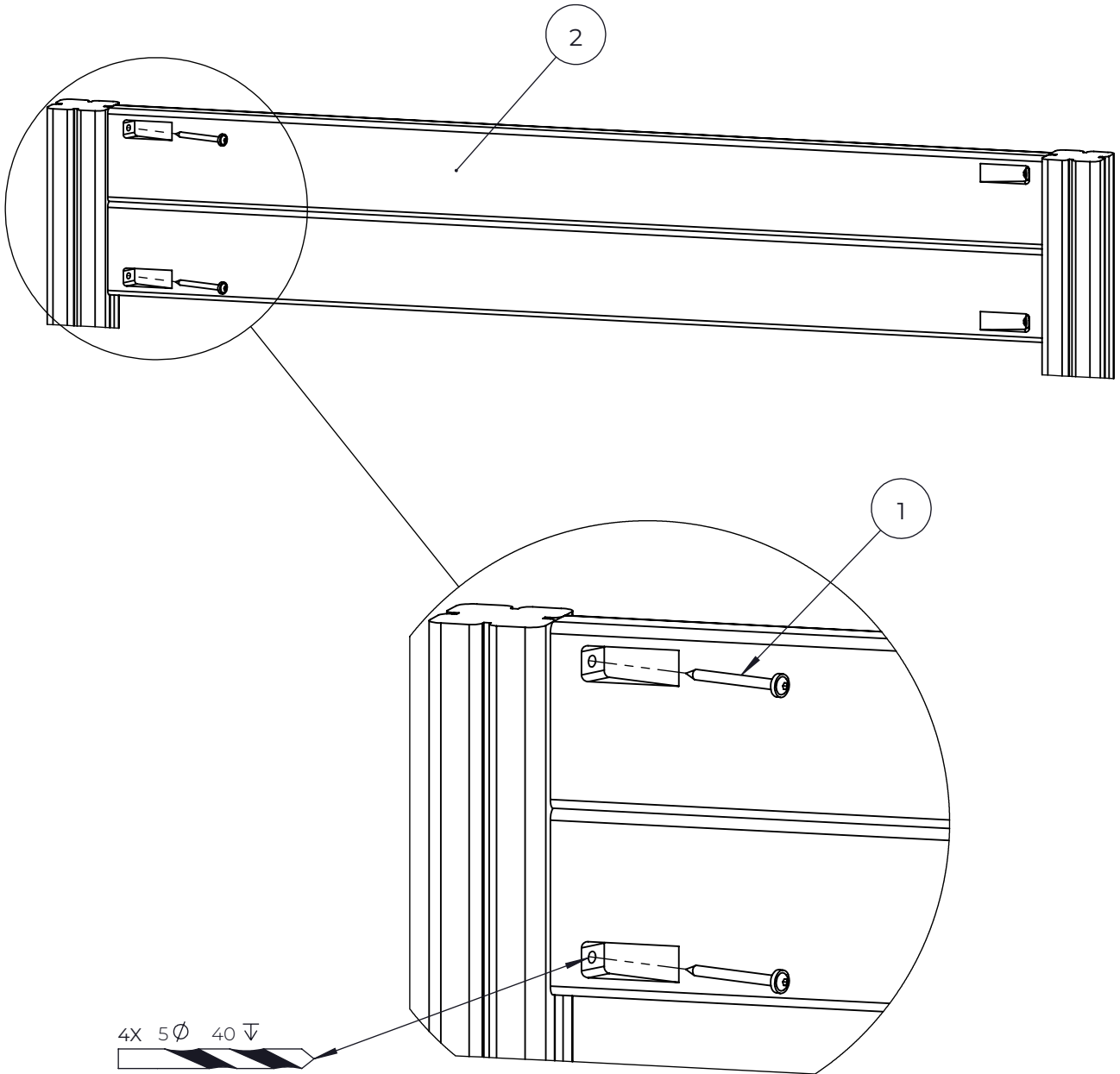
NO.	ITEM CODE			QTY.
1	711801	PLATE	12x283x1013	1
2	906630	SCREW	Ø8x60	4



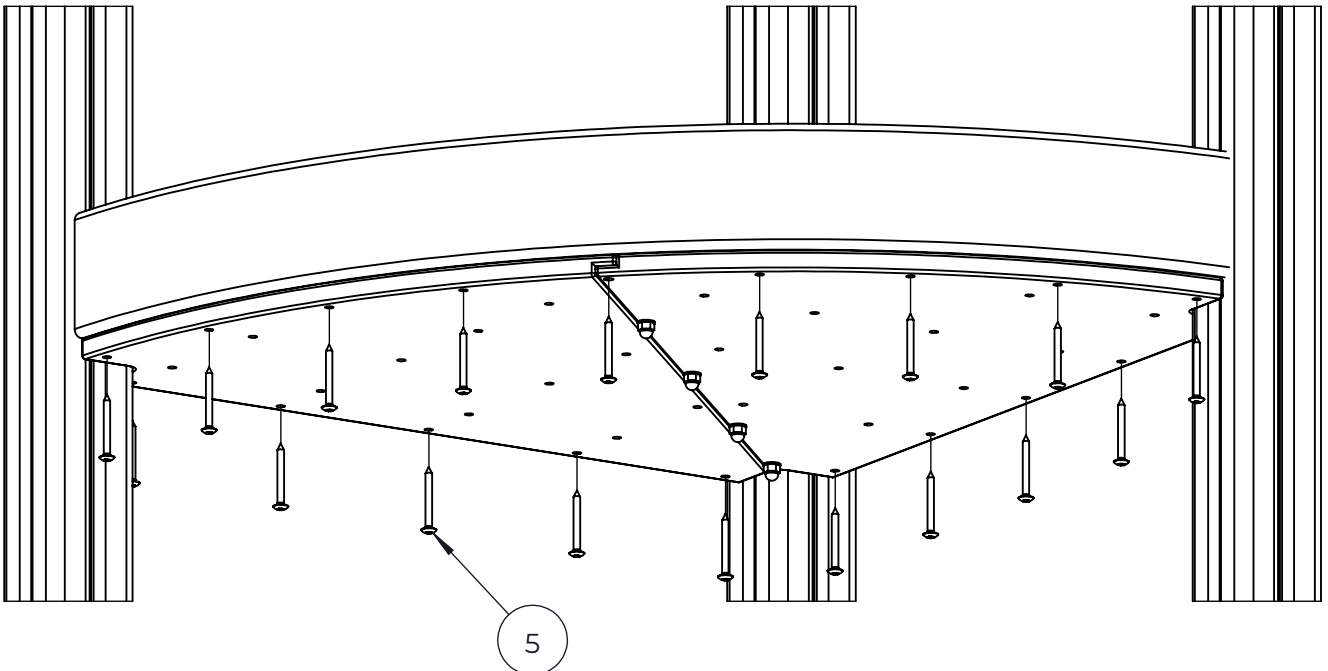
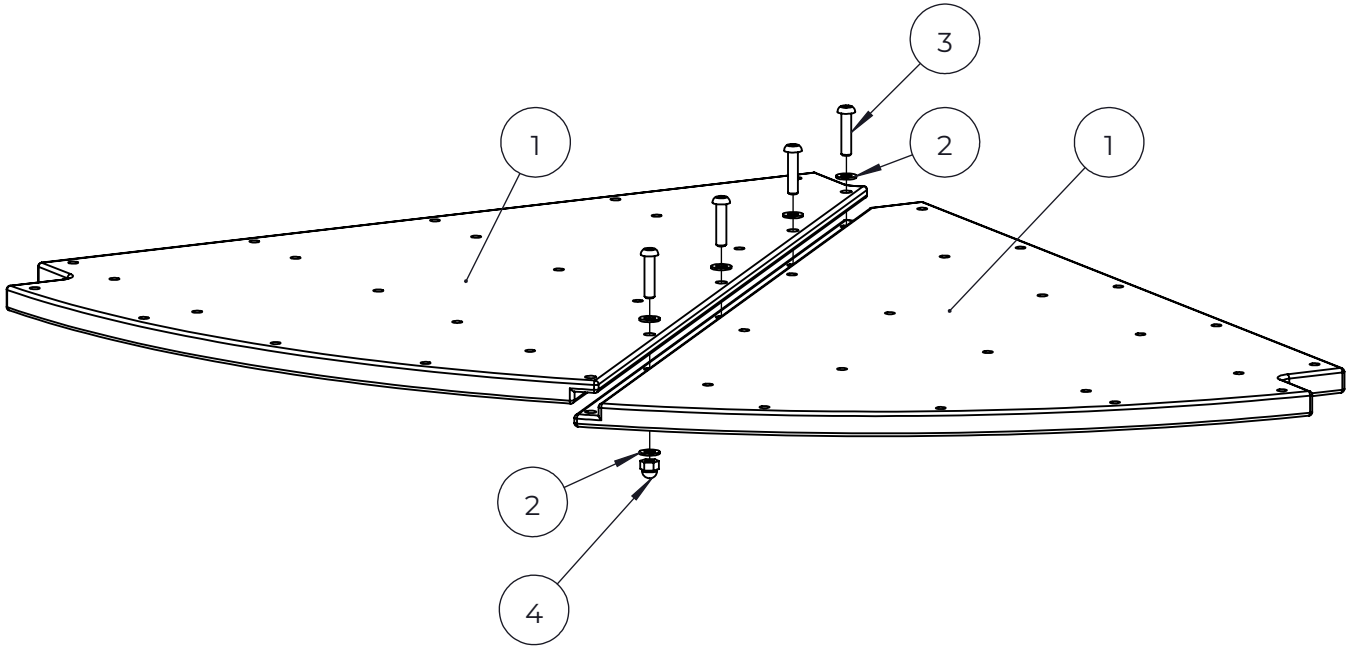
NO.	ITEM CODE			QTY.
1	712308	PLATE	12x200x500	1
2	901570	CLAMP	36x55x55	4
3	900348	ALLEN SCREW	M8x30	4
4	909855	ALLEN SCREW	M8x35	2
5	909633	NUT	M8	6



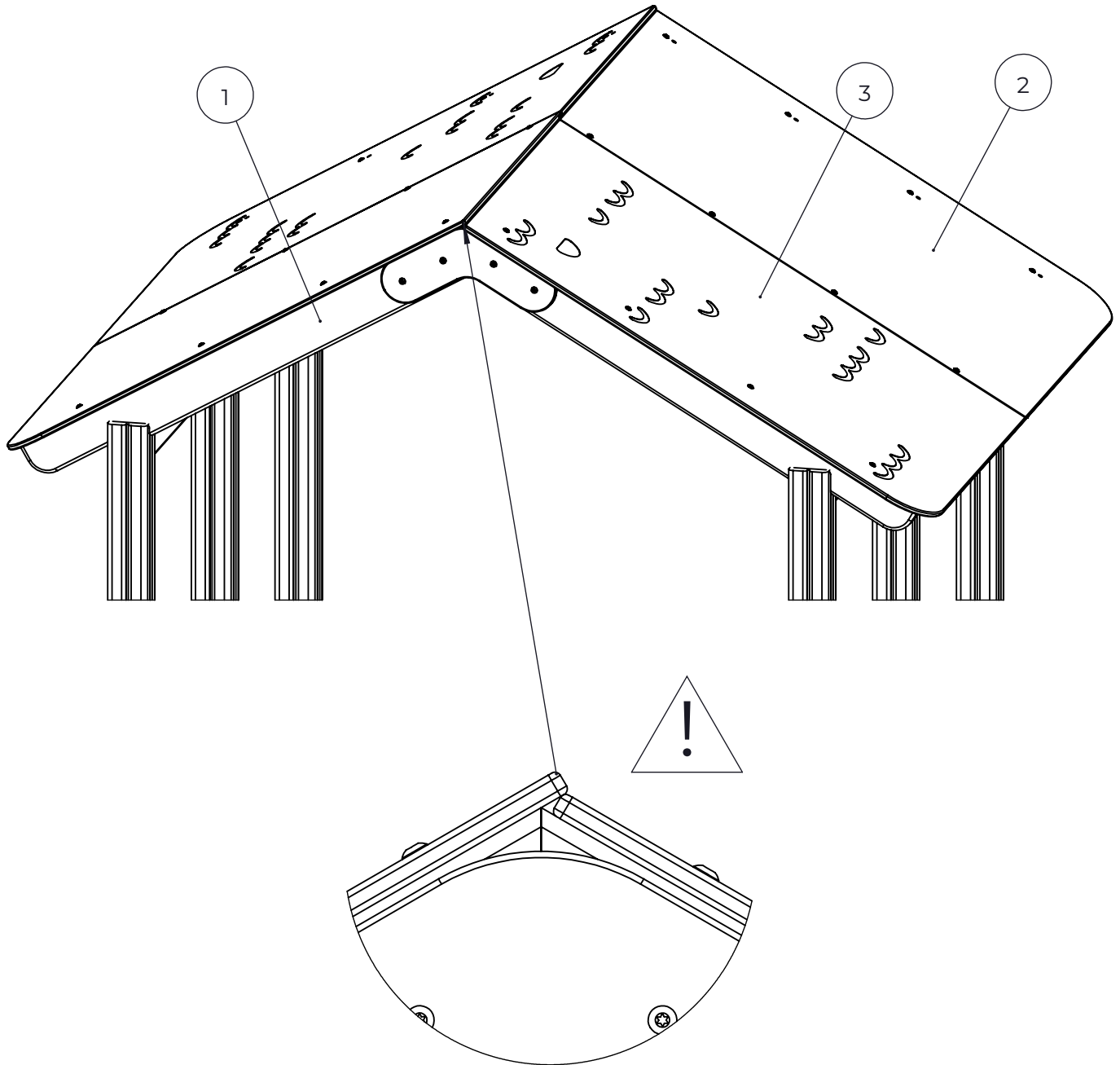
NO.	ITEM CODE			QTY.
1	909855	ALLEN SCREW	M8x35	4
2	713001	TABLE	200x500	1
3	712307	PLATE	12x200x238	2
4	900348	ALLEN SCREW	M8x30	8
5	909633	NUT	M8	16
6	901570	CLAMP	36x55x55	8
7	712306	PLATE	12x640x702	1
8	903176	CLAMP		4
9	909850	ALLEN SCREW	M8x25	4
10	980123	SPECIAL SCREW	Ø7x60	4
11	909256	WASHER	Ø16/8.4x1.6	4



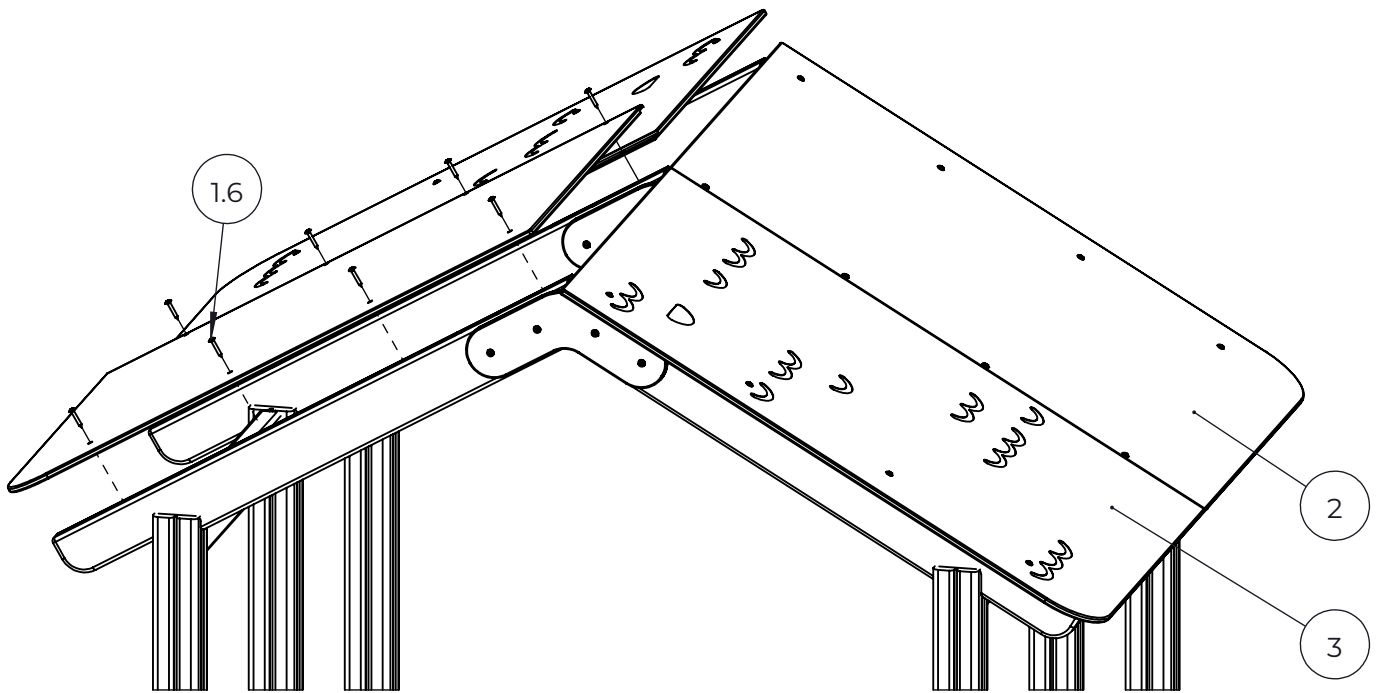
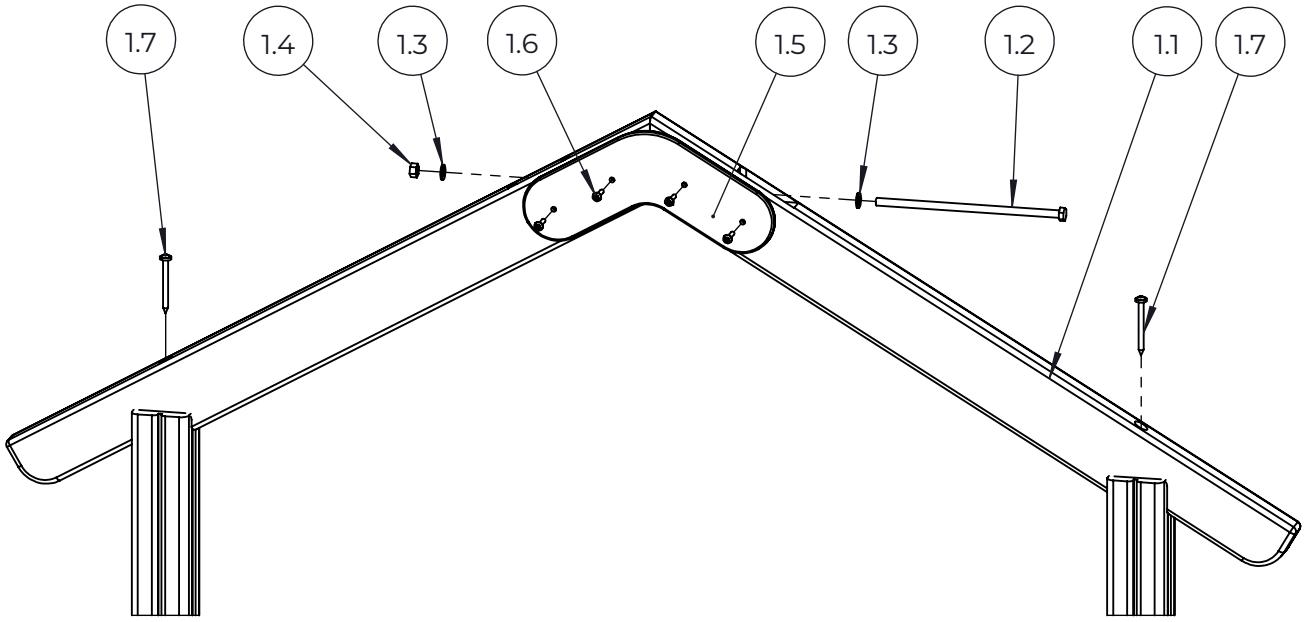
NO.	ITEM CODE			QTY.
1	903093	SPECIAL SCREW	Ø8x90	4
2	712937	BOOM ELEMENT	45x290x1524	1



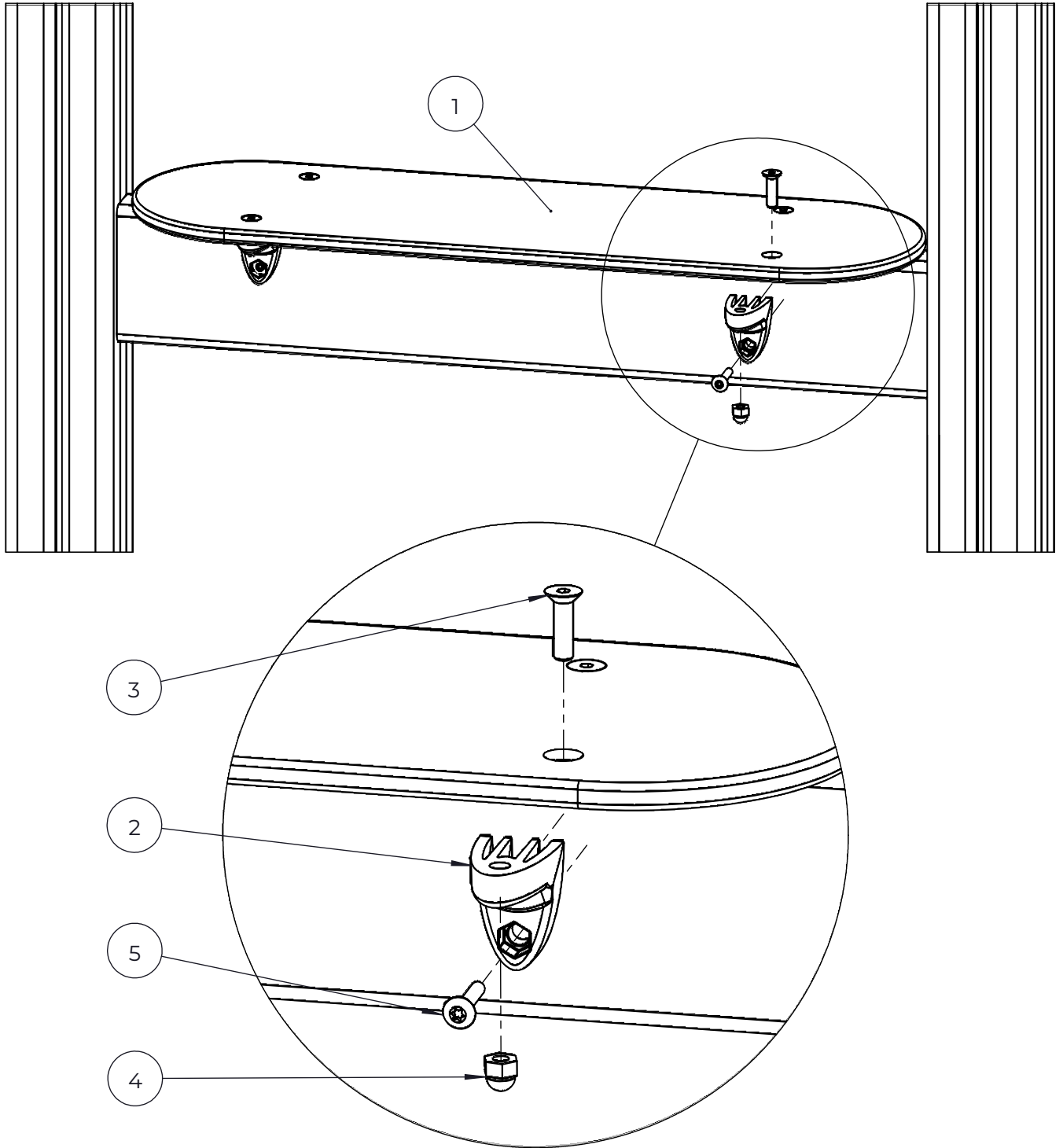
NO.	ITEM CODE			QTY.
1	712377	PLATE	20x598x777	2
2	909256	WASHER	Ø16/8.4x1.6	8
3	909855	ALLEN SCREW	M8x35	4
4	909633	NUT	M8	4
5	980123	SPECIAL SCREW	Ø7x60	19



NO.	ITEM CODE			QTY.
1	712848	SUPPORT	1600	3
2	712437	PLATE	12x928x1263	2
3	712358	PLATE	12x928x1263	2



NO.	ITEM CODE			QTY.
1	712848	SUPPORT	1600	3
1.1	712376	PLANK	45x120x1220	2
1.2	909129	BOLT	M12x300	1
1.3	980154	WASHER	M12 13 / 24	2
1.4	980153	NUT	M12	1
1.5	712425	PLATE	12x190x410	1
1.6	980128	SPECIAL SCREW	Ø7x40	12
1.7	903093	SPECIAL SCREW	Ø8x90	2
2	712437	PLATE	12x928x1263	2
3	712358	PLATE	12x928x1263	2



NO.	ITEM CODE			QTY.
1	711701	STEP	12x200x680	1
2	901570	CLAMP	36x55x55	4
3	900348	ALLEN SCREW	M8x30	4
4	909633	NUT	M8	4
5	980128	SPECIAL SCREW	Ø7x40	4