

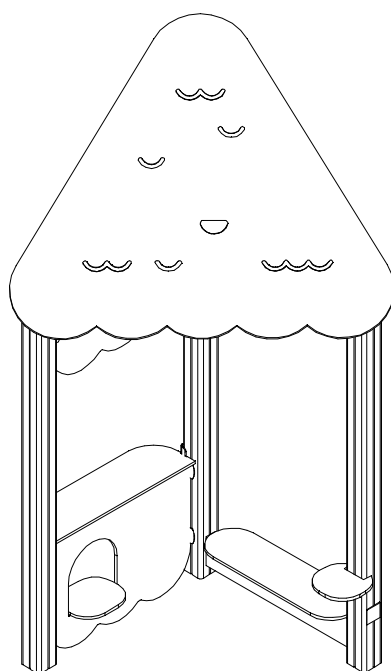
LAPPSET®

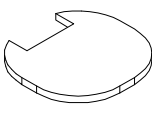

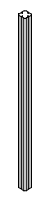
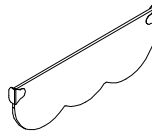
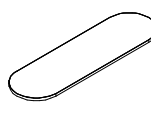
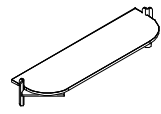




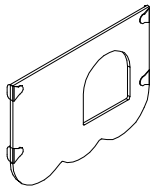
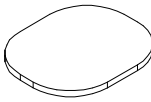
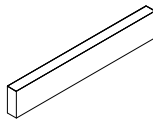
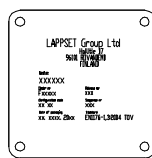
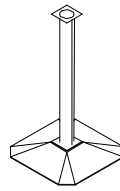
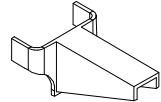






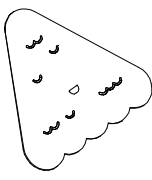
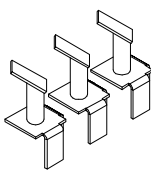

PRIME

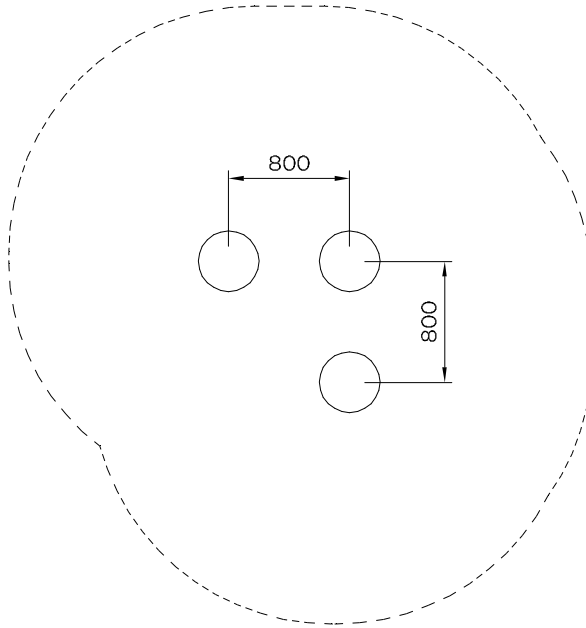
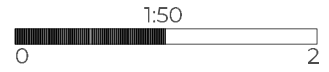
ASENNUSOHJE
MONTERINGSANSVISNING
INSTALLATION INSTRUCTION
AUFBAUANLEITUNG
NOTICE D'INSTALLATION

DATE: 28.1.2026

F24700M

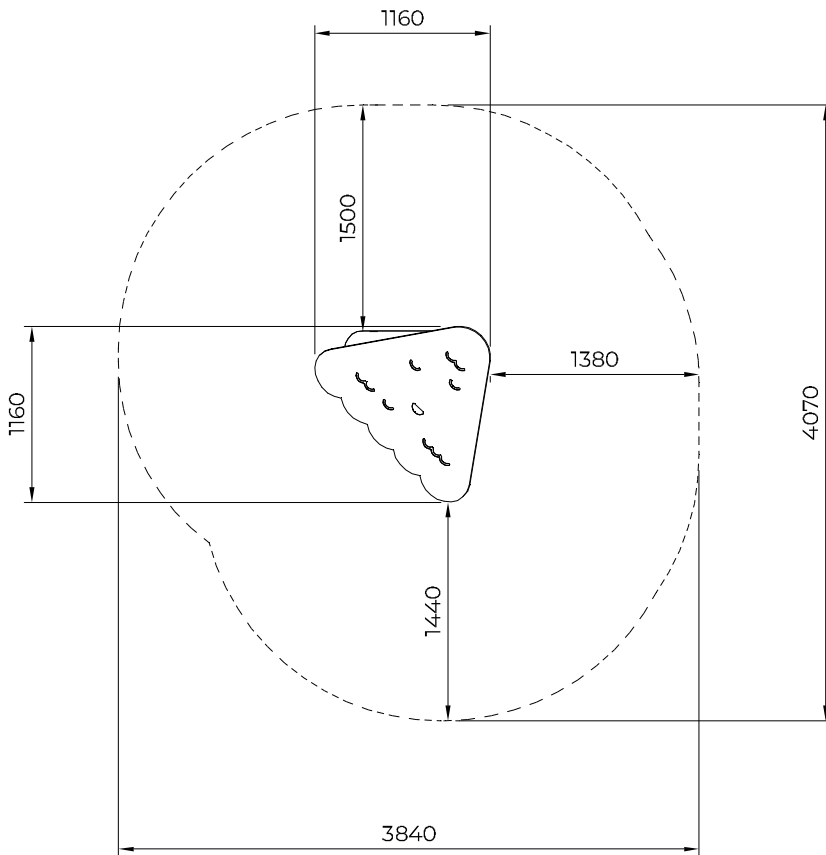


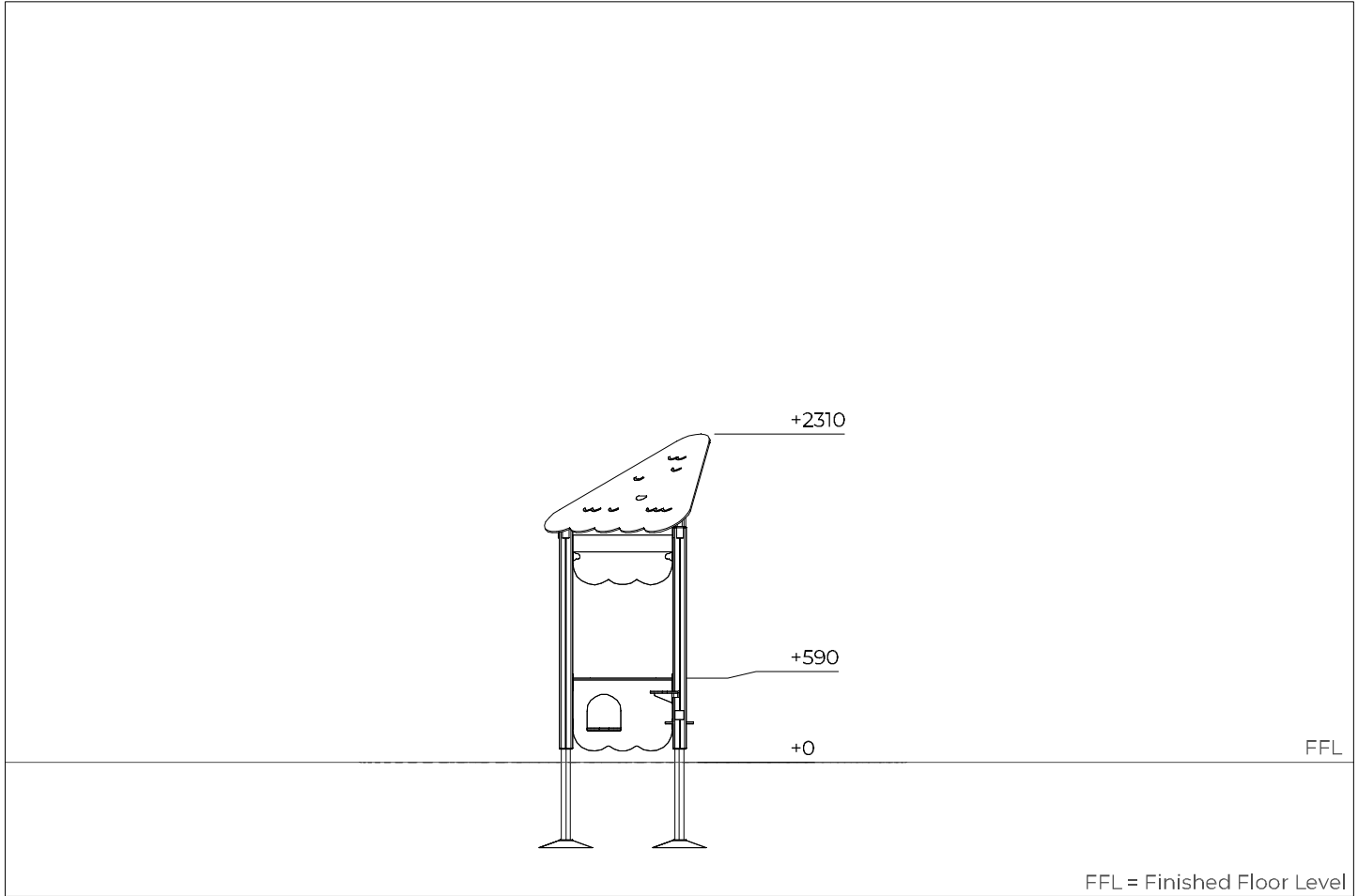
| | | | | | | | | | | | |
|---|----------|---|----------|---|----------|---|----------|---|----------|---|----------|
| 712007 | PCS 1 | 712031-001 | PCS 2 | 712035-001 | PCS 1 | 712434 | PCS 1 | 712458 | PCS 1 | 712488 | PCS 1 |
|  | |  | |  | |  | |  | |  | |
|  | | L 1550 | | L 1950 | |  | |  | |  | |
| 712676 | PCS 1 | 712683 | PCS 1 | 712747-001 | PCS 2 | 712797 | PCS 1 | 712889 | PCS 3 | 712910 | PCS 1 |
|  | |  | |  | |  | |  | |  | |
|  | |  | | L 704  | |  | | L 700  | |  | |
| 713337 | PCS 1 | 713345 | PCS 1 | | PCS | | PCS | | PCS | | PCS |
|  | |  | | | | | | | | | |
| 12x1199x1336 | |  | | | | | | | | | |
| | PCS | | PCS | | PCS | | PCS | | PCS | | PCS |
| | | | | | | | | | | | |
| | PCS | | PCS | | PCS | | PCS | | PCS | | PCS |
| | | | | | | | | | | | |
| | PCS | | PCS | | PCS | | PCS | | PCS | | PCS |
| | | | | | | | | | | | |
| | PCS | | PCS | | PCS | | PCS | | PCS | | PCS |
| | | | | | | | | | | | |



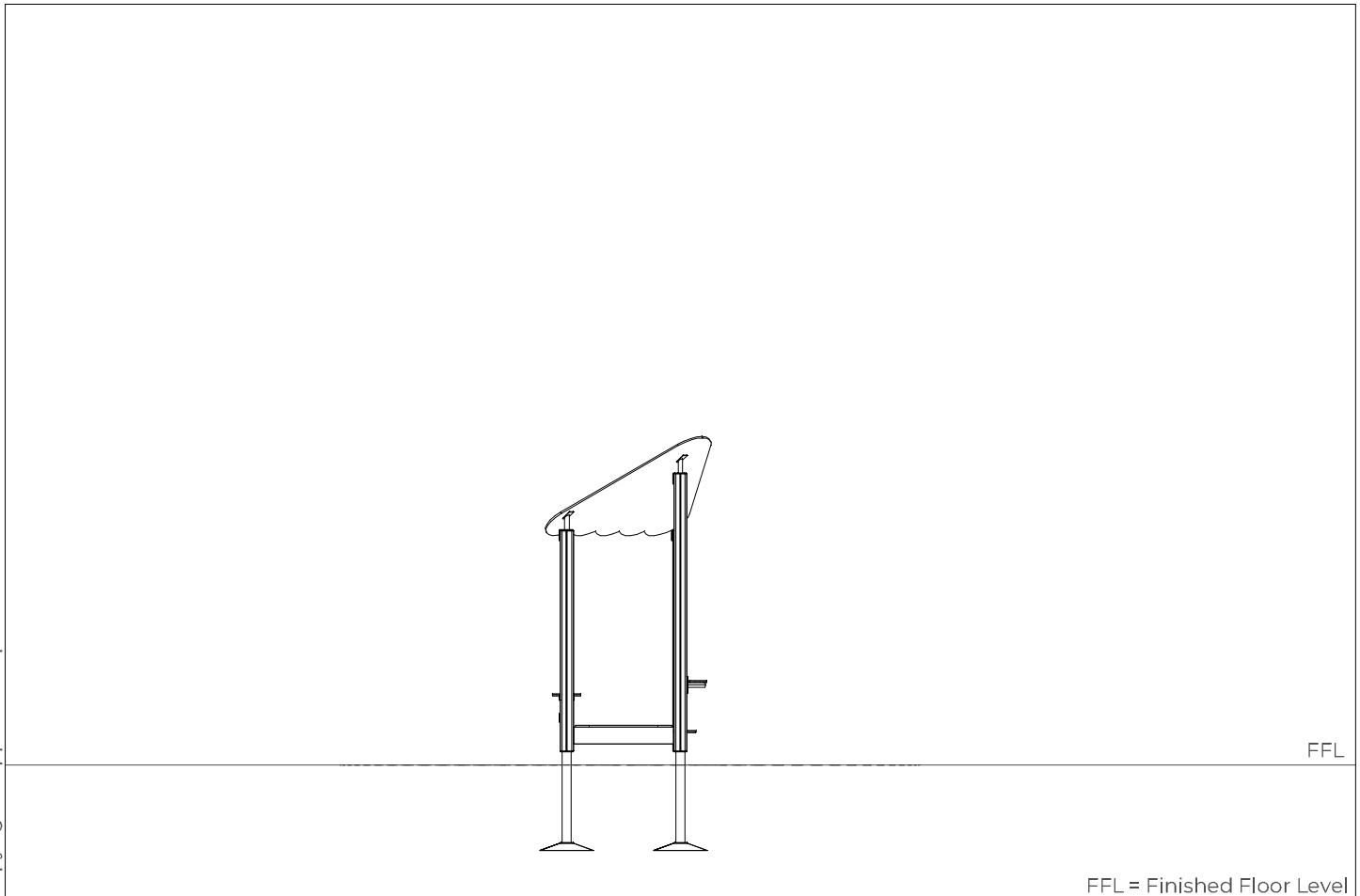
— Falling Space 12 m²
- - - Max Falling Height 590 mm

0 1:50 2

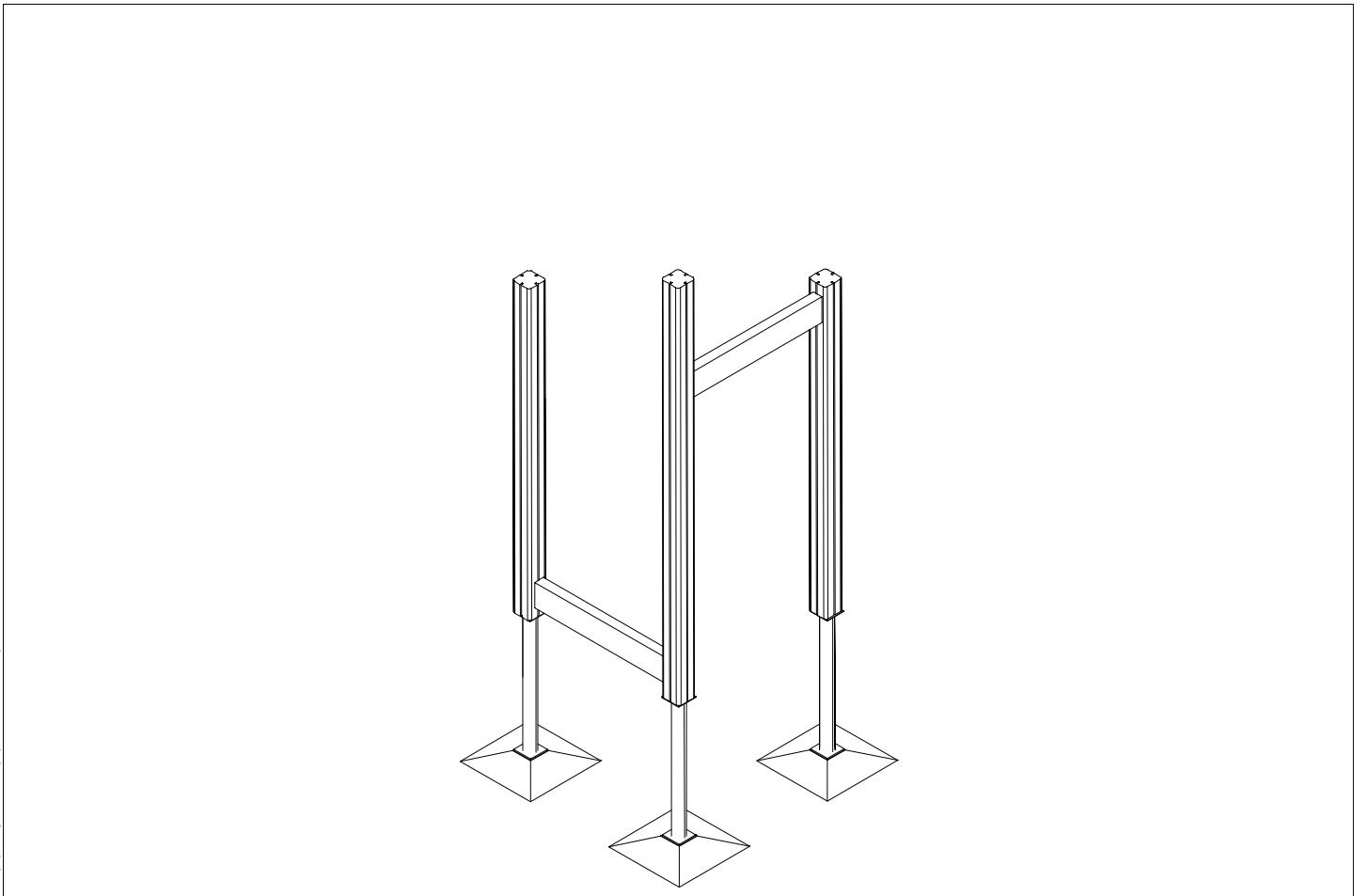
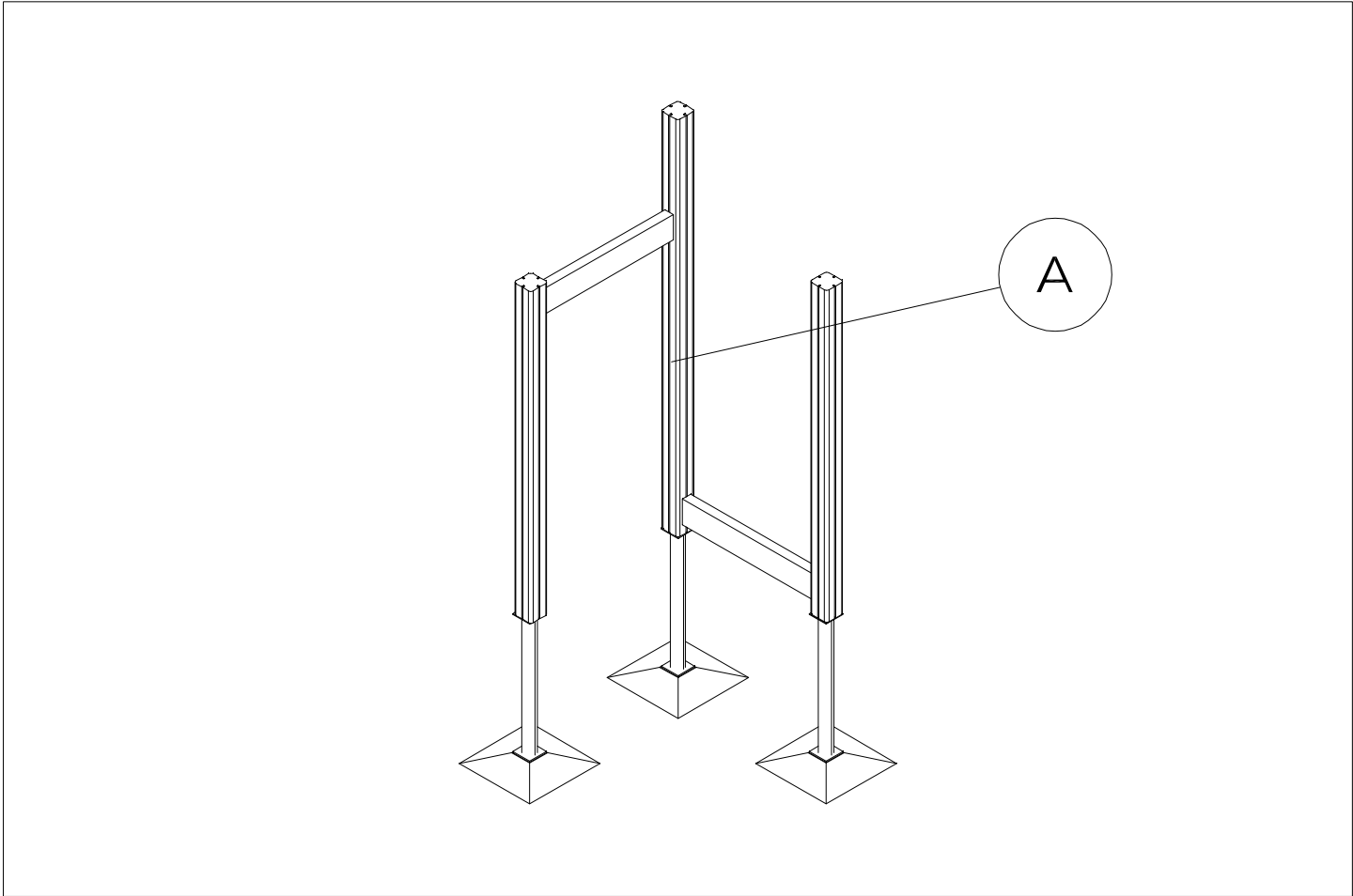


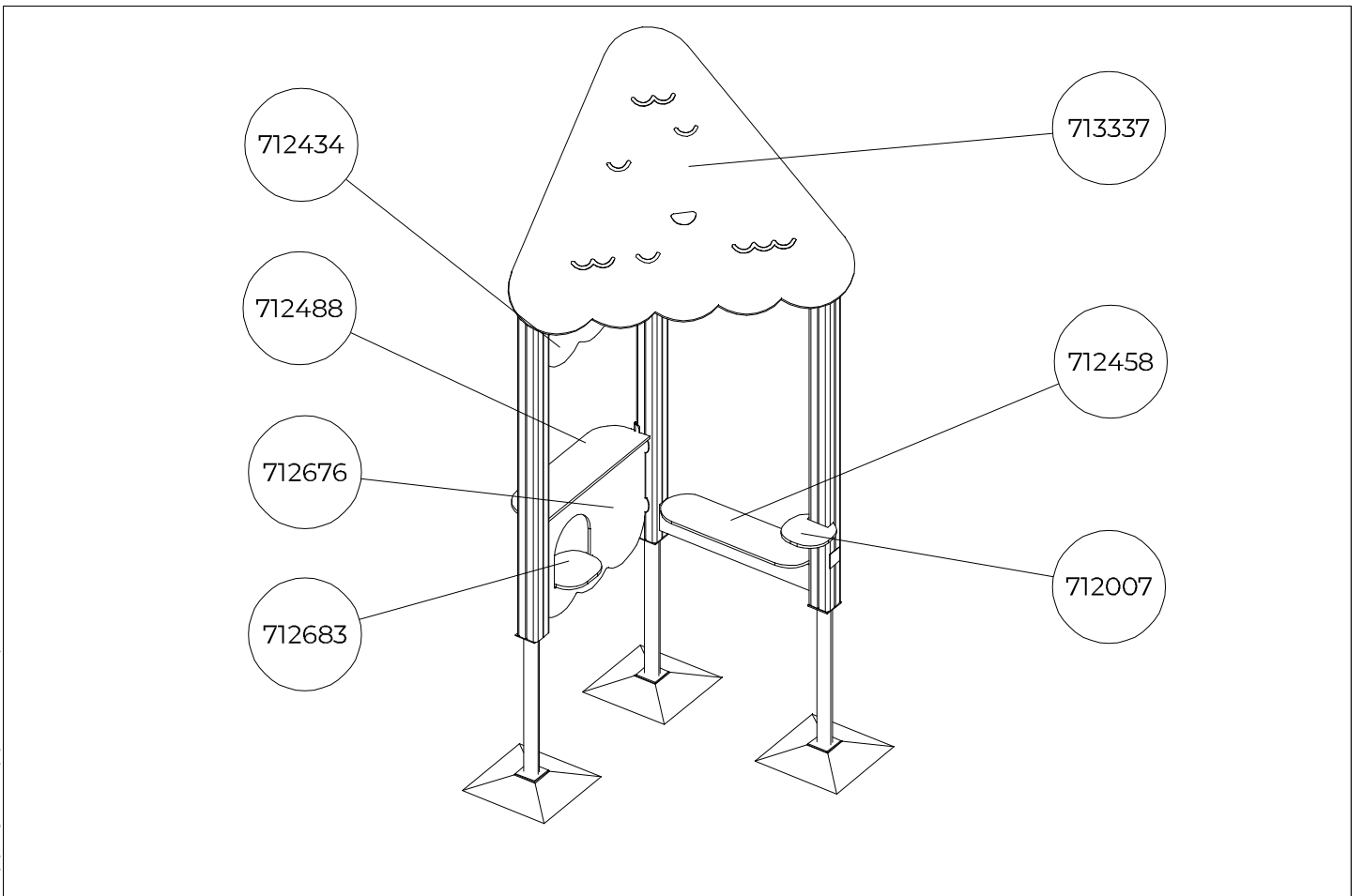
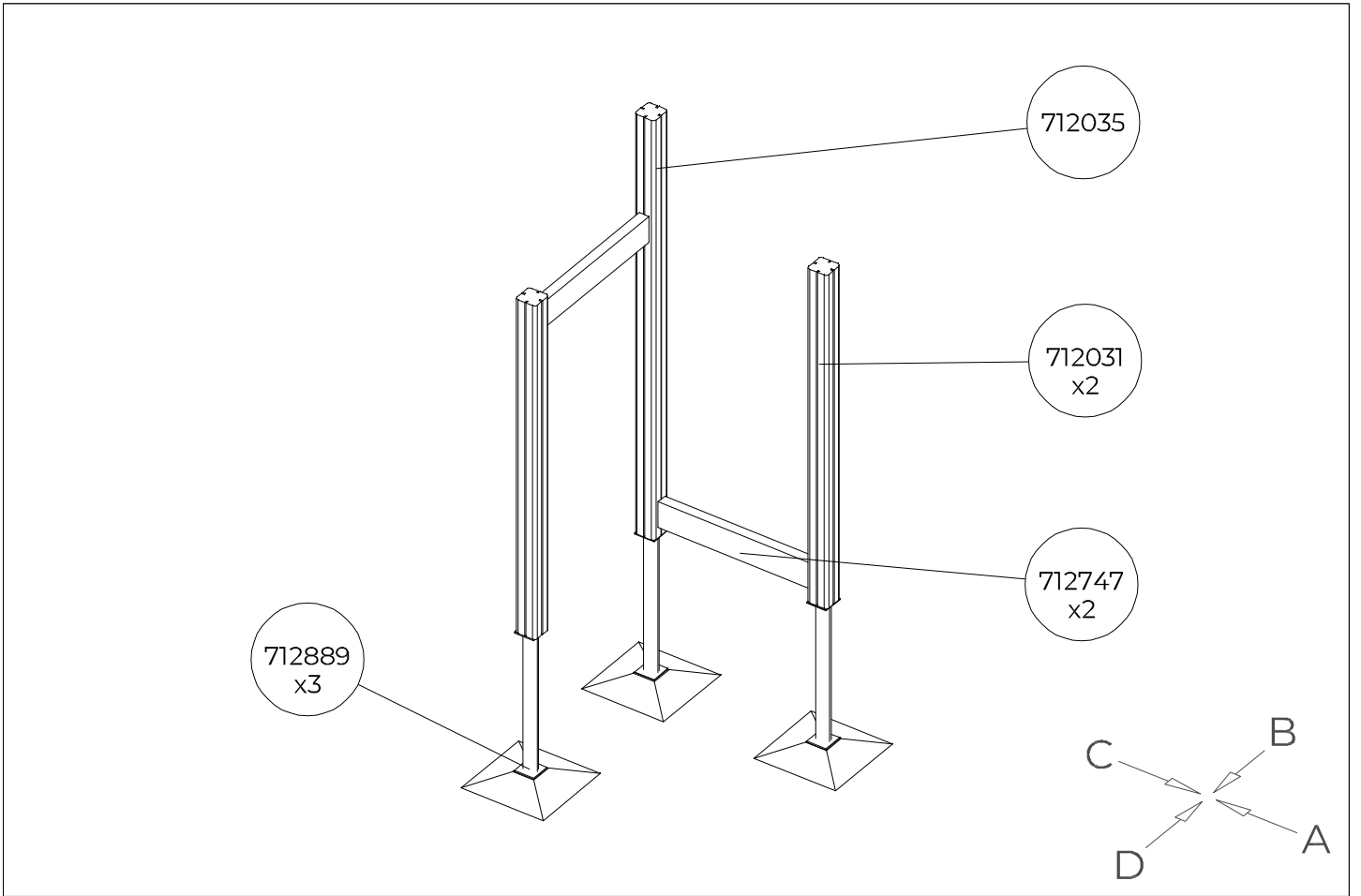


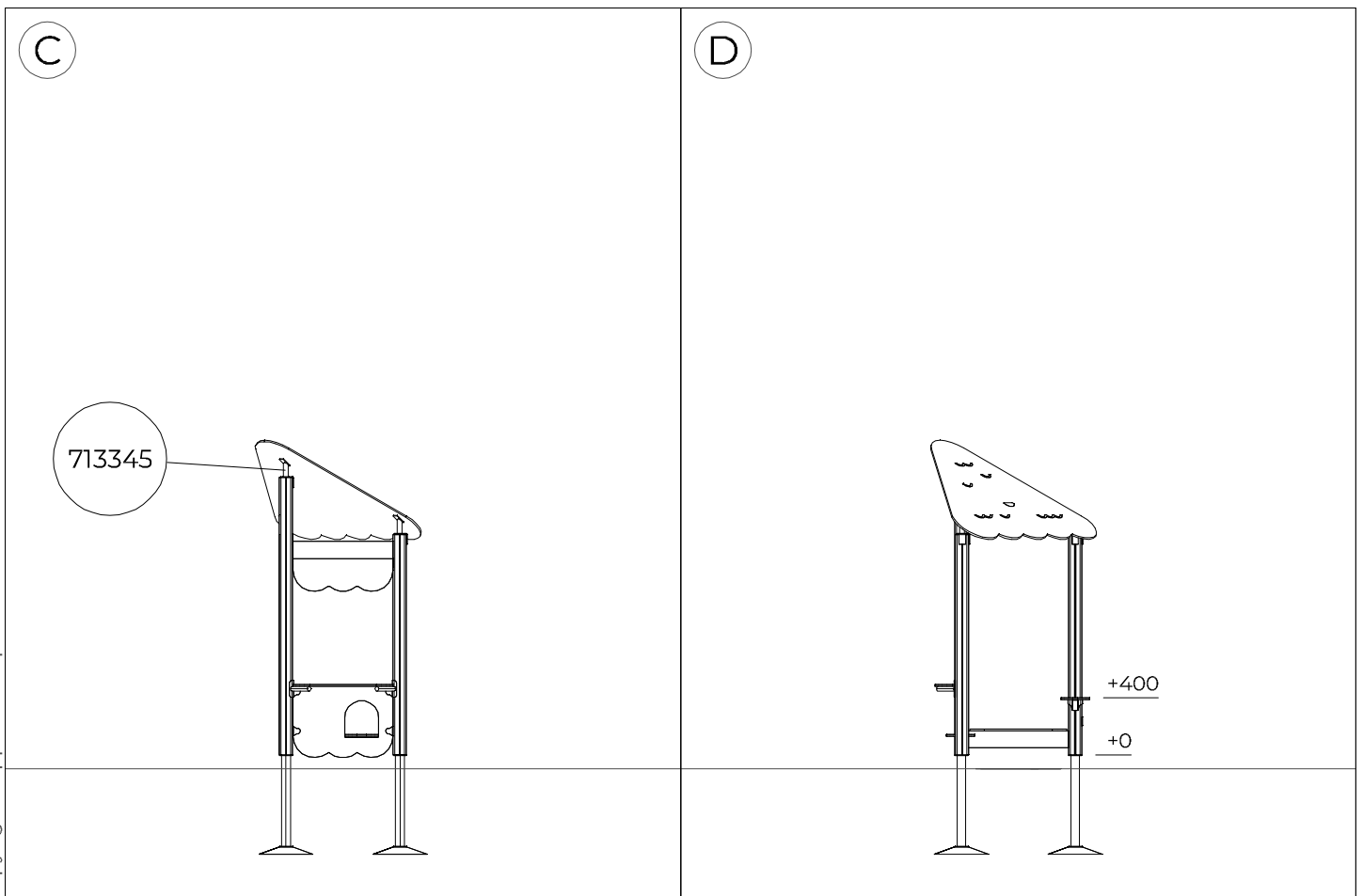
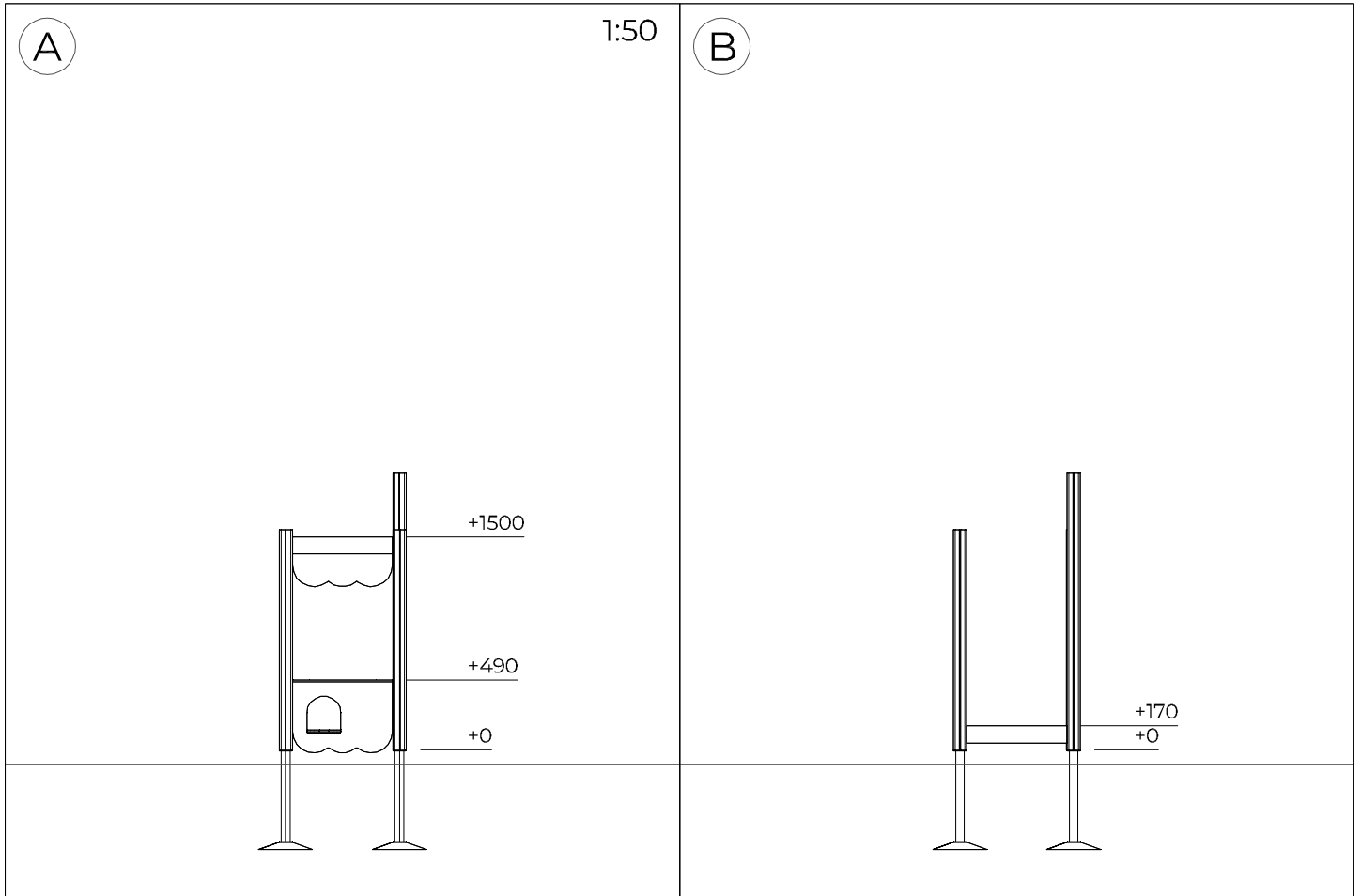
FFL = Finished Floor Level



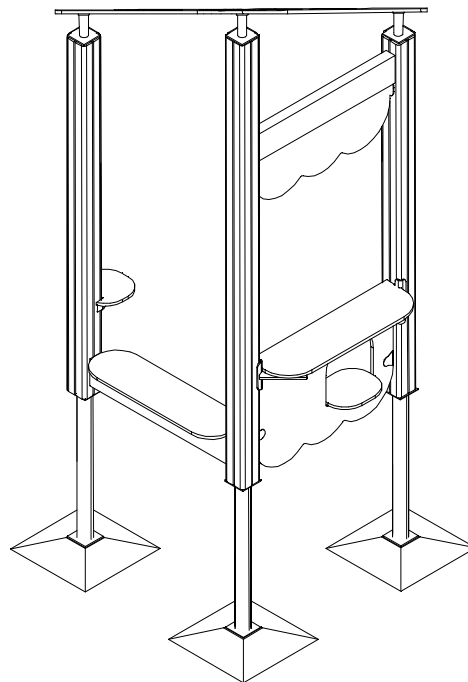
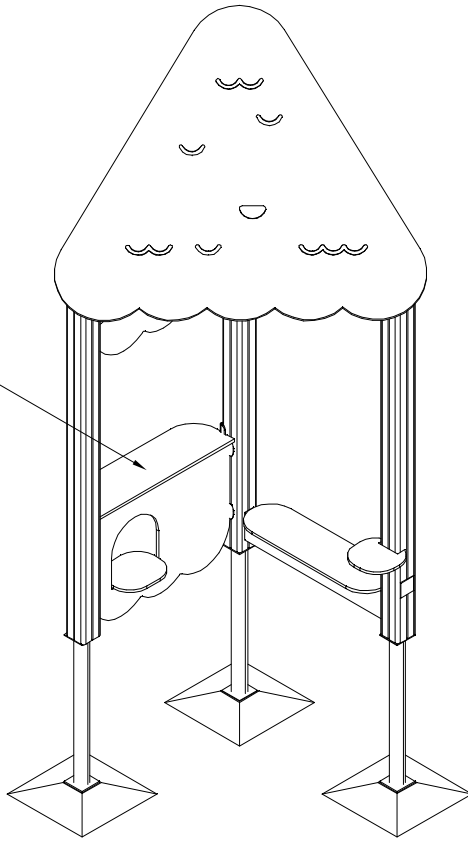
FFL = Finished Floor Level

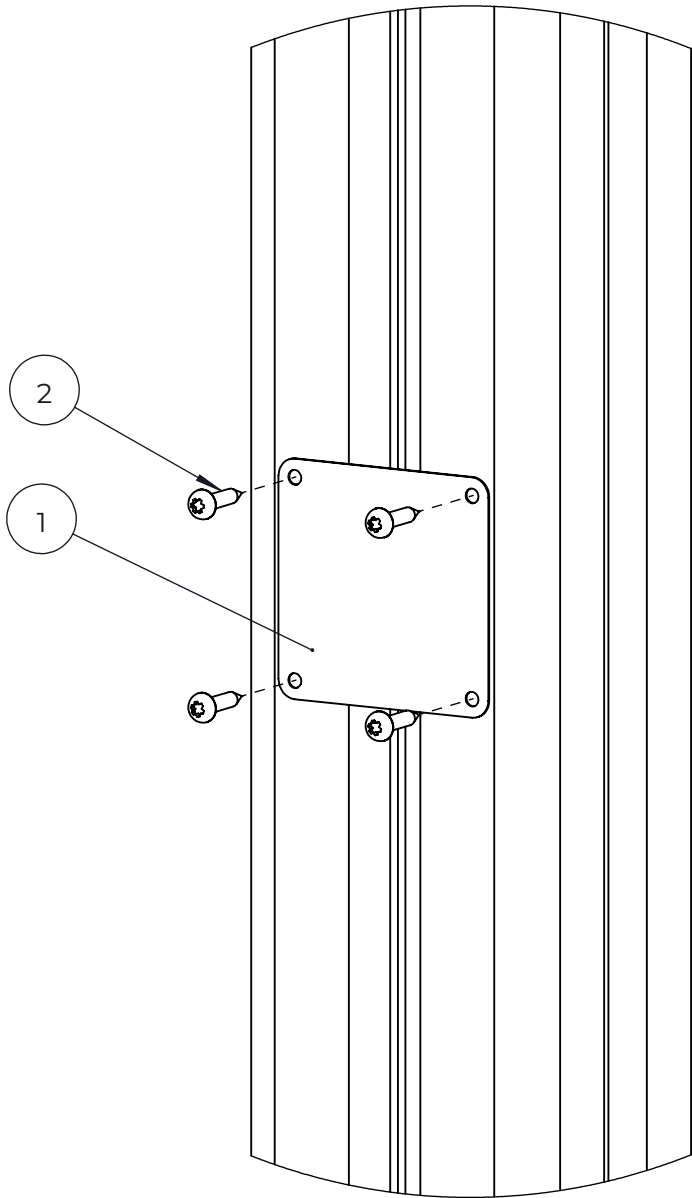




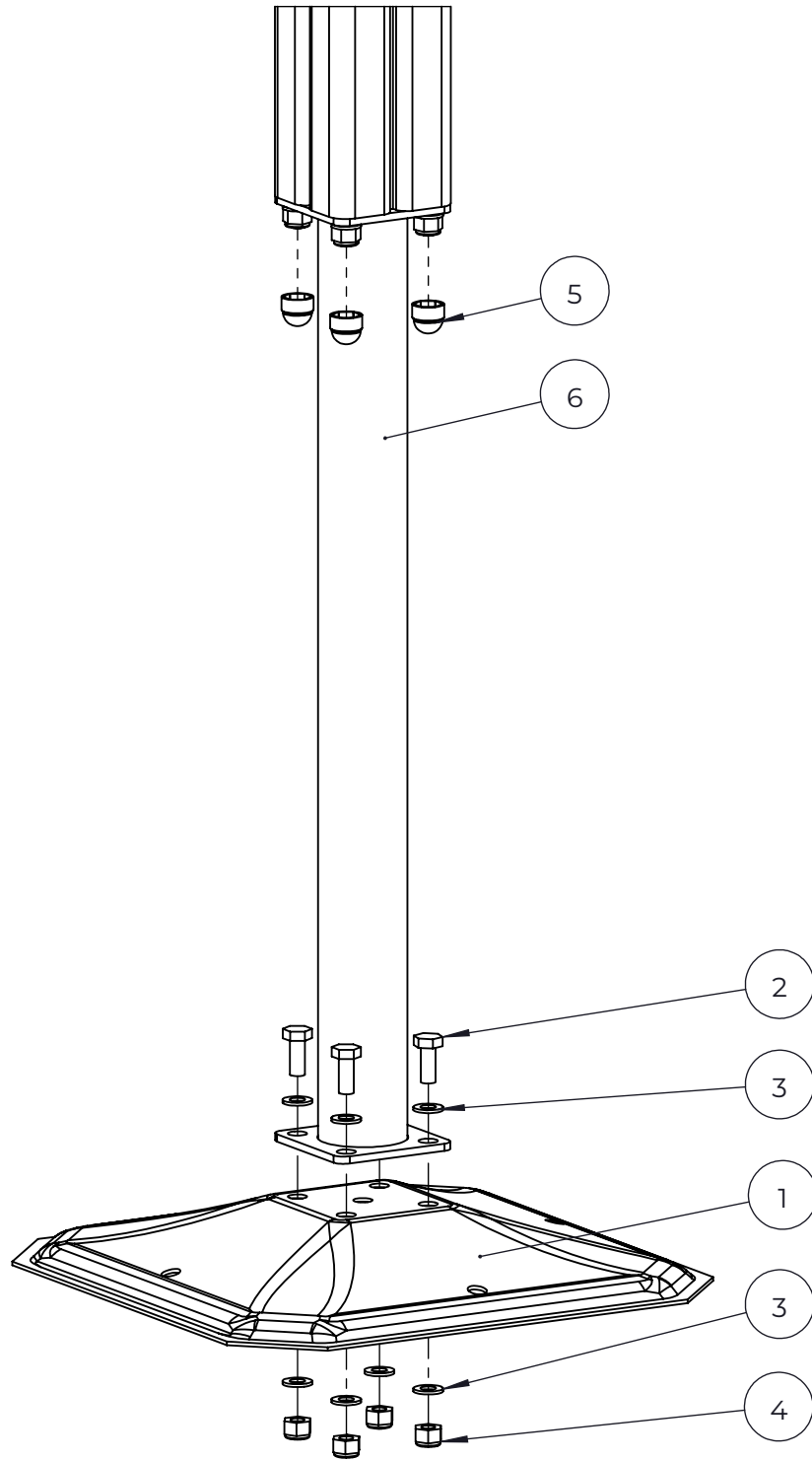


Max Falling Height

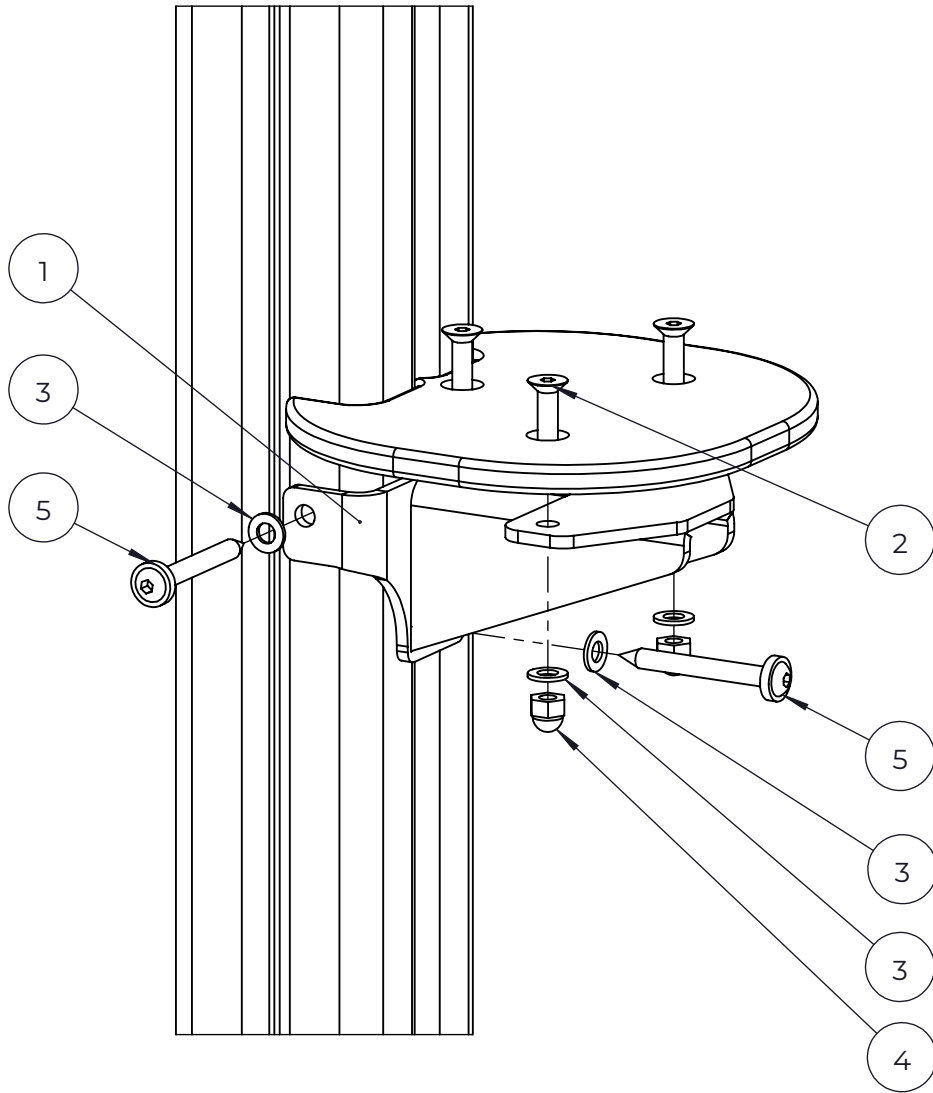




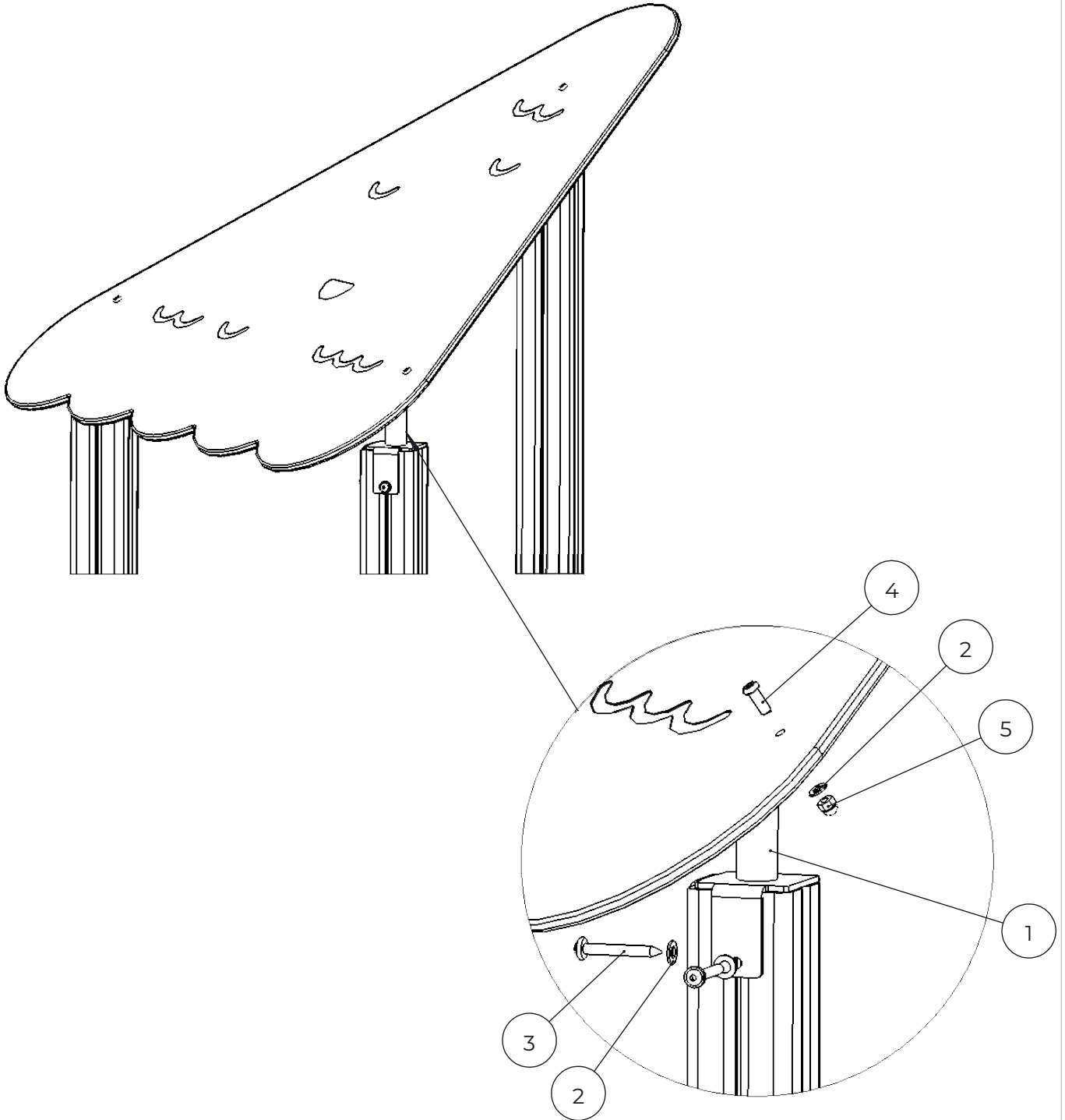
| NO. | ITEM CODE | | | QTY. |
|-----|-----------|---------------|-------|------|
| 1 | 702286 | PRINTED LABEL | 65x65 | 1 |
| 2 | 980114 | SCREW | Ø4x20 | 4 |



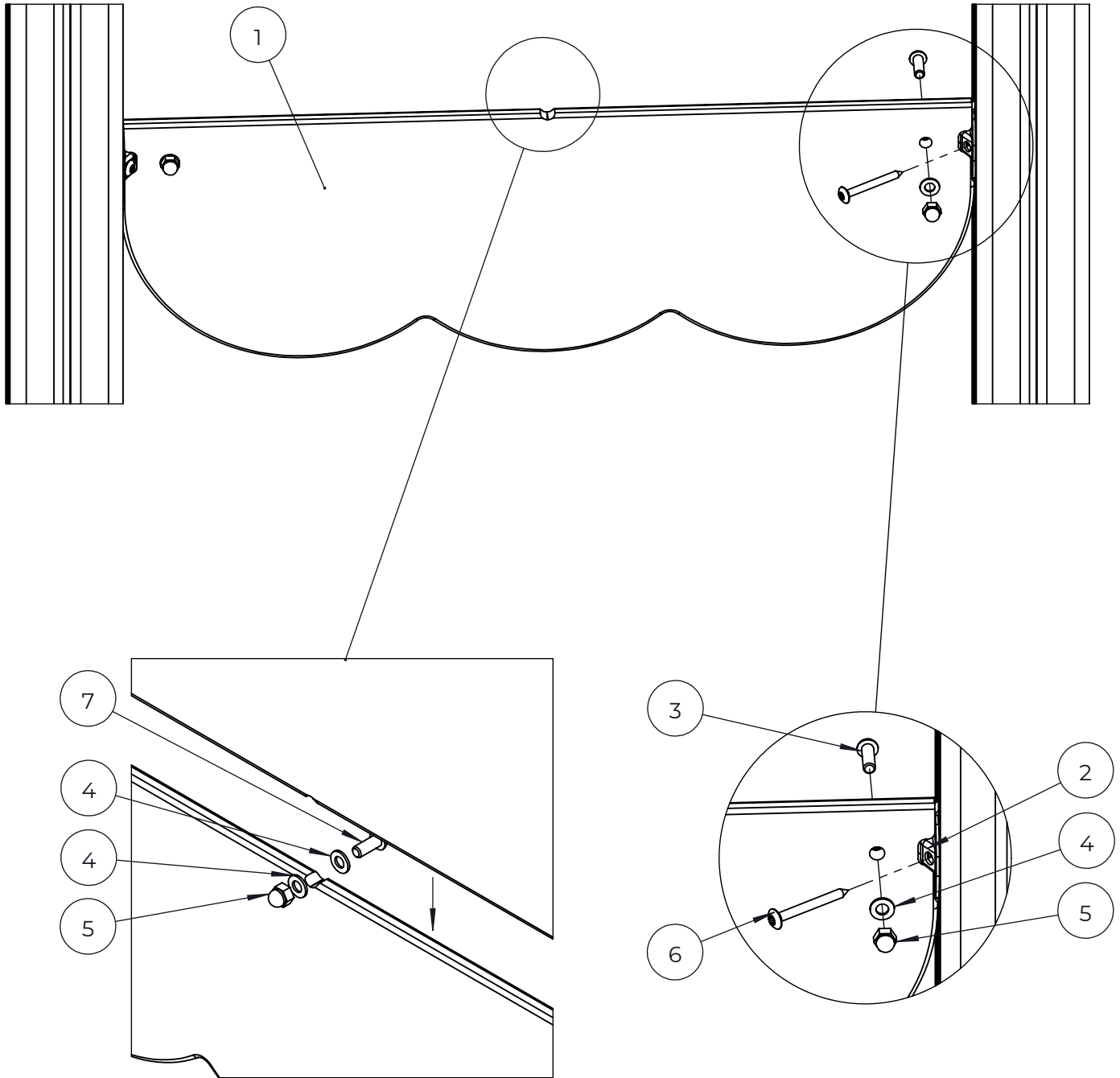
| NO. | ITEM CODE | | | QTY. |
|-----|-----------|------------------|----------------|------|
| 1 | 909519 | FOUNDATION PLATE | 380 x 380 x 45 | 1 |
| 2 | 909639 | BOLT | M10x25 | 4 |
| 3 | 909638 | WASHER | Ø20 / 10.5 | 8 |
| 4 | 909637 | NUT | M10 | 4 |
| 5 | 905104 | OUTSIDE PLUG | M10 | 4 |
| 6 | 909511 | FOUNDATION TUBE | 90x90x650 | 1 |



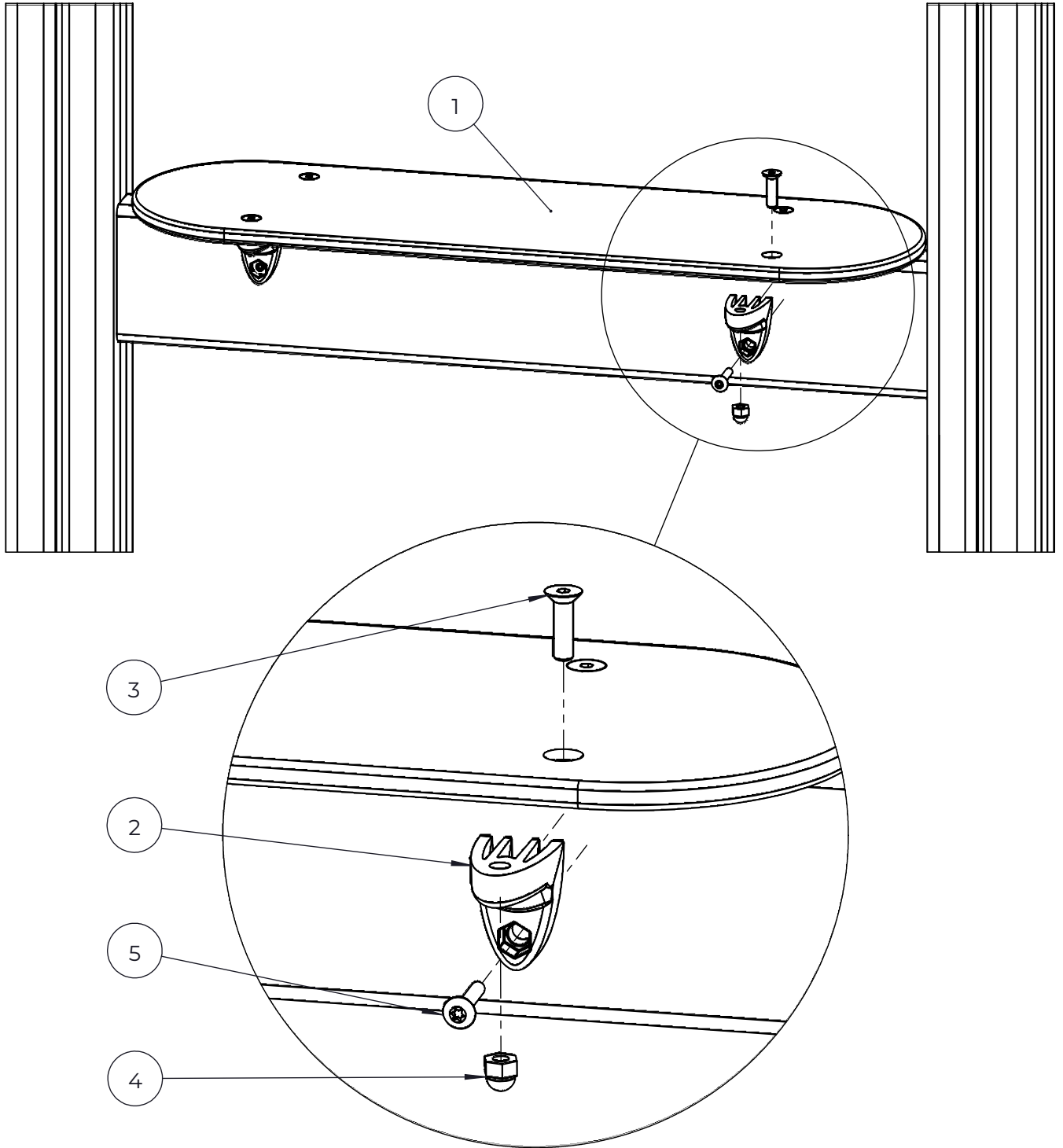
| NO. | ITEM CODE | | | QTY. |
|-----|-----------|------------------|-------------|------|
| 1 | 914408 | ATTACHMENT PIECE | 75x130x165 | 1 |
| 2 | 900348 | ALLEN SCREW | M8x30 | 3 |
| 3 | 909256 | WASHER | Ø16/8.4x1.6 | 6 |
| 4 | 909633 | NUT | M8 | 3 |
| 5 | 900240 | SPECIAL SCREW | Ø8x70 | 3 |



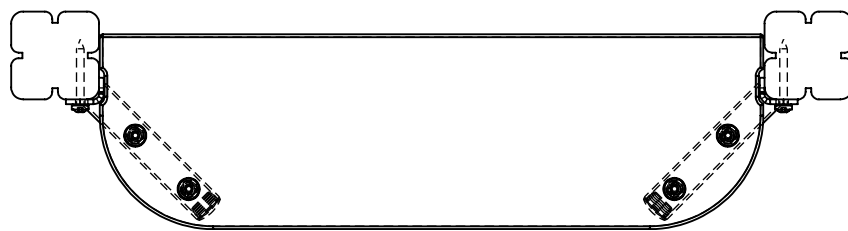
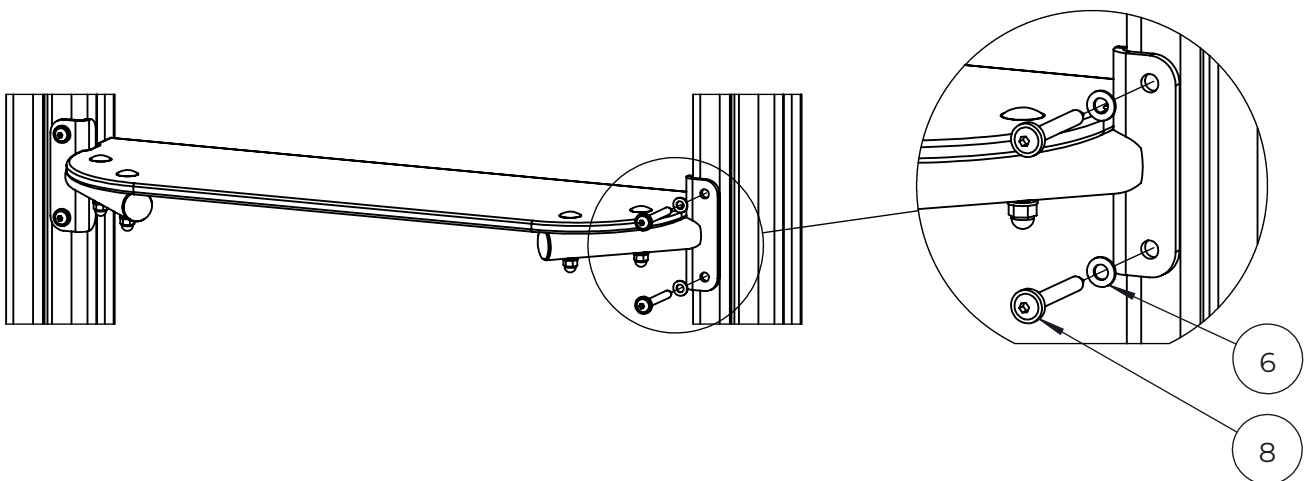
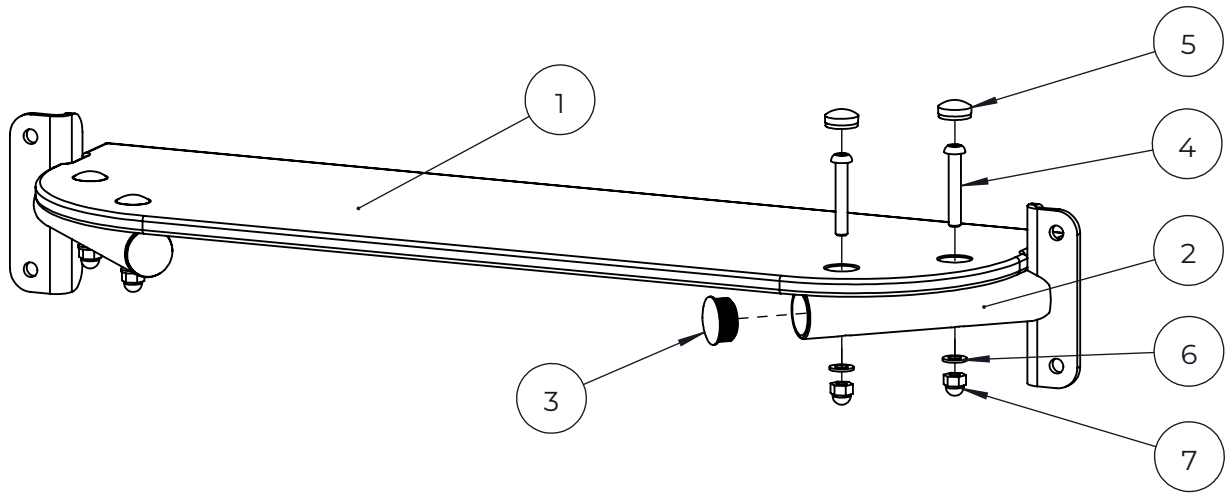
| NO. | ITEM CODE | | | QTY. |
|-----|-----------|------------------|-------------|------|
| 1 | 915527 | ATTACHMENT PIECE | 95x95x204 | 3 |
| 2 | 909256 | WASHER | Ø16/8.4x1.6 | 9 |
| 3 | 900240 | SPECIAL SCREW | Ø8x70 | 6 |
| 4 | 909850 | ALLEN SCREW | M8x25 | 3 |
| 5 | 909633 | NUT | M8 | 3 |



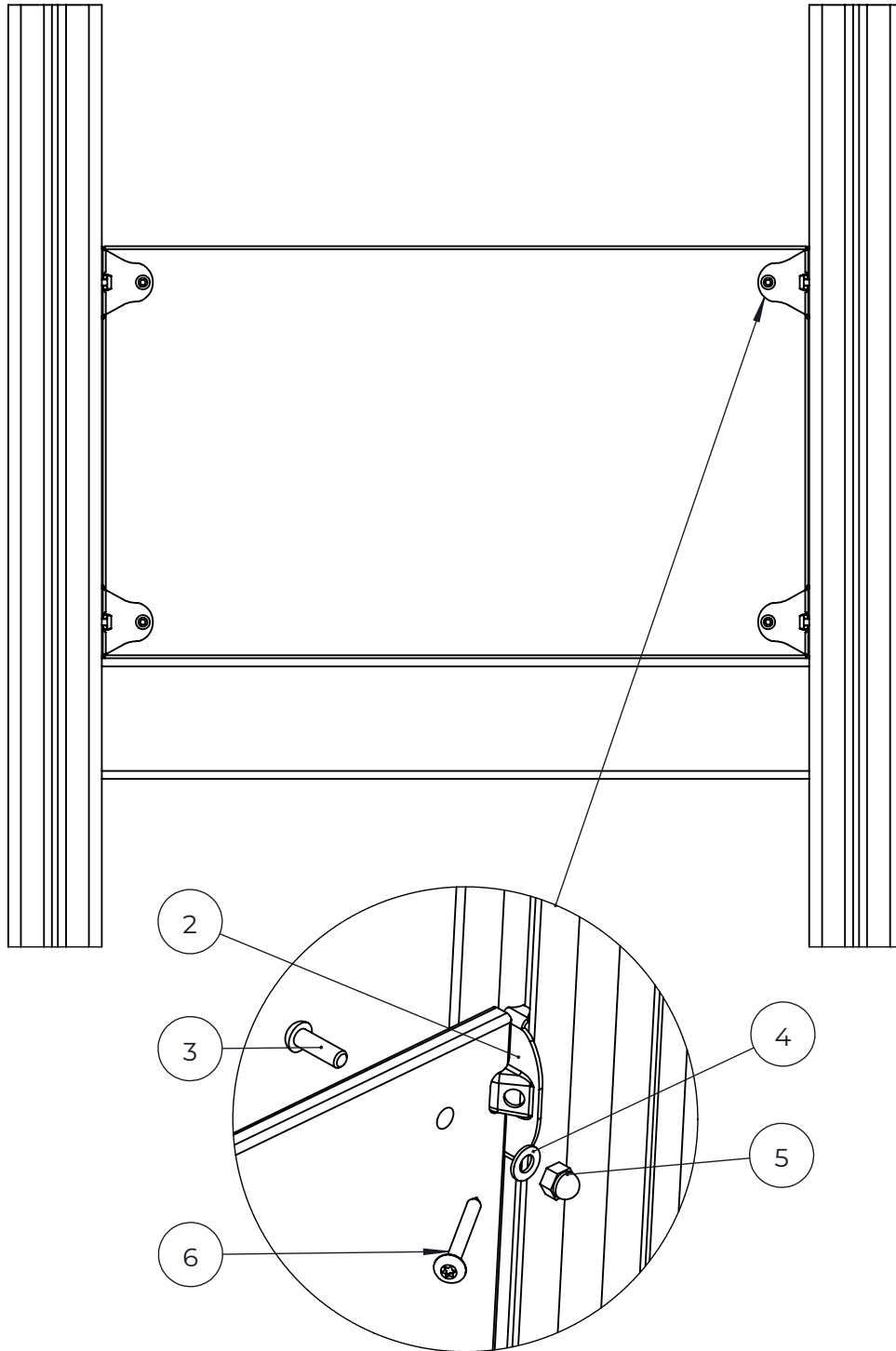
| NO. | ITEM CODE | | | QTY. |
|-----|-----------|---------------|-------------|------|
| 1 | 711676 | PLATE | 12x230x702 | 1 |
| 2 | 903176 | CLAMP | | 2 |
| 3 | 909850 | ALLEN SCREW | M8x25 | 2 |
| 4 | 909256 | WASHER | Ø16/8.4x1.6 | 4 |
| 5 | 909633 | NUT | M8 | 3 |
| 6 | 980123 | SPECIAL SCREW | Ø7x60 | 2 |
| 7 | 905827 | ALLEN SCREW | M8x20 | 1 |



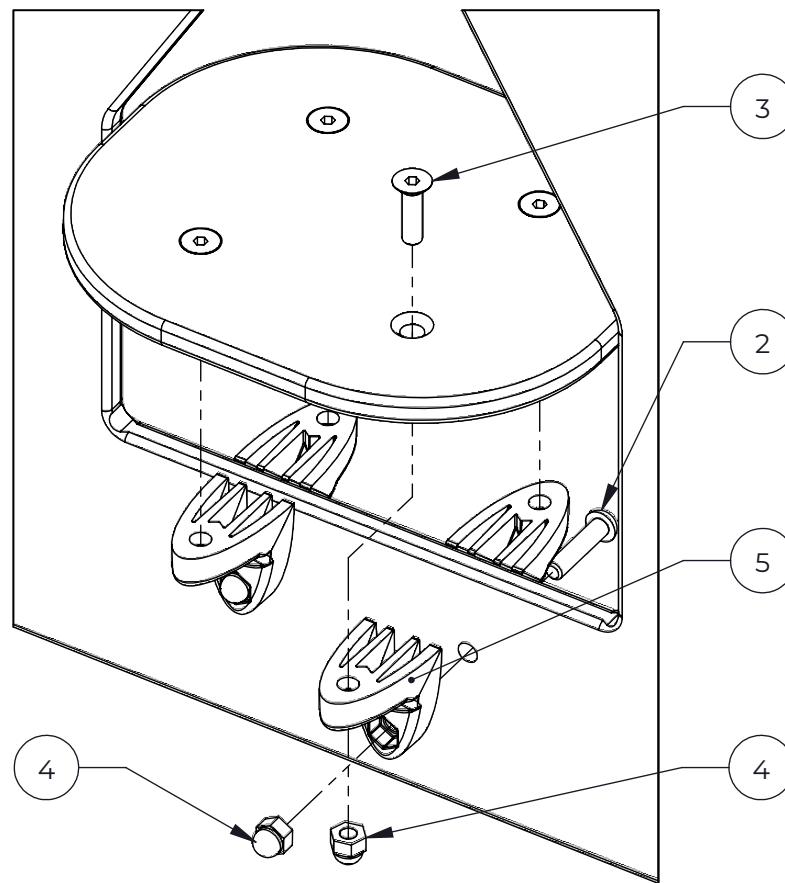
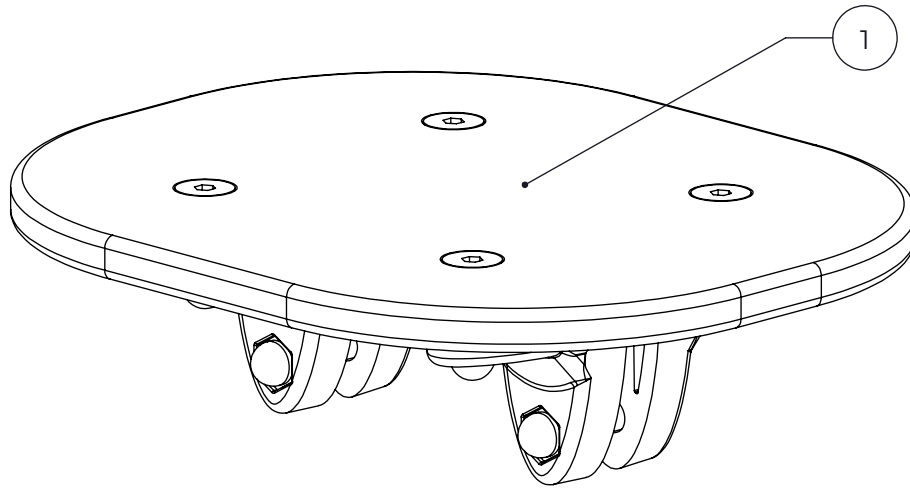
| NO. | ITEM CODE | | | QTY. |
|-----|-----------|---------------|------------|------|
| 1 | 711701 | STEP | 12x200x680 | 1 |
| 2 | 901570 | CLAMP | 36x55x55 | 4 |
| 3 | 900348 | ALLEN SCREW | M8x30 | 4 |
| 4 | 909633 | NUT | M8 | 4 |
| 5 | 980128 | SPECIAL SCREW | Ø7x40 | 4 |



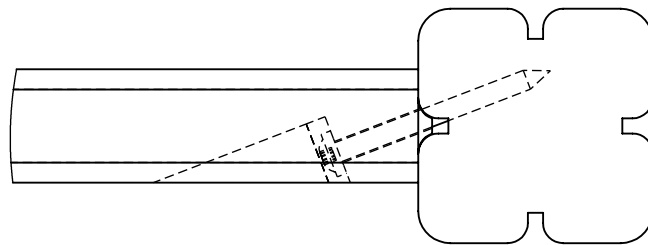
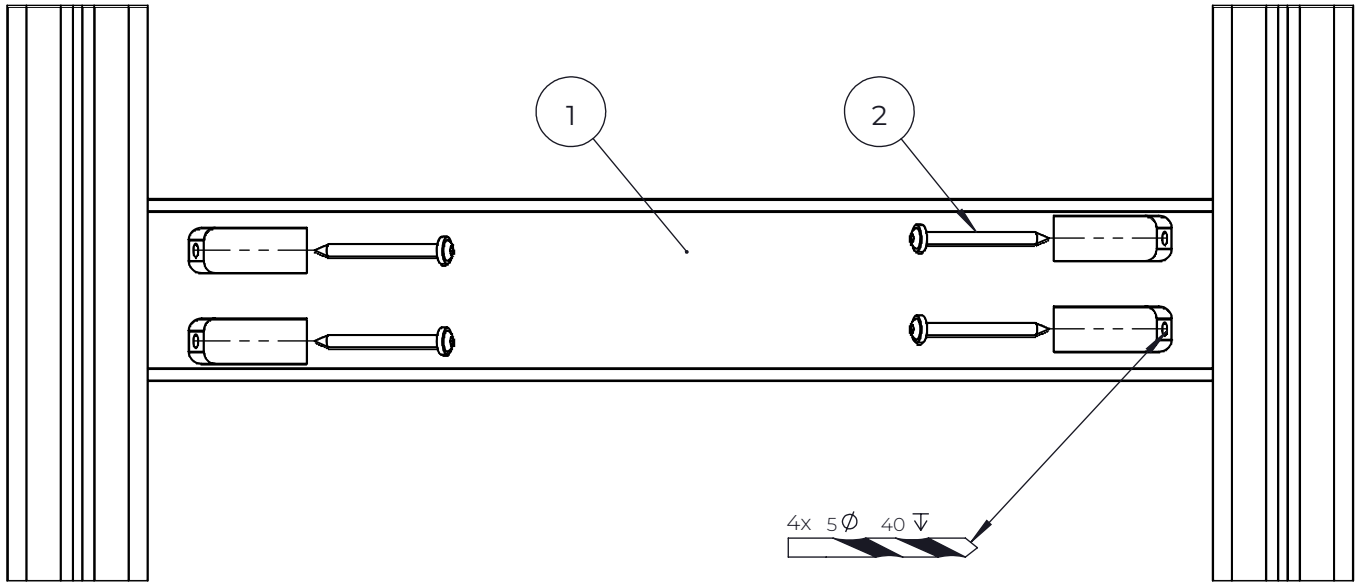
| NO. | ITEM CODE | | | QTY. |
|-----|-----------|---------------|-------------|------|
| 1 | 712325 | TABLE | 12x206x702 | 1 |
| 2 | 914513 | SUPPORT | 120x48x189 | 2 |
| 3 | 905103 | INSIDE PLUG | PT-28/32-H | 2 |
| 4 | 900498 | ALLEN SCREW | M8x50 | 4 |
| 5 | 905112 | PLASTIC CAP | Ø22 | 4 |
| 6 | 909256 | WASHER | Ø16/8.4x1.6 | 8 |
| 7 | 909633 | NUT | M8 | 4 |
| 8 | 900240 | SPECIAL SCREW | Ø8x70 | 4 |



| NO. | ITEM CODE | | | QTY. |
|-----|-----------|---------------|-------------|------|
| 2 | 903176 | CLAMP | | 4 |
| 3 | 909850 | ALLEN SCREW | M8x25 | 4 |
| 4 | 909256 | WASHER | Ø16/8.4x1.6 | 4 |
| 5 | 909633 | NUT | M8 | 4 |
| 6 | 980123 | SPECIAL SCREW | Ø7x60 | 4 |



| NO. | ITEM CODE | | | QTY. |
|-----|-----------|-------------|------------|------|
| 1 | 712307 | PLATE | 12x200x238 | 1 |
| 2 | 909855 | ALLEN SCREW | M8x35 | 2 |
| 3 | 900348 | ALLEN SCREW | M8x30 | 4 |
| 4 | 909633 | NUT | M8 | 6 |
| 5 | 901570 | CLAMP | 36x55x55 | 4 |



| NO. | ITEM CODE | | | QTY. |
|-----|-----------|---------------|------------|------|
| 1 | 712079 | BOOM | 45x120x715 | 1 |
| 2 | 903093 | SPECIAL SCREW | Ø8x90 | 4 |