

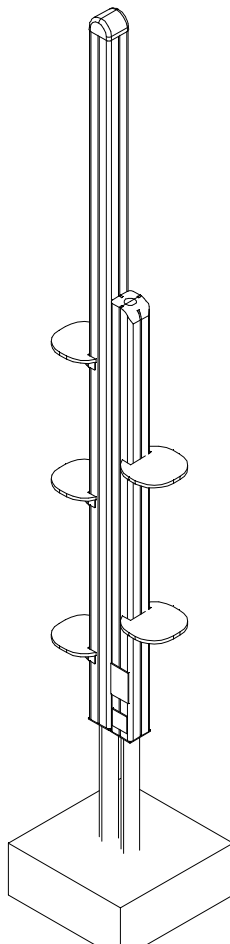


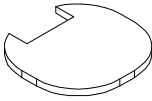

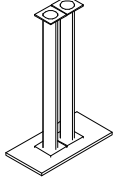
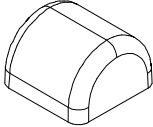
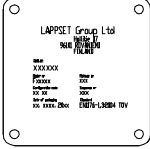
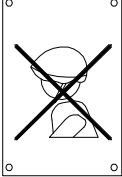





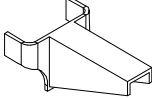


PRIME

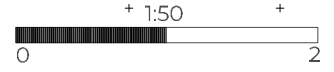
ASENNUSOHJE  
MONTERINGSANSVISNING  
INSTALLATION INSTRUCTION  
AUFBAUANLEITUNG  
NOTICE D'INSTALLATION

DATE: 3.12.2025

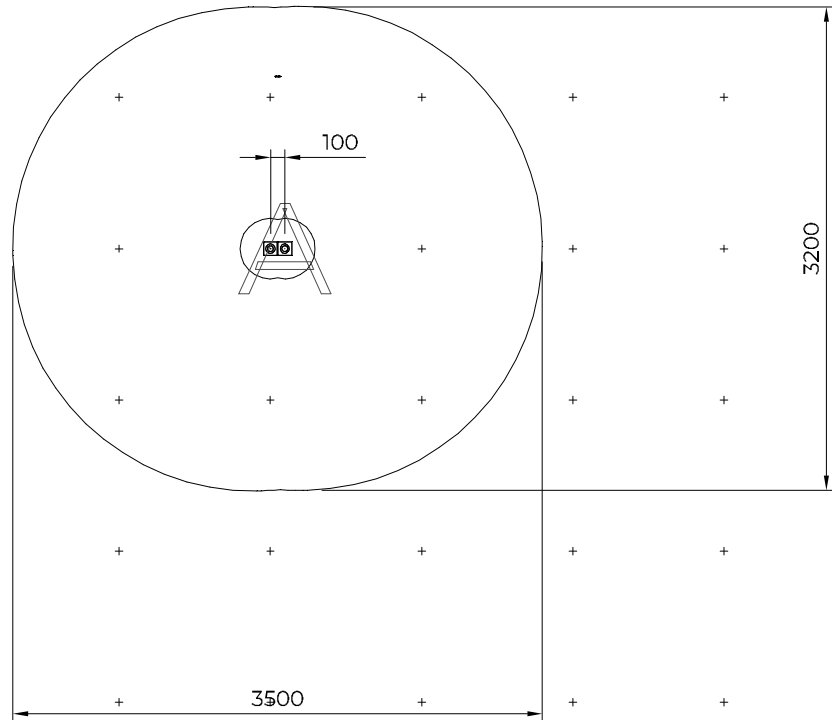
F24807M



712007	PCS 5	712042-001	PCS 1	712547	PCS 1	712788	PCS 1	712797	PCS 1	712798	PCS 1
											
		L 2650		L 700 							
712910	PCS 5	713035-001	PCS 1		PCS		PCS		PCS		PCS
											
		L 1650									
	PCS		PCS		PCS		PCS		PCS		PCS
	PCS		PCS		PCS		PCS		PCS		PCS
	PCS		PCS		PCS		PCS		PCS		PCS
	PCS		PCS		PCS		PCS		PCS		PCS

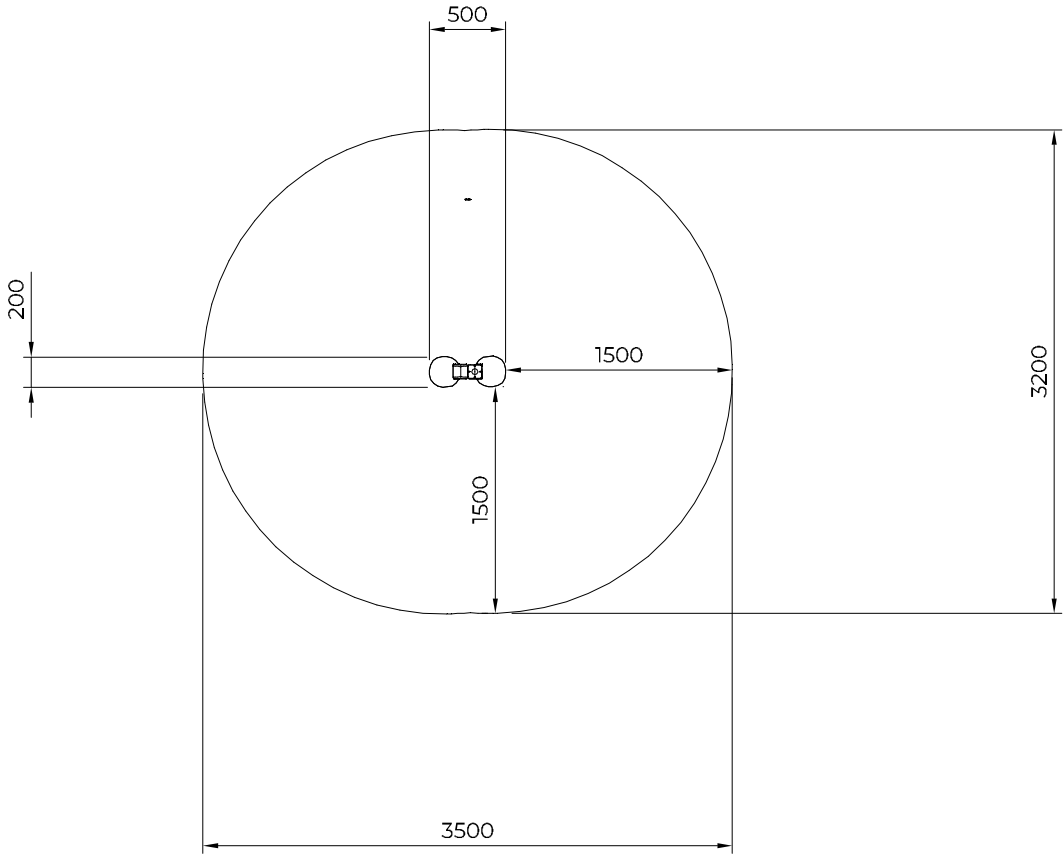
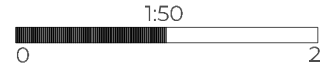


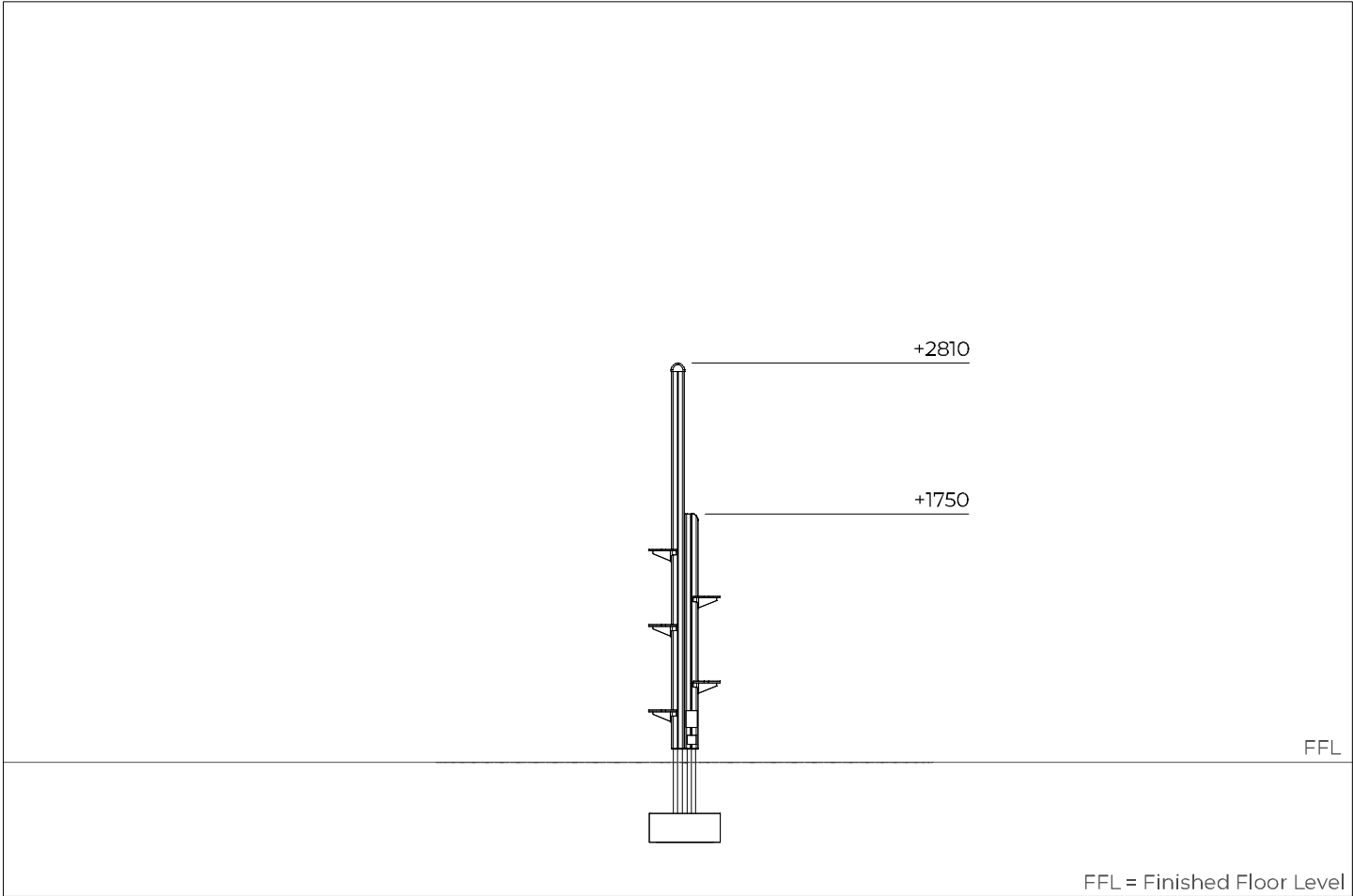
Grid size = 1000 mm



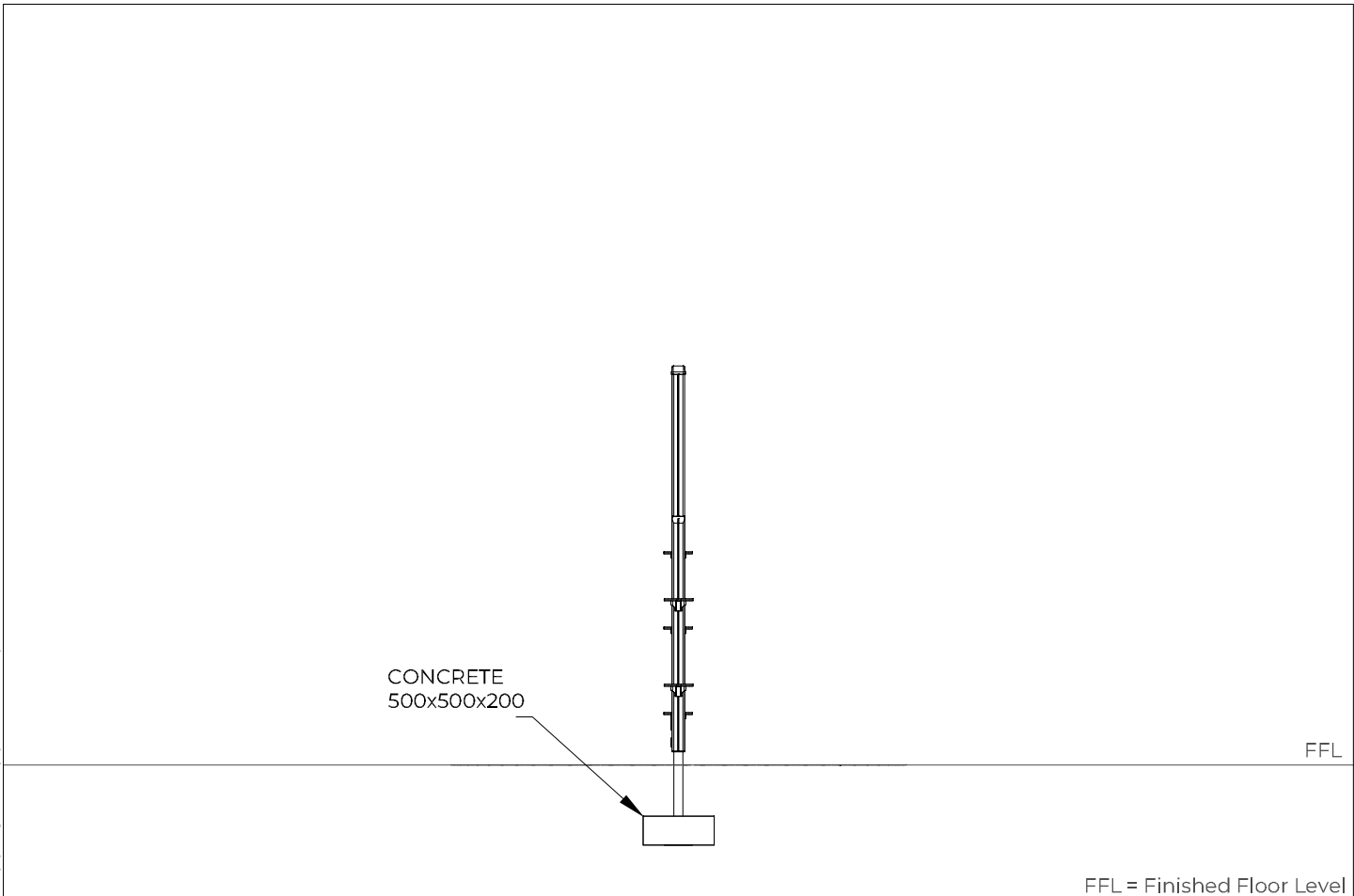
—— EN/AS Impact Area 9 m<sup>2</sup>

- - - - Falling Space 9 m<sup>2</sup>

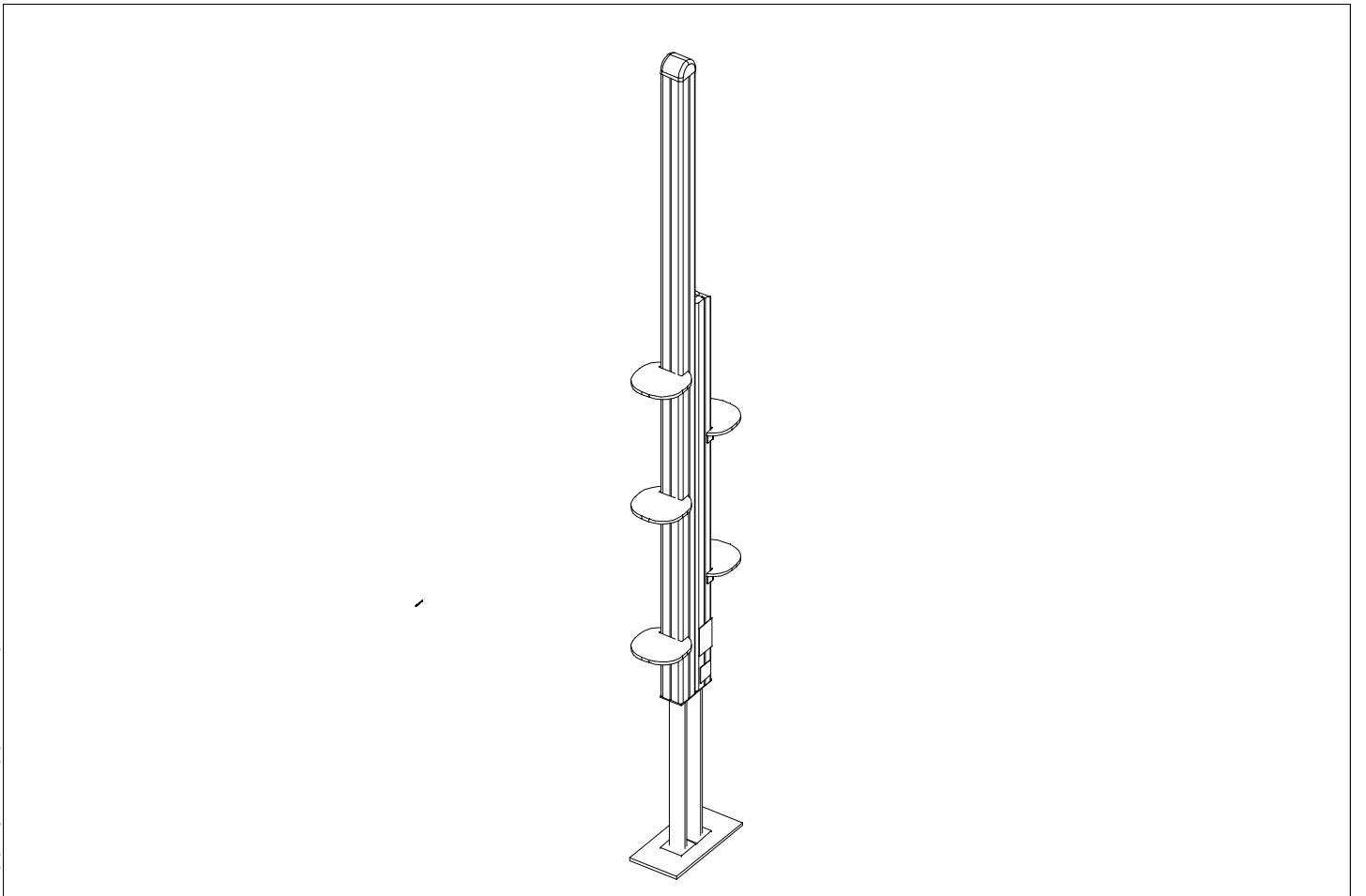
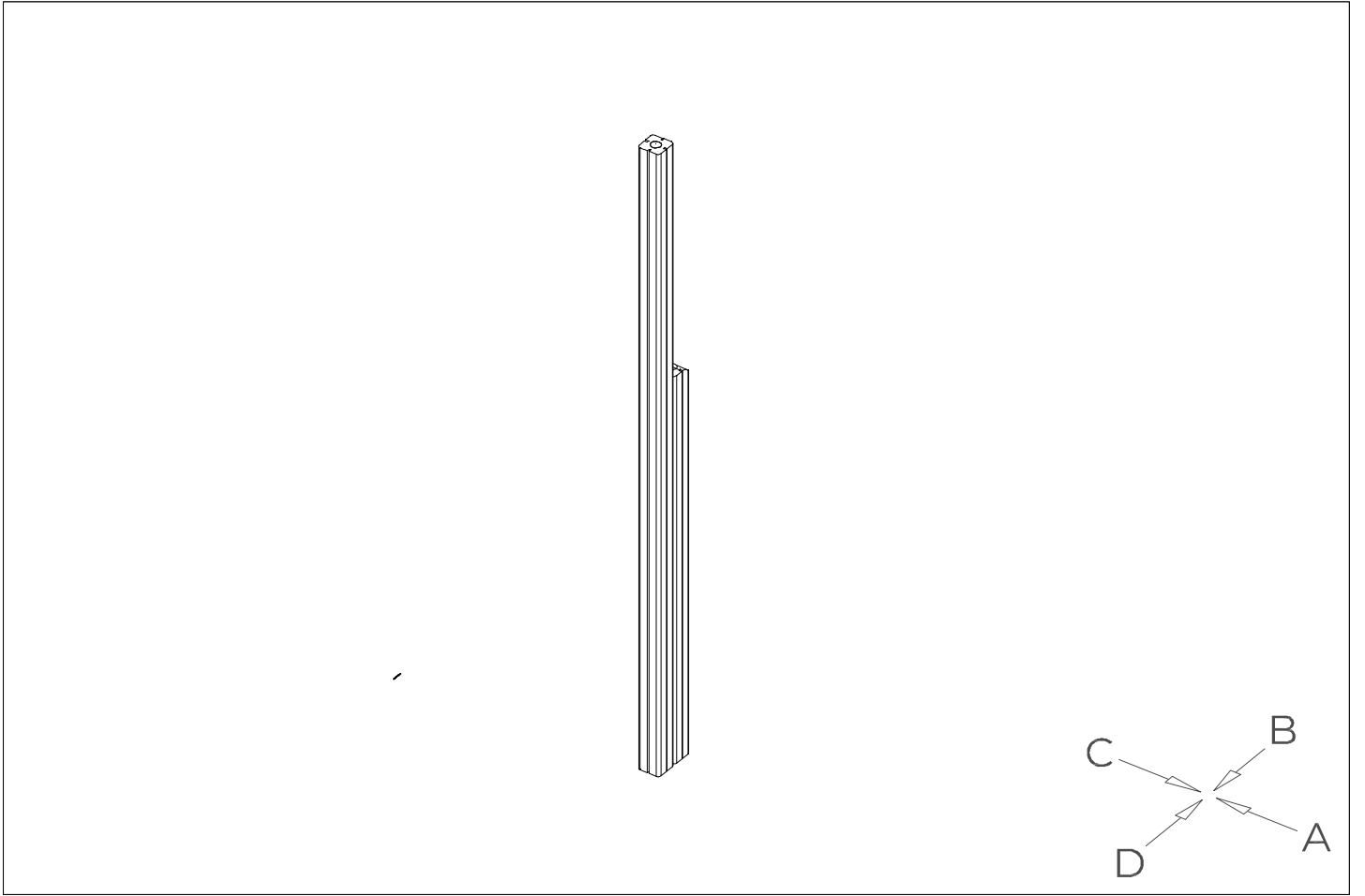




FFL = Finished Floor Level



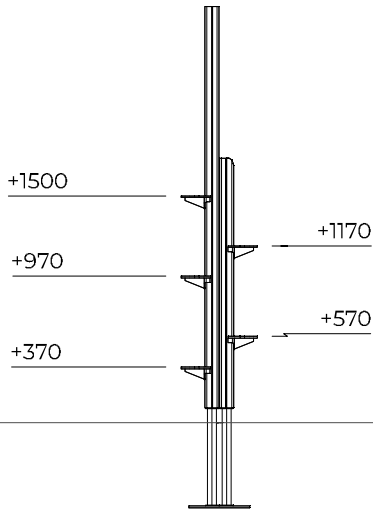
FFL = Finished Floor Level



A

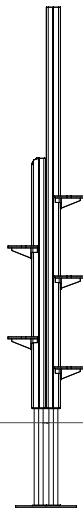
1:50

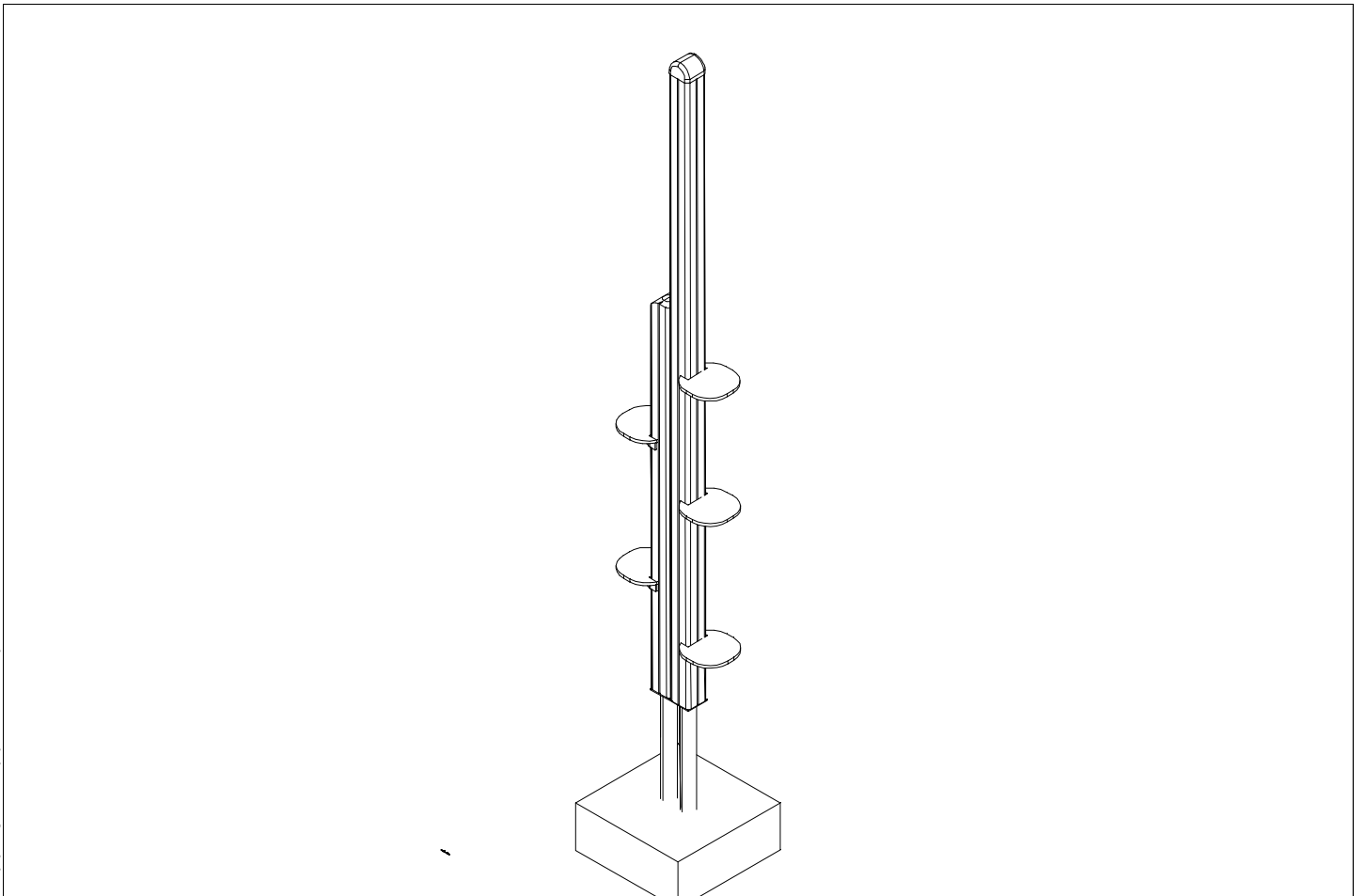
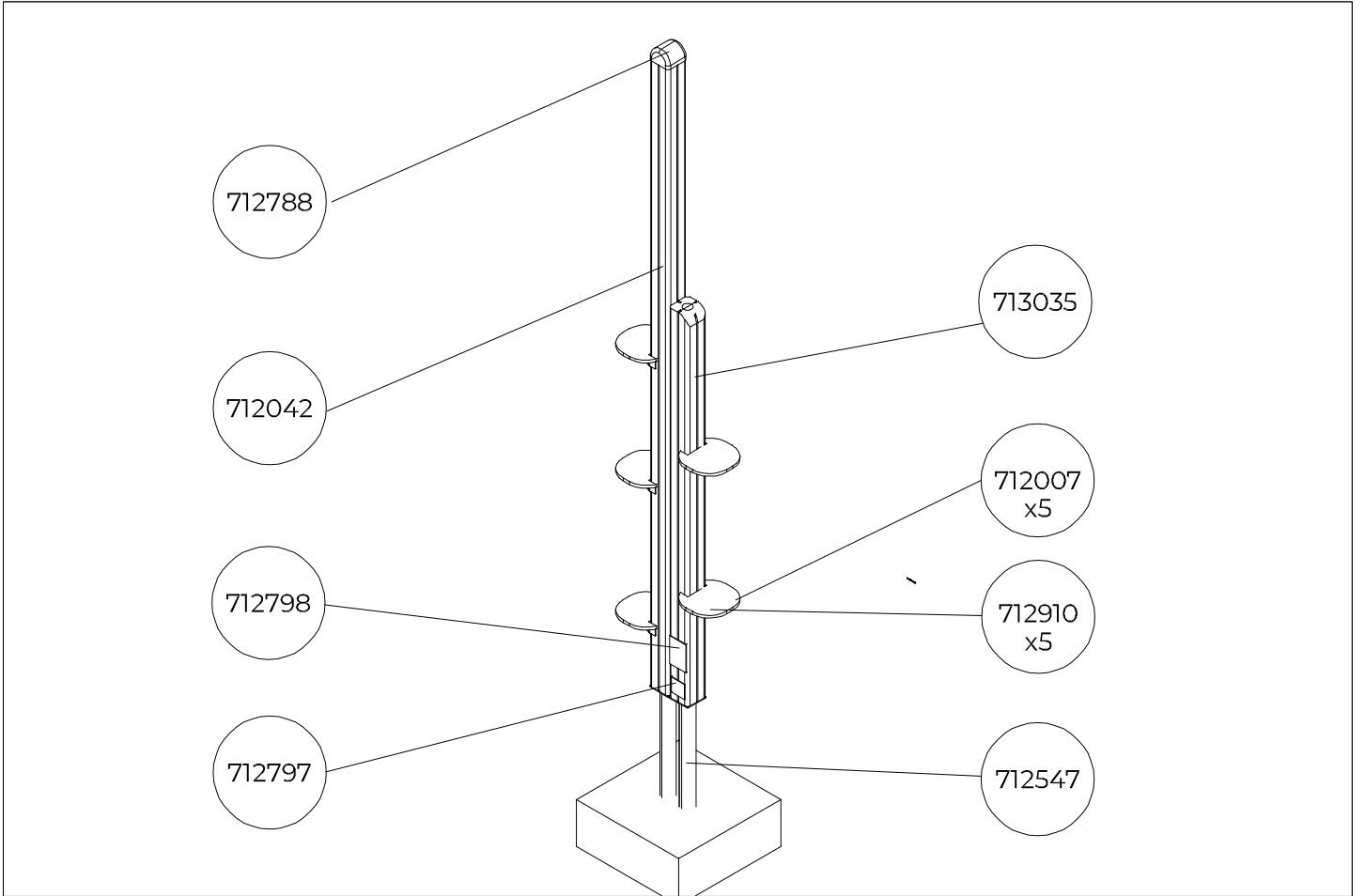
B

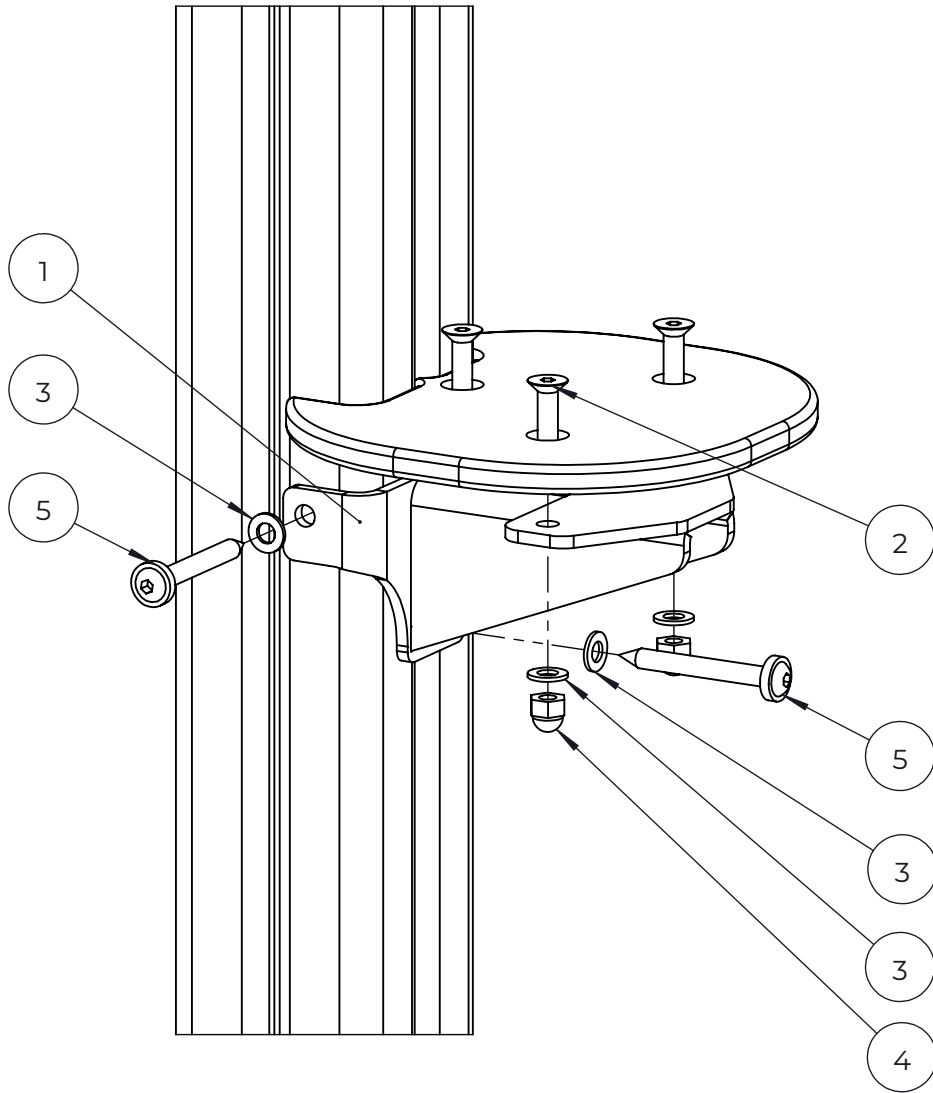


C

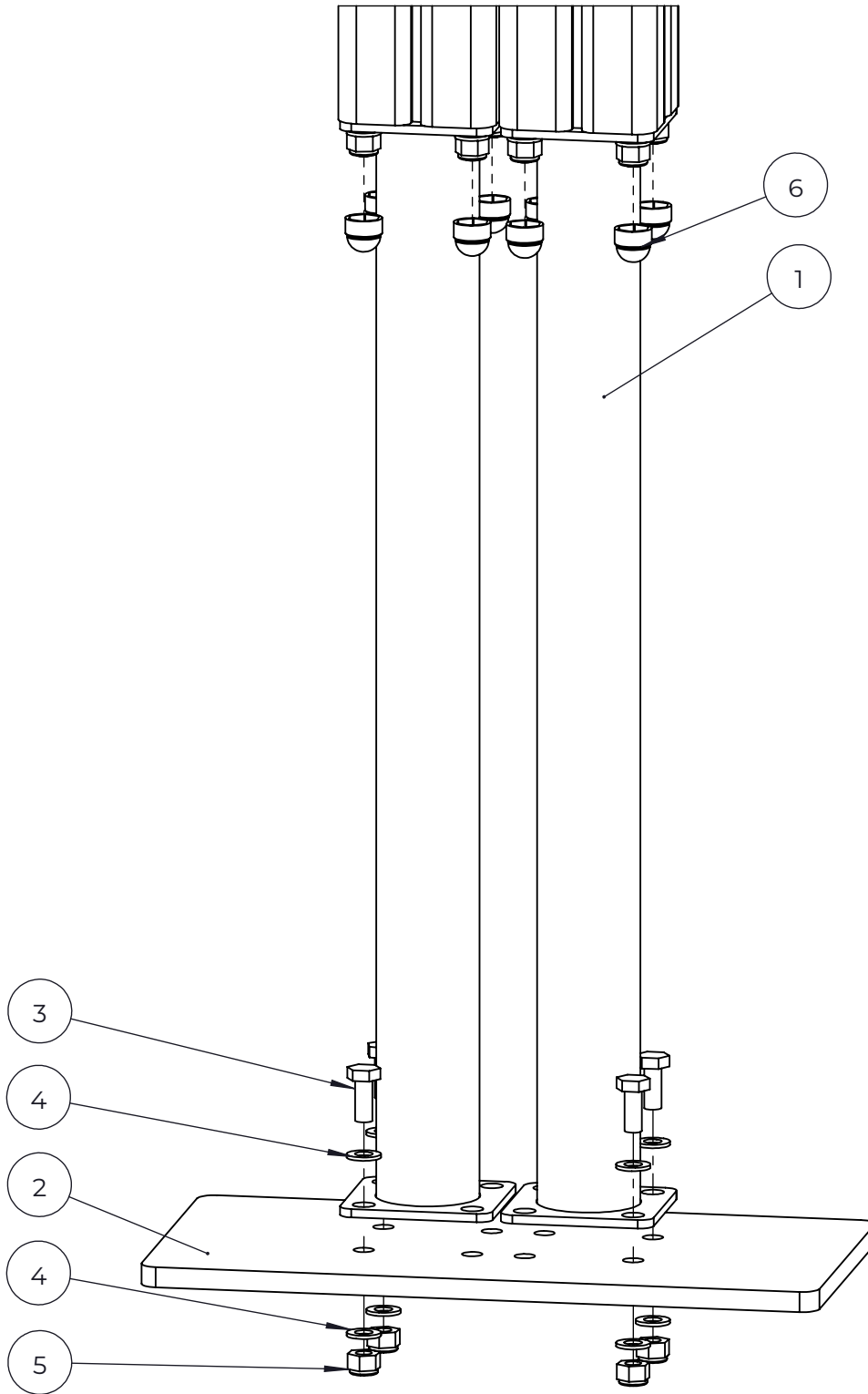
D



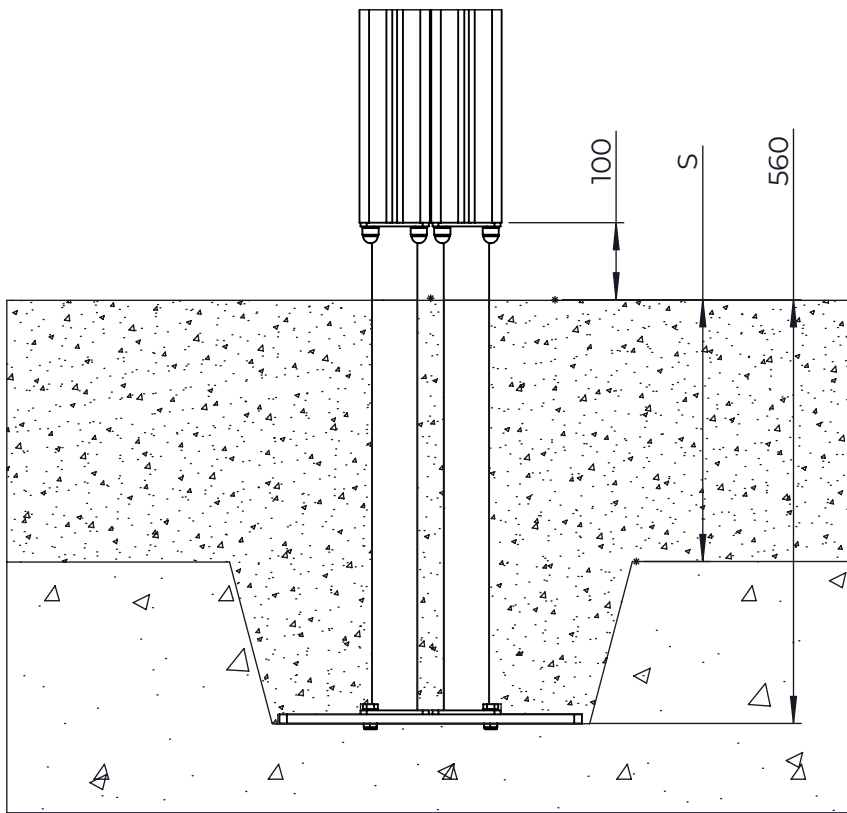


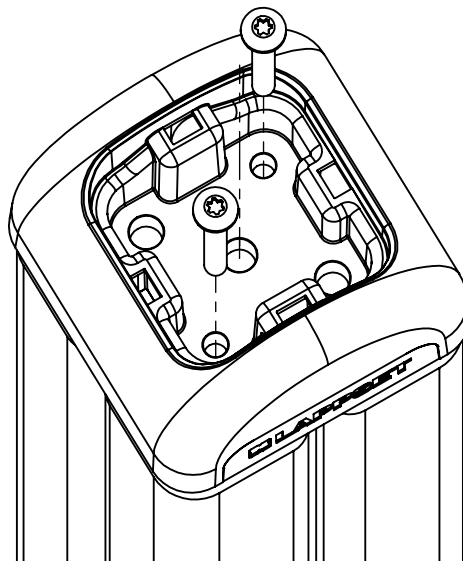
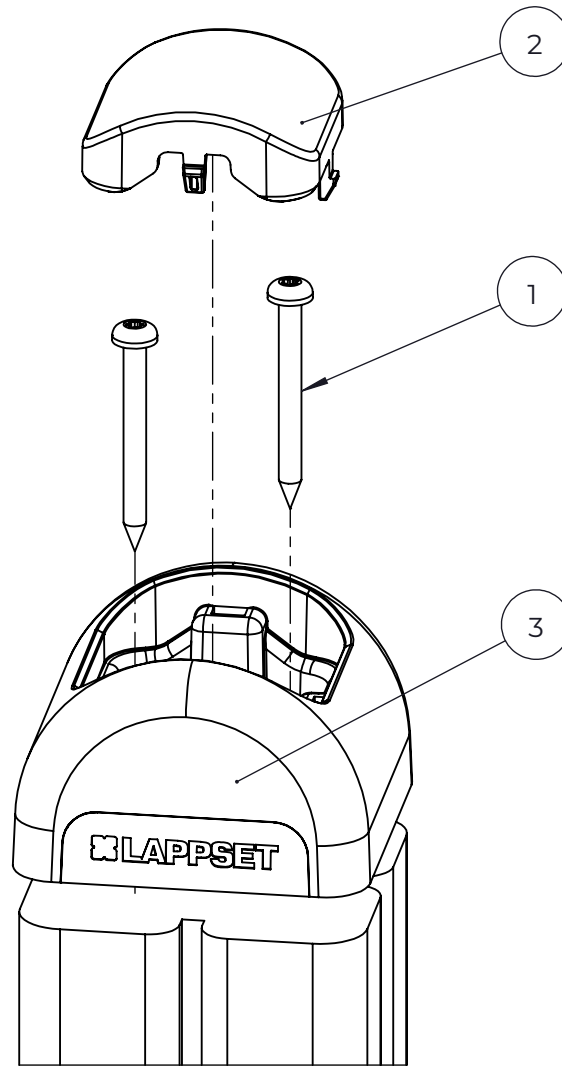


NO.	ITEM CODE			QTY.
1	914408	ATTACHMENT PIECE	75x130x165	1
2	900348	ALLEN SCREW	M8x30	3
3	909256	WASHER	Ø16/8.4x1.6	6
4	909633	NUT	M8	3
5	900240	SPECIAL SCREW	Ø8x70	3

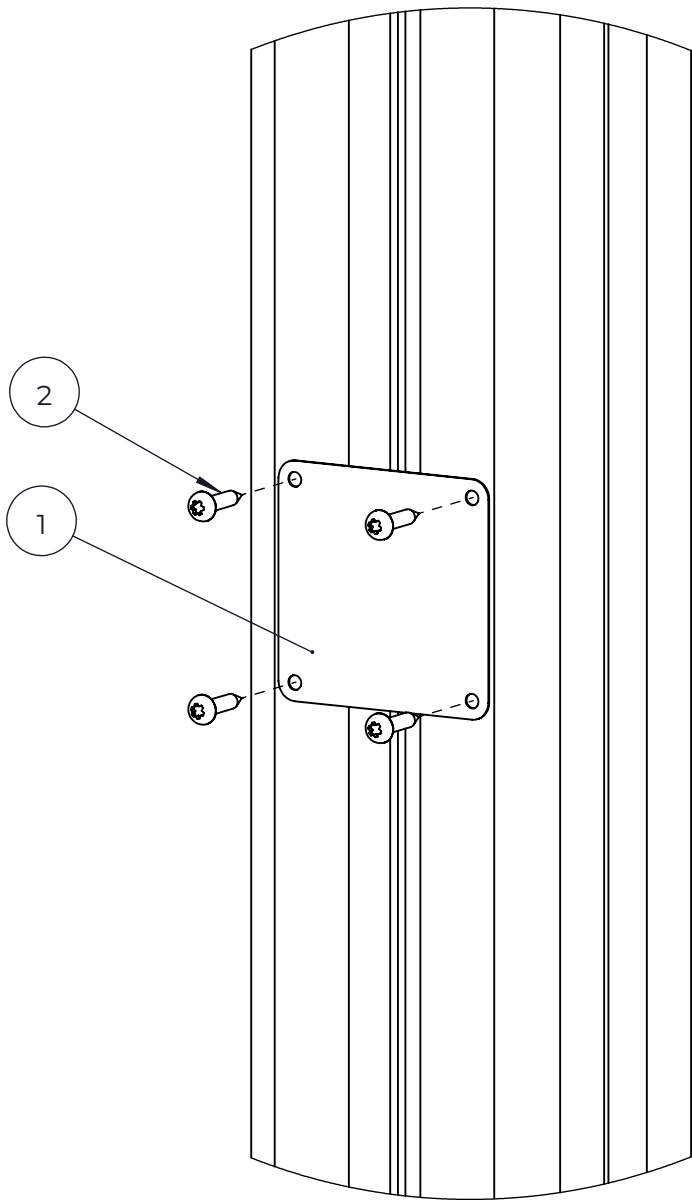


NO.	ITEM CODE			QTY.
1	909511	FOUNDATION TUBE	90x90x650	2
2	712508	FOUNDATION PLATE	12x200x400	1
3	909639	BOLT	M10x25	4
4	909638	WASHER	Ø20 / 10.5	8
5	909637	NUT	M10	4
6	905104	OUTSIDE PLUG	M10	8

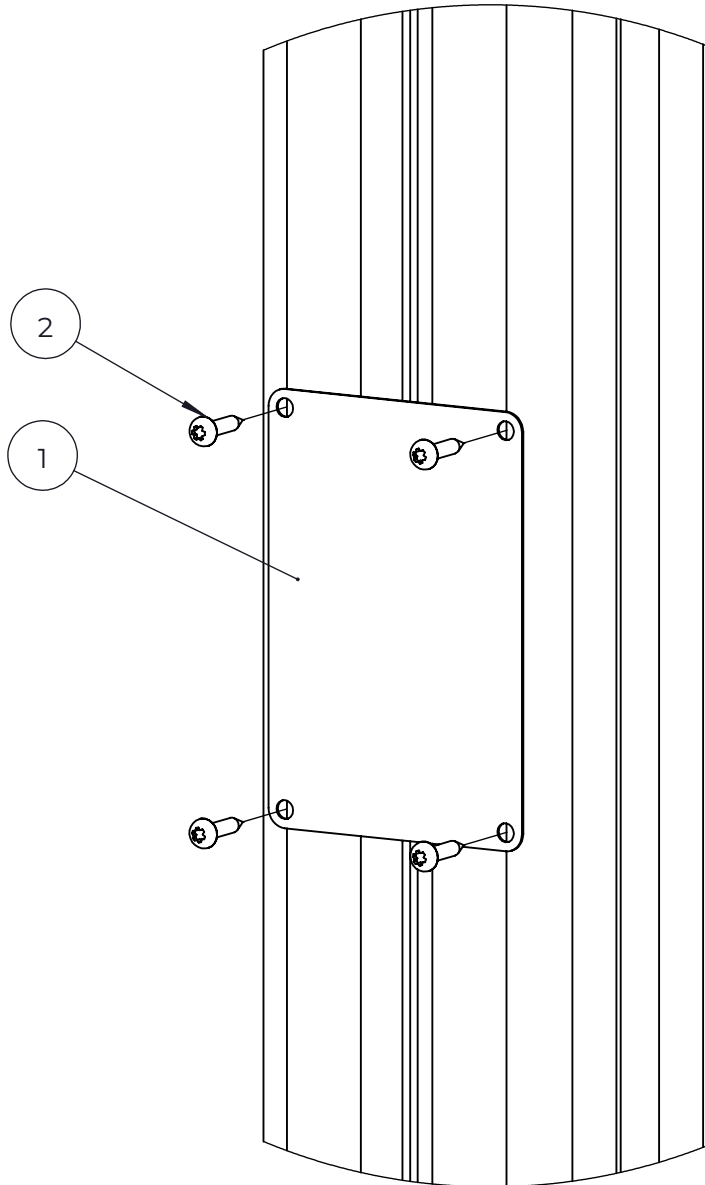




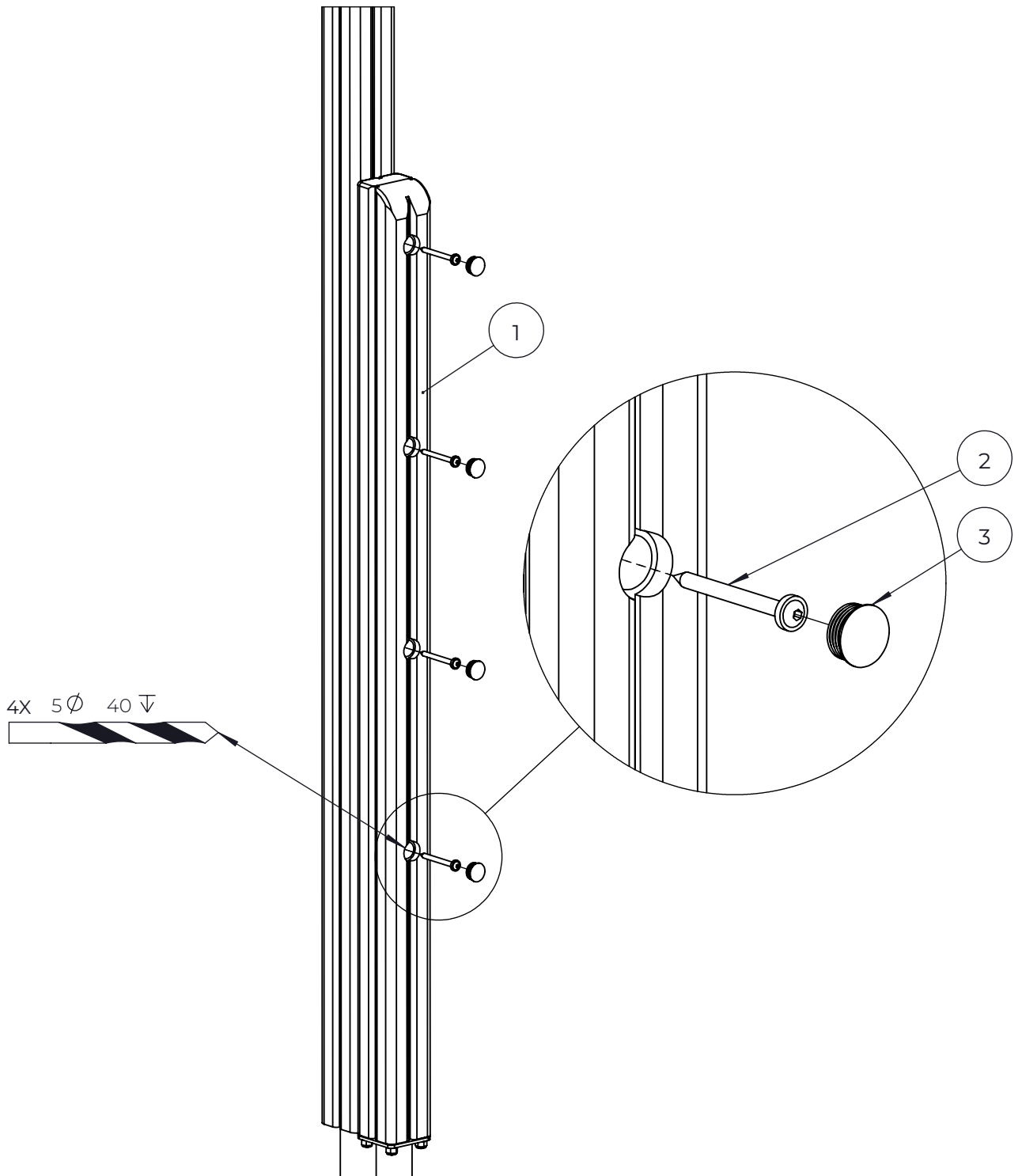
NO.	ITEM CODE			QTY.
1	980131	SCREW	Ø6x60	2
2	915379	TOP HAT COVER	67,5x67,6x34	1
3	915378	TOP HAT BASE	95x95x60	1



NO.	ITEM CODE			QTY.
1	702286	PRINTED LABEL	65x65	1
2	980114	SCREW	Ø4x20	4



NO.	ITEM CODE			QTY.
1	702339	PRINTED LABEL	118x78	1
2	980114	SCREW	Ø4x20	4



NO.	ITEM CODE			QTY.
1	713033	POST	93x93x1650	1
2	903093	SPECIAL SCREW	Ø8x90	4
3	905103	INSIDE PLUG	PT-28/32-H	4