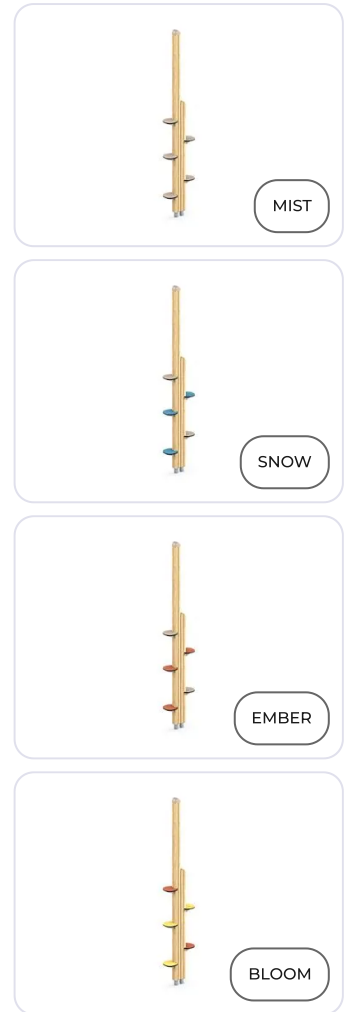




Configurable

MEADOW



MIST

SNOW

EMBER

BLOOM

Loppan Climbing Frame

Prime , F24805M

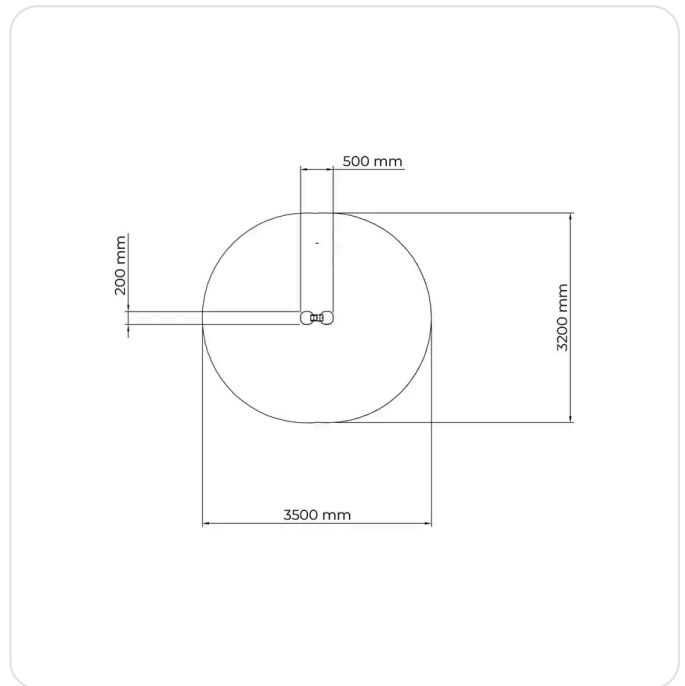
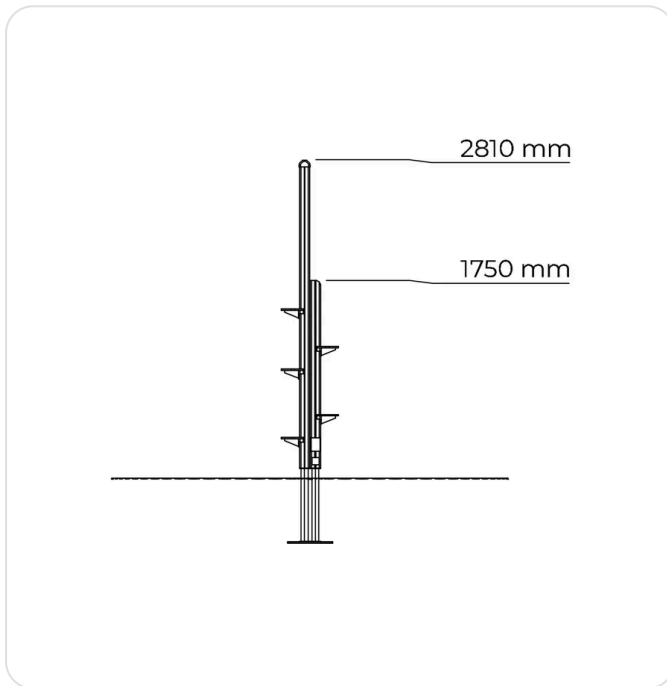
Loppan Climbing Post is 2810 mm high play equipment with 5 HPL-steps. Climbing develops the climbers' fitness and motor skills. The product is manufactured from locally sourced nordic pine. The HPL elements can be configured to five different color themes - Bloom, Meadow, Ember, Snow and Mist. The wood elements are available in Natural Tone, Premium Brown and Platinum Grey. The product is manufactured from locally sourced PEFC-certified nordic pine.

Basic information

User Age	4+
Number of Users	2
Safety Standard	EN 1176-1:2017

Technical information

Amount of Concrete, m ³	0.05	Impact Area, m ²	9
Largest Part, mm	2650	Max Free Fall Height, PLAY, mm	1750
Netto Weight, Total Shipping Weight, kg	50.446	Minimum Space/Height, mm	3550
Foundation Type	Deep mounting, Surface mounting	Safety Area, Length, mm	3500
Heaviest part, kg	11	Width, mm	200
Falling Space, Length, mm	3500	Falling Space, Width, mm	3200
Falling Space, m ²	9	Length, mm	500
Height, mm	2810	Safety Area, Width, mm	3200



[Installation instructions: https://lap-integrations-prod.azurewebsites.net/api/pim/installation-instructions?productN...](https://lap-integrations-prod.azurewebsites.net/api/pim/installation-instructions?productN...)

[Read more about installation: https://www.lappset.com/en-GB/playground-installation](https://www.lappset.com/en-GB/playground-installation)

General warranty information

- **20 years:** Steel components and high-pressure laminate (HPL)
- **15 years:** Wooden posts
- **10 years:** Surface finish of steel and aluminum, and hot-dip galvanized surface treatment
- **10 years:** Guaranteed availability of spare parts
- The general warranty terms do not apply to third-party products.
- This overview covers the main warranty periods for Lappset's key materials.

For full details and specific terms or limitations, please see the complete warranty conditions [here](#).

Read more about warranty: <https://www.lappset.com/en-GB/warranty>

Wooden posts

- Premium brown
- Platinum grey
- Preserved pine, natural tone

Walls/HPL parts

- Lemonade yellow RAL 1018
- Lake blue RAL 5009
- Terracotta red RAL 8004
- Moss green RAL 6021
- Platinum grey NCS S4005-Y50R