

## Arto Balancing Step

Prime , F24807M

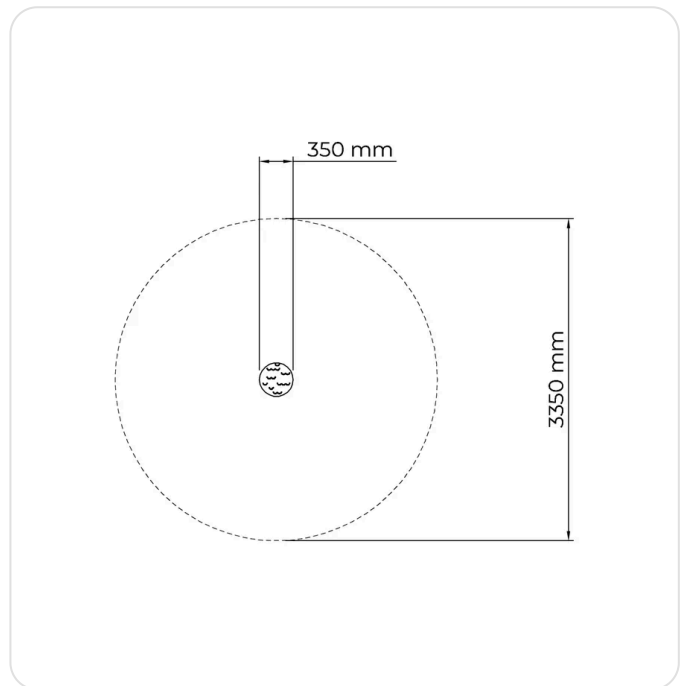
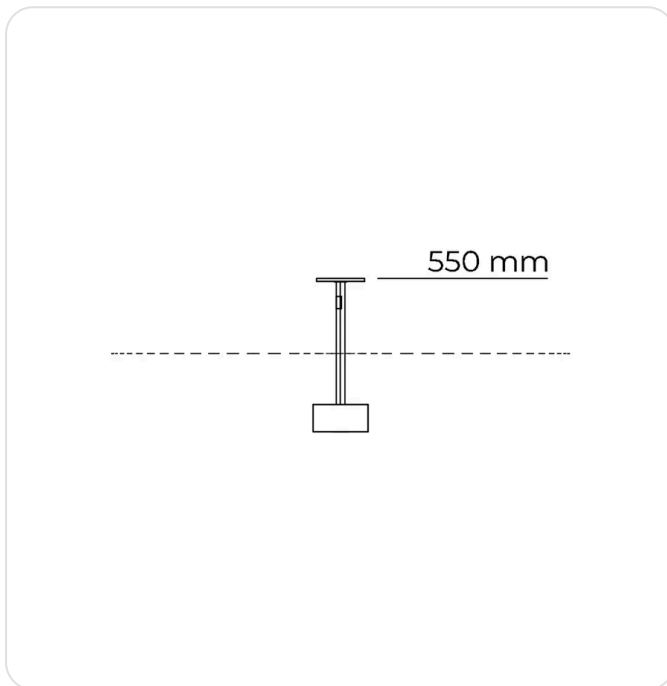
Arto Balancing Step brings movement, balance and challenge to ground-level play. Children aged 3 or more can step, hop, or crawl along the fun path. Building coordination, motor skills, and confidence with every move. The low profile and fall height make it especially suitable for early learners exploring movement at their own pace. Balancing steps fits well in outdoor places like schoolyards, parks, and early childhood centres, especially when combined together with other low level balancing solutions.

### Basic information

User Age	3+
Number of Users	1
Safety Standard	EN 1176-1:2017

## Technical information

Amount of Concrete, m <sup>3</sup>	0.032	Height, mm	550
Largest Part, mm	1100	Max Free Fall Height, PLAY, mm	550
Netto Weight, Total Shipping Weight, kg	6.851	Minimum Space/Height, mm	2550
Foundation Type	Deep mounting, Surface mounting	Width, mm	350
Heaviest part, kg	4.1	Falling Space, Width, mm	3350
Falling Space, Length, mm	3350	Length, mm	350
Falling Space, m <sup>2</sup>	9		



[Installation instructions: https://lap-integrations-prod.azurewebsites.net/api/pim/installation-instructions?productN...](https://lap-integrations-prod.azurewebsites.net/api/pim/installation-instructions?productN...)

[Read more about installation: https://www.lappset.com/en-GB/playground-installation](https://www.lappset.com/en-GB/playground-installation)

## General warranty information

- **20 years:** Steel components and high-pressure laminate (HPL)
- **15 years:** Wooden posts
- **10 years:** Surface finish of steel and aluminum, and hot-dip galvanized surface treatment
- **10 years:** Guaranteed availability of spare parts
- The general warranty terms do not apply to third-party products.
- This overview covers the main warranty periods for Lappset's key materials.

For full details and specific terms or limitations, please see the complete warranty conditions [here](#).

Read more about warranty: <https://www.lappset.com/en-GB/warranty>

### Metal parts

- Platinum grey NCS  
S4005-Y50R

### Walls/HPL parts

- Platinum grey NCS  
S4005-Y50R
- Lake blue RAL 5009
- Lemonade yellow RAL  
1018
- Bubblegum pink
- Terracotta red RAL 8004